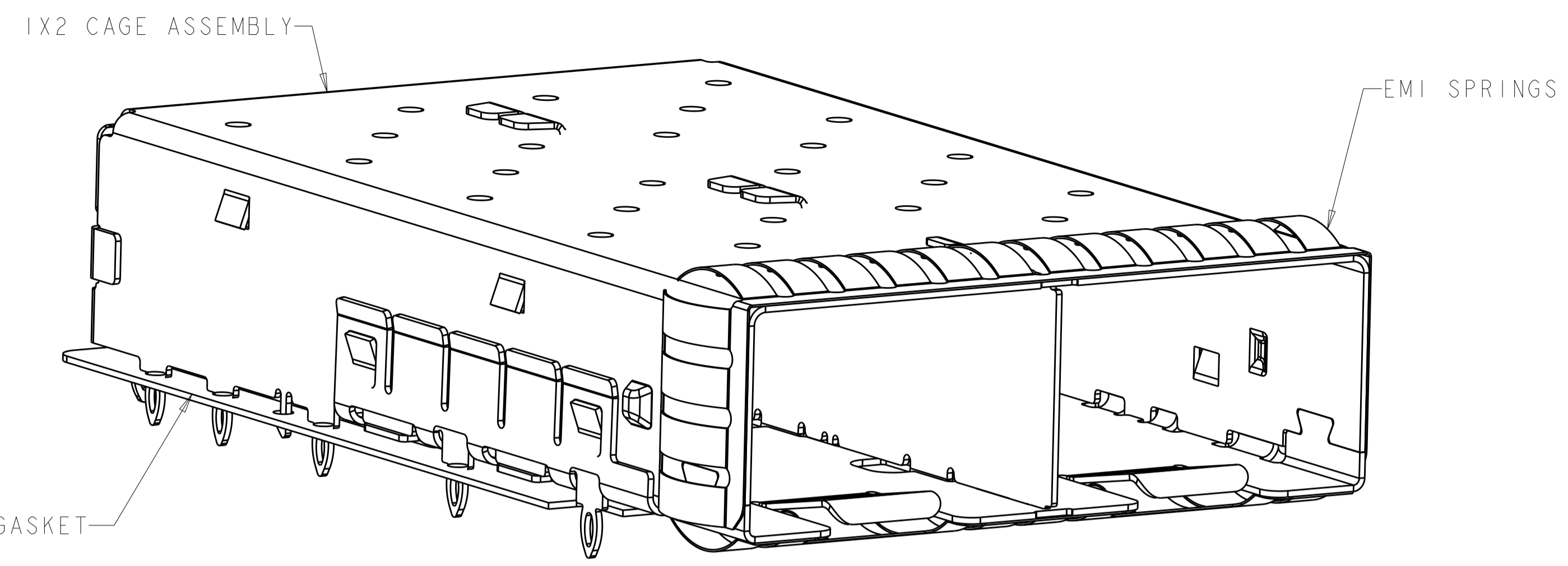
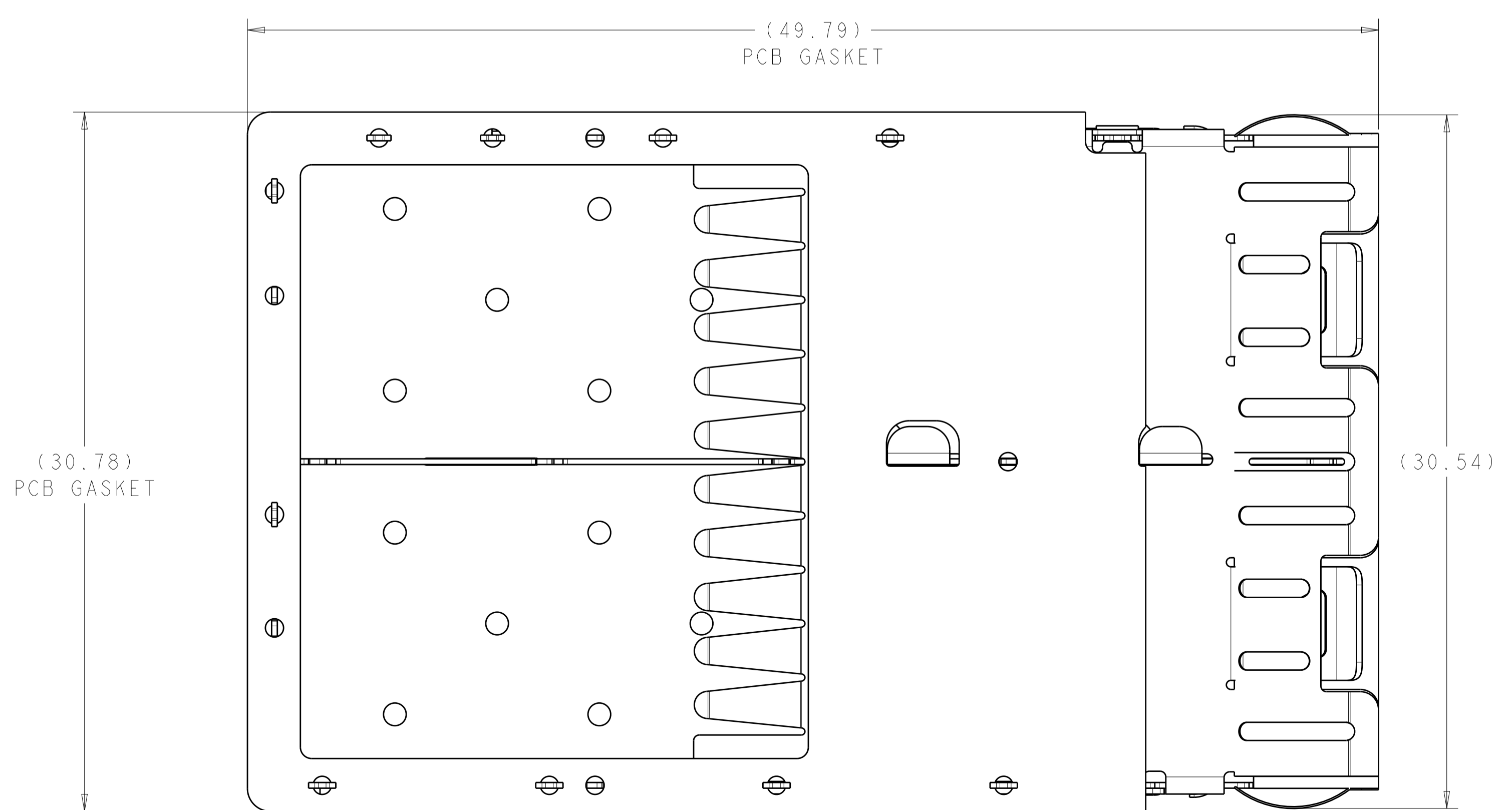
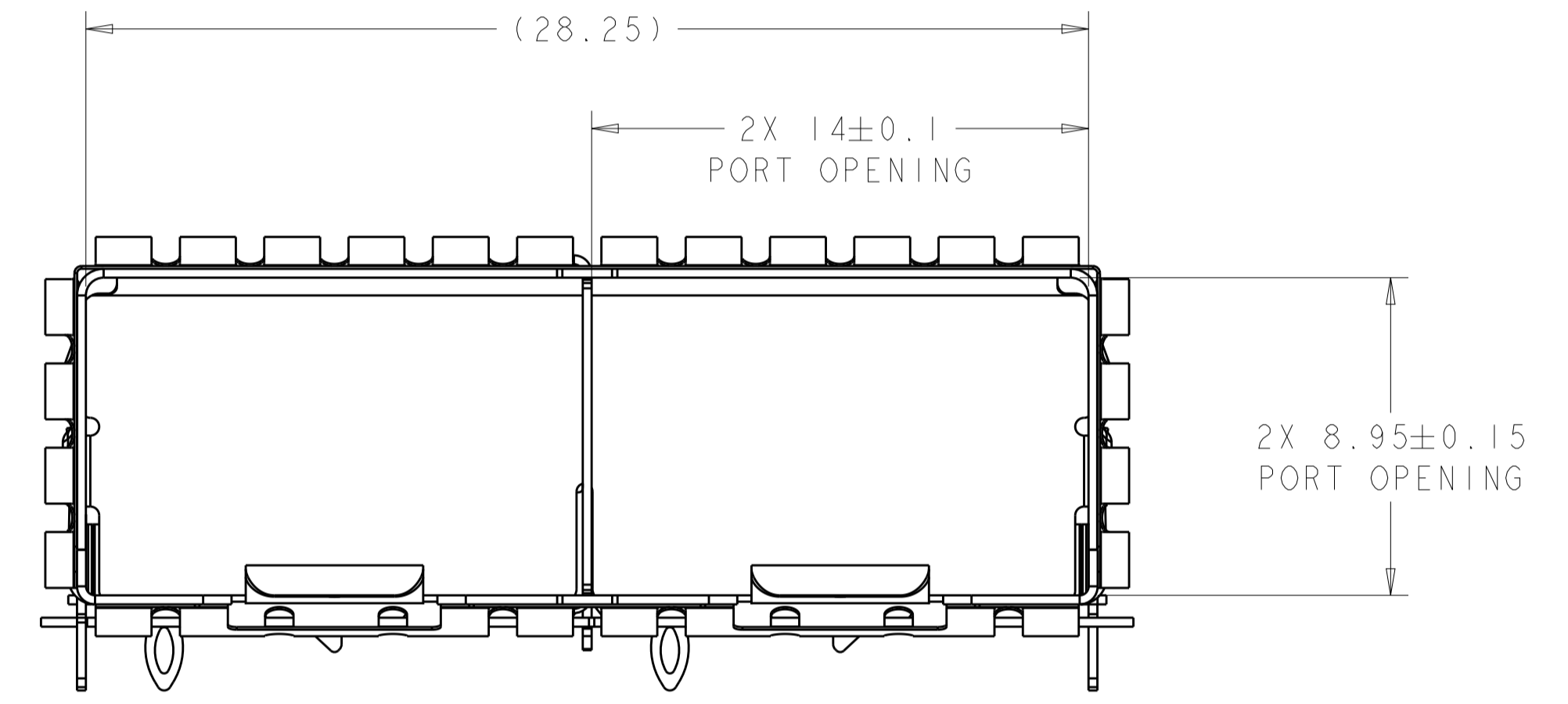
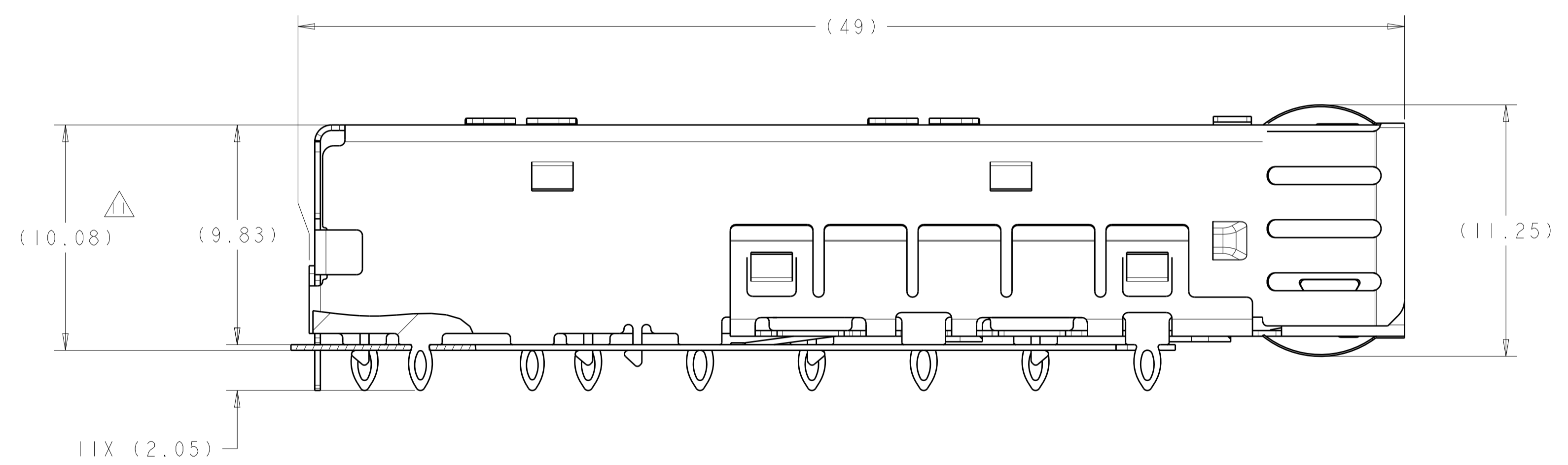


LOC	DIST	REVISIONS					
GP	00	P	LTN	DESCRIPTION	DATE	DWN	APVD
		A		REVISED PER ECO-15-002647	05MAR2015	AP	MS
		B		REVISED PER ECO-16-014593	13FEB2017	JW	SH



2227728-1



- 1. MATERIAL:
 CAGE ASSEMBLY: NICKEL SILVER ALLOY
 EMI SPRINGS: COPPER ALLOY
 PCB GASKET: RF ABSORBER
- 2. MINIMUM PC BOARD THICKNESS:
 SINGLE SIDED = 1.45mm
 BELLY TO BELLY = 2.25mm
- 3. PADS AND VIAS CHASSIS GROUND
- 4. DATUM AND BASIC DIMENSION ESTABLISHED BY CUSTOMER
- 5. MATES WITH SFP MSA COMPLIANT TRANSCEIVERS
- 6. INTERPRETATION OF DATUM REFERENCE FRAME IN ACCORDANCE WITH SECT 4.4.1.1 OF ASME Y14.5M-1994
- 7. REFERENCE APPLICATION SPEC. 114-13120, HOLE A, FOR RECOMMENDED DRILL HOLE DIAMETER AND PLATING THICKNESS
- 8. REFERENCE APPLICATION SPEC. 114-13120, HOLE B, FOR RECOMMENDED DRILL HOLE DIAMETER AND PLATING THICKNESS
- 9. HOLE PATTERN REPEATS FOR EACH PORT, SPACING BETWEEN PORTS IS 14.25mm
- 10. PRODUCT COMPLIES WITH SPECIFICATION SFF-8433, IMPROVED PLUGGABLE FORM FACTOR FOR SFP+ GANGED CAGES
- 11. CONTACT STANDOFF WILL PIERCE GASKET WHEN PROPERLY PRESSED INTO PCB.

NO	2227728-3
YES	2227728-1
PCB GASKET	PART NUMBER

THIS DRAWING IS A CONTROLLED DOCUMENT.

OWN: M.E. CONNER 08FEB2013
 CHK: M.D. MORRISON 08FEB2013
 APVD: M.J. PHILLIPS 08FEB2013

STE TE Connectivity

NAME: CAGE ASSEMBLY WITH EMI SPRINGS, PRESS-FIT, 1X2, zSFP+

PRODUCT SPEC: 108-2364
 APPLICATION SPEC: 114-13120

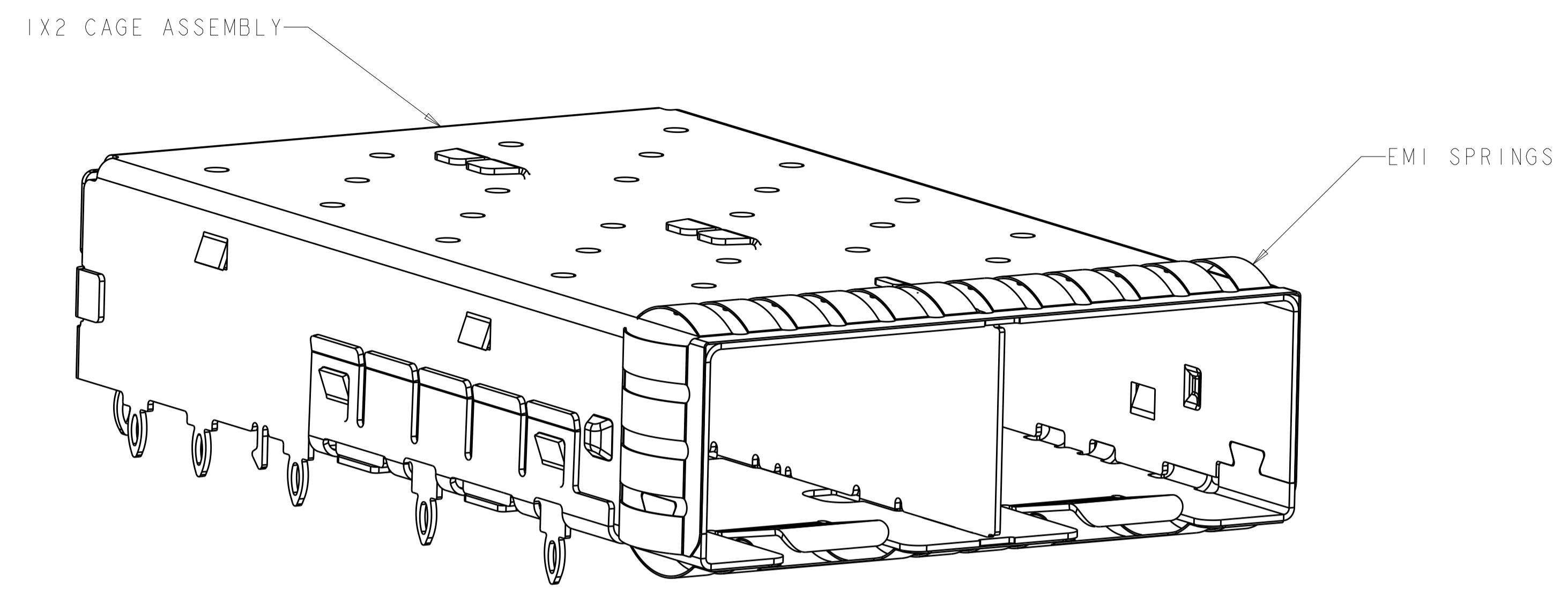
SIZE: A1
 CAGE CODE: 00779
 DRAWING NO: 2227728

RESTRICTED TO: -

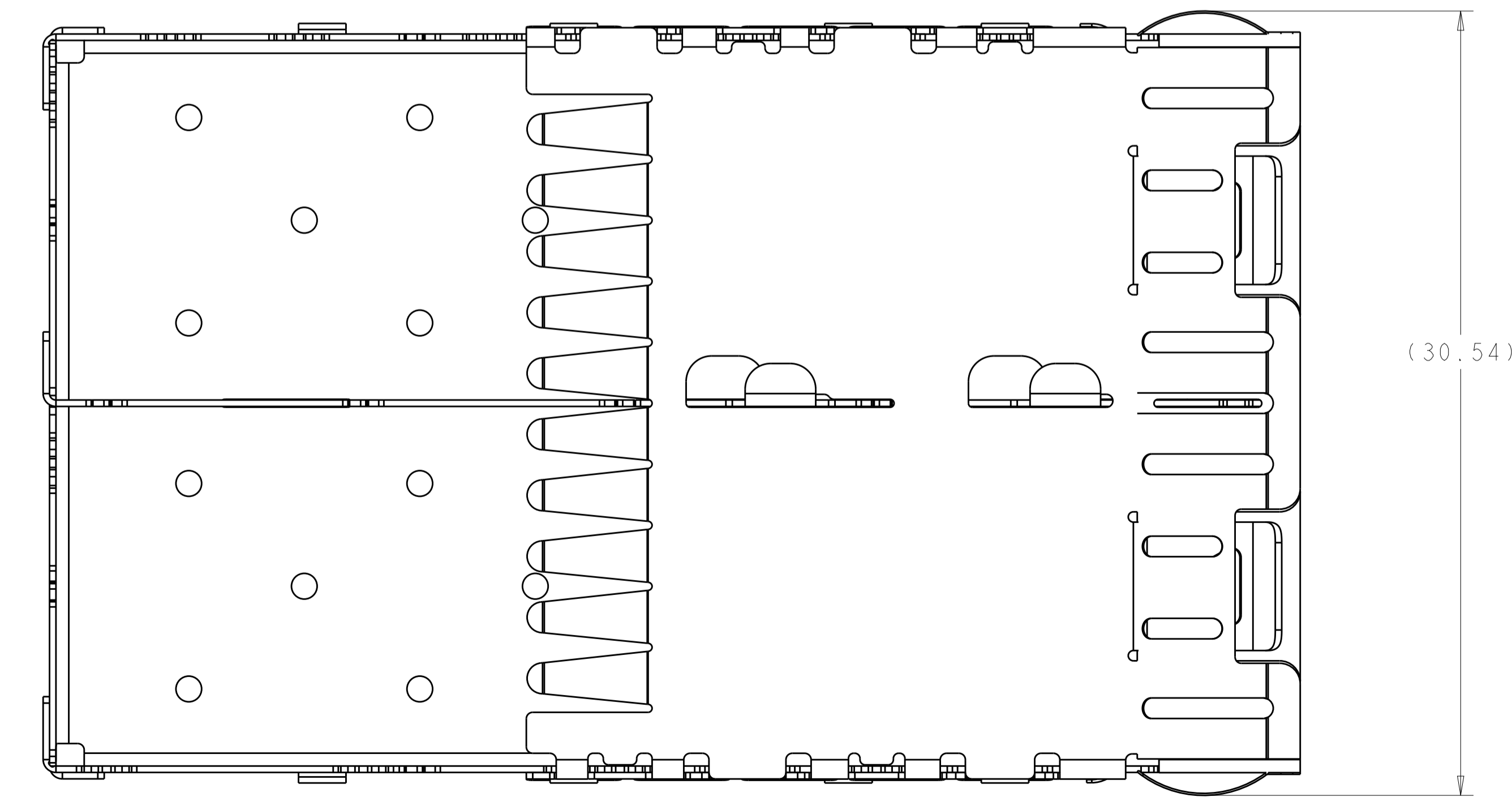
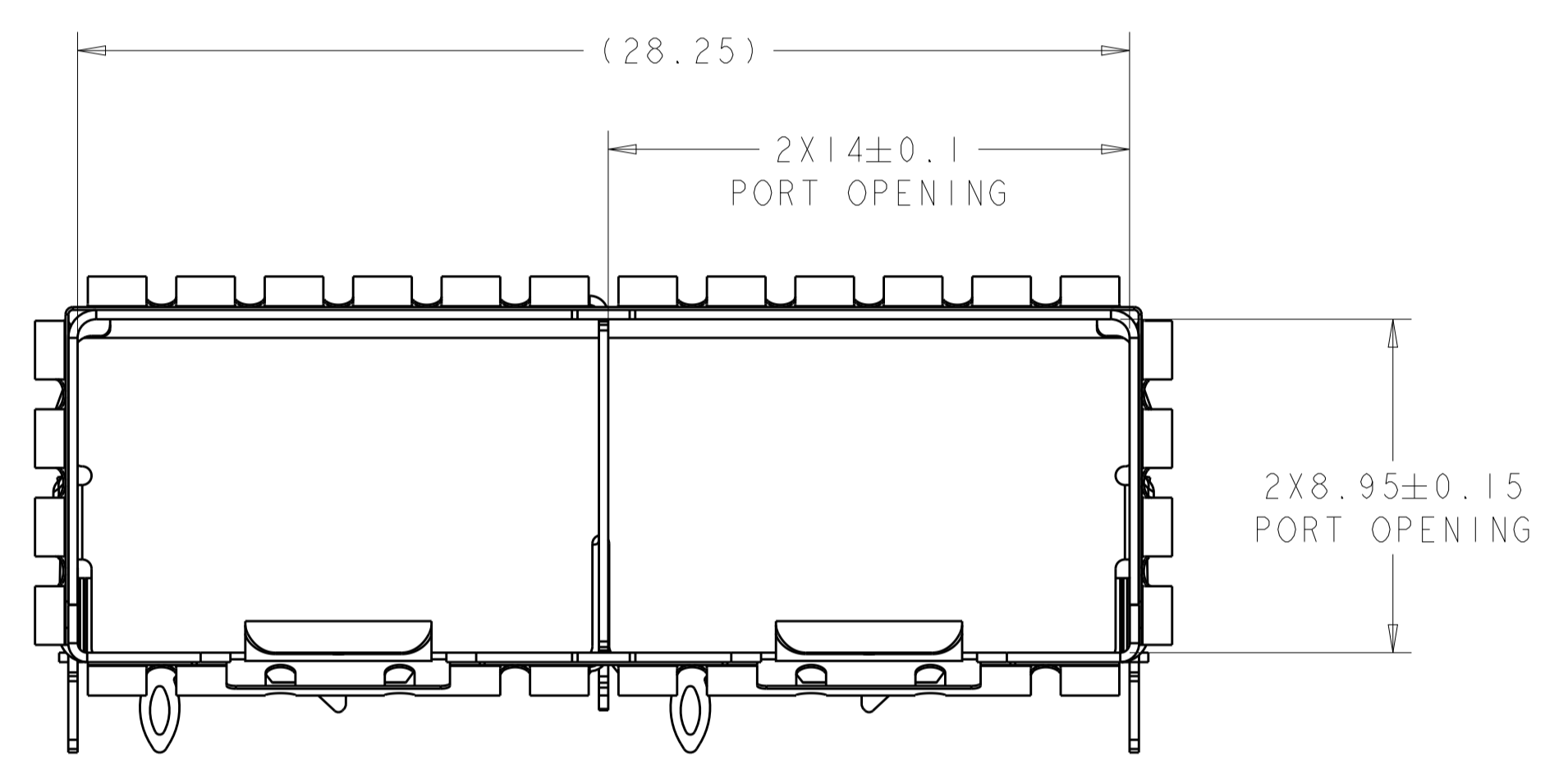
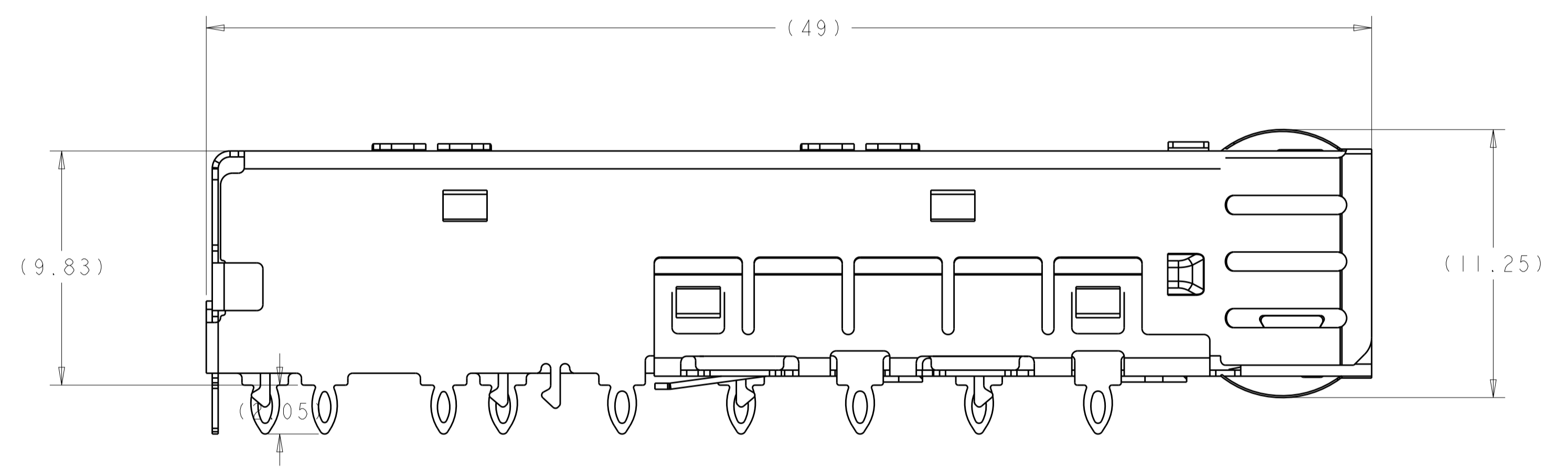
MATERIAL: SEE NOTES
 FINISH: SEE NOTES

Customer Drawing SCALE: 6:1 SHEET 1 OF 5 REV B

LOC	DIST	REVISIONS			
P	LTN	DESCRIPTION	DATE	DWN	APVD
GP	00	-	SEE SHEET 1		

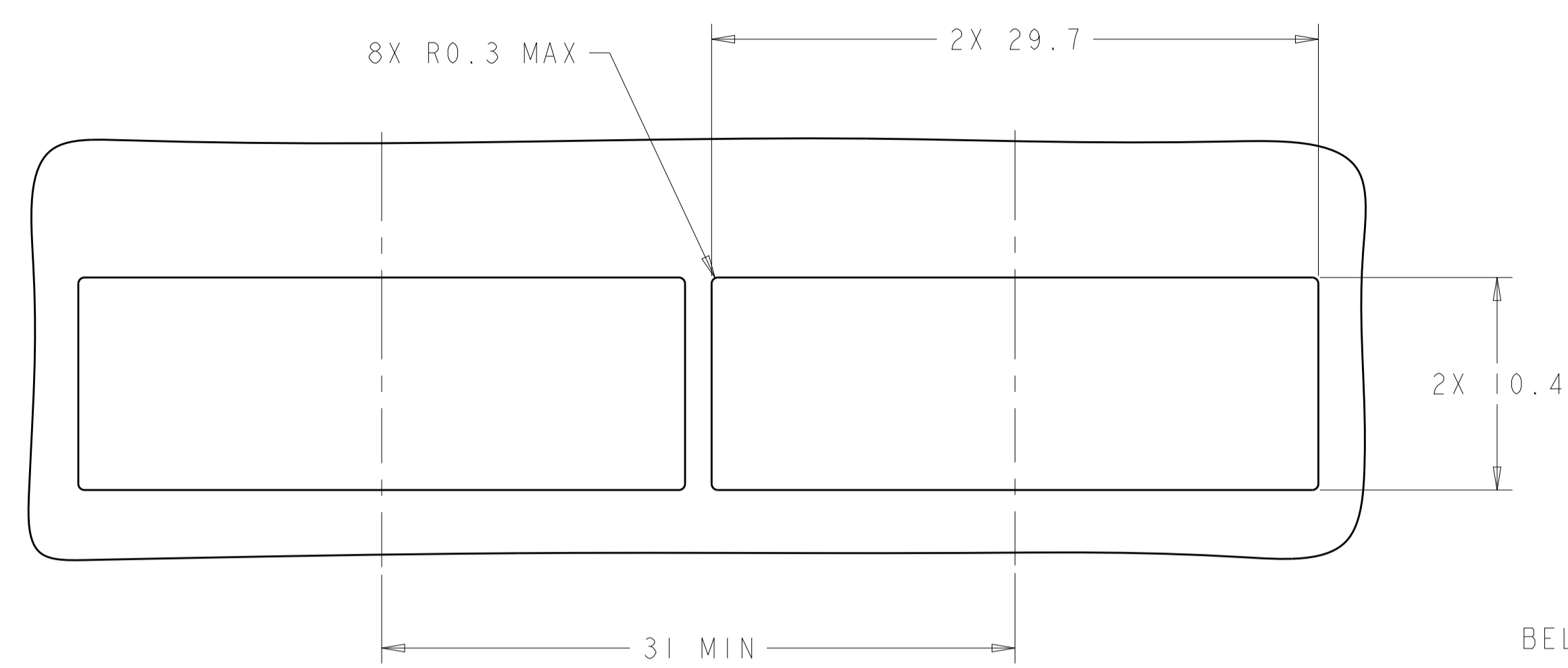


2227728-3

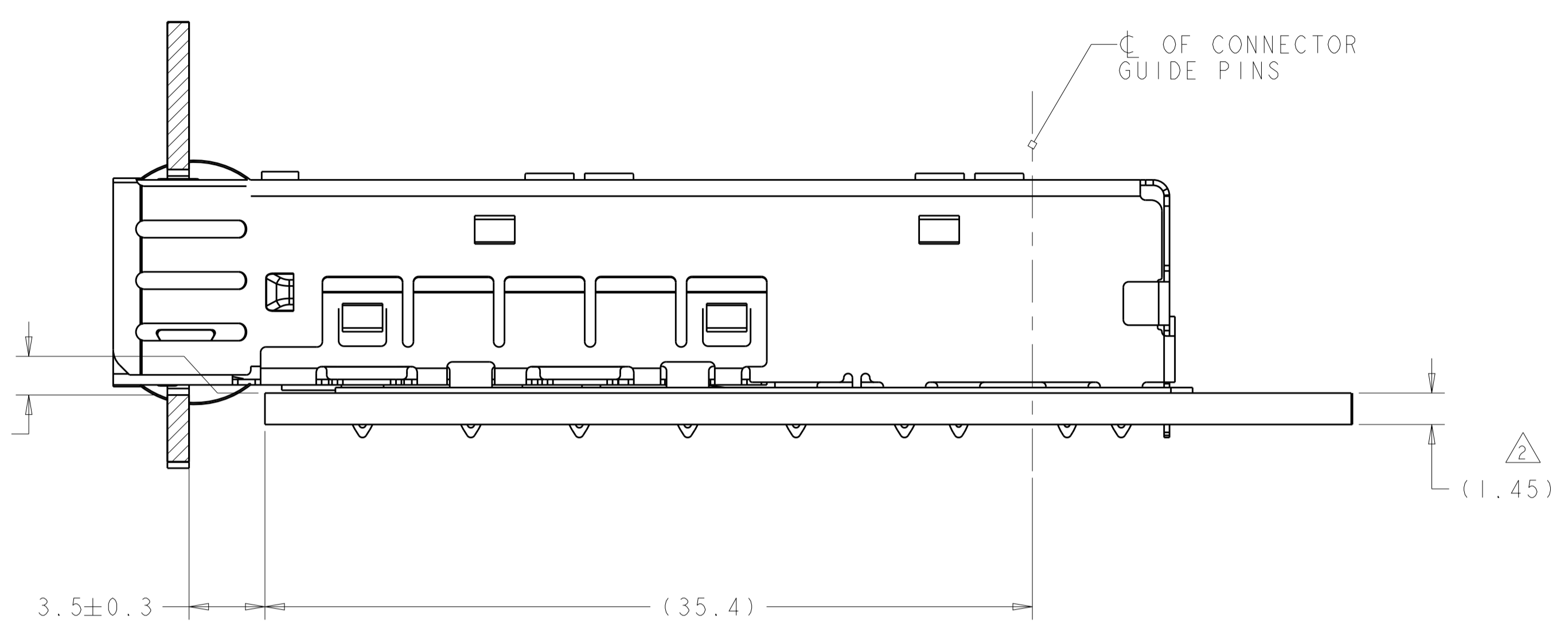


THIS DRAWING IS A CONTROLLED DOCUMENT.		DWN: M.E. CONNER 08FEB2013	
DIMENSIONS: mm		CHK: M.D. MORRISON 08FEB2013	
TOLERANCES UNLESS OTHERWISE SPECIFIED:		APVD: M.J. PHILLIPS 08FEB2013	NAME: CAGE ASSEMBLY WITH EMI SPRINGS, PRESS-FIT, 1X2, zSFP+
0 PLC ±0.25 1 PLC ±0.25 2 PLC ±0.25 3 PLC ±0.25 4 PLC ±0.25 ANGLES ±0.25°		PRODUCT SPEC: 108-2364	SIZE: A1
MATERIAL: SEE NOTES		APPLICATION SPEC: 114-13120	CAGE CODE: 00779
FINISH: SEE NOTES		WEIGHT: -	DRAWING NO: 2227728
		Customer Drawing	SCALE: 6:1 SHEET 2 OF 5 REV B

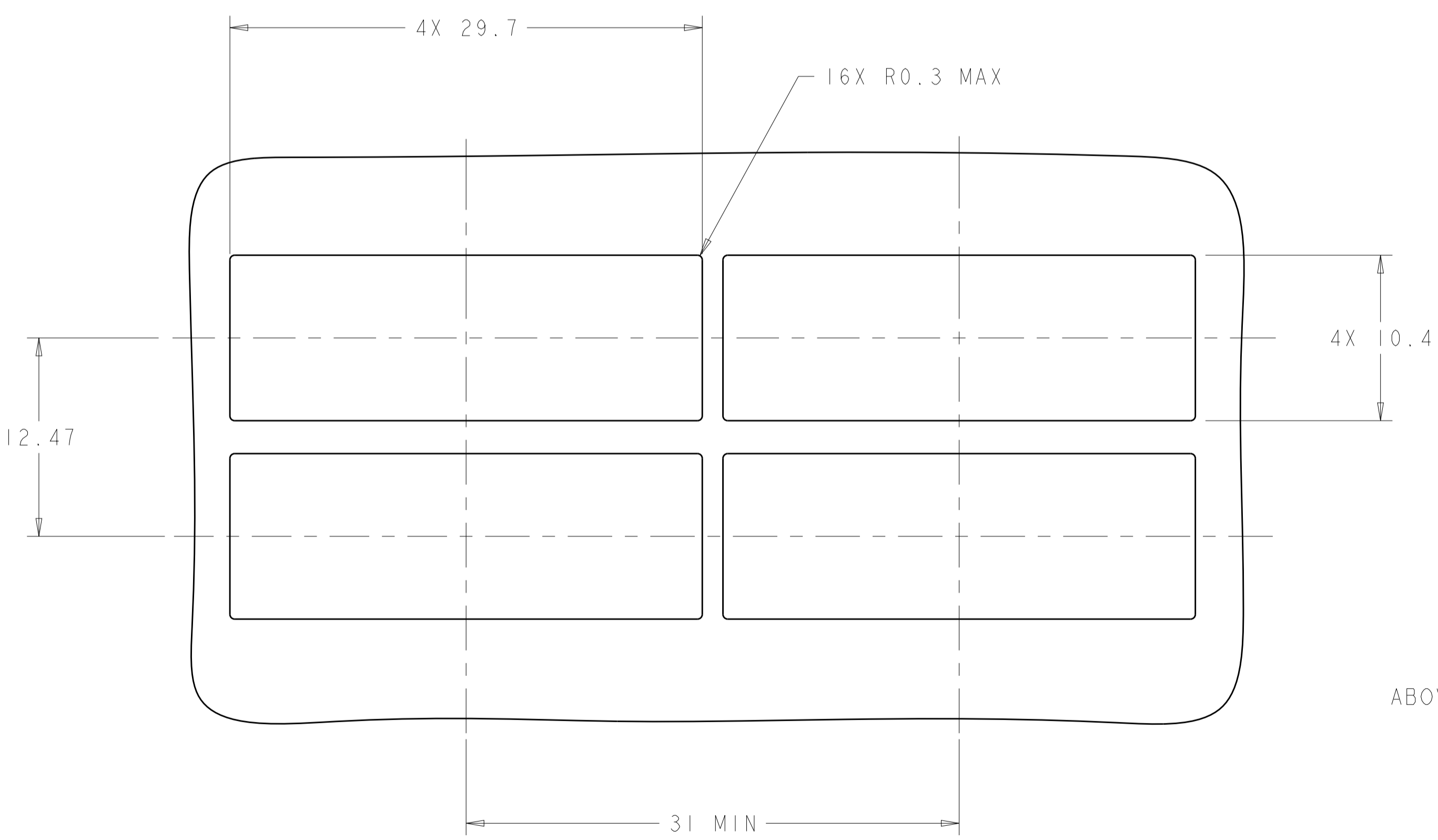
LOC		DIST		REVISIONS			
GP	00	P	LTN	DESCRIPTION	DATE	DMN	APVD
		-		SEE SHEET 1	-	-	-



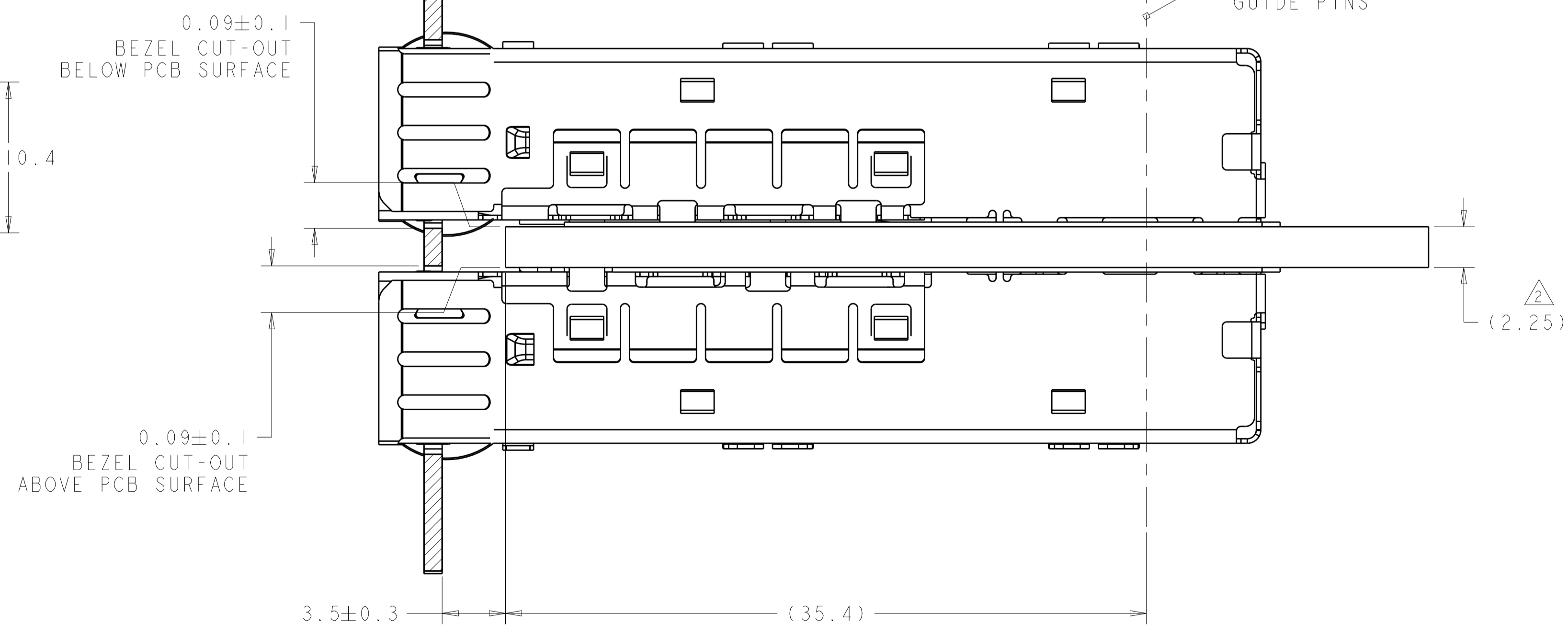
RECOMMENDED BEZEL CUT-OUT
 SINGLE SIDED APPLICATIONS
 SCALE 4:1



MOUNTED ON PC BOARD
 SHOWN THRU RECOMMENDED BEZEL
 SCALE 5:1



RECOMMENDED BEZEL CUT-OUT
 BELLY TO BELLY APPLICATIONS
 SCALE 4:1

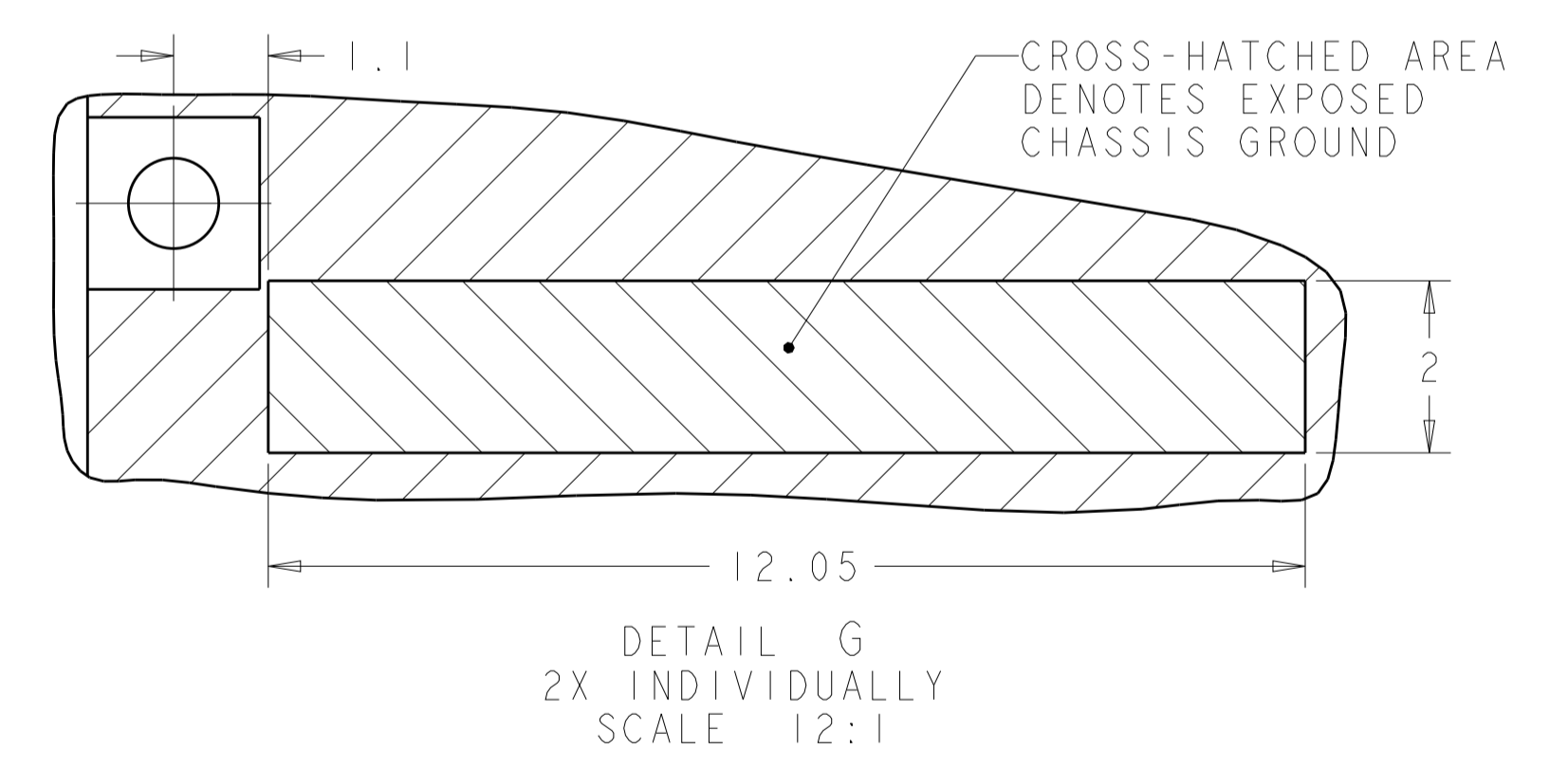
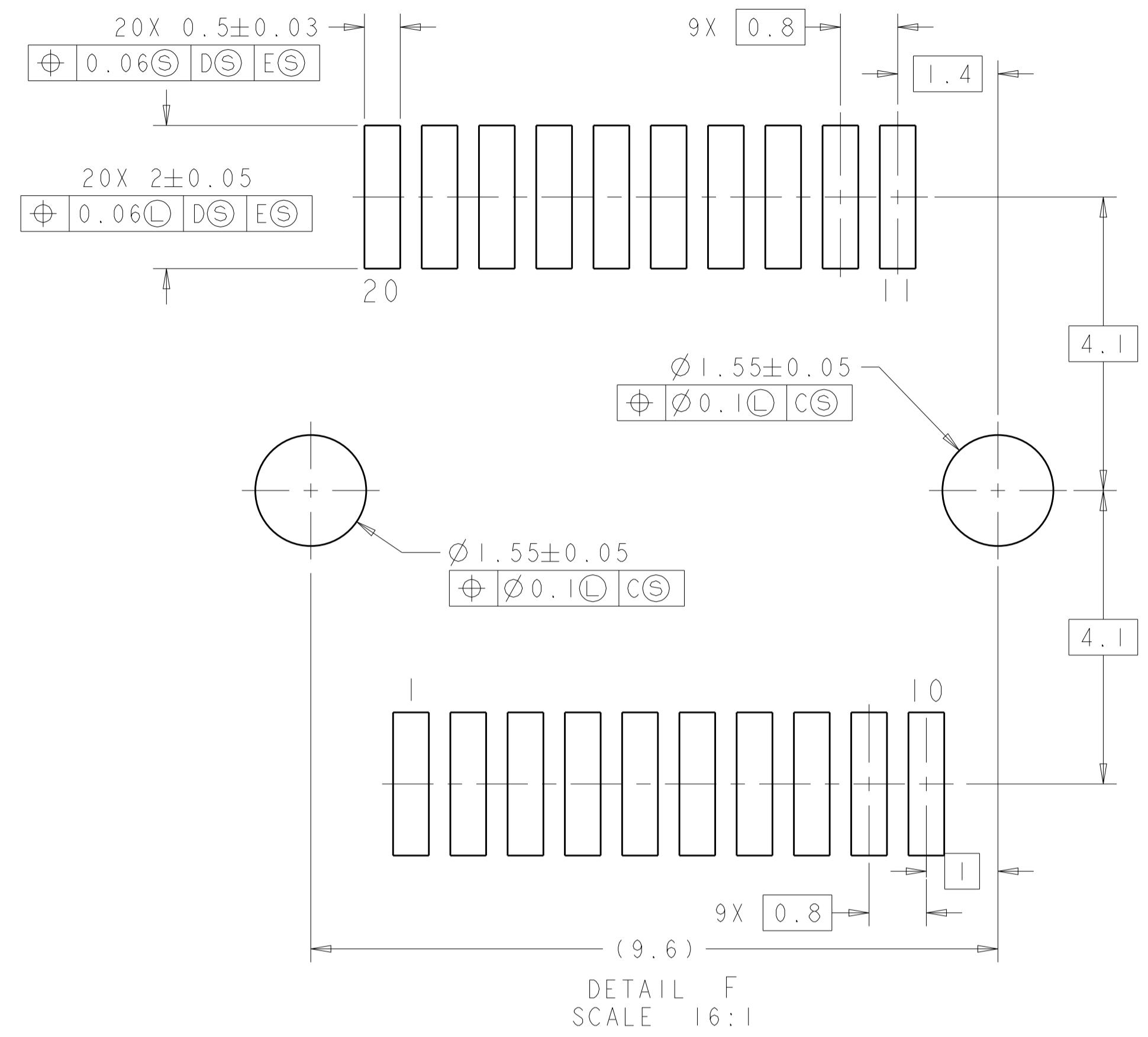
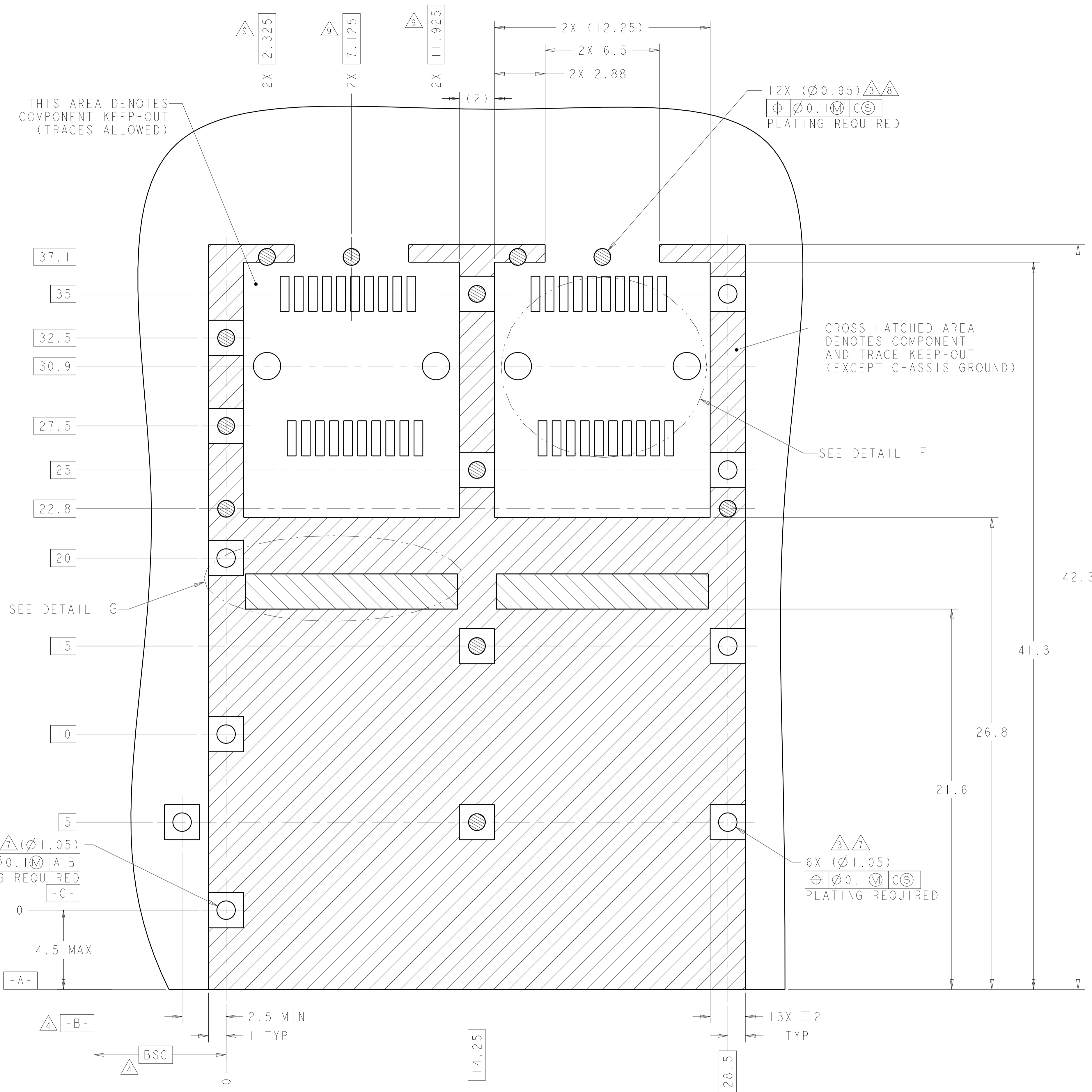


MOUNTED BELLY TO BELLY ON PC BOARD
 SHOWN THRU RECOMMENDED BEZEL
 SCALE 5:1

THIS DRAWING IS A CONTROLLED DOCUMENT.		DMN	M. E. CONNER	08FEB2013	TE Connectivity
DIMENSIONS:		CHK	M. D. MORRISON	08FEB2013	
mm		APVD	M. J. PHILLIPS	08FEB2013	
0 PLC ±0.1 1 PLC ±0.1 2 PLC ±0.08 3 PLC ±0.05 4 PLC ±0.05 ANGLES ±1°		TOLERANCES UNLESS OTHERWISE SPECIFIED:		NAME	
MATERIAL SEE NOTES		FINISH SEE NOTES		PRODUCT SPEC	CAGE ASSEMBLY WITH EMI SPRINGS, PRESS-FIT, 1X2, zSFP+
				APPLICATION SPEC	108-2364
				SIZE	114-13120
				WEIGHT	A100779C=2227728
				Customer Drawing	SCALE 6:1 SHEET 3 OF 5 REV B

LOC	DIST	REV	DATE	BY	APPV
GP	00				

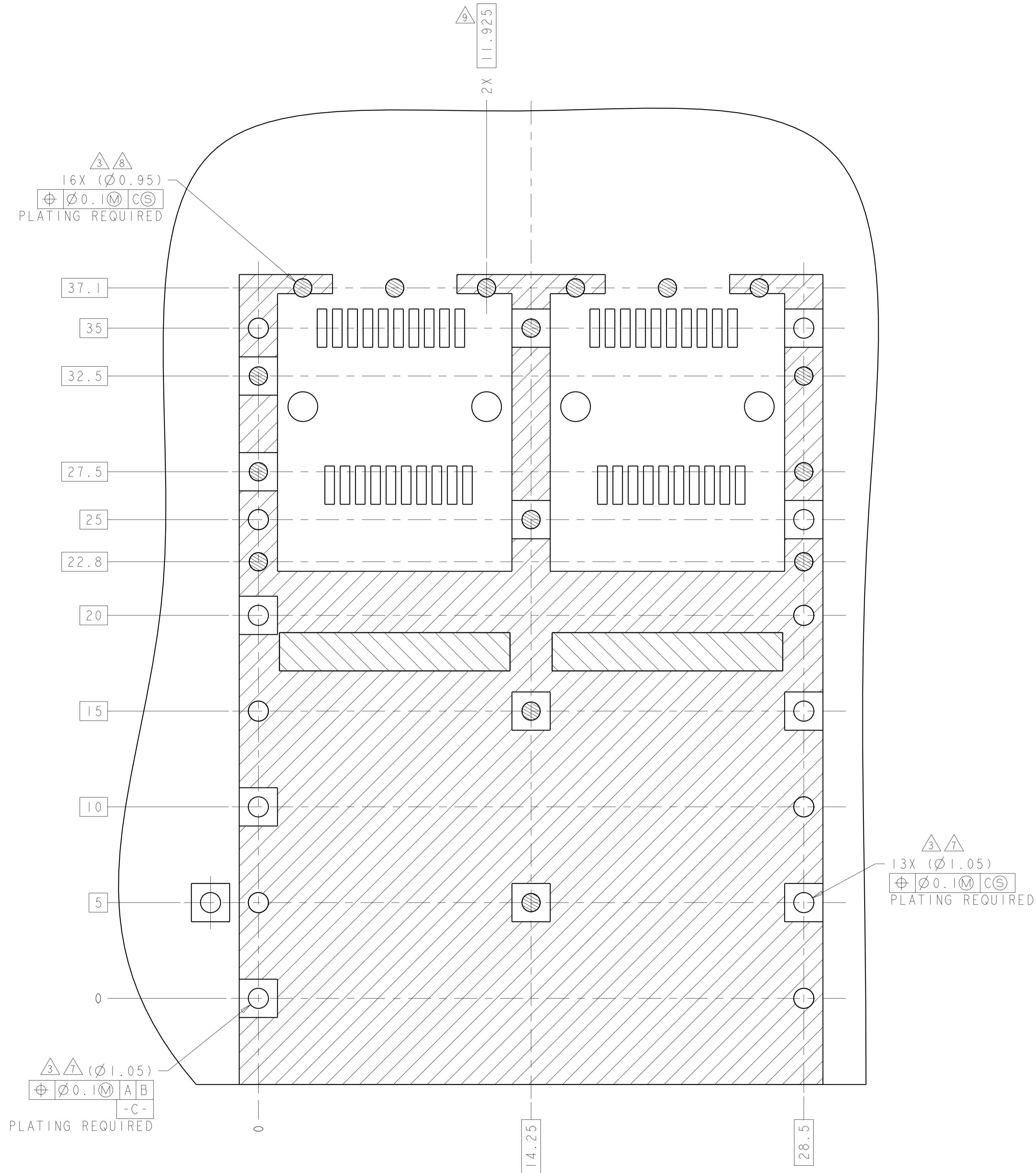
REVISIONS			
REV	DATE	BY	APPV
-	-	-	-
SEE SHEET 1			



RECOMMENDED PCB CONFIGURATION WITH KEEP-OUTS FOR SINGLE SIDE APPLICATIONS SCALE 8:1

THIS DRAWING IS A CONTROLLED DOCUMENT.		OWN: M.E. CONNER 08FEB2013	TE Connectivity
DIMENSIONS: mm		CHK: M.D. MORRISON 08FEB2013	
TOLERANCES UNLESS OTHERWISE SPECIFIED:		APVD: M.J. PHILLIPS 08FEB2013	NAME: CAGE ASSEMBLY WITH EMI SPRINGS, PRESS-FIT, 1X2, zSFP+
0 PLC ±0.1	1 PLC ±0.1	PRODUCT SPEC: 108-2364	SIZE: CAGE CODE DRAWING NO: A100779C=2227728
2 PLC ±0.08	3 PLC ±0.05	APPLICATION SPEC: 114-13120	RESTRICTED TO: -
4 PLC ±0.05	ANGLES ±1°	WEIGHT: -	SCALE: 6:1 SHEET 4 OF 5 REV B
MATERIAL: SEE NOTES	FINISH: SEE NOTES	Customer Drawing	

LOC	DIST	REVISIONS			
P	LTN	DESCRIPTION	DATE	DWN	APVD
-	-	SEE SHEET 1	-	-	-



RECOMMENDED PCB CONFIGURATION
 WITH KEEP-OUTS FOR BELLY TO BELLY APPLICATIONS
 SAME AS SINGLE SIDE APPLICATION, EXCEPT AS SHOWN
 SCALE 8:1

THIS DRAWING IS A CONTROLLED DOCUMENT.		DWN M.E. CONNER 08FEB2013	TE Connectivity
DIMENSIONS: mm		CHK M.D. MORRISON 08FEB2013	
0 PLC ±0.1 1 PLC ±0.1 2 PLC ±0.08 3 PLC ±0.05 4 PLC ±0.05 ANGLES ±1°		APVD M.J. PHILLIPS 08FEB2013	NAME CAGE ASSEMBLY WITH EMI SPRINGS, PRESS-FIT, 1X2, zSFP+
MATERIAL SEE NOTES		PRODUCT SPEC 108-2364	SIZE A100779
FINISH SEE NOTES		APPLICATION SPEC 114-13120	DRAWING NO C=2227728
		WEIGHT -	RESTRICTED TO -
		Customer Drawing	SCALE 8:1 SHEET 5 OF 5 REV B

X-ON Electronics

Largest Supplier of Electrical and Electronic Components

Click to view similar products for [I/O Connectors](#) category:

Click to view products by [TE Connectivity](#) manufacturer:

Other Similar products are found below :

[571763P](#) [72.250.1628.2](#) [72.250.2428.2](#) [74720-0505](#) [76.350.0729.0](#) [76871-1403](#) [FCN-244F080-G/1](#) [FCN-260A9920](#) [MP-5T180MUNNA-005](#)
[PCR-E36PM](#) [PCS-XE26MA+](#) [G38A71314B](#) [1571250010](#) [157-22500-3](#) [MS3471L14-19P L/C](#) [91-569786-35H](#) [172501-4002](#) [172501-6002](#)
[FCN-260C008-A/L0](#) [FCN-260C024-AL0](#) [FCN-261Z008](#) [2000314-1](#) [200331-1](#) [PCR-E36FC+](#) [PCS-E28FS+](#) [PCS-XE26SLFD+](#) [PCS-](#)
[XE26SLFDT+](#) [G730VID08BDC24](#) [U90B2054081210](#) [UE86K842720321](#) [38113800006](#) [DP3AR020WQ1R200](#) [Z4.102.0680.0](#) [500-1040](#)
[500-1052](#) [500-1054](#) [ZP-4008-66L](#) [0709821002](#) [10-565995-597N](#) [DX40-20P\(55\)](#) [5554841-1](#) [U90B3054061110](#) [U65-E04-4020](#)
[ZPF00000000097891](#) [557-262M2-06C](#) [747360449](#) [10099439-003C-TRLF](#) [10137239-0021LF](#) [E9320-001-01](#) [10137239-0011LF](#)