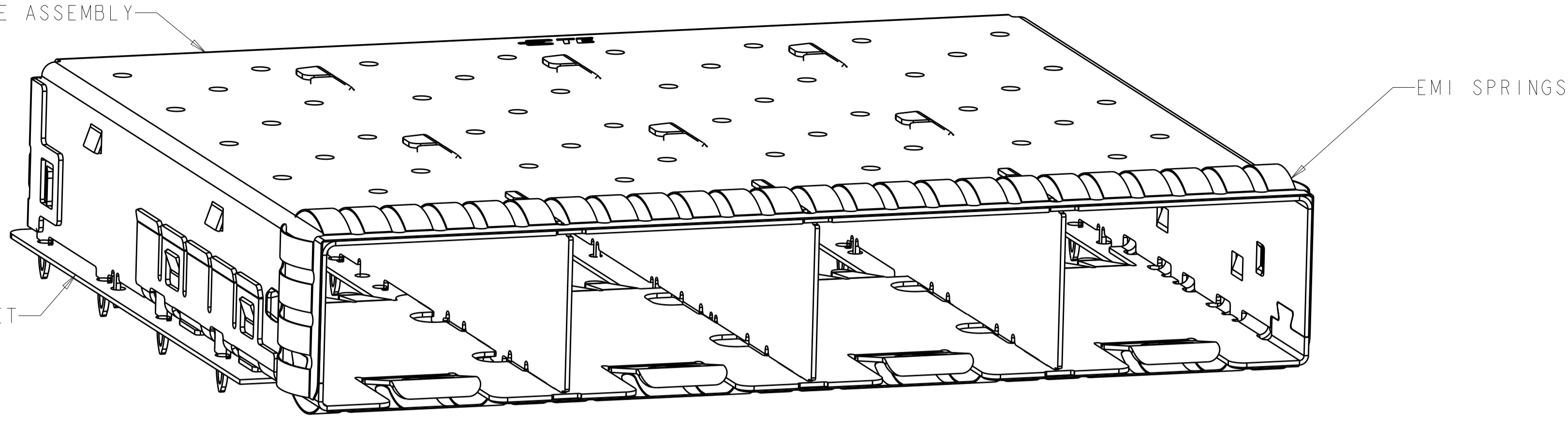


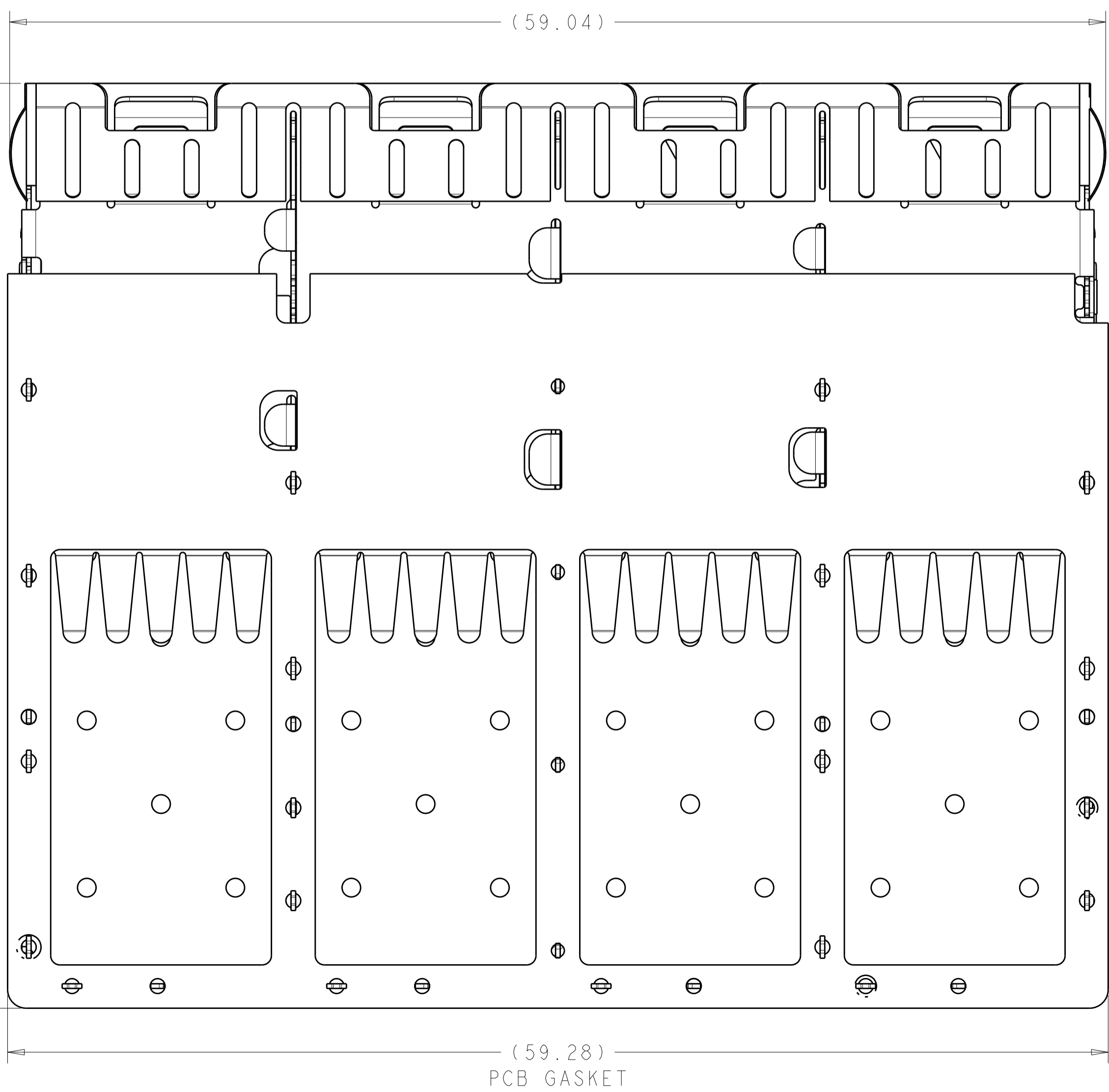
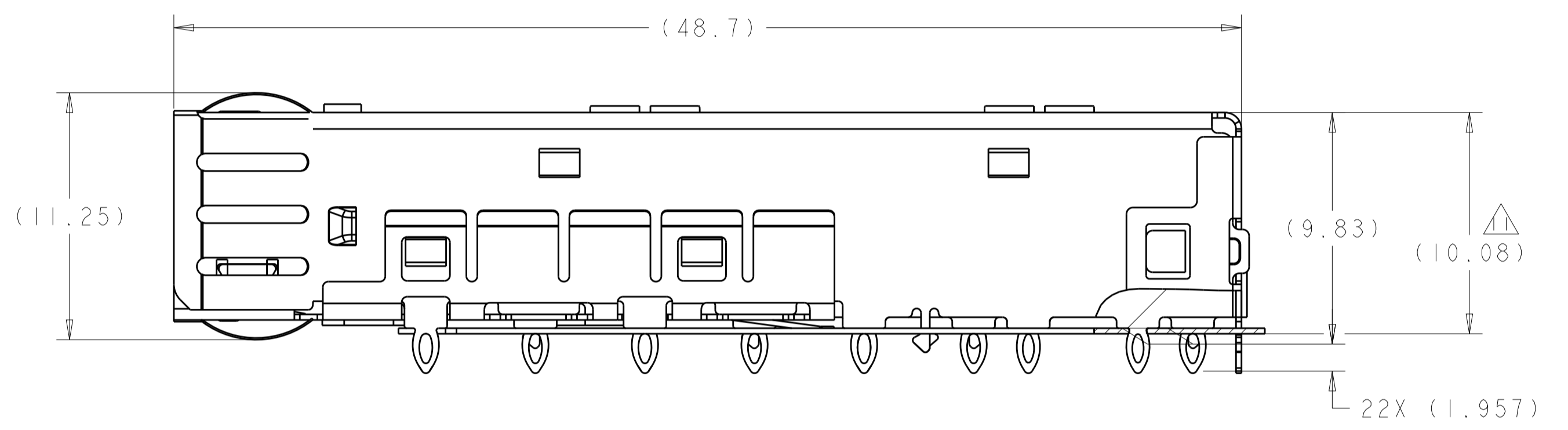
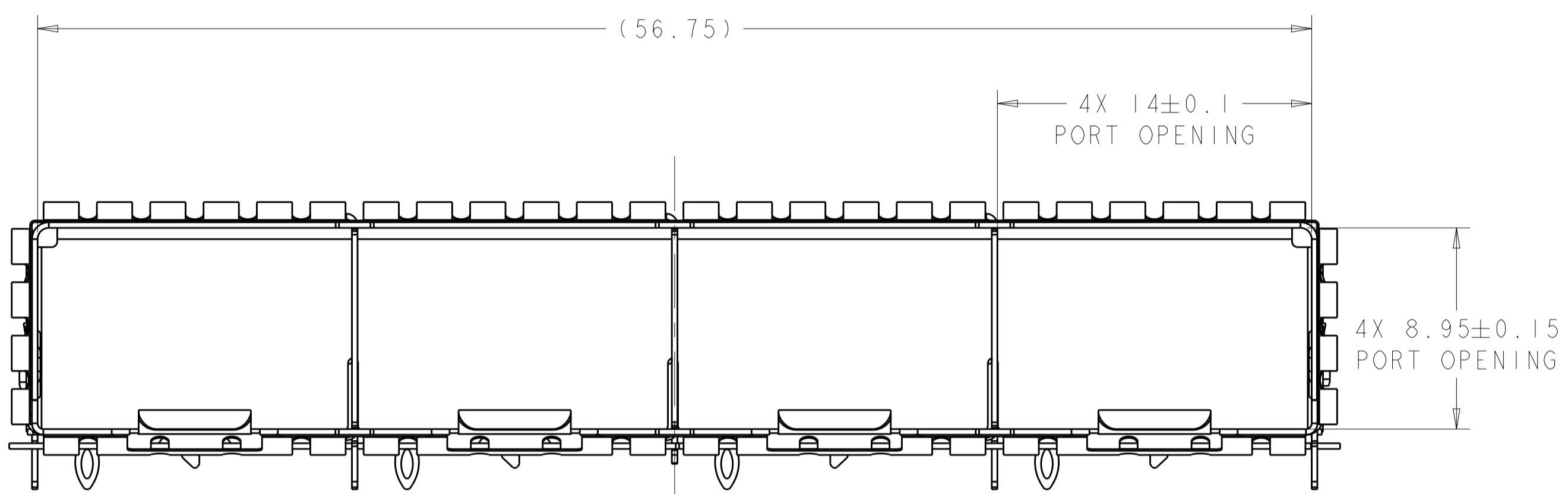
1X4 CAGE ASSEMBLY



PCB GASKET

1. MATERIAL:
 CAGE ASSEMBLY: NICKEL SILVER ALLOY
 EMI SPRINGS: COPPER ALLOY
 PCB GASKET: RF ABSORBER
2. MINIMUM PC BOARD THICKNESS:
 SINGLE SIDED = 1.45mm
 BELLY TO BELLY = 2.25mm
3. PADS AND VIAS CHASSIS GROUND
4. DATUM AND BASIC DIMENSION ESTABLISHED BY CUSTOMER
5. MATES WITH SFP MSA COMPLIANT TRANSCEIVERS
6. INTERPRETATION OF DATUM REFERENCE FRAME IN ACCORDANCE WITH SECT 4.4.1.1 OF ASME Y14.5M-1994
7. REFERENCE APPLICATION SPEC. 114-13120, HOLE A, FOR RECOMMENDED DRILL HOLE DIAMETER AND PLATING THICKNESS
8. REFERENCE APPLICATION SPEC. 114-13120, HOLE B, FOR RECOMMENDED DRILL HOLE DIAMETER AND PLATING THICKNESS
9. HOLE PATTERN REPEATS FOR EACH PORT, SPACING BETWEEN PORTS IS 14.25mm
10. PRODUCT COMPLIES WITH SPECIFICATION SFF-8433, IMPROVED PLUGGABLE FORM FACTOR FOR SFP+ GANGED CAGES
11. CONTACT STANDOFF WILL PIERCE GASKET WHEN PROPERLY PRESSED INTO PCB.

LOC	DIST	REVISIONS				
GP	00	REV	DESCRIPTION	DATE	BY	CHKD
		A	REVISED PER ECO-15-002647	05MAR2015	AP	MS
		B	REVISED PER ECO-16-014593	13FEB2017	JW	SH

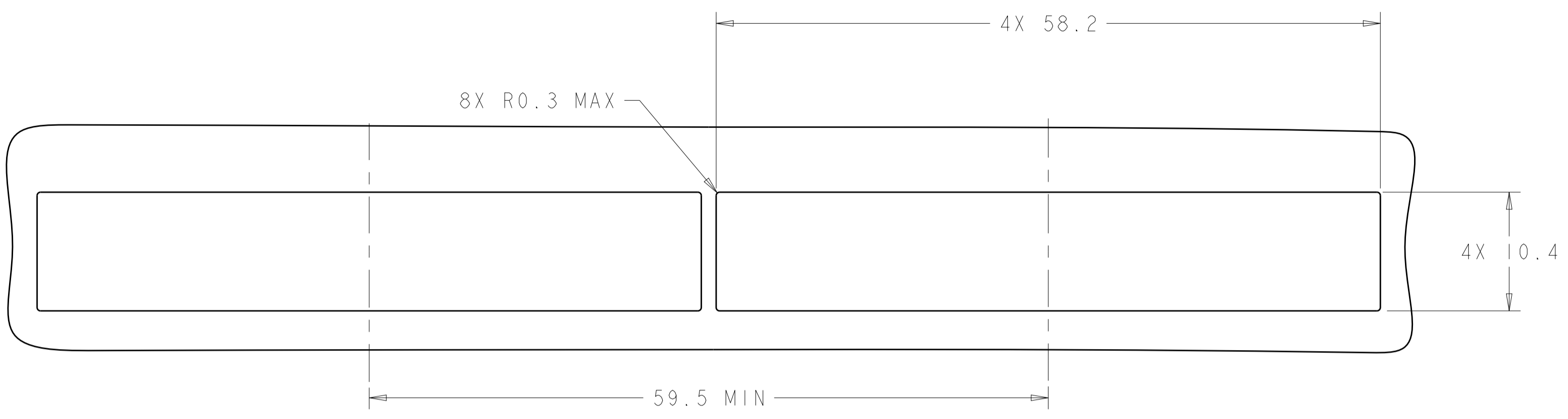


2227730-1
 PART NUMBER

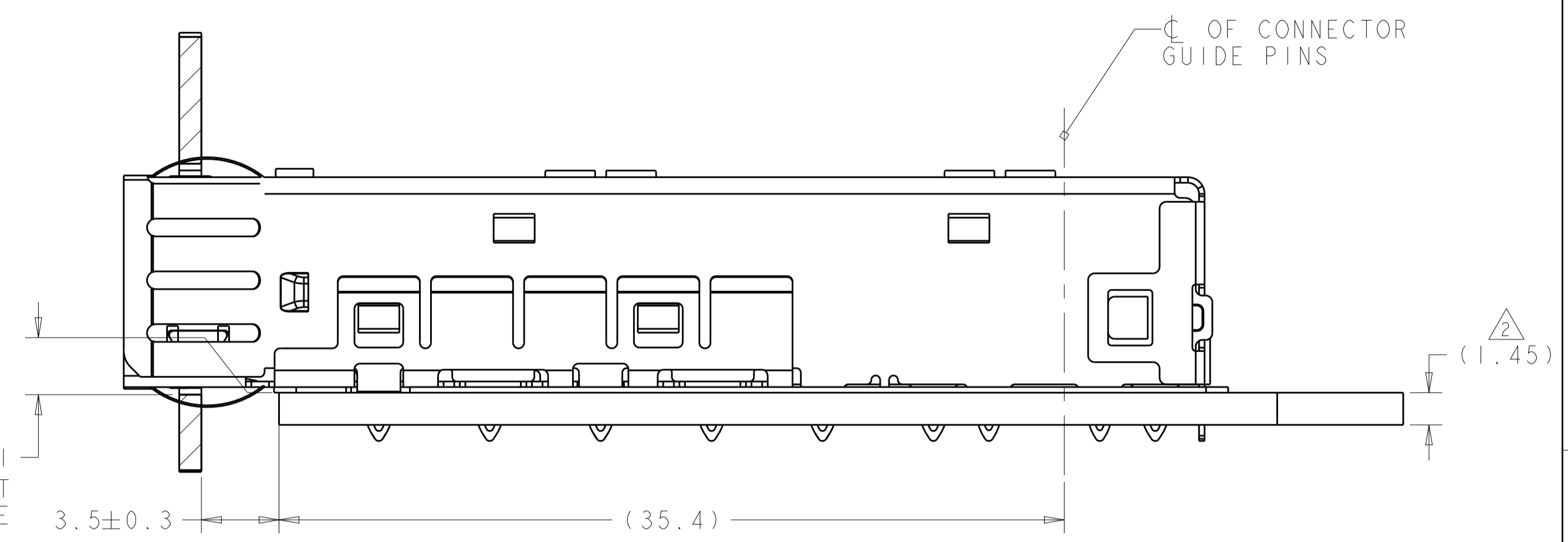
THIS DRAWING IS A CONTROLLED DOCUMENT.		OWN: M.E. CONNER 18FEB2013	TE Connectivity
DIMENSIONS: mm		CHK: M.D. MORRISON 18FEB2013	
TOLERANCES UNLESS OTHERWISE SPECIFIED:		APVD: M.J. PHILLIPS 18FEB2013	NAME: CAGE ASSEMBLY WITH EMI SPRINGS, PRESS-FIT, 1X4, 2SFP+
0 PLC ±0.25		PRODUCT SPEC: 108-2364	
1 PLC ±0.25		APPLICATION SPEC: 114-13120	SIZE: A1 CAGE CODE: 00779 DRAWING NO: 2227730
2 PLC ±0.25		WEIGHT: -	
3 PLC ±0.25		Customer Drawing	RESTRICTED TO: -
4 PLC ±0.25		SCALE: 5:1	SHEET 1 OF 4
ANGLES ±1°		REV: B	

LOC	DIST	REV	DATE	BY	APPV
GP	00				

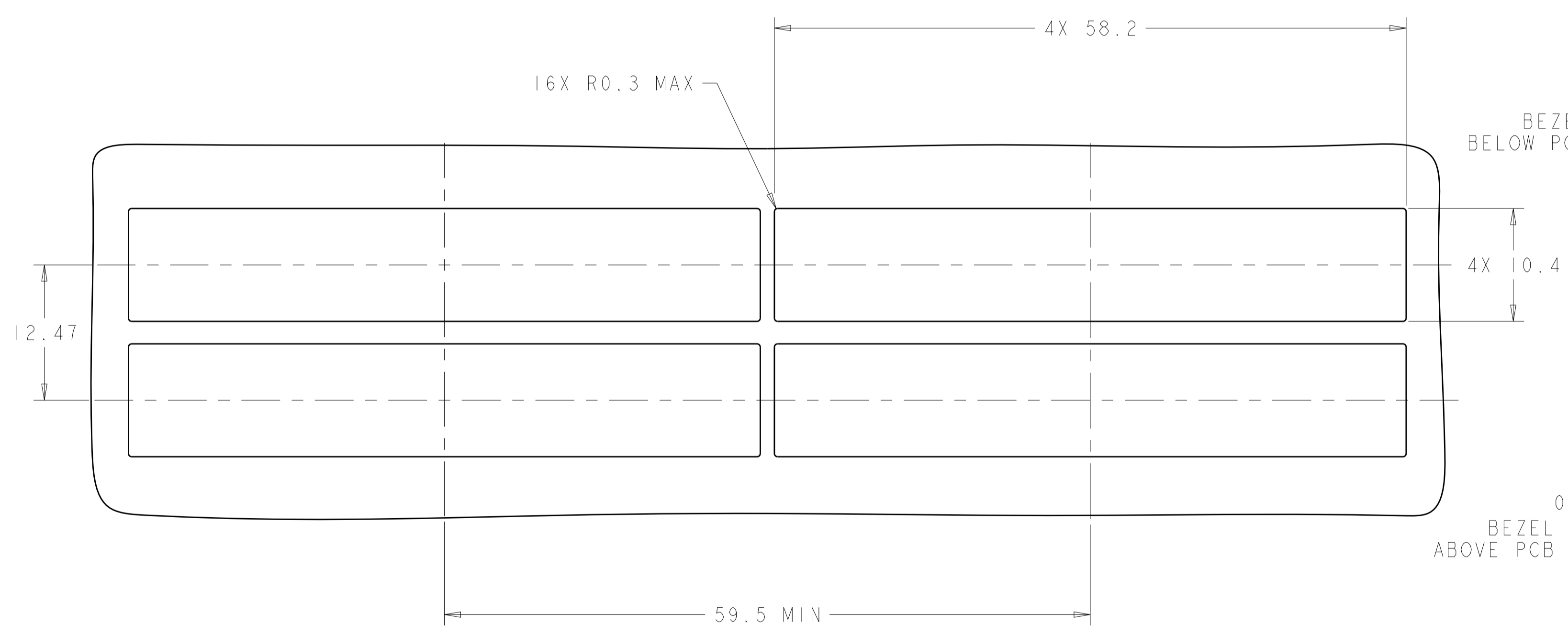
REVISIONS					
NO.	DESCRIPTION	DATE	BY	APPV	
-	SEE SHEET 1	-	-	-	-



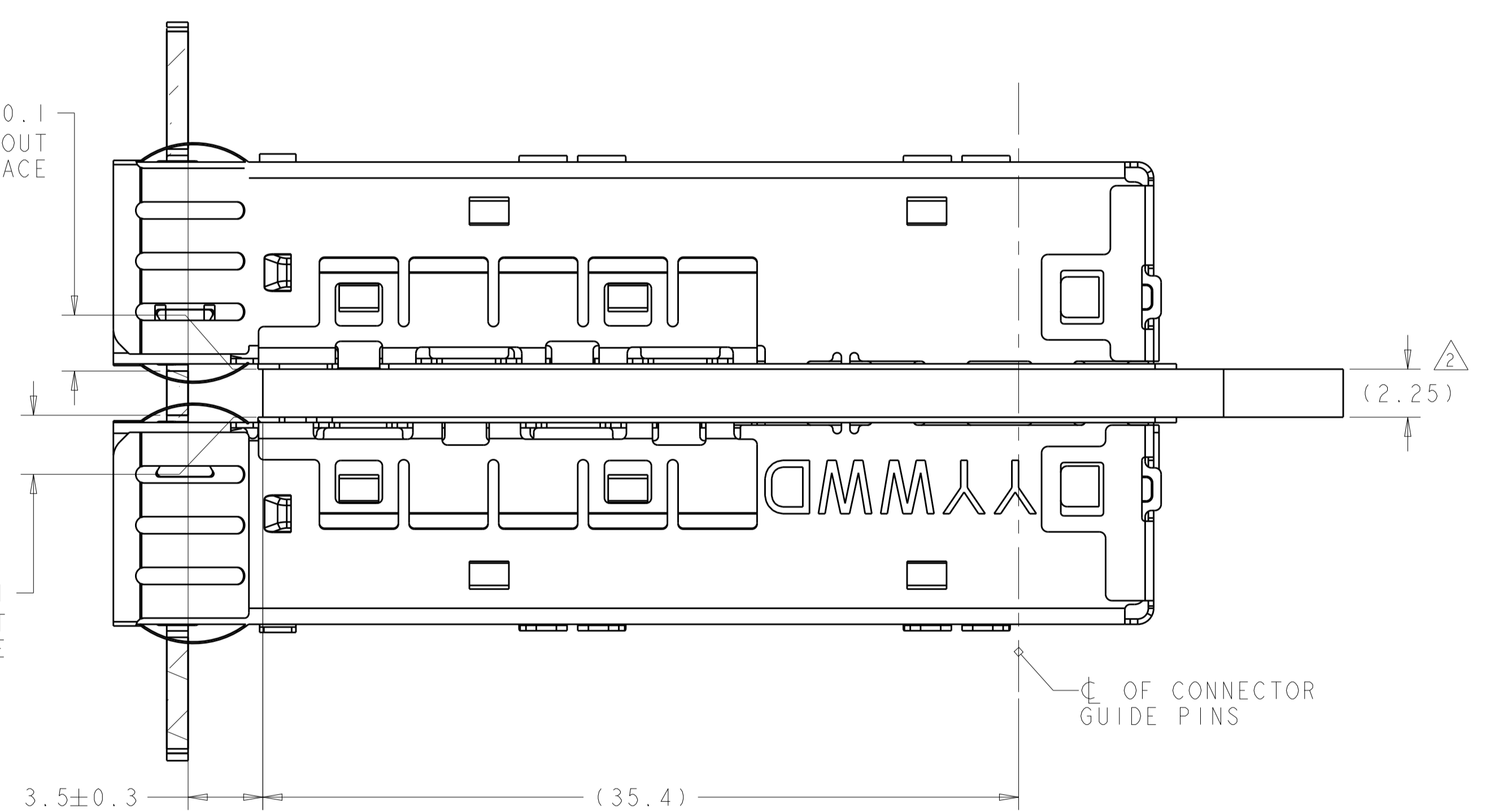
RECOMMENDED BEZEL CUT-OUT
 SINGLE SIDED APPLICATIONS
 SCALE 3:1



MOUNTED ON PC BOARD
 SHOWN THRU RECOMMENDED BEZEL
 SCALE 5:1



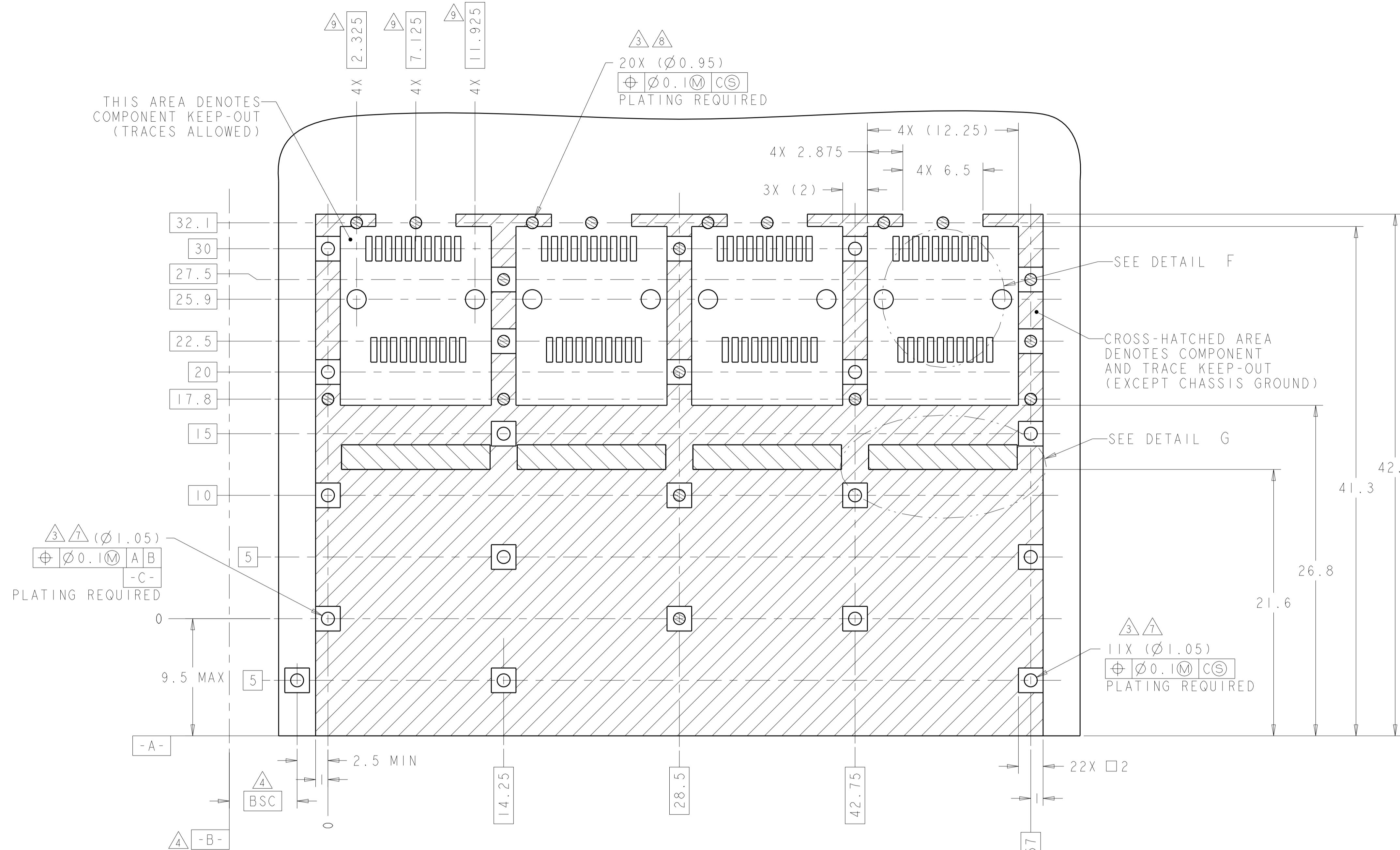
RECOMMENDED BEZEL CUT-OUT
 BELLY TO BELLY APPLICATIONS
 SCALE 3:1



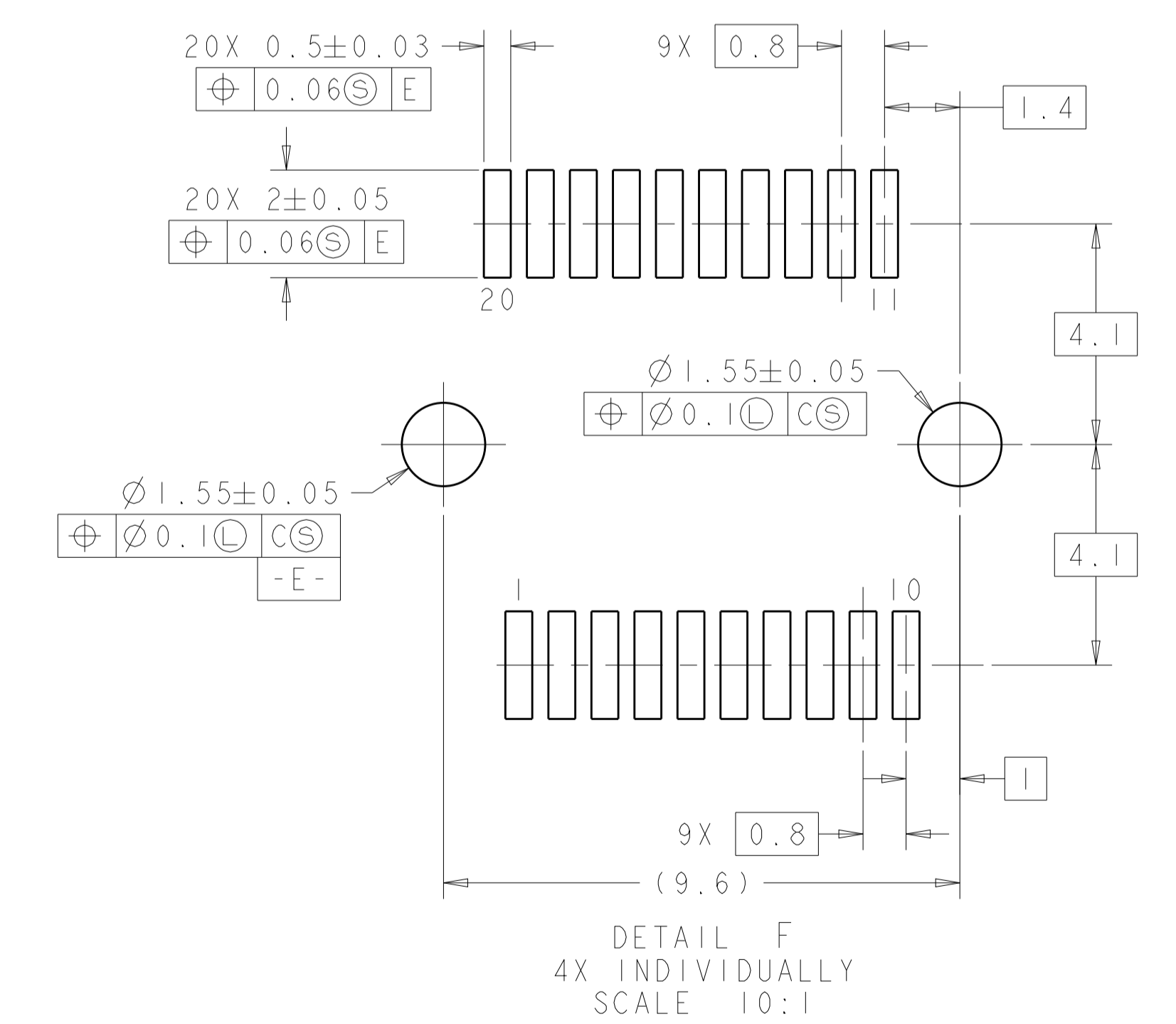
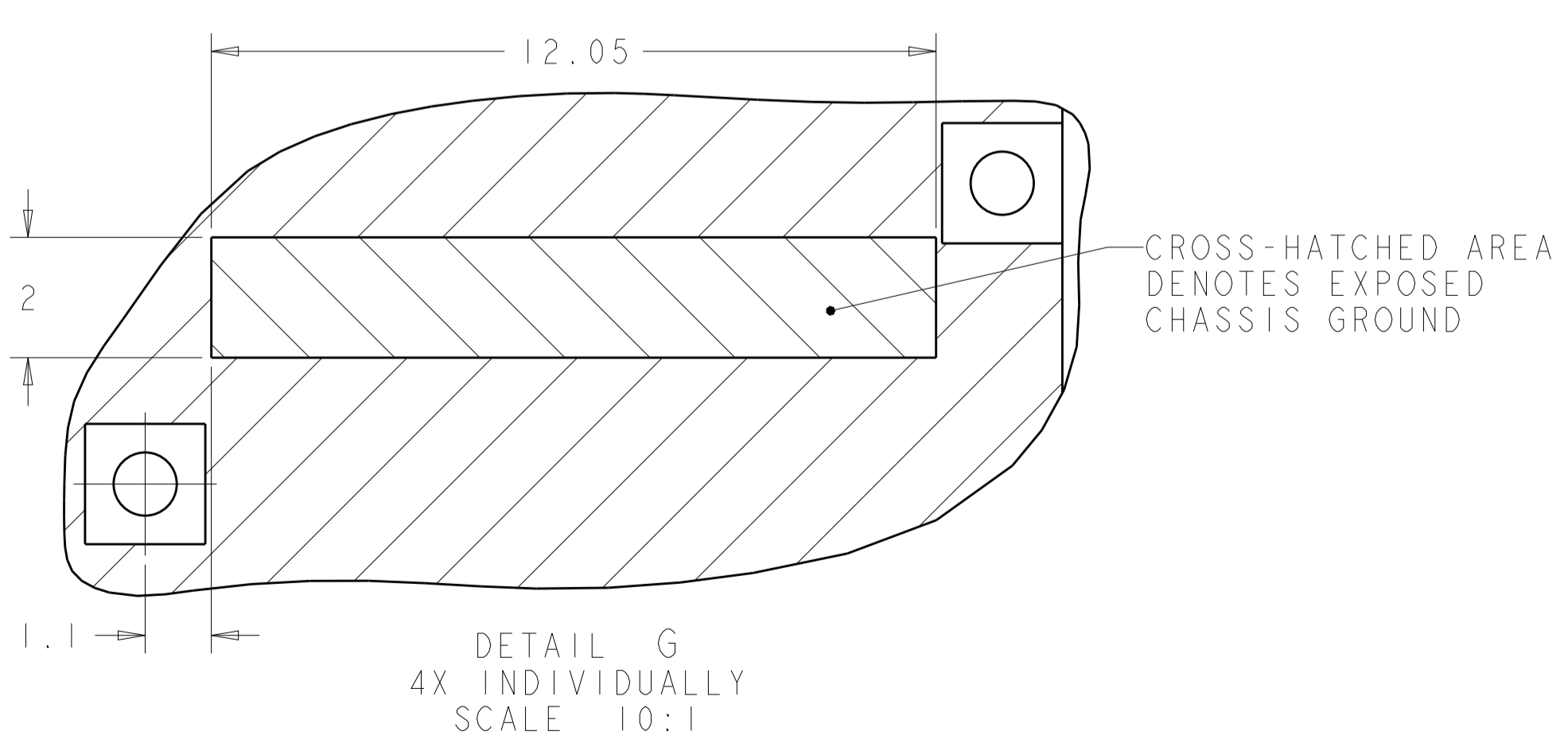
MOUNTED BELLY TO BELLY ON PC BOARD
 SHOWN THRU RECOMMENDED BEZEL
 SCALE 5:1

THIS DRAWING IS A CONTROLLED DOCUMENT.		OWN: M.E. CONNER 18FEB2013	TE Connectivity
DIMENSIONS: mm		CHK: M.D. MORRISON 18FEB2013	
TOLERANCES UNLESS OTHERWISE SPECIFIED:		APVD: M.J. PHILLIPS 18FEB2013	NAME: CAGE ASSEMBLY WITH EMI SPRINGS, PRESS-FIT, 1X4, zSFP+
0 PLC ±0.1 1 PLC ±0.1 2 PLC ±0.08 3 PLC ±0.05 4 PLC ±0.05 ANGLES ±0.05 FINISH #1*		PRODUCT SPEC: 108-2364	
MATERIAL: SEE NOTES		APPLICATION SPEC: 114-13120	SIZE: A1
FINISH: SEE NOTES		WEIGHT: -	CAGE CODE: 2227730
		Customer Drawing	SCALE: 5:1 SHEET 2 OF 4 REV B

LOC	DIST	REVISIONS					
GP	00	P.	LTN	DESCRIPTION	DATE	DWN	APVD
		-	-	SEE SHEET 1	-	-	-

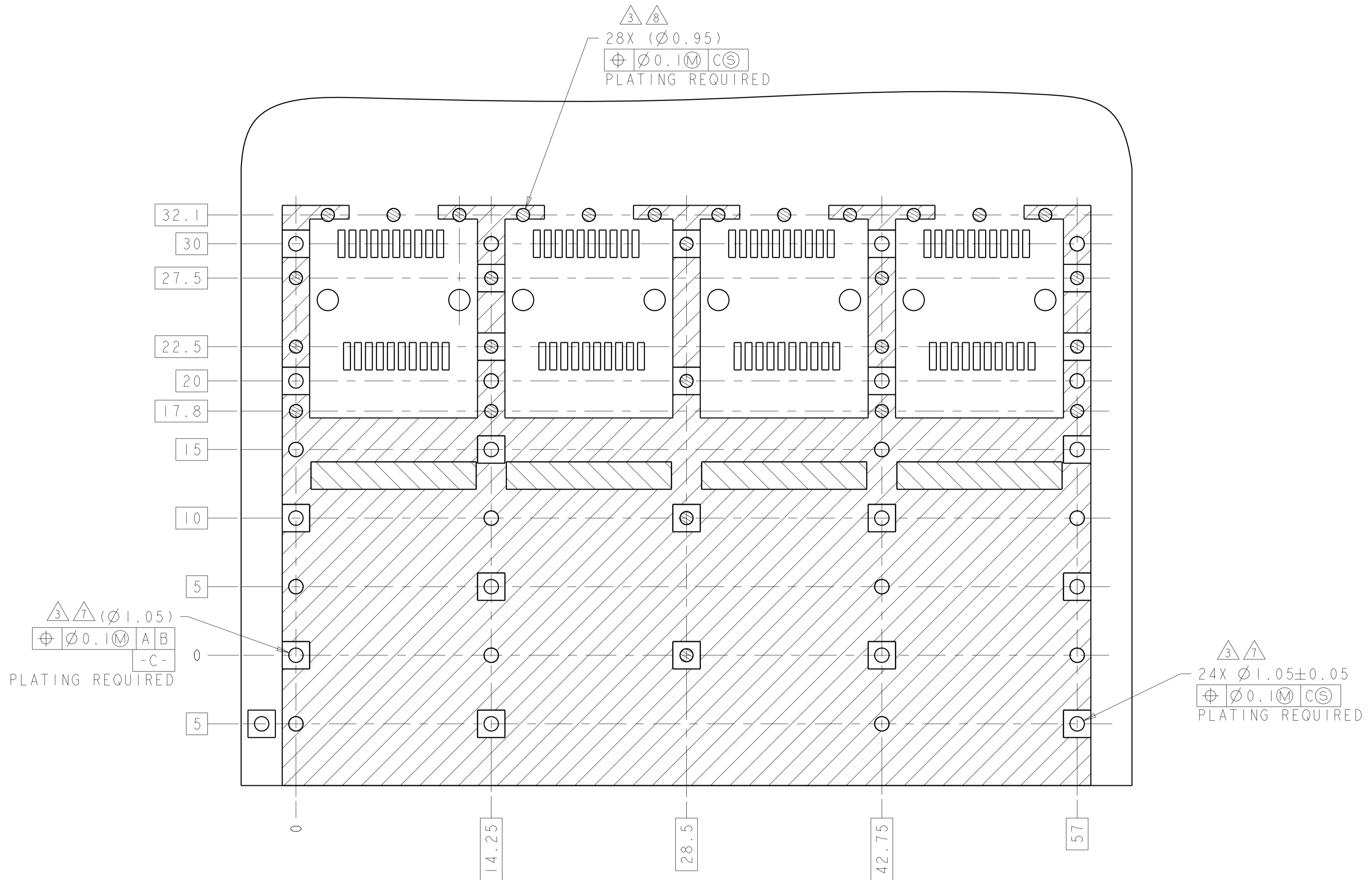


RECOMMENDED PCB CONFIGURATION WITH KEEP-OUTS FOR SINGLE SIDE APPLICATIONS
 SCALE 5:1



THIS DRAWING IS A CONTROLLED DOCUMENT.		DWN: M.E. CONNER 18FEB2013	TE Connectivity
DIMENSIONS: mm		CHK: M.D. MORRISON 18FEB2013	
TOLERANCES UNLESS OTHERWISE SPECIFIED:		APVD: M.J. PHILLIPS 18FEB2013	NAME: CAGE ASSEMBLY WITH EMI SPRINGS, PRESS-FIT, 1X4, zSFP+
0 PLC ±0.1		PRODUCT SPEC: 108-2364	
1 PLC ±0.1		APPLICATION SPEC: 114-13120	
2 PLC ±0.08		SIZE: A100779C=2227730	
3 PLC ±0.05		WEIGHT: -	RESTRICTED TO: -
4 PLC ±0.05		FINISH: -	SCALE: 6:1
ANGLES ±0.05		SEE NOTES	SHEET 3 OF 4
MATERIAL: SEE NOTES		Customer Drawing	REV B

LOC	DIST	REVISIONS					
		P.	LTN	DESCRIPTION	DATE	DWN	APVD
GP	00	-	-	SEE SHEET 1	-	-	-



RECOMMENDED PCB CONFIGURATION WITH KEEP-OUTS FORBELLY TO BELLY APPLICATIONS
 SAME AS SINGLE SIDE APPLICATION, EXCEPT AS SHOWN
 SCALE 5:1

THIS DRAWING IS A CONTROLLED DOCUMENT.		DWN M.E. CONNER 18FEB2013	
DIMENSIONS: mm		CHK M.D. MORRISON 18FEB2013	
TOLERANCES UNLESS OTHERWISE SPECIFIED:		APVD M.J. PHILLIPS 18FEB2013	NAME CAGE ASSEMBLY WITH EMI SPRINGS, PRESS-FIT, 1X4, zSFP+
0 PLC ±0.1		PRODUCT SPEC 108-2364	SIZE CAGE CODE DRAWING NO. RESTRICTED TO
1 PLC ±0.1		APPLICATION SPEC 114-13120	A100779C=2227730
2 PLC ±0.08		WEIGHT -	SCALE 6:1 SHEET 4 OF 4 REV B
3 PLC ±0.05		Customer Drawing	
4 PLC ±0.05			
ANGLES ±0.05			
FINISH SEE NOTES			

X-ON Electronics

Largest Supplier of Electrical and Electronic Components

Click to view similar products for [I/O Connectors](#) category:

Click to view products by [TE Connectivity](#) manufacturer:

Other Similar products are found below :

[571763P](#) [58098-0628](#) [72.250.1628.2](#) [72.250.2428.2](#) [74720-0505](#) [76.350.0729.0](#) [76871-1403](#) [FCN-244F080-G/1](#) [FCN-260A9920](#) [PCR-E36PM](#) [PCS-XE26MA+](#) [G38A71314B](#) [1571250010](#) [157-22500-3](#) [MS3471L14-19P L/C](#) [172501-4002](#) [172501-6002](#) [FCN-260C008-A/L0](#) [FCN-260C024-AL0](#) [FCN-261Z008](#) [2000314-1](#) [200331-1](#) [PCR-E36FC+](#) [PCS-E28FS+](#) [PCS-XE26SLFD+](#) [PCS-XE26SLFDT+](#) [G730VID08BDC24](#) [U90B2054081210](#) [38113800006](#) [DP3AR020WQ1R200](#) [Z4.102.0680.0](#) [500-1040](#) [500-1052](#) [500-1054](#) [ZP-4008-66L](#) [0709821002](#) [DX40-20P\(55\)](#) [5554841-1](#) [MS3474W18-8P-LC*](#) [U90B3054061110](#) [U65-E04-4020](#) [ZPF000000000097891](#) [747360449](#) [10099439-003C-TRLF](#) [10137239-0021LF](#) [E9320-001-01](#) [10137239-0011LF](#) [70289-001LF](#) [70.060.1028.0](#) [109029-ZZ](#)