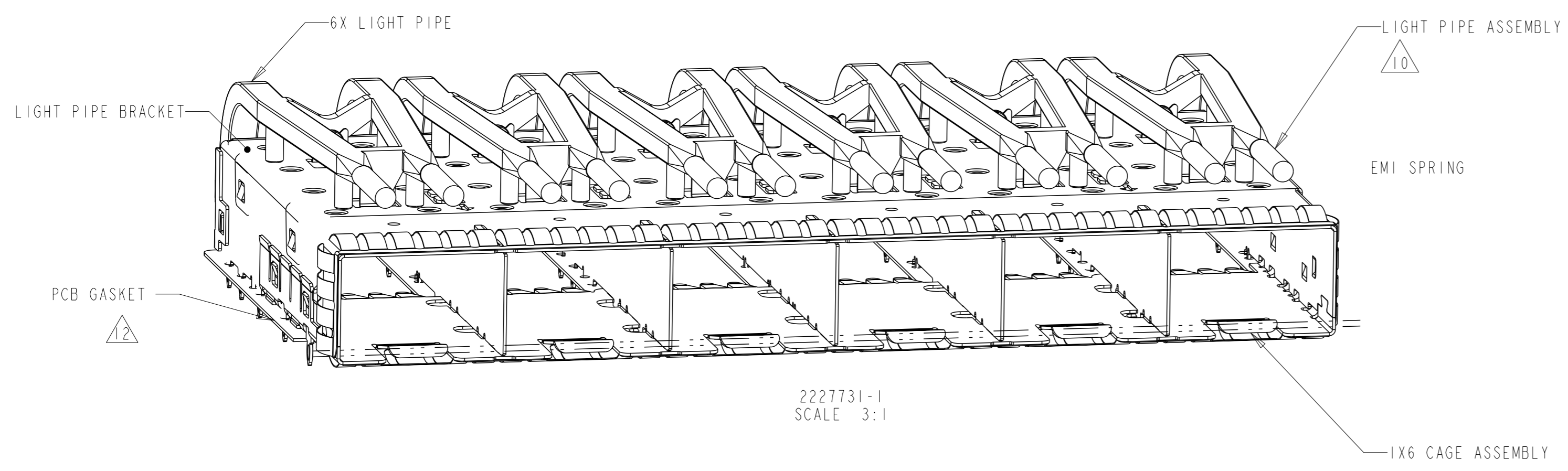
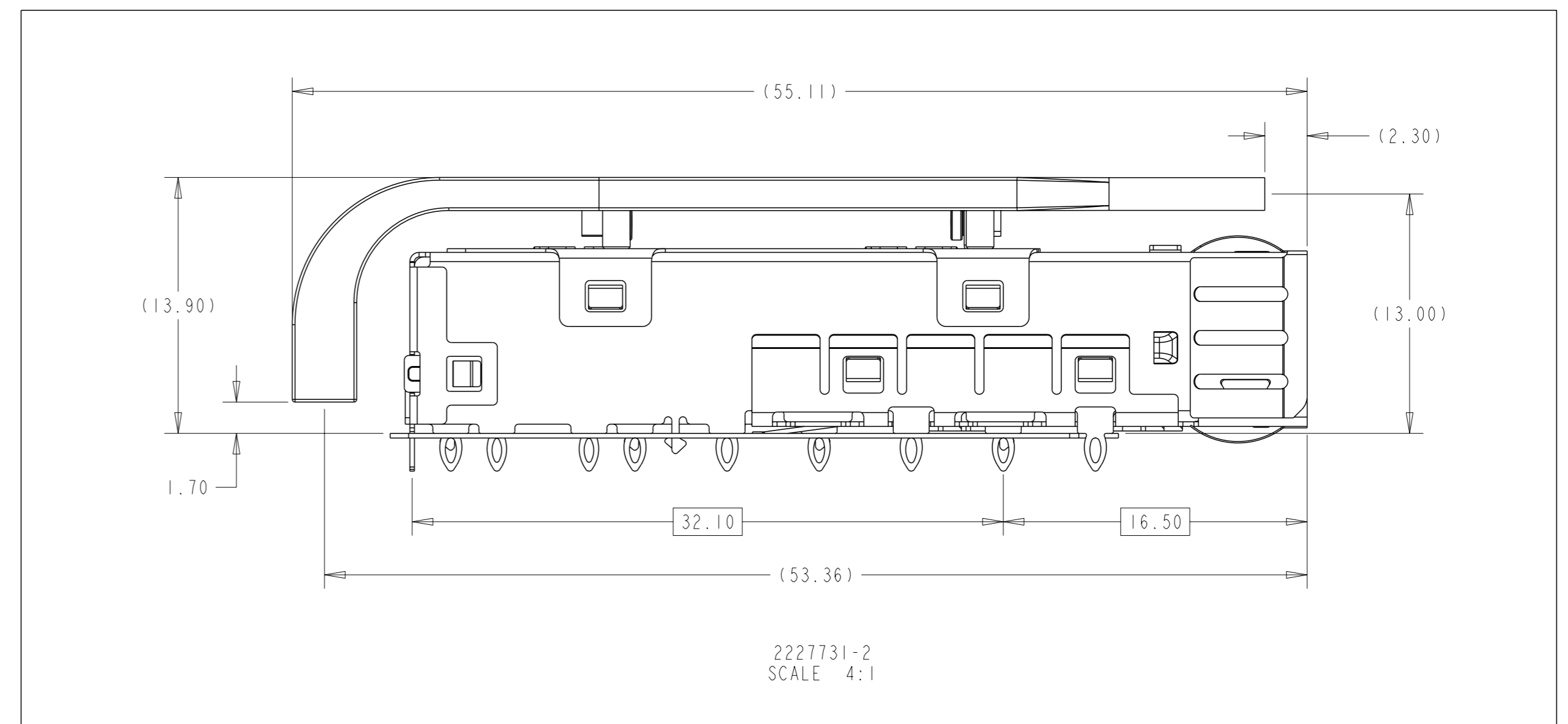
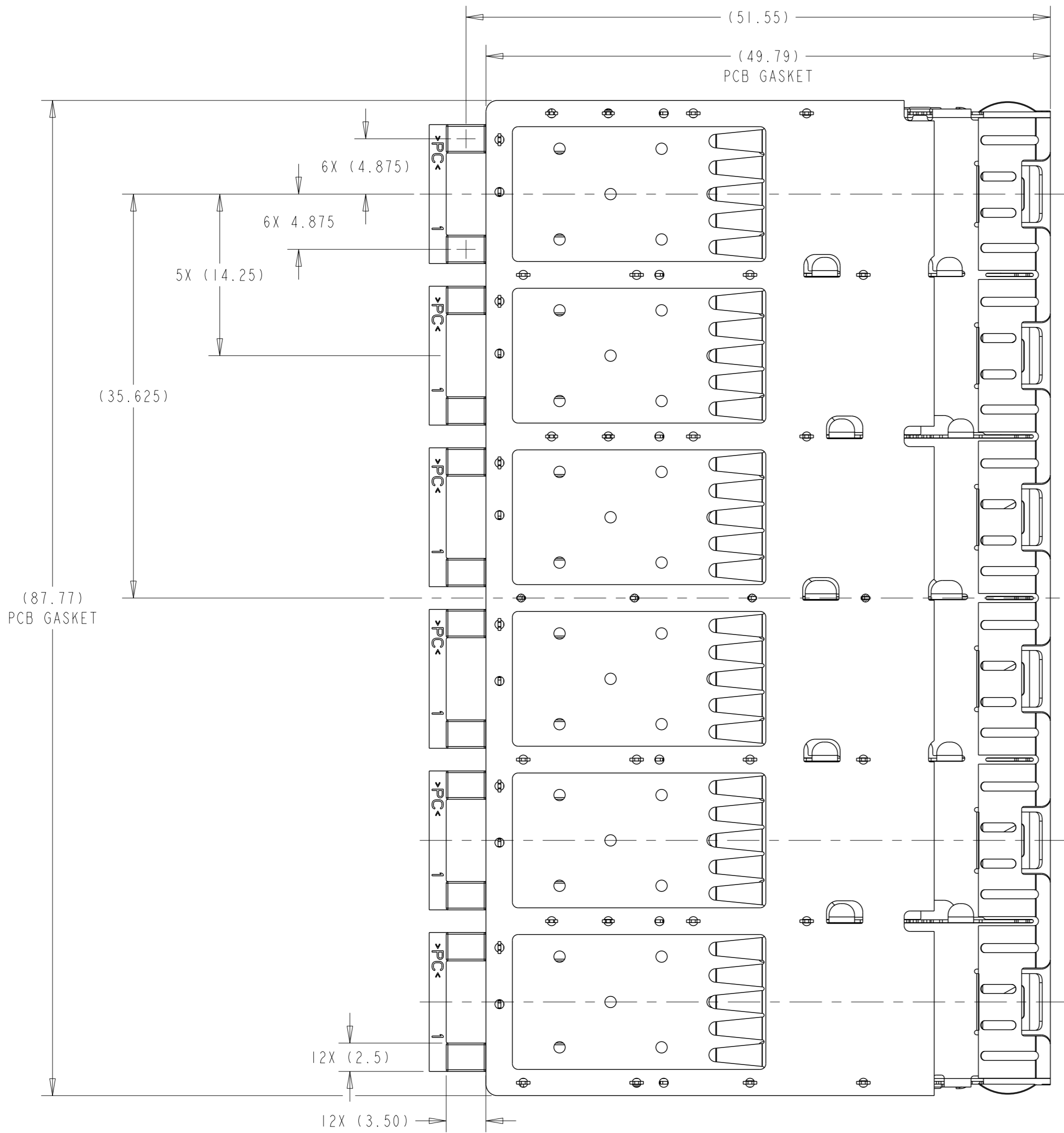
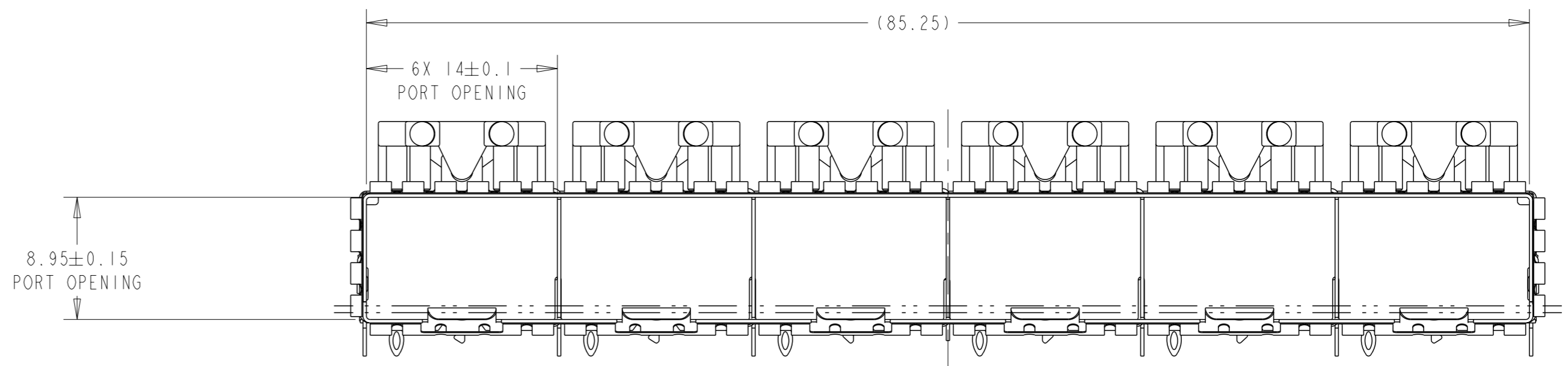
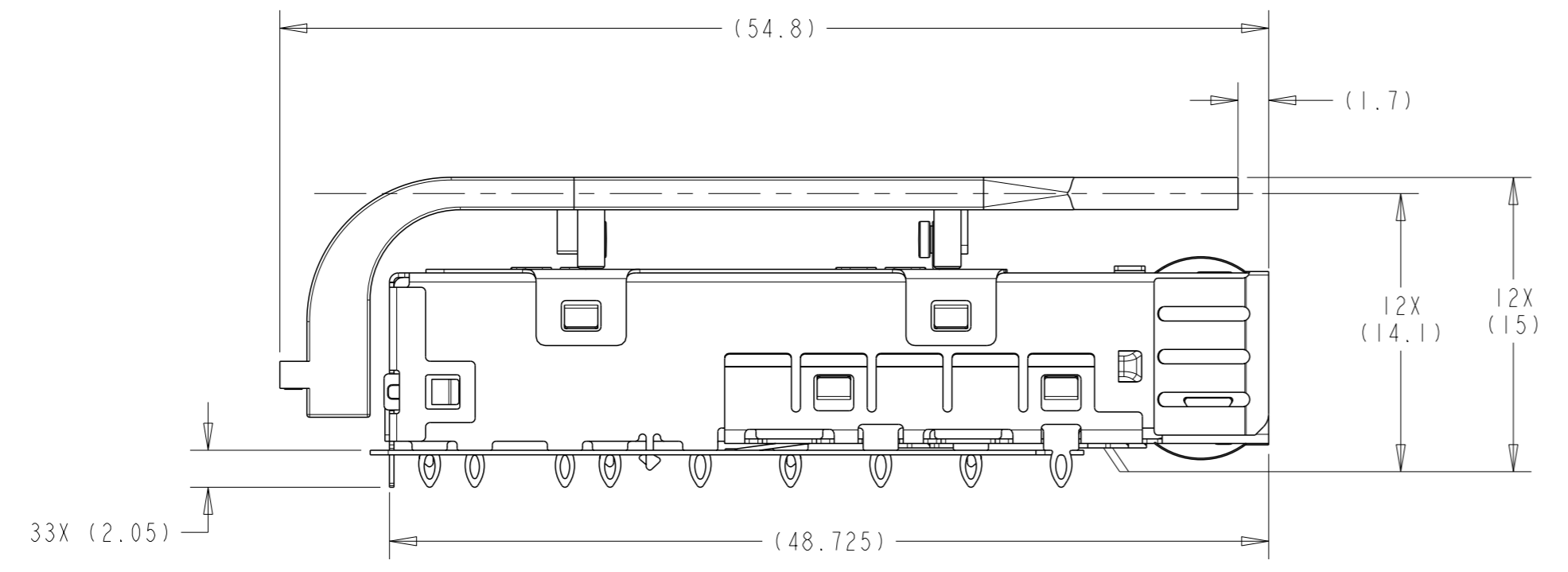


| LOC | | DIST | | REVISIONS | | | |
|-----|-----|---------------------------|-----------|-----------|------|--|--|
| P | LY# | DESCRIPTION | DATE | OWN | APVD | | |
| A | | REVISED PER ECO-15-002647 | 06MAR2015 | AP | MS | | |
| B | | REVISED PER ECO-15-007912 | 29MAY2015 | PP | SH | | |
| B1 | | REVISED PER ECO-16-014593 | 13FEB2017 | JW | SH | | |
| B2 | | REVISED PER ECR-18-014006 | 04SEP2018 | IT | SH | | |

- 1 MATERIAL:
CAGE ASSEMBLY: NICKEL SILVER ALLOY, (0.25mm)
PCB GASKET: RF ABSORBER
EMI SPRINGS: PHOSPHOR BRONZE
LIGHT PIPE BRACKET: STAINLESS STEEL
LIGHT PIPE: POLYCARBONATE, CLEAR
- 2 MINIMUM PC BOARD THICKNESS:
SINGLE SIDE = 1.45mm
BELLY TO BELLY = 2.25mm
- 3 PADS AND VIAS CHASSIS GROUND
- 4 DATUM AND BASIC DIMENSION ESTABLISHED BY CUSTOMER
- 5 MATES WITH SFP MSA COMPLIANT TRANSCEIVERS
- 6 INTERPRETATION OF DATUM REFERENCE FRAME IN ACCORDANCE WITH SECT 4.4.1.1 OF ASME Y14.5M-1994
- 7 REFERENCE APPLICATION SPEC. 114-13120, HOLE A, FOR RECOMMENDED DRILL HOLE DIAMETER AND PLATING THICKNESS
- 8 REFERENCE APPLICATION SPEC. 114-13120, HOLE B, FOR RECOMMENDED DRILL HOLE DIAMETER AND PLATING THICKNESS
- 9 HOLE PATTERN REPEATS FOR EACH PORT, SPACING BETWEEN PORTS IS 14.25mm
- 10 LIGHT PIPE ASSEMBLY SHIPPED UNASSEMBLED TO CAGE ASSEMBLY, CAGE ASSEMBLY TO BE PRESSED INTO THE PCB PRIOR TO ATTACHING LIGHT PIPE ASSEMBLY TO CAGE
- 11 PRODUCT COMPLIES WITH SPECIFICATION SFF-8433, IMPROVED PLUGGABLE FORM FACTOR FOR SFP+ GANGED CAGES
- 12 CONTACT STANDOFF WILL PIERCE GASKET WHEN PROPERLY PRESSED INTO PCB.



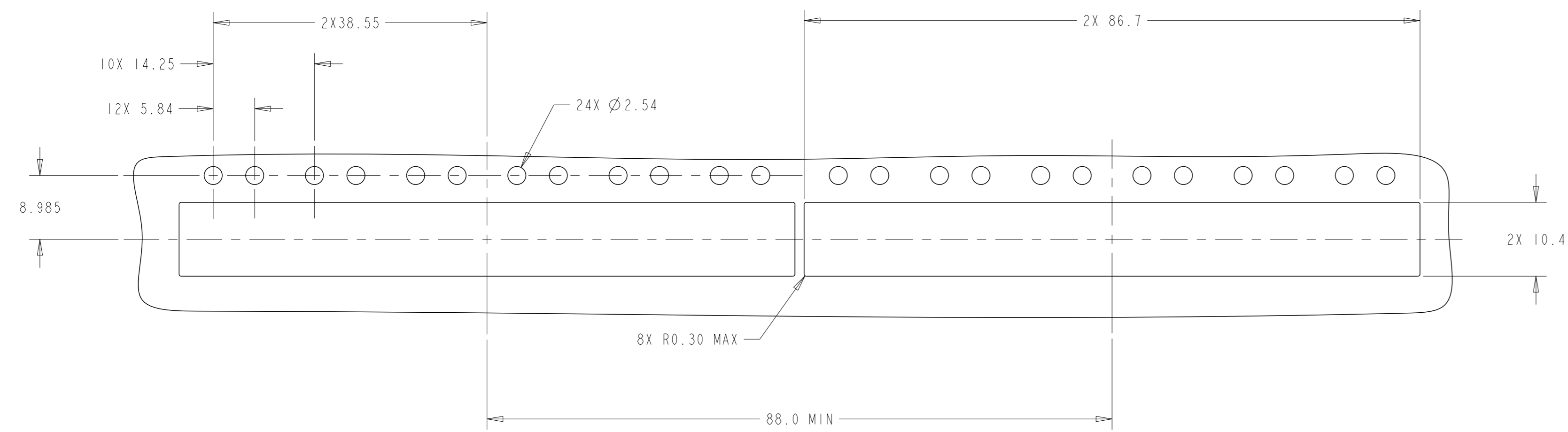
2227731-1
SCALE 3:1



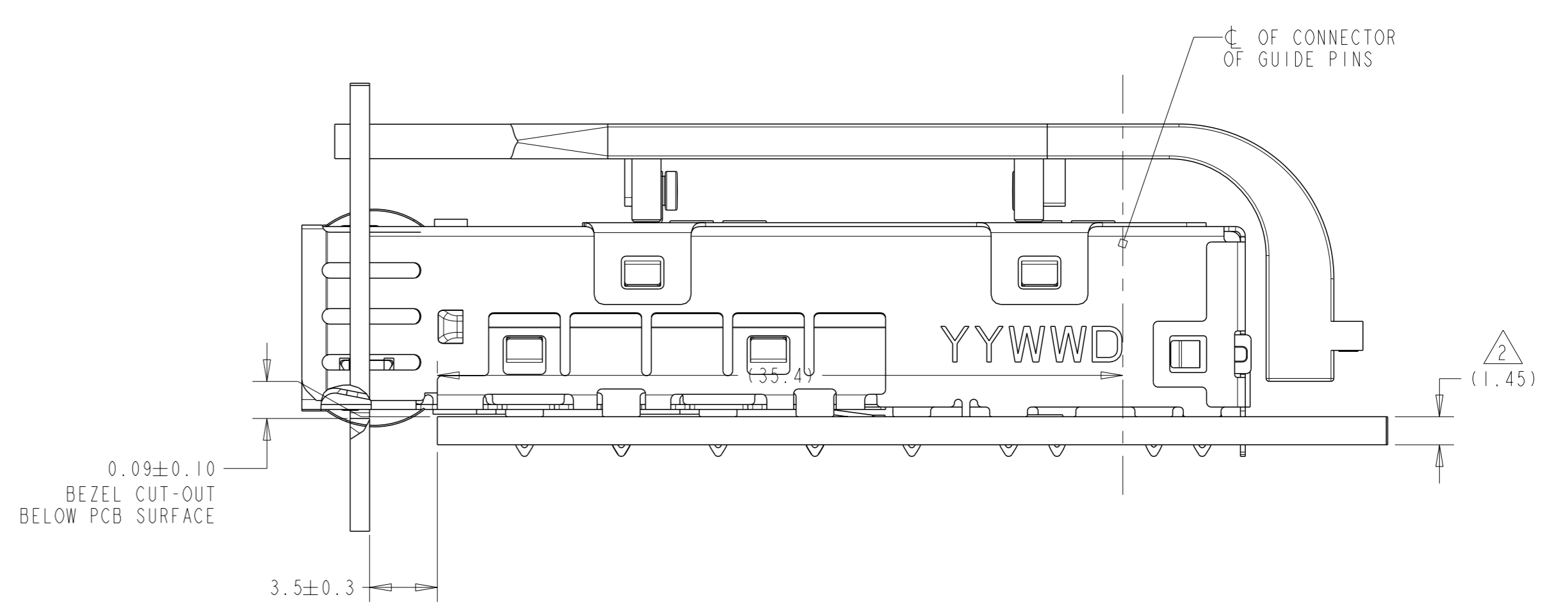
2227731-2
2227731-1
PART NUMBER

| | | | |
|--|---|--|---|
| THIS DRAWING IS A CONTROLLED DOCUMENT. DIMENSIONING AND TOLERANCING PER ASME Y14.5M-2009 | | OWN: C. VALENTINE 08MAR2013 CHK: M. PHILLIPS 08MAR2013 APVD: M. PHILLIPS 08MAR2013 | TE Connectivity NAME CAGE ASSEMBLY WITH LIGHT PIPES, PRESS-FIT, EMI SPRINGS, 1X6, zSFP+ PRODUCT SPEC APPLICATION SPEC SIZE CAGE CODE DRAWING NO. RESTRICTED TO A1 00779 ©=2227731 SCALE 3:1 SHEET 1 OF 4 REV B2 |
| DIMENSIONS: mm MATERIAL SEE NOTES FINISH SEE NOTES | TOLERANCES UNLESS OTHERWISE SPECIFIED: 0 PLC ±0.1 1 PLC ±0.1 2 PLC ±0.08 3 PLC ±0.05 4 PLC ± ANGLES ±° | WEIGHT Customer Drawing | |

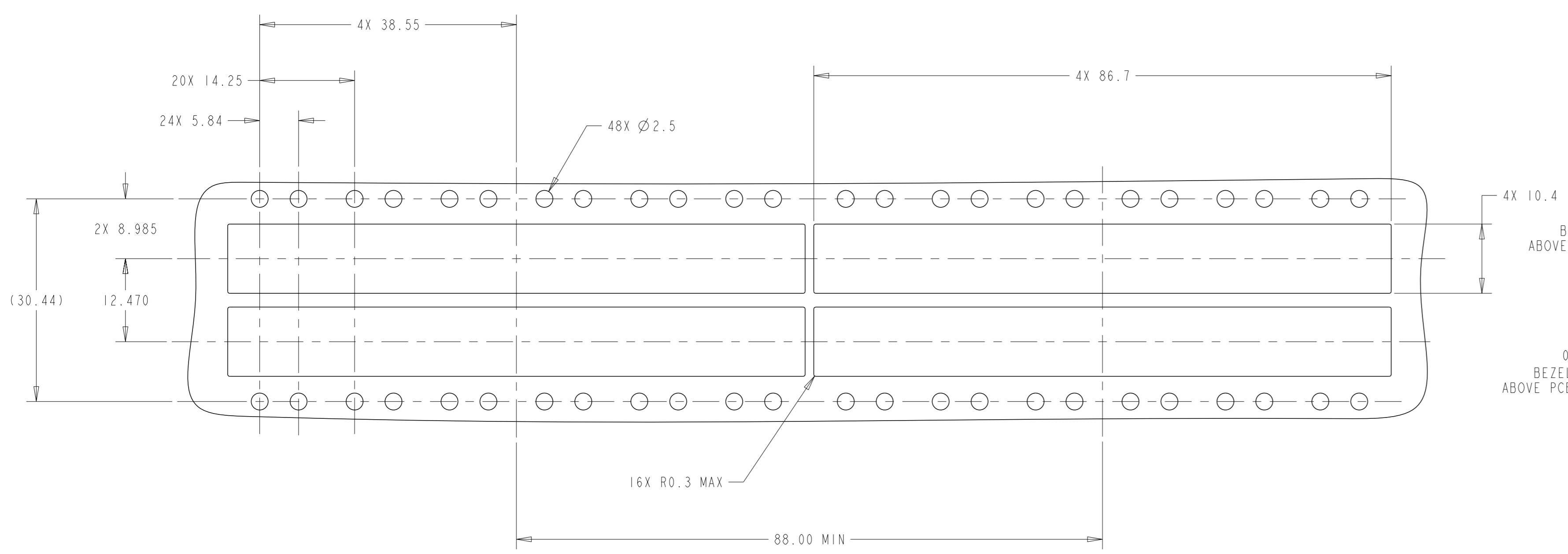
| LOC | DIST | REVISIONS | | | | | |
|-----|------|-----------|-----|-------------|------|-----|------|
| GP | 00 | P | LYR | DESCRIPTION | DATE | OWN | APVD |
| | | - | | SEE SHEET 1 | | | |



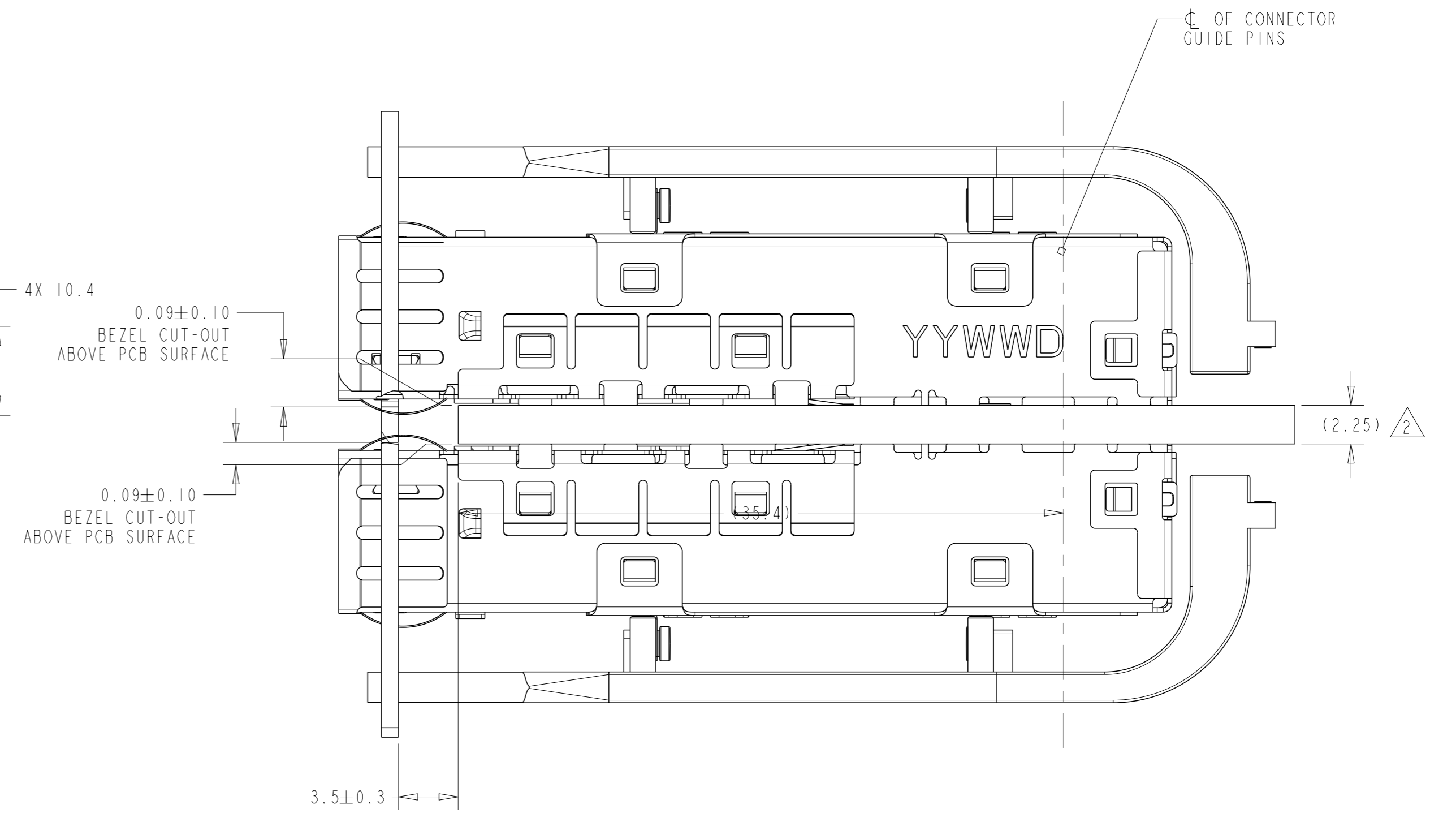
RECOMMENDED BEZEL OPENING
 SINGLE SIDED APPLICATIONS
 SCALE 2:1



MOUNTED ON PC BOARD
 SHOWN THRU RECOMMENDED BEZEL
 SCALE 4:1



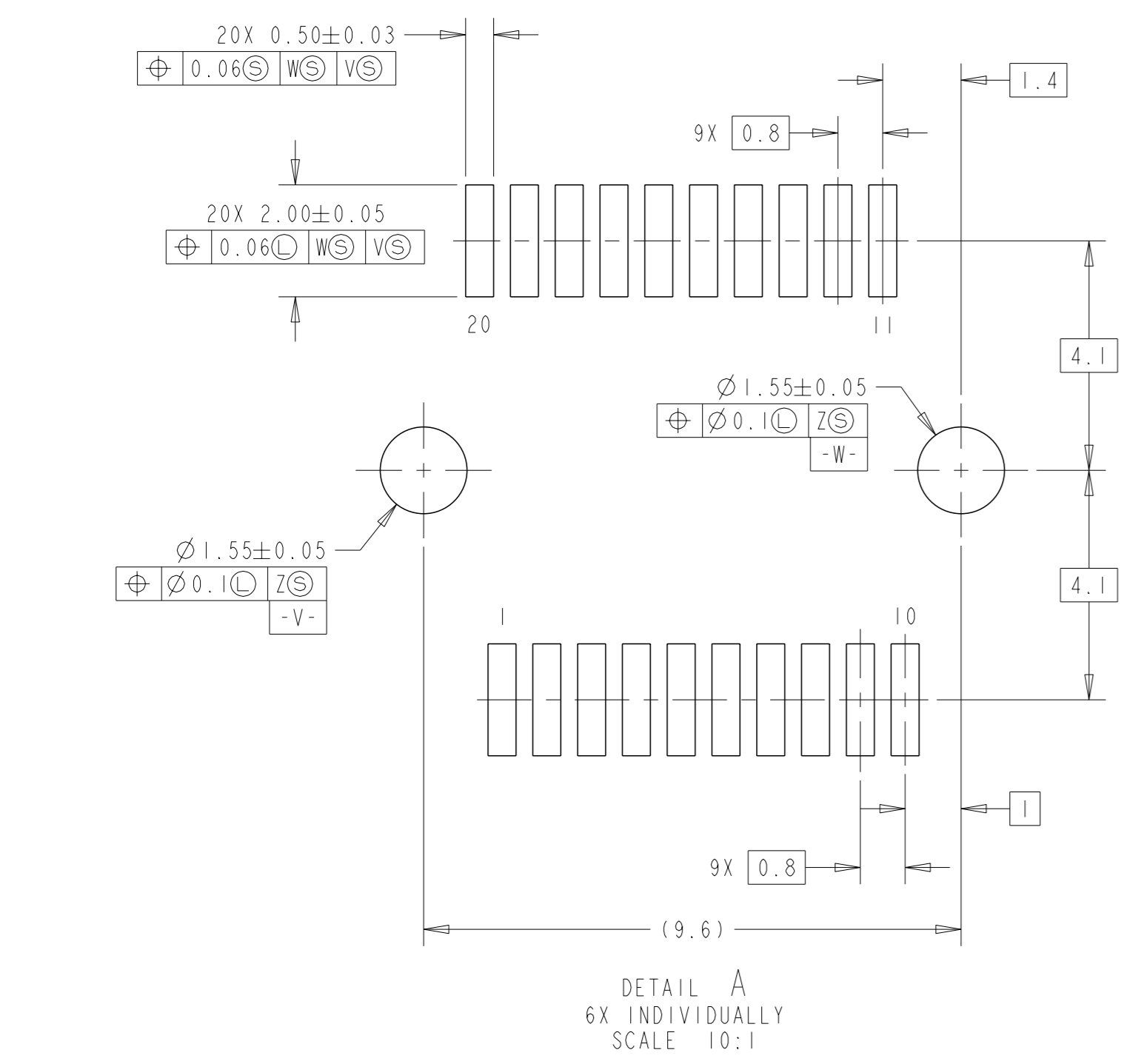
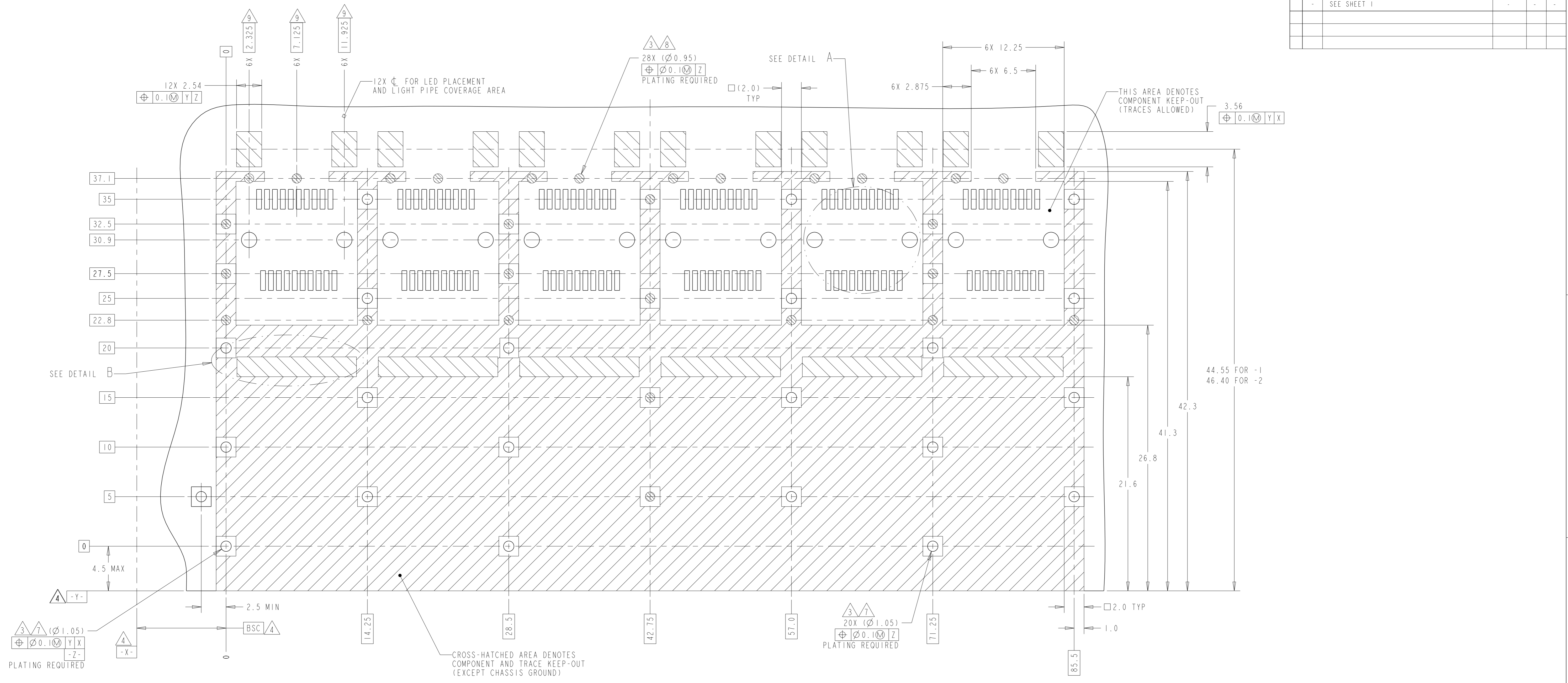
RECOMMENDED BEZEL OPENING
 BELLY TO BELLY APPLICATION
 SCALE 2:1



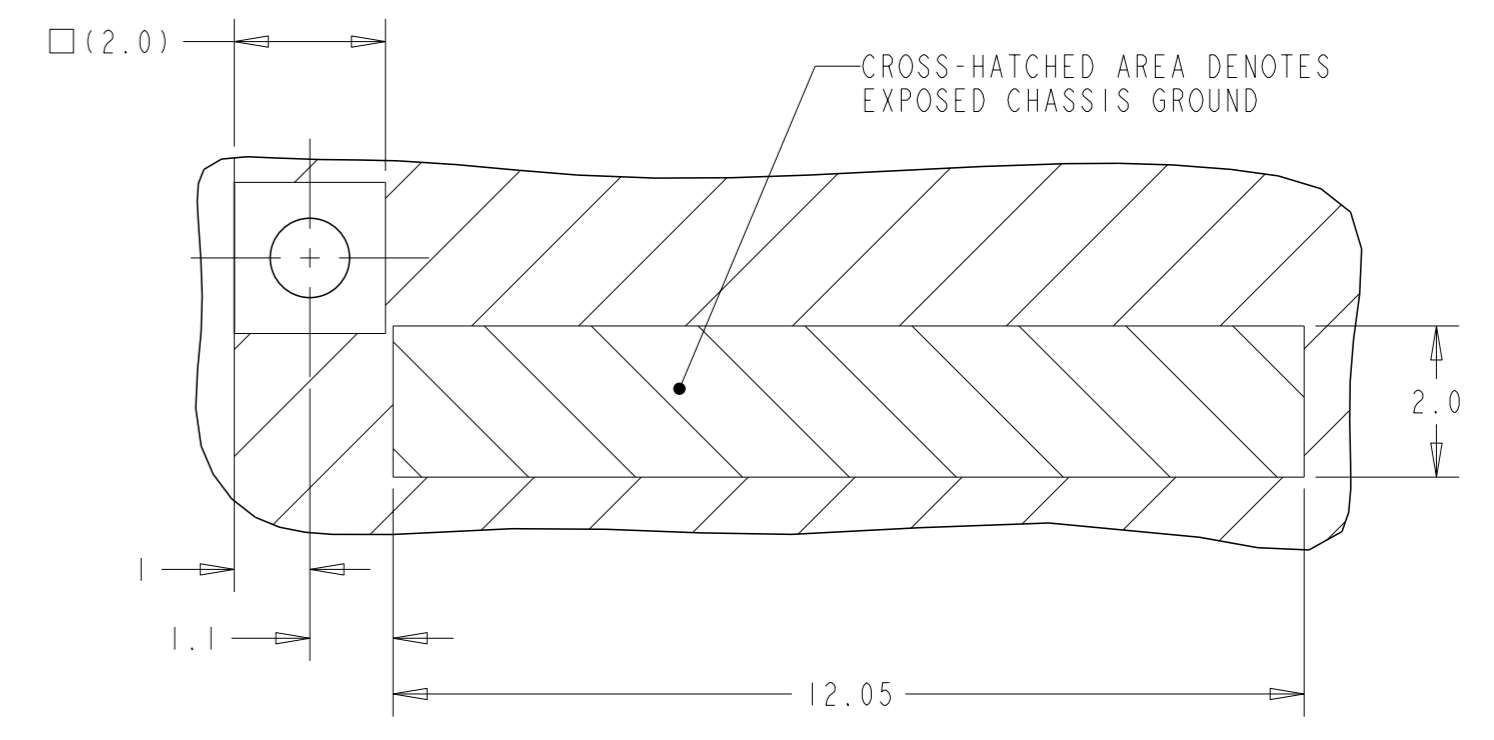
MOUNTED BELLY TO BELLY ON PC BOARD
 SHOWN THRU RECOMMENDED BEZEL
 SCALE 4:1

| | | | |
|--|-------------------|-----------------------------|--|
| THIS DRAWING IS A CONTROLLED DOCUMENT. DIMENSIONING AND TOLERANCING PER ASME Y14.5M-2009 | | OWN: C. VALENTINE 08MAR2013 | TE Connectivity |
| DIMENSIONS: mm | | CHK: M. PHILLIPS 08MAR2013 | |
| TOLERANCES UNLESS OTHERWISE SPECIFIED: | | APVD: M. PHILLIPS 08MAR2013 | NAME: CAGE ASSEMBLY WITH LIGHT PIPES, PRESS-FIT, EMI SPRINGS, 1X6, zSFP+ |
| 0 PLC ±0.1 | 1 PLC ±0.1 | PRODUCT SPEC | SIZE: A1 |
| 2 PLC ±0.08 | 3 PLC ±0.05 | APPLICATION SPEC | CAGE CODE: 00779 |
| 4 PLC ± | ANGLES ±* | FINISH | DRAWING NO: 2227731 |
| MATERIAL: SEE NOTES | FINISH: SEE NOTES | WEIGHT: - | RESTRICTED TO: - |
| Customer Drawing | | SCALE: 4:1 | SHEET 2 OF 4 REV B2 |

| LOC | DIST | REVISIONS | | | | | |
|-----|------|-----------|-----|-------------|------|-----|------|
| GP | 00 | P | LYR | DESCRIPTION | DATE | OWN | APVD |
| | | - | - | SEE SHEET 1 | - | - | - |

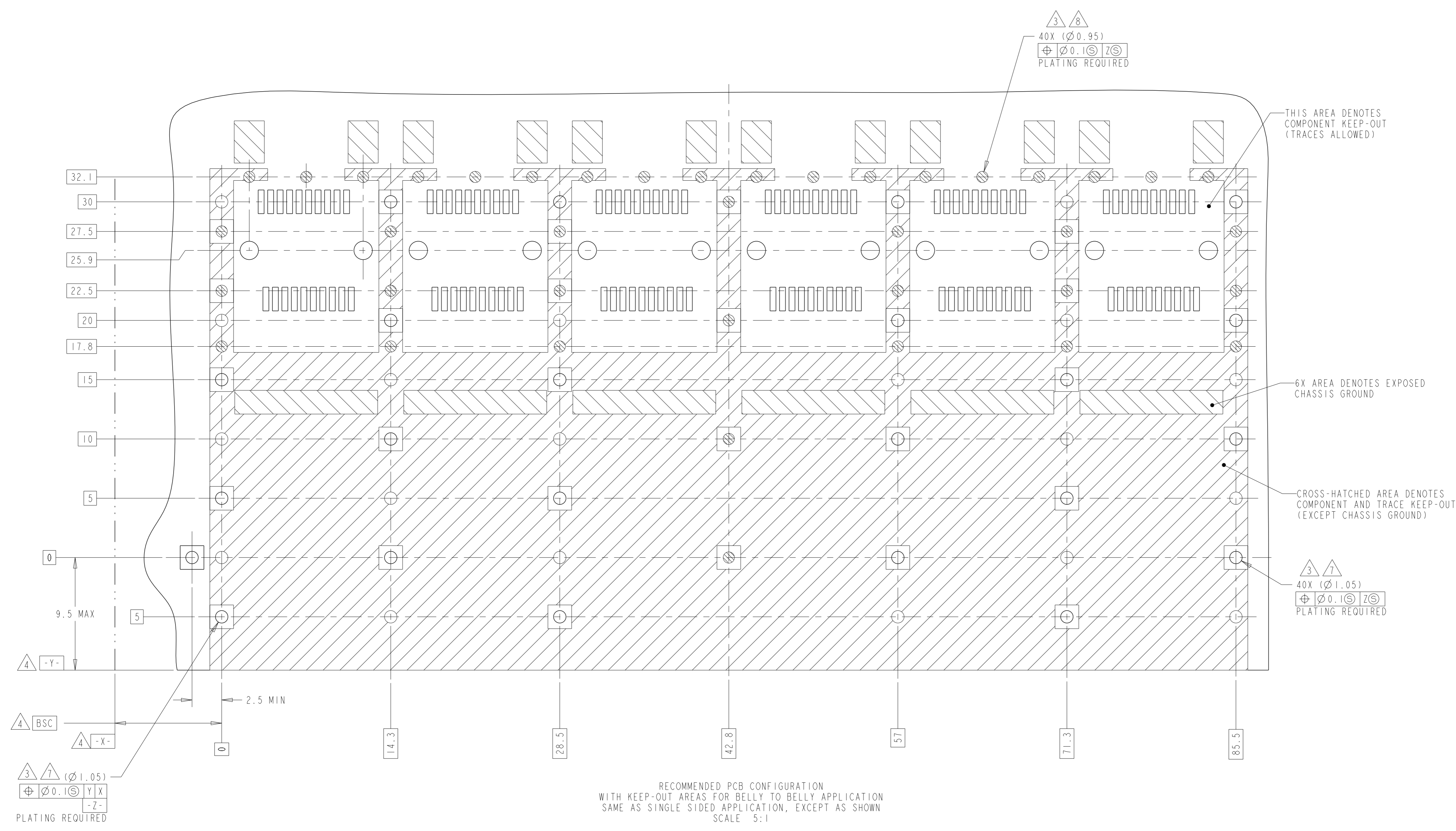


RECOMMENDED PCB CONFIGURATION
 WITH KEEP-OUT AREAS FOR SINGLE SIDED APPLICATION
 SCALE 5:1



| | | | |
|--|--|-----------------------------|--|
| THIS DRAWING IS A CONTROLLED DOCUMENT. DIMENSIONING AND TOLERANCING PER ASME Y14.5M-2009 | | OWN: C. VALENTINE 08MAR2013 | TE Connectivity |
| DIMENSIONS: mm | | CHK: M. PHILLIPS 08MAR2013 | |
| TOLERANCES UNLESS OTHERWISE SPECIFIED: | | APVD: M. PHILLIPS 08MAR2013 | NAME: CAGE ASSEMBLY WITH LIGHT PIPES, PRESS-FIT, EMI SPRINGS, 1X6, zSFP+ |
| 0 PLC ±0.1 1 PLC ±0.1 2 PLC ±0.08 3 PLC ±0.05 4 PLC ±* ANGLES FINISH ±* | | PRODUCT SPEC: - | |
| MATERIAL: SEE NOTES | | WEIGHT: - | RESTRICTED TO: - |
| FINISH: SEE NOTES | | Customer Drawing | SCALE: 4:1 SHEET 3 OF 4 REV: B2 |

| LOC | DIST | REVISIONS | | | |
|-----|------|-------------|------|-----|------|
| P | LYR | DESCRIPTION | DATE | OWN | APVD |
| - | - | SEE SHEET 1 | - | - | - |
| | | | | | |
| | | | | | |



| | | | |
|--|---|---|--|
| THIS DRAWING IS A CONTROLLED DOCUMENT. DIMENSIONING AND TOLERANCING PER ASME Y14.5M 2009 | | OWN: C. VALENTINE 08MAR2013 CHK: M. PHILLIPS 08MAR2013 APVD: M. PHILLIPS 08MAR2013 | TE Connectivity NAME: CAGE ASSEMBLY WITH LIGHT PIPES, PRESS-FIT, EMI SPRINGS, 1X6, zSFP+ SIZE: A1 CAGE CODE: 00779 DRAWING NO: 2227731 RESTRICTED TO: - |
| DIMENSIONS: mm | TOLERANCES UNLESS OTHERWISE SPECIFIED: 0 PLC ±0.1 1 PLC ±0.1 2 PLC ±0.08 3 PLC ±0.05 4 PLC ± ANGLES FINISH: *1* | PRODUCT SPEC: - APPLICATION SPEC: - WEIGHT: - SCALE: 4:1 SHEET: 4 OF 4 REV: B2 | |
| MATERIAL: SEE NOTES | FINISH: SEE NOTES | Customer Drawing | |

X-ON Electronics

Largest Supplier of Electrical and Electronic Components

Click to view similar products for [I/O Connectors](#) category:

Click to view products by [TE Connectivity](#) manufacturer:

Other Similar products are found below :

[571763P](#) [58098-0628](#) [72.250.1628.2](#) [72.250.2428.2](#) [74720-0505](#) [76.350.0729.0](#) [76871-1403](#) [FCN-244F080-G/1](#) [FCN-260A9920](#) [PCR-E36PM](#) [PCS-XE26MA+](#) [G38A71314B](#) [1571250010](#) [157-22500-3](#) [MS3471L14-19P L/C](#) [172501-4002](#) [172501-6002](#) [FCN-260C008-A/L0](#) [FCN-260C024-AL0](#) [FCN-261Z008](#) [2000314-1](#) [200331-1](#) [PCR-E36FC+](#) [PCS-E28FS+](#) [PCS-XE26SLFD+](#) [PCS-XE26SLFDT+](#) [G730VID08BDC24](#) [U90B2054081210](#) [38113800006](#) [DP3AR020WQ1R200](#) [Z4.102.0680.0](#) [500-1040](#) [500-1052](#) [500-1054](#) [ZP-4008-66L](#) [0709821002](#) [DX40-20P\(55\)](#) [5554841-1](#) [MS3474W18-8P-LC*](#) [U90B3054061110](#) [U65-E04-4020](#) [ZPF000000000097891](#) [747360449](#) [10099439-003C-TRLF](#) [10137239-0021LF](#) [E9320-001-01](#) [10137239-0011LF](#) [70289-001LF](#) [70.060.1028.0](#) [109029-ZZ](#)