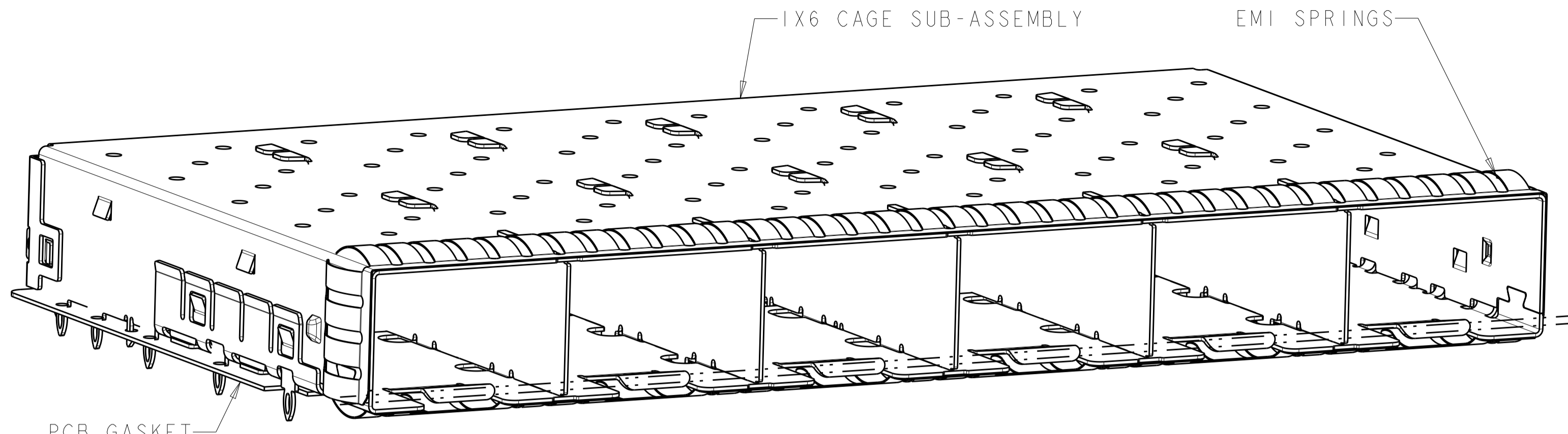
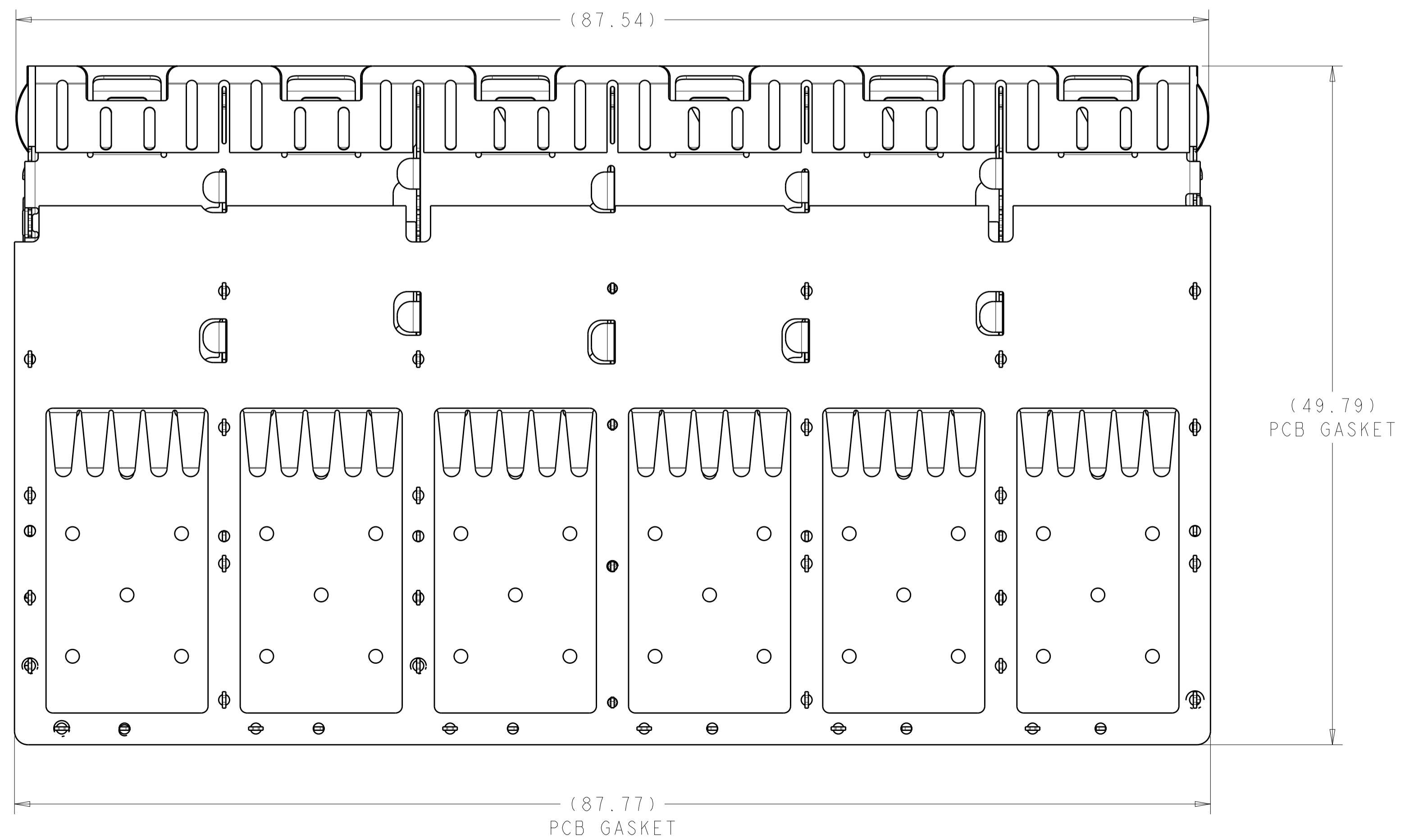
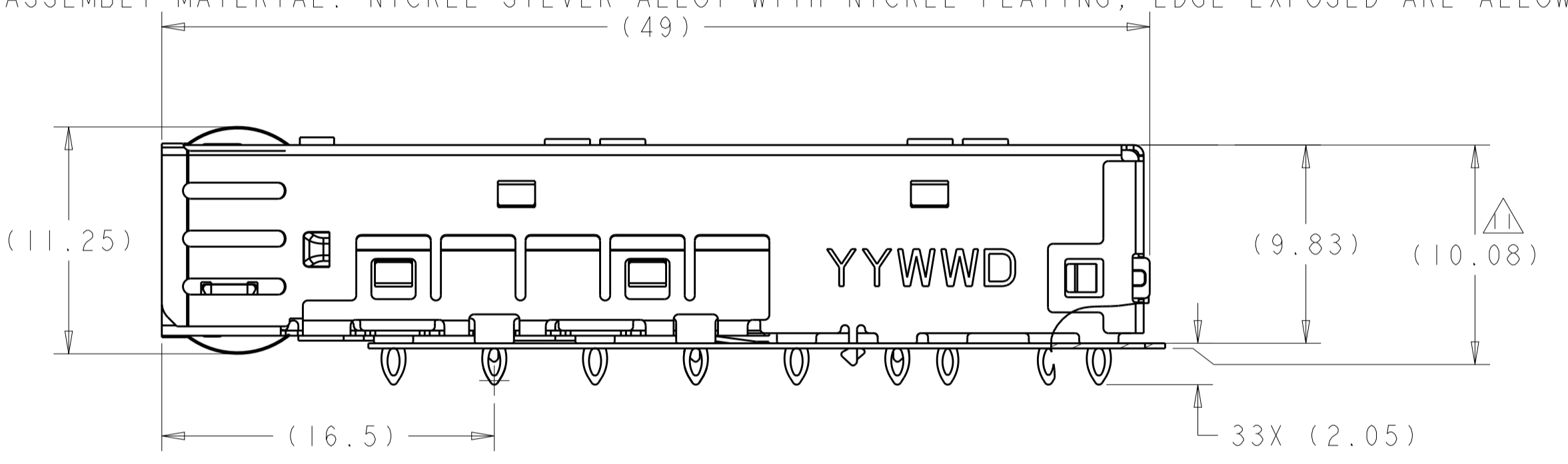
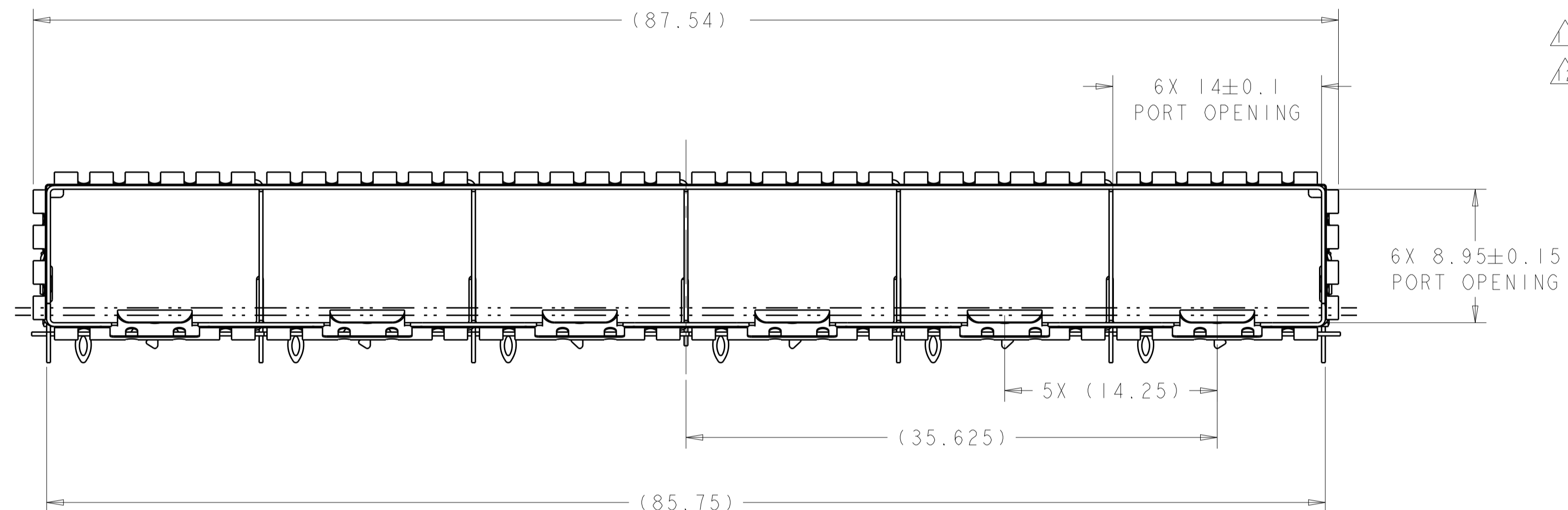


LOC	DIST	REVISIONS					
GP	00	P	LTN	DESCRIPTION	DATE	DWN	APVD
		A		REVISED PER ECO-15-002647	05MAR2015	AP	MS
		B		REVISED PER ECO-15-007912	29MAY2015	PP	SH
		B1		REVISED PER ECO-16-014593	13FEB2017	JW	SH
		B2		REVISED PER ECO-18-018494	26NOV2018	JW	SH



2227732-1/1-2227732-1  
SCALE 4:1

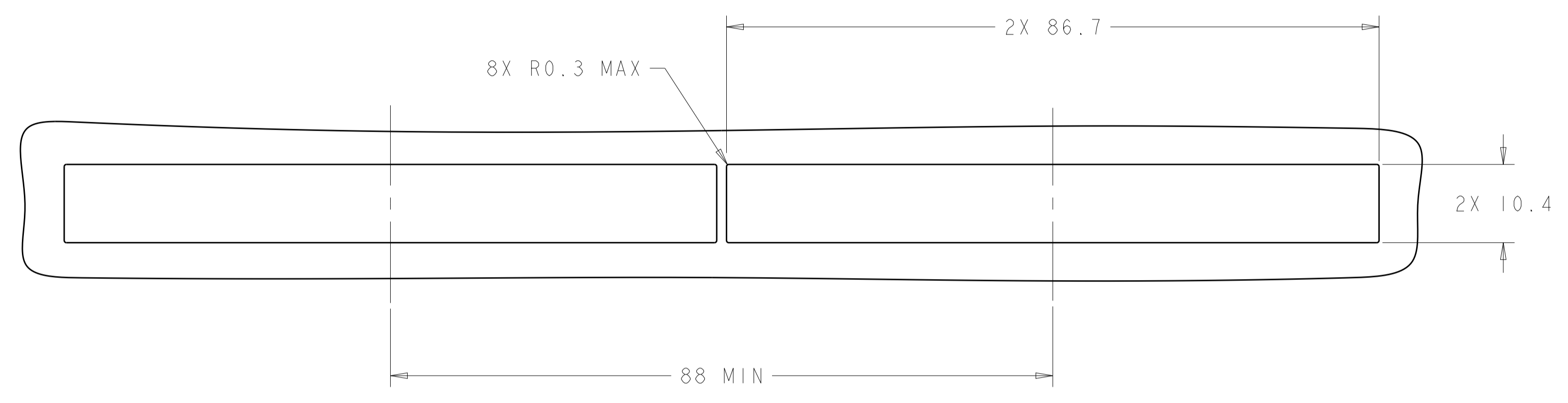
1. MATERIAL:  
CAGE ASSEMBLY: NICKEL SILVER ALLOY  
EMI SPRINGS: COPPER ALLOY WITH NICKEL PLATING  
PCB GASKET: RF ABSORBER
  2. MINIMUM PC BOARD THICKNESS:  
SINGLE SIDED = 1.45mm  
BELLY TO BELLY = 2.25mm
  3. PADS AND VIAS CHASSIS GROUND
  4. DATUM AND BASIC DIMENSION ESTABLISHED BY CUSTOMER
  5. MATES WITH SFP MSA COMPLIANT TRANSCEIVERS
  6. INTERPRETATION OF DATUM REFERENCE FRAME IN ACCORDANCE WITH SECT 4.4.1.1 OF ASME Y14.5M-1994
  7. REFERENCE APPLICATION SPEC. 114-13120, HOLE A, FOR RECOMMENDED DRILL HOLE DIAMETER AND PLATING THICKNESS
  8. REFERENCE APPLICATION SPEC. 114-13120, HOLE B, FOR RECOMMENDED DRILL HOLE DIAMETER AND PLATING THICKNESS
  9. HOLE PATTERN REPEATS FOR EACH PORT, SPACING BETWEEN PORTS IS 14.25mm
  10. PRODUCT COMPLIES WITH SPECIFICATION SFF-8433, IMPROVED PLUGGABLE FORM FACTOR FOR SFP+ GANGED CAGES
- ▲ CONTACT STANDOFF WILL PIERCE GASKET WHEN PROPERLY PRESSED INTO PCB.  
 ▲ CAGE ASSEMBLY MATERIAL: NICKEL SILVER ALLOY WITH NICKEL PLATING, EDGE EXPOSED ARE ALLOWED



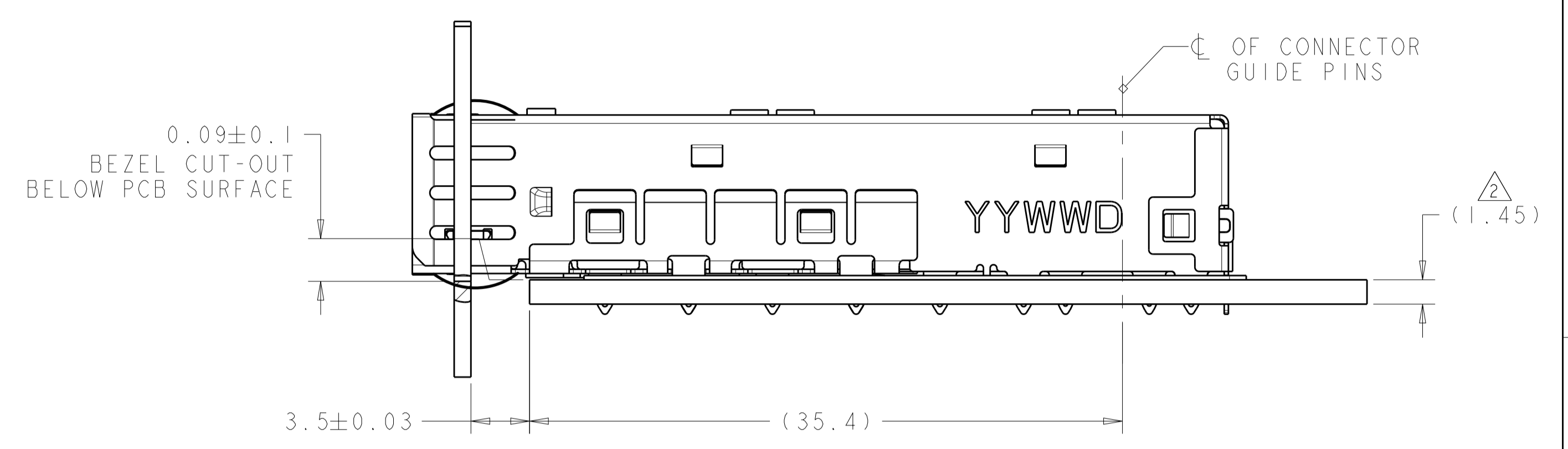
▲ 1-2227732-1  
2227732-1  
PART NUMBER

THIS DRAWING IS A CONTROLLED DOCUMENT. DIMENSIONING AND TOLERANCING PER ASME Y14.5M-2009.		DWN: C. VALENTINE 08MAR2013 CHK: M. PHILLIPS 08MAR2013 APVD: M. PHILLIPS 08MAR2013	TE Connectivity	
DIMENSIONS: mm	TOLERANCES UNLESS OTHERWISE SPECIFIED:	PRODUCT SPEC: 108-2364	NAME: CAGE ASSEMBLY, ENHANCED, PRESS-FIT, 1X6, zSFP+	
0 PLC ±0.25	1 PLC ±0.25	APPLICATION SPEC: 114-13120	SIZE: A1	RESTRICTED TO: -
2 PLC ±0.25	3 PLC ±0.25	WEIGHT: -	Customer Drawing	
4 PLC ±0.25	ANGLES ±1°	SCALE: 4:1	SHEET: 1	OF: 4
MATERIAL: -	FINISH: -	REV: B2		

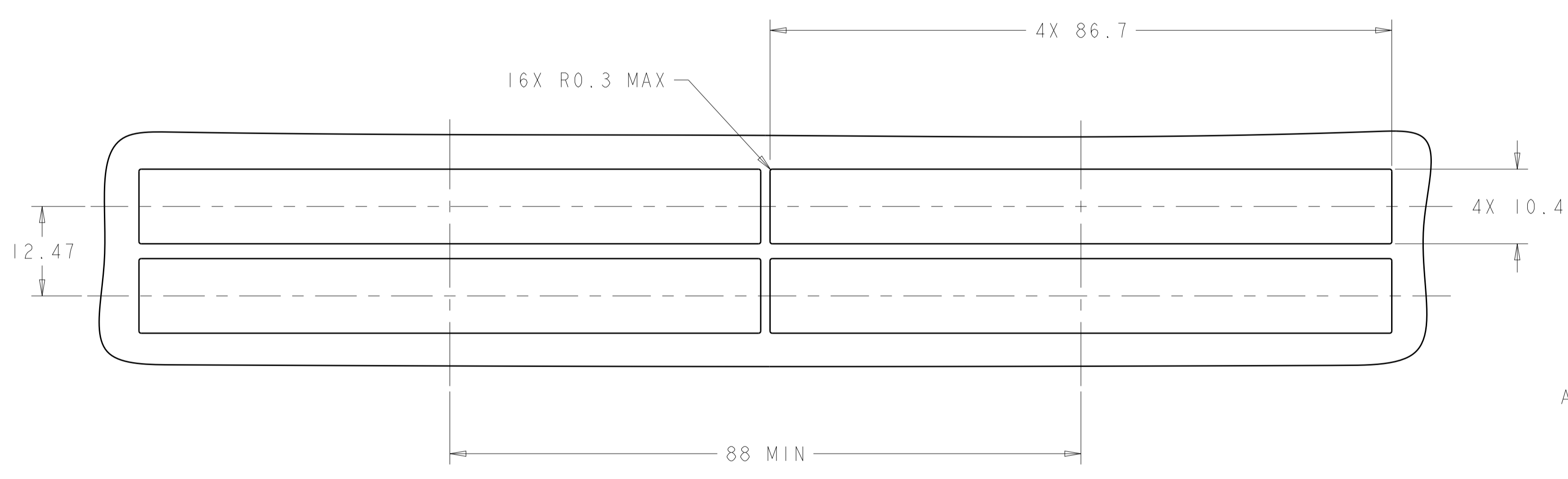
LOC		DIST		REVISIONS			
GP	00	P	LTN	DESCRIPTION	DATE	DMN	APVD
-	-	-	-	SEE SHEET 1	-	-	-



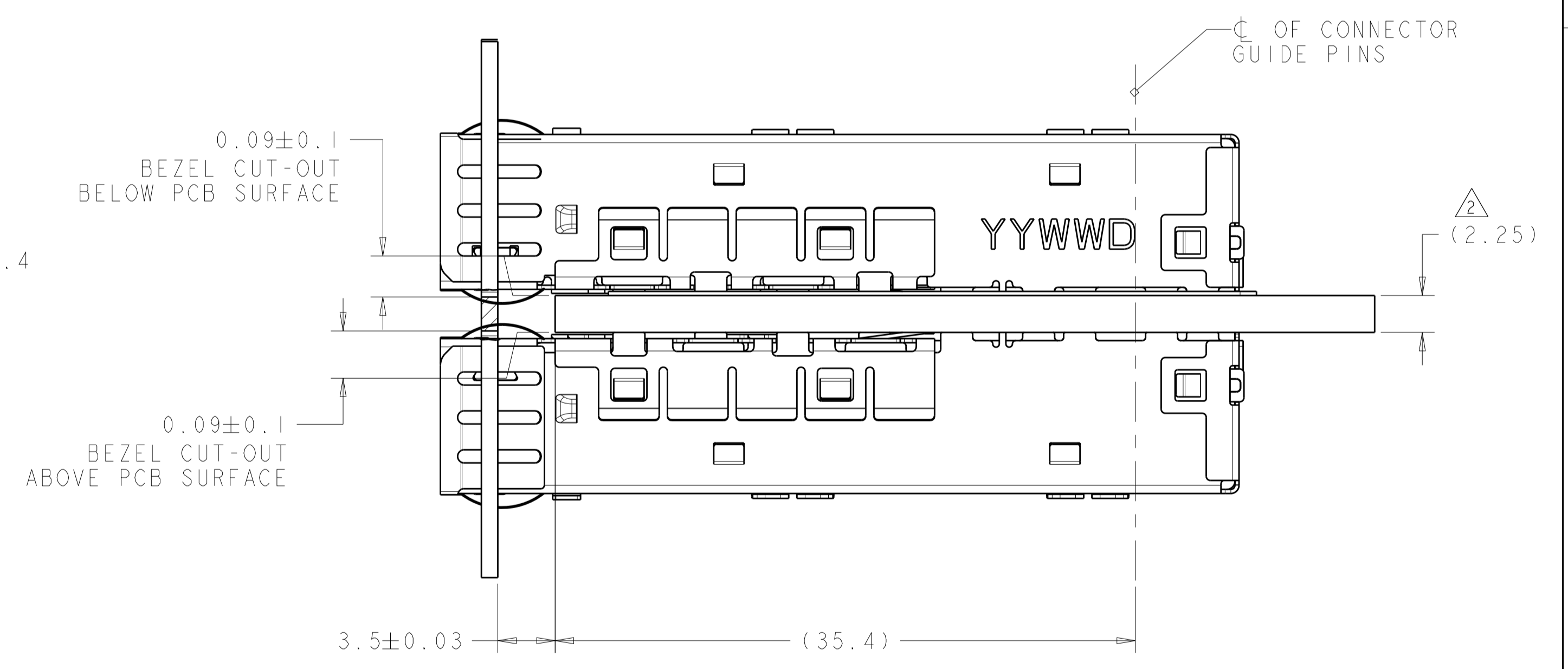
RECOMMENDED BEZEL OPENING  
 SINGLE SIDED APPLICATIONS  
 SCALE 2:1



MOUNTED ON PC BOARD  
 SHOWN THRU RECOMMENDED BEZEL  
 SCALE 4:1



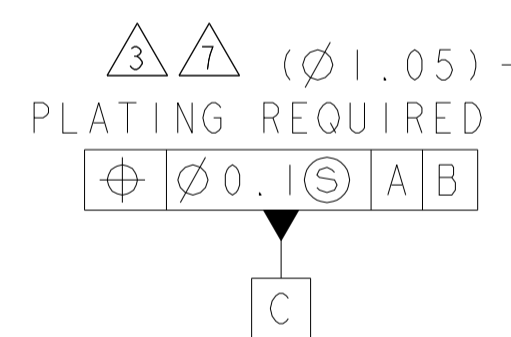
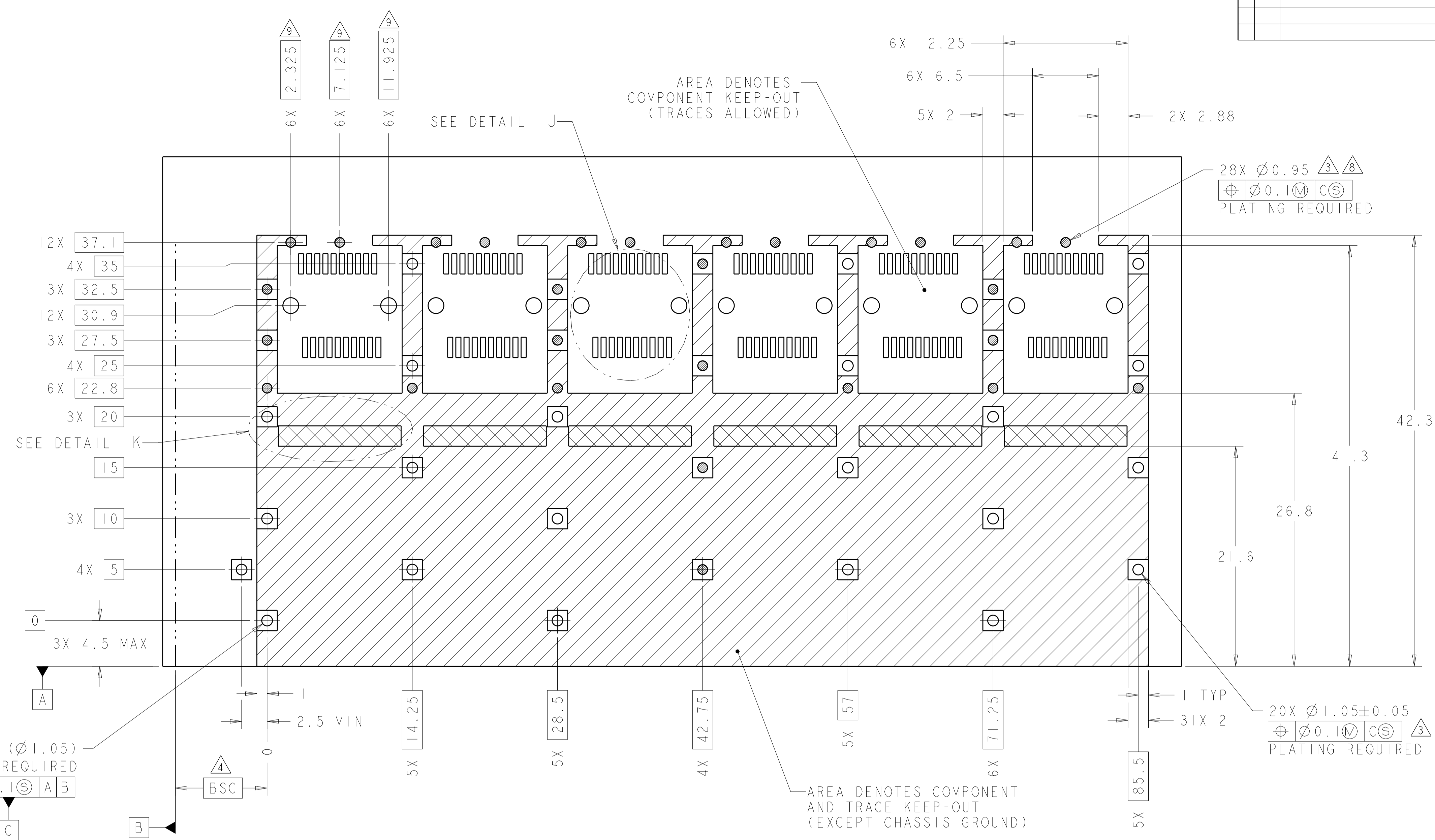
RECOMMENDED BEZEL OPENING  
 BELLY TO BELLY APPLICATIONS  
 SCALE 2:1



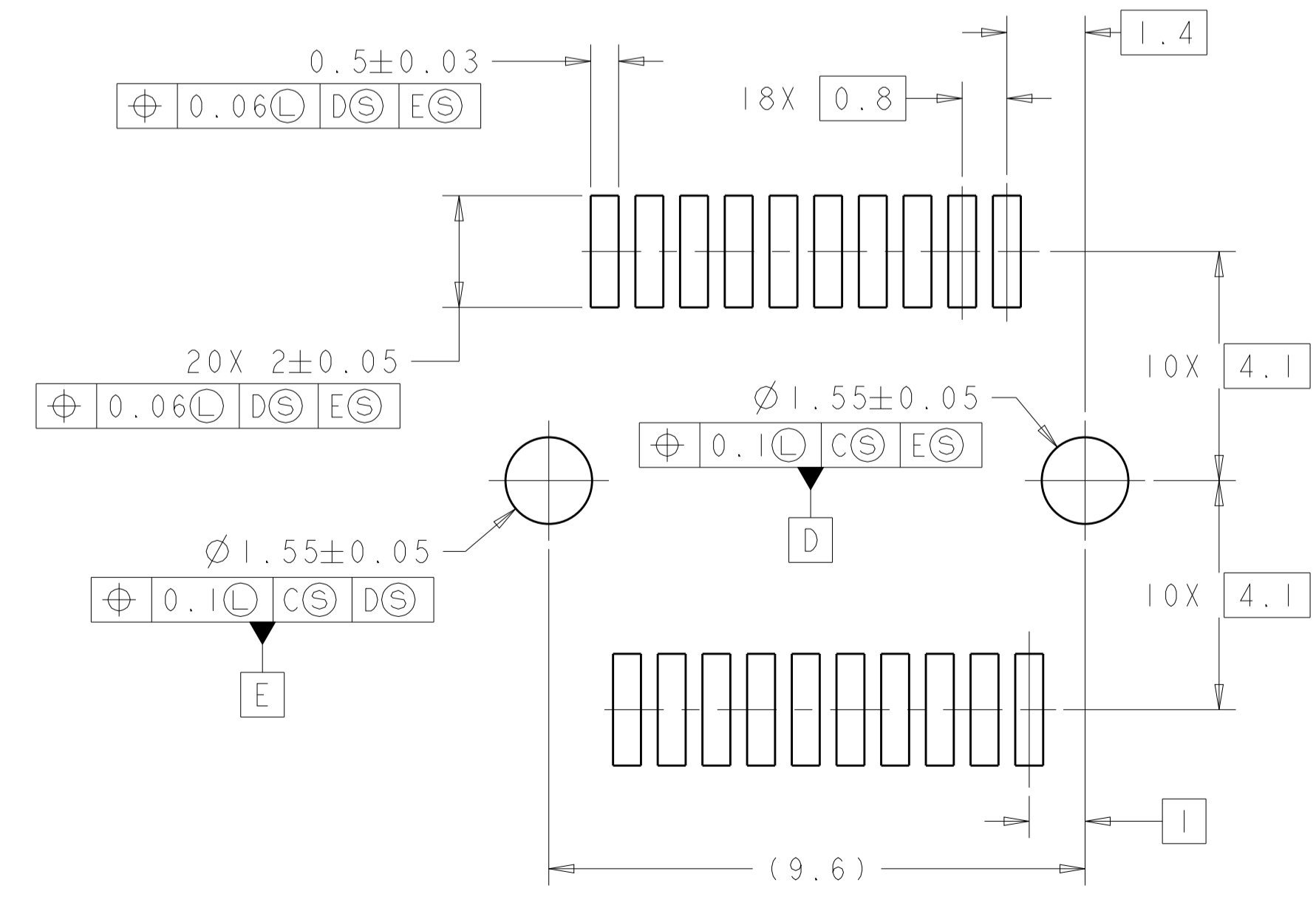
MOUNTED BELLY TO BELLY ON PC BOARD  
 SHOWN THRU RECOMMENDED BEZEL  
 SCALE 4:1

THIS DRAWING IS A CONTROLLED DOCUMENT. DIMENSIONING AND TOLERANCING PER ASME Y14.5M-2009		DMN C. VALENTINE 08MAR2013	TE Connectivity
TOLERANCES UNLESS OTHERWISE SPECIFIED:		CHK M. PHILLIPS 08MAR2013	
DIMENSIONS:	mm	APVD M. PHILLIPS 08MAR2013	NAME
	0 PLC ±0.1	PRODUCT SPEC	CAGE ASSEMBLY, ENHANCED, PRESS-FIT, 1X6, zSFP+
	2 PLC ±0.1	108-2364	
	3 PLC ±0.08	APPLICATION SPEC	
	4 PLC ±0.05	114-13120	
	ANGLES ±°	WEIGHT	
MATERIAL	FINISH	Customer Drawing	RESTRICTED TO
		SCALE 4:1	SHEET 2 OF 4
		REV B2	

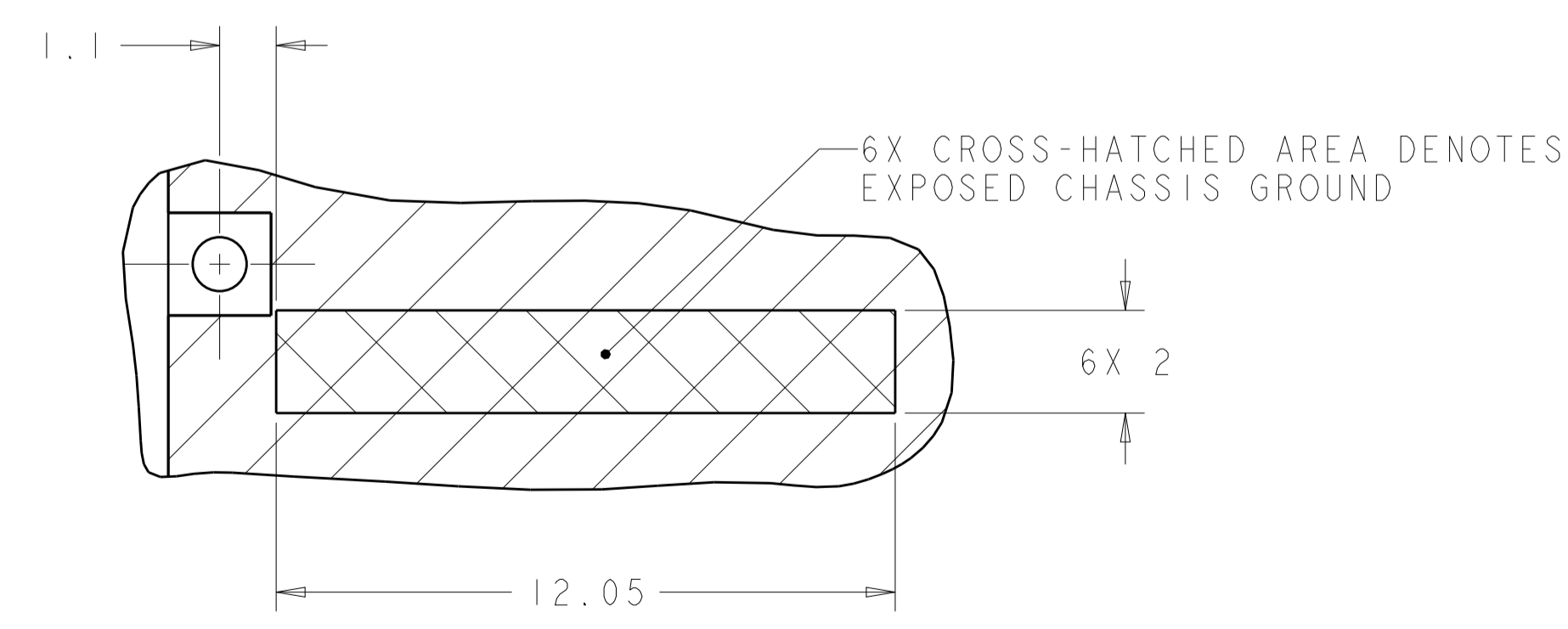
LOC	DIST	REV	DATE	BY	APPV
GP	00				



RECOMMENDED PCB CONFIGURATION WITH KEEP-OUT AREAS FOR SINGLE SIDED APPLICATION SCALE 4:1



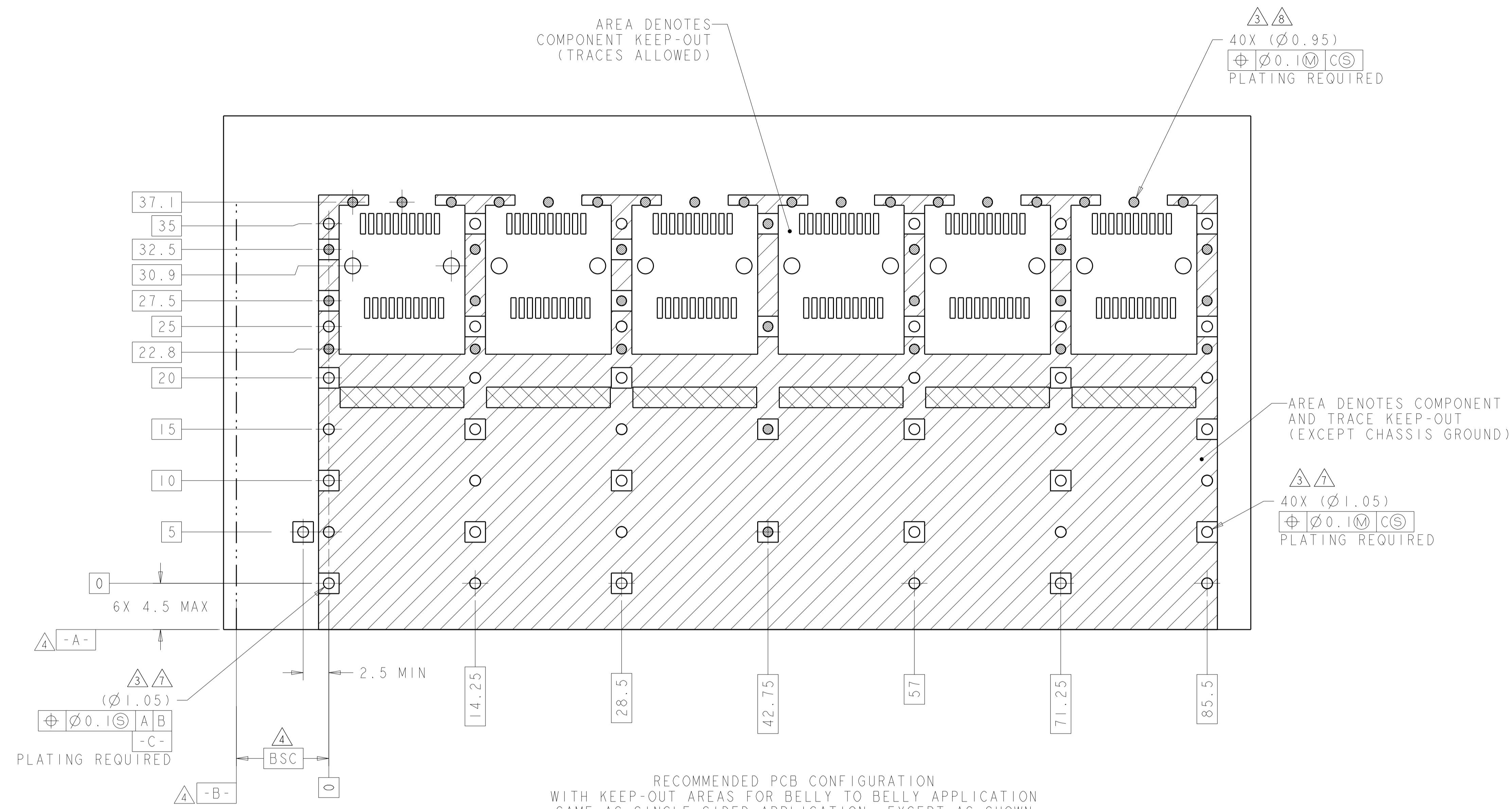
DETAIL J  
RECOMMENDED PT CONNECTOR LAYOUT  
SCALE 10:1



DETAIL K  
SCALE 8:1

THIS DRAWING IS A CONTROLLED DOCUMENT. DIMENSIONING AND TOLERANCING PER ASME Y14.5M-2009.		OWN: C. VALENTINE 08MAR2013 CHK: M. PHILLIPS 08MAR2013 APPV: M. PHILLIPS 08MAR2013	NAME: CAGE ASSEMBLY, ENHANCED, PRESS-FIT, 1X6, zSFP+
DIMENSIONS: mm	TOLERANCES UNLESS OTHERWISE SPECIFIED:	PRODUCT SPEC: 108-2364	SIZE: CAGE CODE DRAWING NO: A100779C=2227732
0 PLC $\pm 0.1$	1 PLC $\pm 0.1$	APPLICATION SPEC: 114-13120	RESTRICTED TO: -
2 PLC $\pm 0.08$	3 PLC $\pm 0.05$	WEIGHT: -	SCALE: 4:1
4 PLC $\pm 0.05$	ANGLES: $\pm 1^\circ$	Customer Drawing	SHEET 3 OF 4
MATERIAL: -	FINISH: -		REV: B2

LOC	DIST	REVISIONS			
P	LTN	DESCRIPTION	DATE	DWN	APVD
-	-	SEE SHEET 1	-	-	-



RECOMMENDED PCB CONFIGURATION  
 WITH KEEP-OUT AREAS FOR BELLY TO BELLY APPLICATION  
 SAME AS SINGLE SIDED APPLICATION, EXCEPT AS SHOWN  
 SCALE 4:1

THIS DRAWING IS A CONTROLLED DOCUMENT. DIMENSIONING AND TOLERANCING PER ASME Y14.5M-2009		DWN C. VALENTINE 08MAR2013	TE Connectivity
DIMENSIONS: mm		CHK M. PHILLIPS 08MAR2013	
TOLERANCES UNLESS OTHERWISE SPECIFIED: 0 PLC ±0.1 1 PLC ±0.1 2 PLC ±0.08 3 PLC ±0.05 4 PLC ± ANGLES ±°		APVD M. PHILLIPS 08MAR2013	NAME CAGE ASSEMBLY, ENHANCED, PRESS-FIT, 1X6, zSFP+
MATERIAL		PRODUCT SPEC 108-2364	SIZE 114-13120
FINISH		APPLICATION SPEC	RESTRICTED TO
Customer Drawing		WEIGHT	A100779C=2227732
SCALE 4:1		SHEET 4 OF 4	REV B2

## X-ON Electronics

Largest Supplier of Electrical and Electronic Components

*Click to view similar products for [I/O Connectors](#) category:*

*Click to view products by [TE Connectivity](#) manufacturer:*

Other Similar products are found below :

[571763P](#) [58098-0628](#) [72.250.1628.2](#) [72.250.2428.2](#) [74720-0505](#) [76.350.0729.0](#) [76871-1403](#) [FCN-244F080-G/1](#) [FCN-260A9920](#) [PCR-E36PM](#) [PCS-XE26MA+](#) [G38A71314B](#) [1571250010](#) [157-22500-3](#) [MS3471L14-19P L/C](#) [172501-4002](#) [172501-6002](#) [FCN-260C008-A/L0](#) [FCN-260C024-AL0](#) [FCN-261Z008](#) [2000314-1](#) [200331-1](#) [PCR-E36FC+](#) [PCS-E28FS+](#) [PCS-XE26SLFD+](#) [PCS-XE26SLFDT+](#) [G730VID08BDC24](#) [U90B2054081210](#) [38113800006](#) [DP3AR020WQ1R200](#) [Z4.102.0680.0](#) [500-1040](#) [500-1052](#) [500-1054](#) [ZP-4008-66L](#) [0709821002](#) [DX40-20P\(55\)](#) [5554841-1](#) [MS3474W18-8P-LC\\*](#) [U90B3054061110](#) [U65-E04-4020](#) [ZPF000000000097891](#) [747360449](#) [10099439-003C-TRLF](#) [10137239-0021LF](#) [E9320-001-01](#) [10137239-0011LF](#) [70289-001LF](#) [70.060.1028.0](#) [109029-ZZ](#)