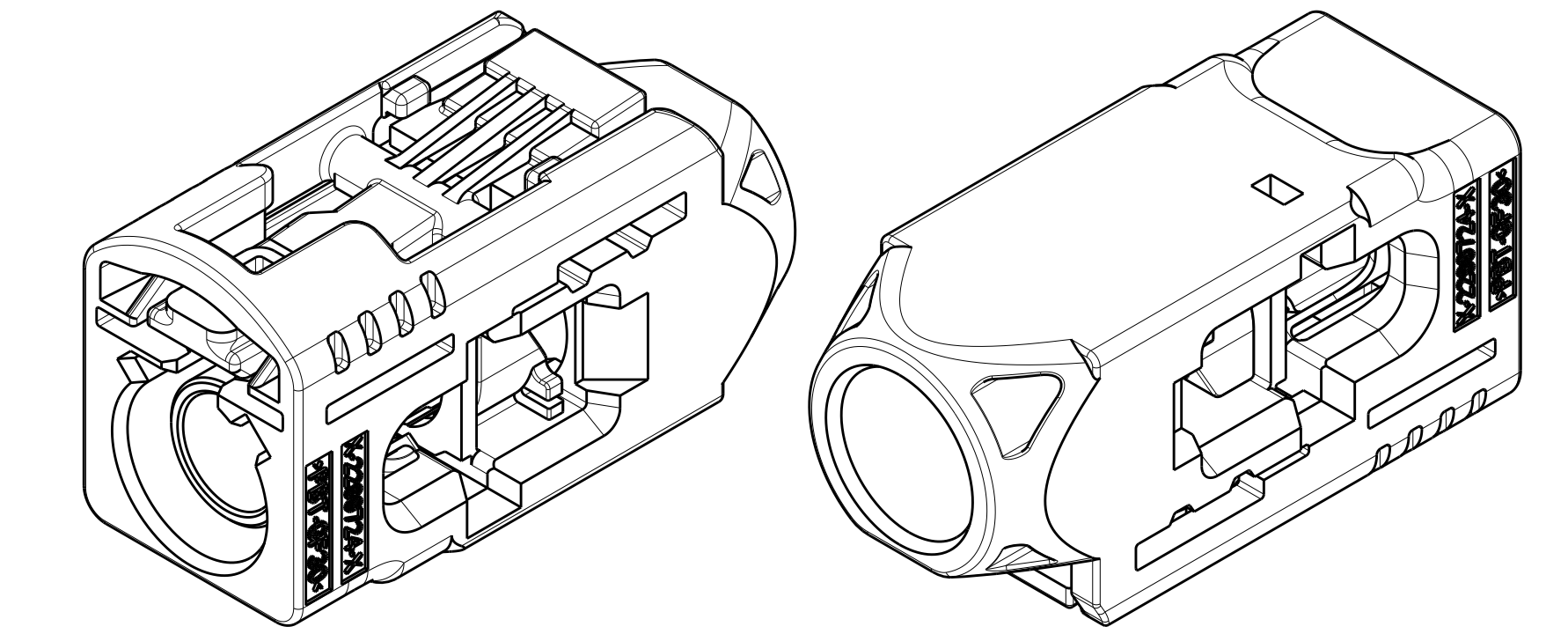
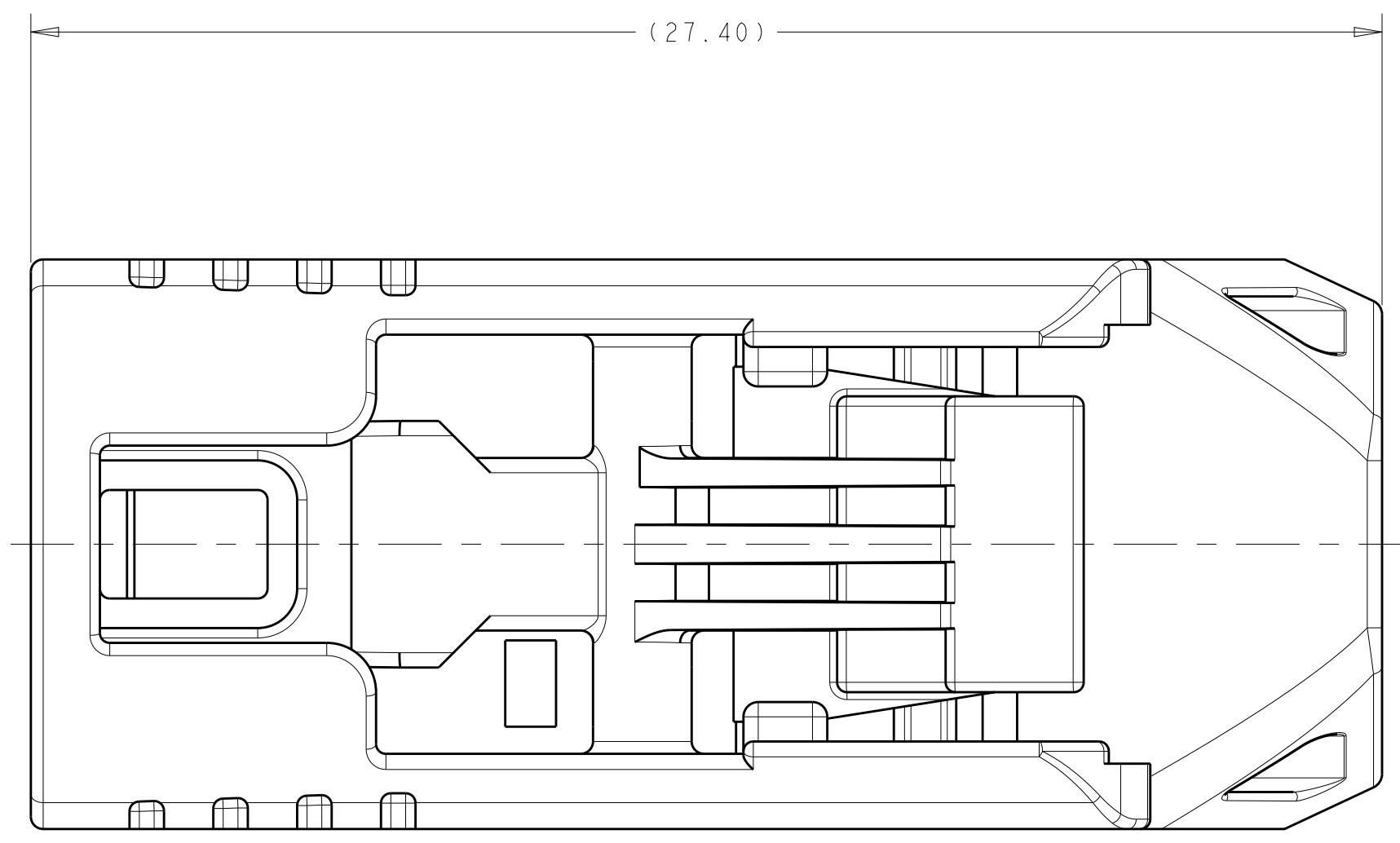
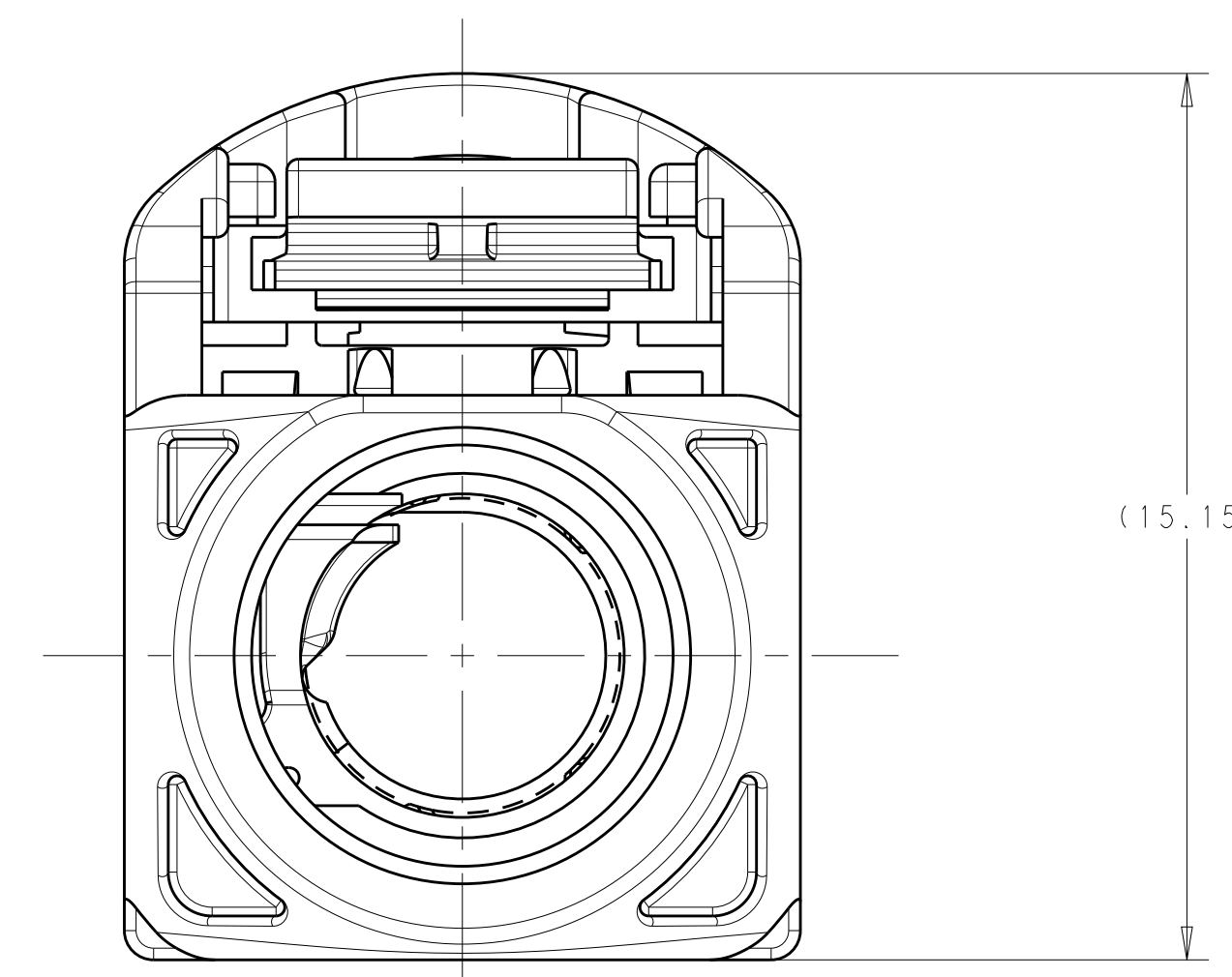
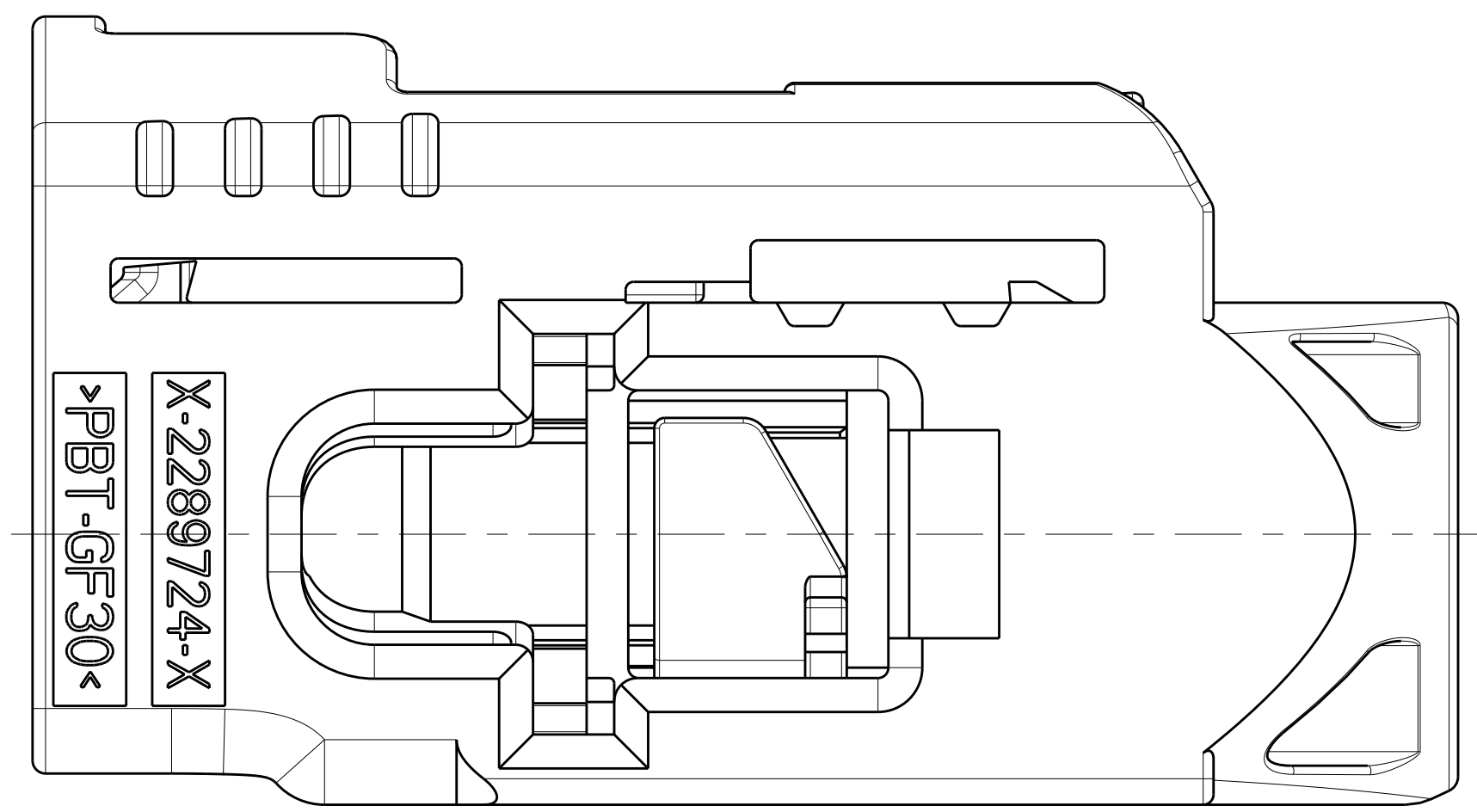
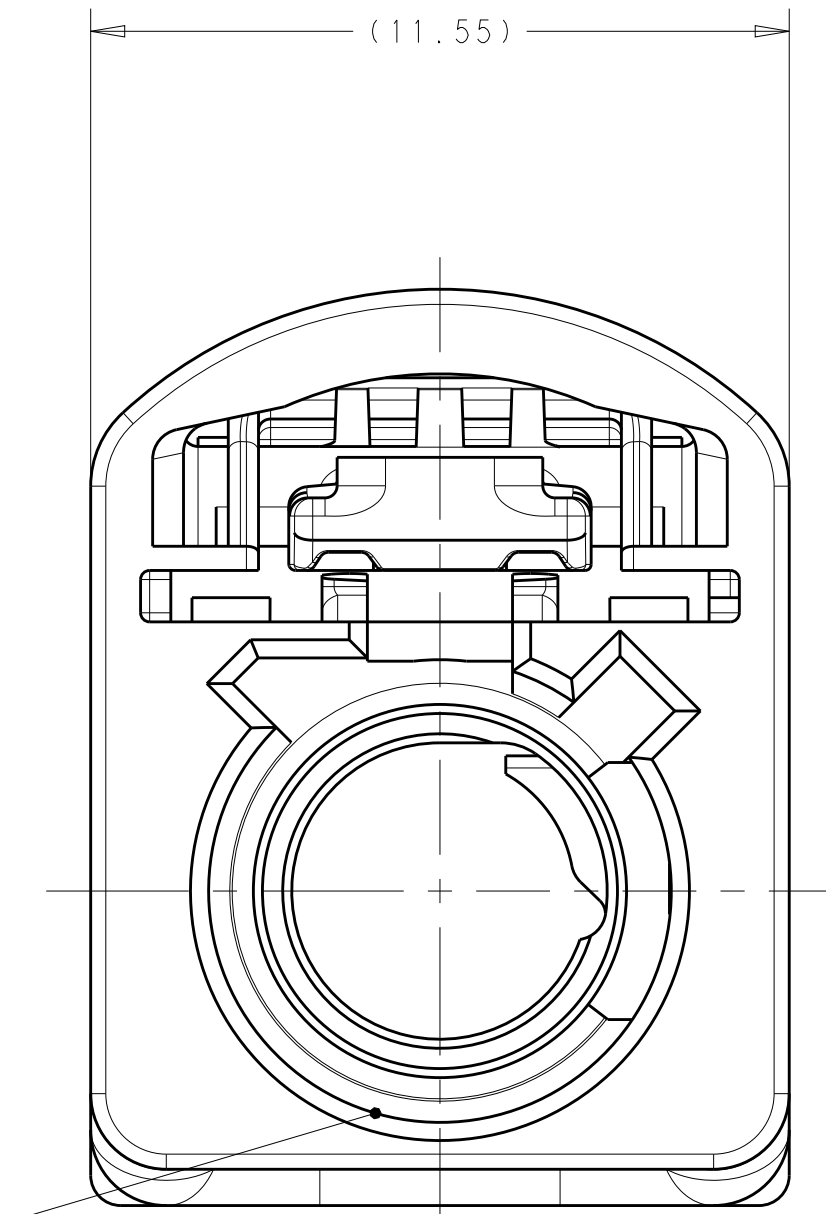


| REVISIONS |     |                  |           |         |
|-----------|-----|------------------|-----------|---------|
| P.        | LTN | DESCRIPTION      | DATE      | APVD    |
| 1         |     | INITIAL DRAWING. | 21JUN2017 | JAB ERL |
|           |     |                  |           |         |
|           |     |                  |           |         |



ISOMETRIC VIEWS  
SCALE 4:1



|          |              |                |             |
|----------|--------------|----------------|-------------|
| Z        | PER DETAIL Z | WATER BLUE     | 2-2289724-0 |
| N        | PER DETAIL N | PASTEL GREEN   | 1-2289724-3 |
| M        | PER DETAIL M | PASTEL ORANGE  | 1-2289724-2 |
| L        | PER DETAIL L | CARMINE RED    | 1-2289724-1 |
| K        | PER DETAIL K | CURRY          | 1-2289724-0 |
| I        | PER DETAIL I | BEIGE          | 2289724-9   |
| H        | PER DETAIL H | HEATHER VIOLET | 2289724-8   |
| G        | PER DETAIL G | BLUE GREY      | 2289724-7   |
| F        | PER DETAIL F | NUT BROWN      | 2289724-6   |
| E        | PER DETAIL E | LEAF GREEN     | 2289724-5   |
| D        | PER DETAIL D | CLARET VIOLET  | 2289724-4   |
| C        | PER DETAIL C | SIGNAL BLUE    | 2289724-3   |
| B        | PER DETAIL B | CREAM          | 2289724-2   |
| A        | PER DETAIL A | JET BLACK      | 2289724-1   |
| KEY CODE | KEYING       | CODING COLOR   | PART NUMBER |

- 1. 2289724-1 AS SHOWN.
- MATERIAL, POLYESTER PBT, COLOR SEE TABLE.
- FEMALE INTERFACE PER ISO-20860-1, ISO-20860-2, SAE/USCAR-17, SAE/USCAR-18

THIS PRINT IS  
**PRELIMINARY**  
 FOR QUOTING PURPOSES ONLY  
 CONTACT PRODUCT ENGINEERING  
 BEFORE USING THIS PRINT

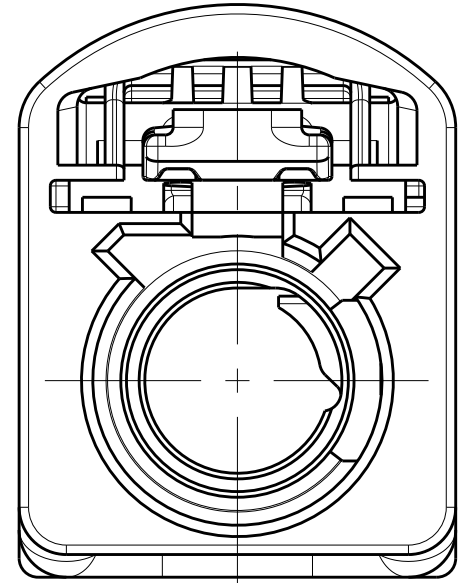
THIS DRAWING IS A CONTROLLED DOCUMENT.

|             |   |   |                                     |
|-------------|---|---|-------------------------------------|
| DIMENSIONS: | TOLERANCES UNLESS OTHERWISE SPECIFIED:                          | APVD                                    | DATE                                |
| mm          | 0 PLC ±<br>1 PLC ±<br>2 PLC ±<br>3 PLC ±<br>4 PLC ±<br>ANGLES ± | J. A. BAKER<br>E. R. LOVE<br>E. R. LOVE | 21JUN2017<br>28JUL2017<br>28JUL2017 |
| MATERIAL    | FINISH  | PRODUCT SPEC                            | NAME                                |
| 2           |   | 108-32137<br>114-32145                  | FEMALE HOUSING, 1 POSITION, FAKRA   |
|             |   | APPLICATION SPEC                        | SIZE                                |
|             |   | WEIGHT                                  | A1                                  |
|             |   | CUSTOMER DRAWING                        | SCALE 8:1 SHEET 1 OF 3 REV 1        |

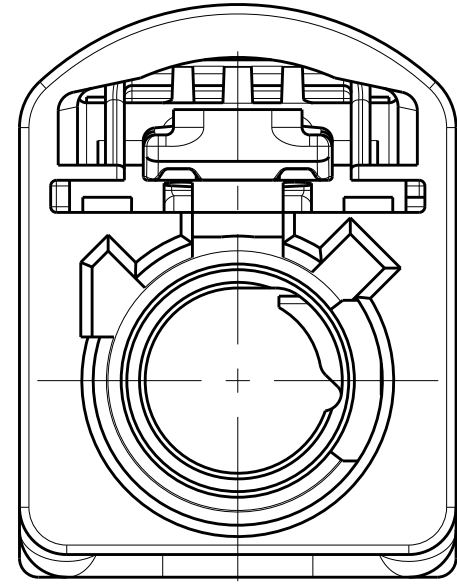
TE Connectivity

THIS DRAWING IS UNPUBLISHED. RELEASED FOR PUBLICATION. COPYRIGHT copyright\_d81e- ALL RIGHTS RESERVED.

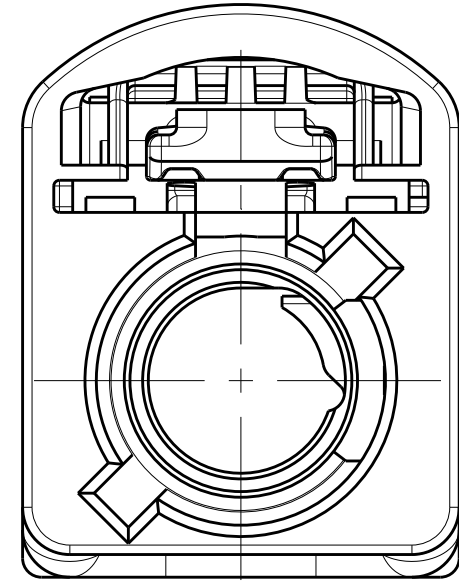
| REVISIONS |     |             |      |       |
|-----------|-----|-------------|------|-------|
| P.        | LTN | DESCRIPTION | DATE | APP'D |
| -         | -   | SEE SHEET 1 | -    | -     |
|           |     |             |      |       |
|           |     |             |      |       |



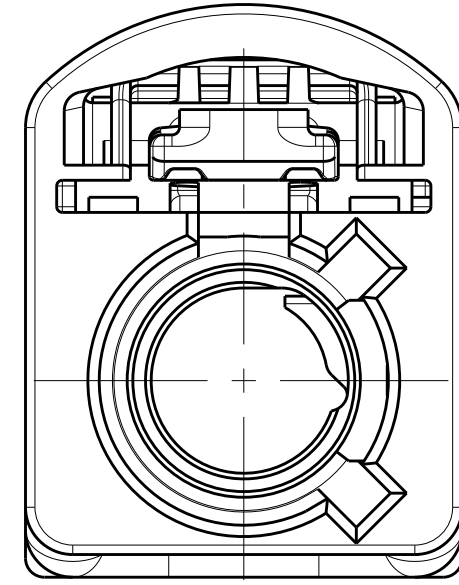
DETAIL A  
SCALE 5:1



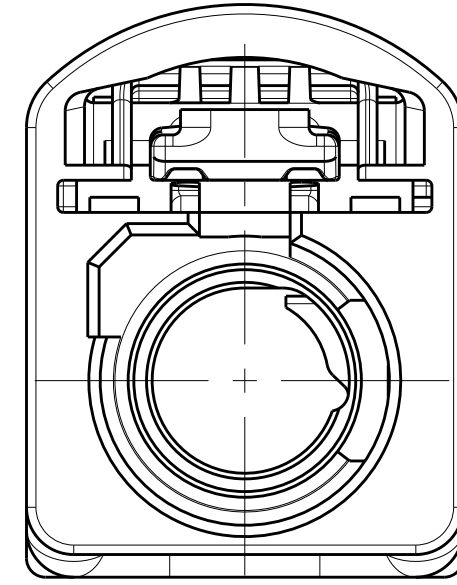
DETAIL B  
SCALE 5:1



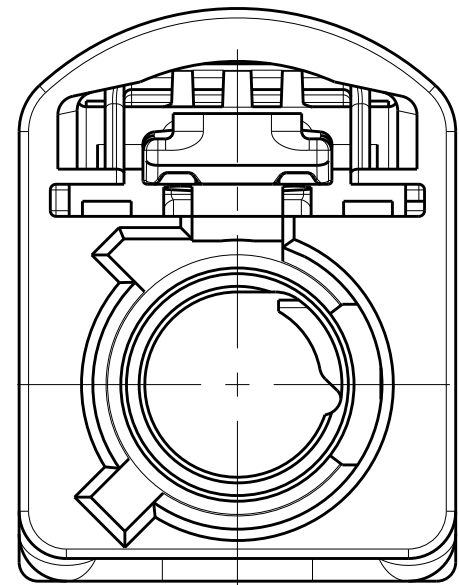
DETAIL C  
SCALE 5:1



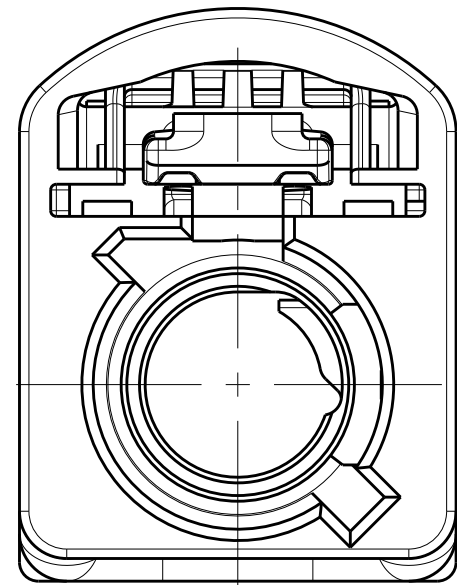
DETAIL D  
SCALE 5:1



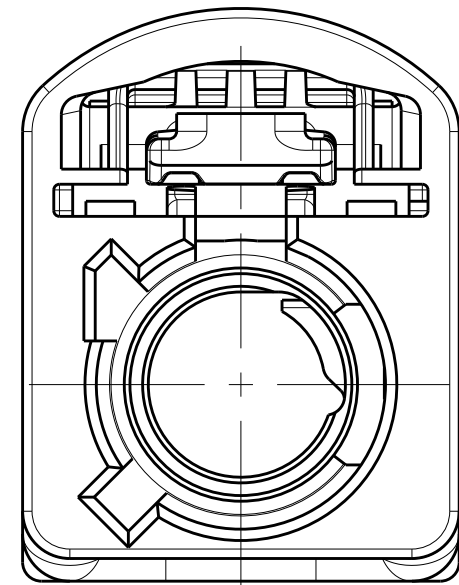
DETAIL E  
SCALE 5:1



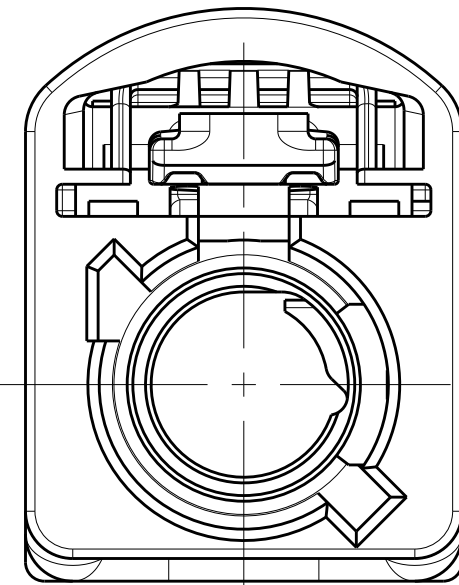
DETAIL F  
SCALE 5:1



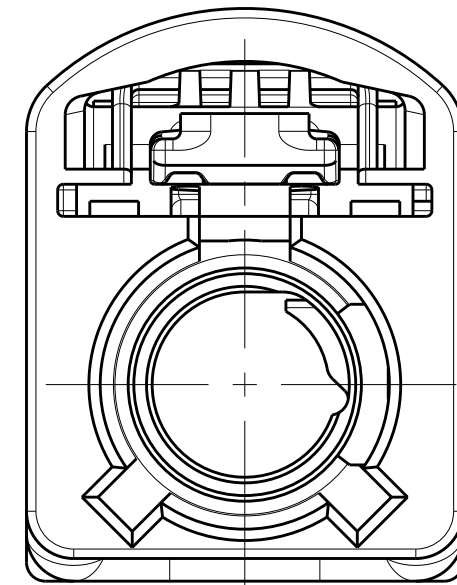
DETAIL G  
SCALE 5:1



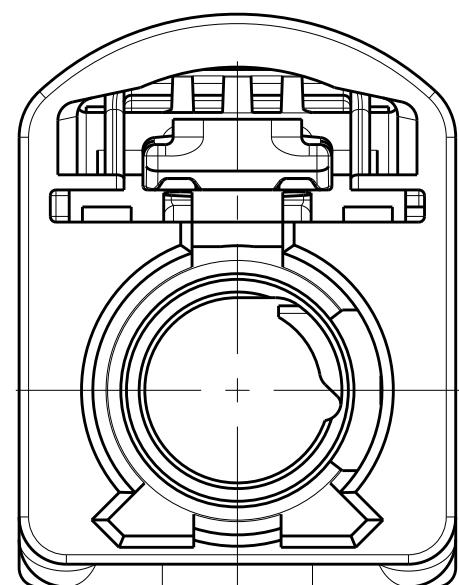
DETAIL H  
SCALE 5:1



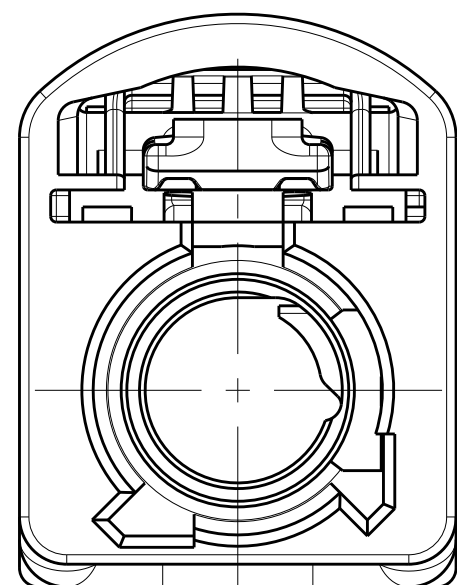
DETAIL I  
SCALE 5:1



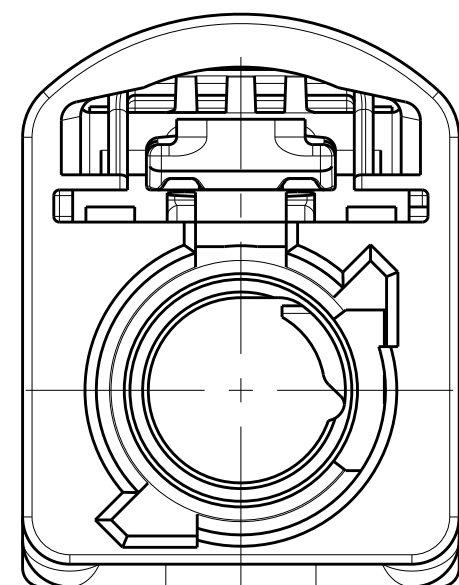
DETAIL K  
SCALE 5:1



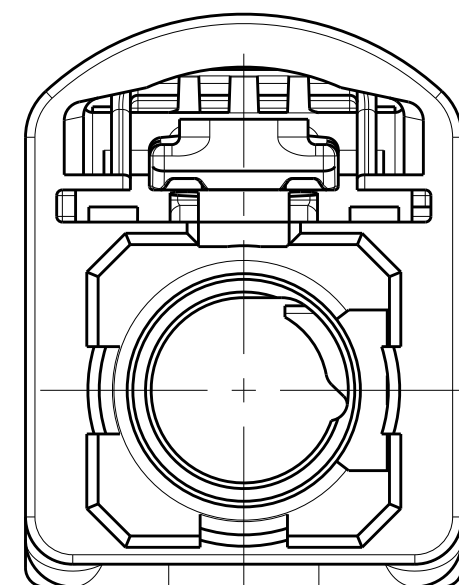
DETAIL L  
SCALE 5:1



DETAIL M  
SCALE 5:1



DETAIL N  
SCALE 5:1



DETAIL Z  
SCALE 5:1

THIS PRINT IS  
**PRELIMINARY**  
FOR QUOTING PURPOSES ONLY  
CONTACT PRODUCT ENGINEERING  
BEFORE USING THIS PRINT

|  |   |  |           |  |       |
|--|---|--|-----------|--|-------|
| THIS DRAWING IS A CONTROLLED DOCUMENT. |   | DWN J.A.BAKER 21JUN2017<br>CHK E.R.LOVE 28JUL2017<br>APVD E.R.LOVE 28JUL2017         |           | NAME FEMALE HOUSING, 1 POSITION, FAKRA                             |       |
| DIMENSIONS:<br>mm<br>                  | TOLERANCES UNLESS OTHERWISE SPECIFIED:<br>0 PLC ±<br>1 PLC ±<br>2 PLC ±<br>3 PLC ±<br>4 PLC ±<br>ANGLES ± | PRODUCT SPEC 108-32137<br>APPLICATION SPEC 114-32145<br>WEIGHT -<br>CUSTOMER DRAWING |           | SIZE A1<br>CAGE CODE -<br>DRAWING NO. C=2289724<br>RESTRICTED TO - |       |
|  |   |  | SCALE 8:1 | SHEET 2 OF 3   | REV 1 |



## X-ON Electronics

Largest Supplier of Electrical and Electronic Components

*Click to view similar products for [Headers & Wire Housings](#) category:*

*Click to view products by [TE Connectivity](#) manufacturer:*

Other Similar products are found below :

[892-18-020-10-001101](#) [58102-G61-06LF](#) [582553-1](#) [0009485154](#) [009176003701906](#) [0050291907](#) [LY20-4P-DT1-P1E-BR](#) [02.125.8002.8](#)  
[609-3404](#) [61062-3](#) [61082-181009](#) [622-3653LF](#) [63453-116](#) [636-1030](#) [636-1427](#) [636-3427](#) [636-4007](#) [641938-9](#) [641991-4](#) [644827-2](#) [65817-](#)  
[010LF](#) [65817-015LF](#) [65863-015LF](#) [66207-023LF](#) [67095-007LF](#) [67601157](#) [68645-018](#) [68648-049](#) [70.362.1628.0](#) [70-4210](#) [70-4226B](#) [70-](#)  
[4853B](#) [707-5020](#) [707-5028](#) [71.350.2428.0](#) [71918-208LF](#) [71961-016LF](#) [733-134](#) [733-162](#) [754199-000](#) [760-3052](#) [787-8014-00](#) [79531-3000](#)  
[FCN-360C032-B](#) [FCN-367T-T012/H](#) [FCN-723D010/2](#) [80.063.4001.1](#) [800-90-001-10-001000](#) [800-90-010-10-002000](#) [801-43-002-10-013000](#)