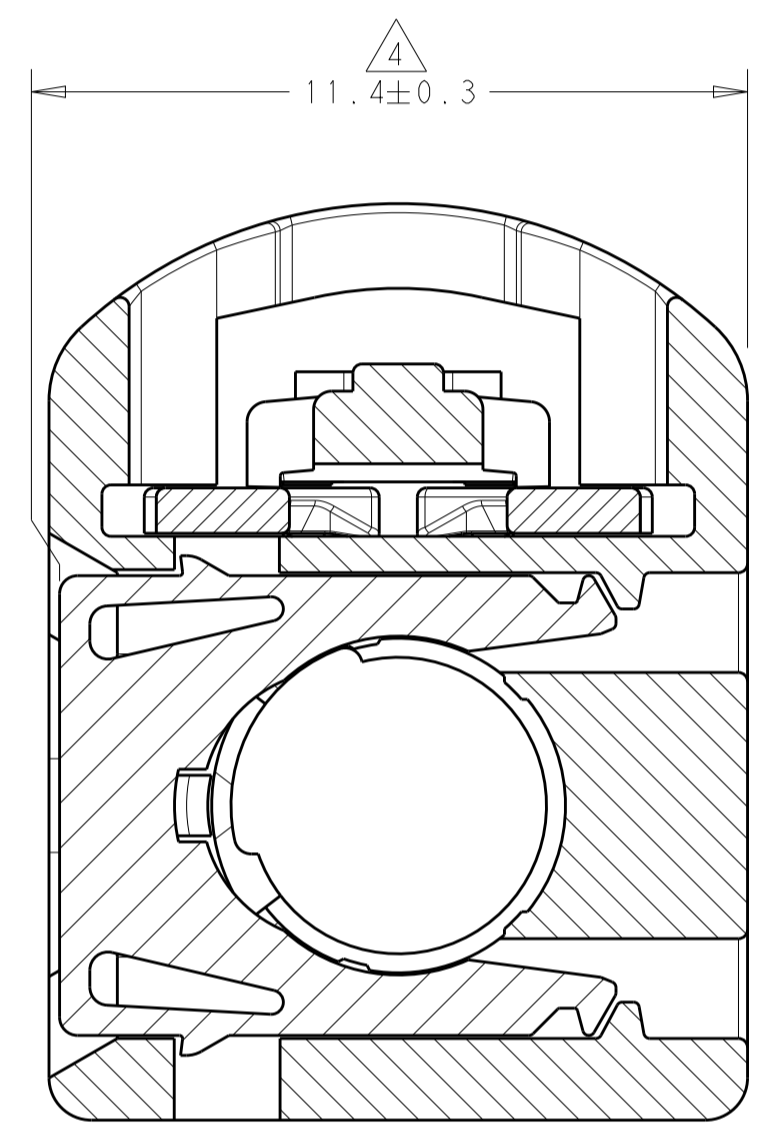
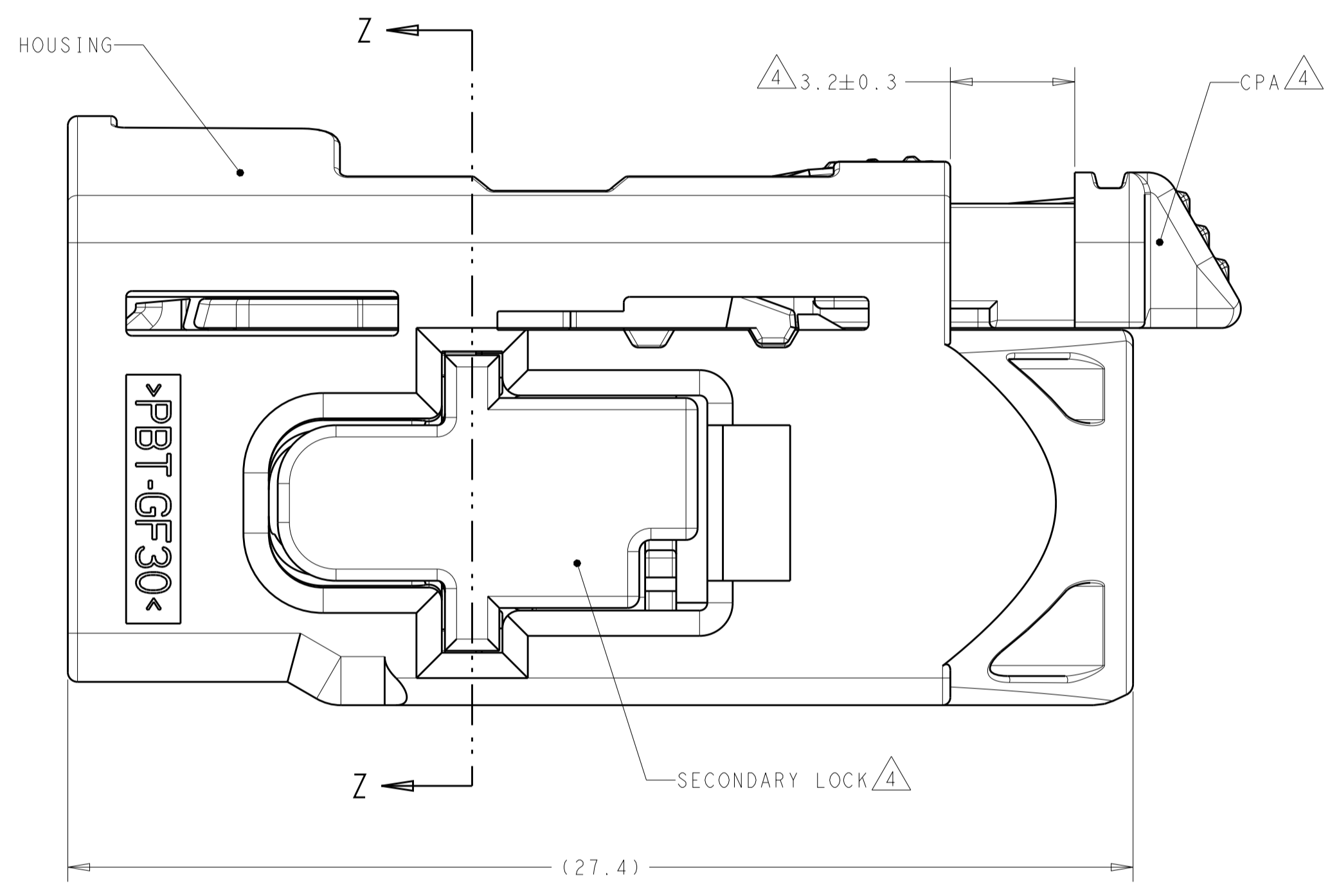
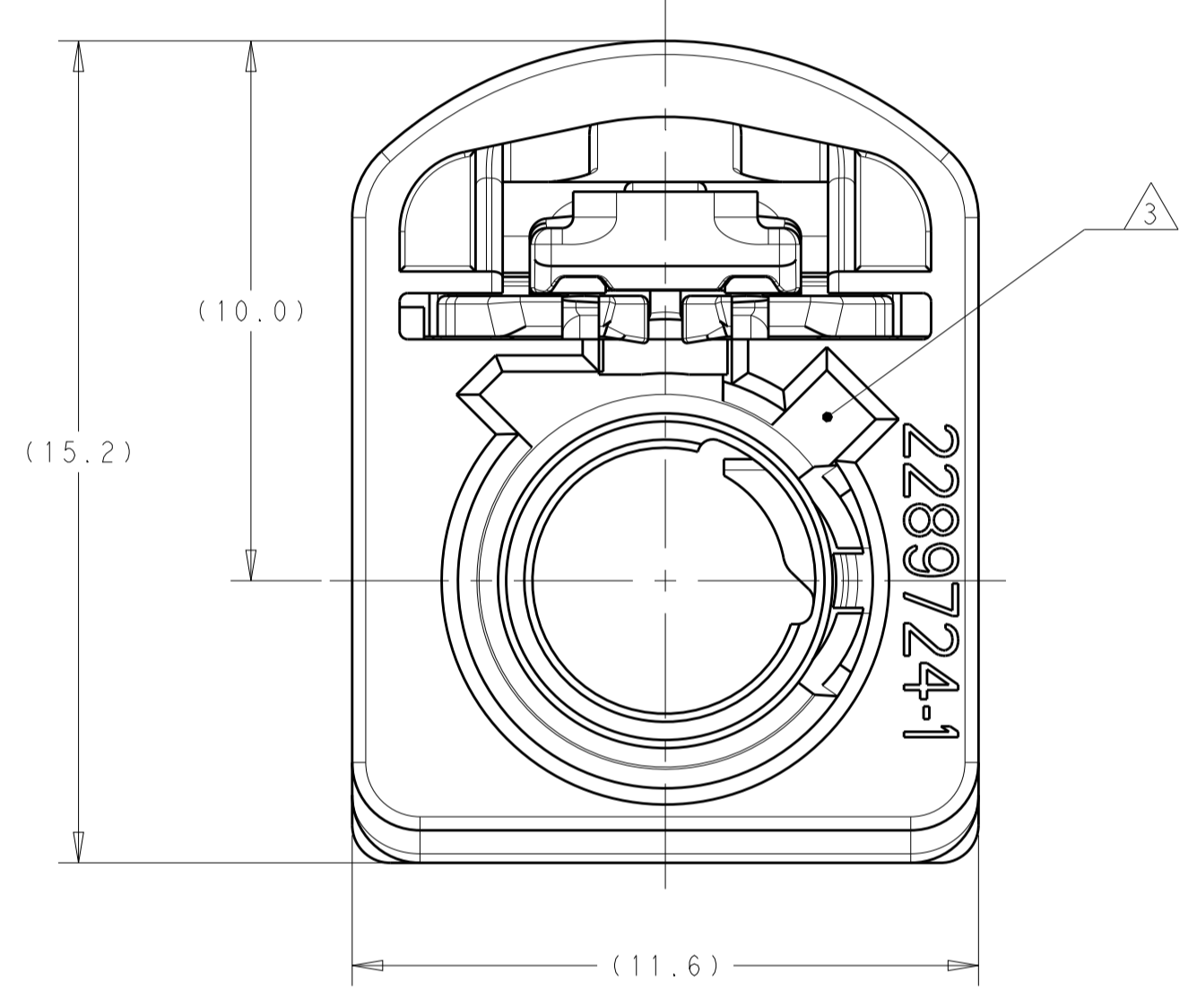
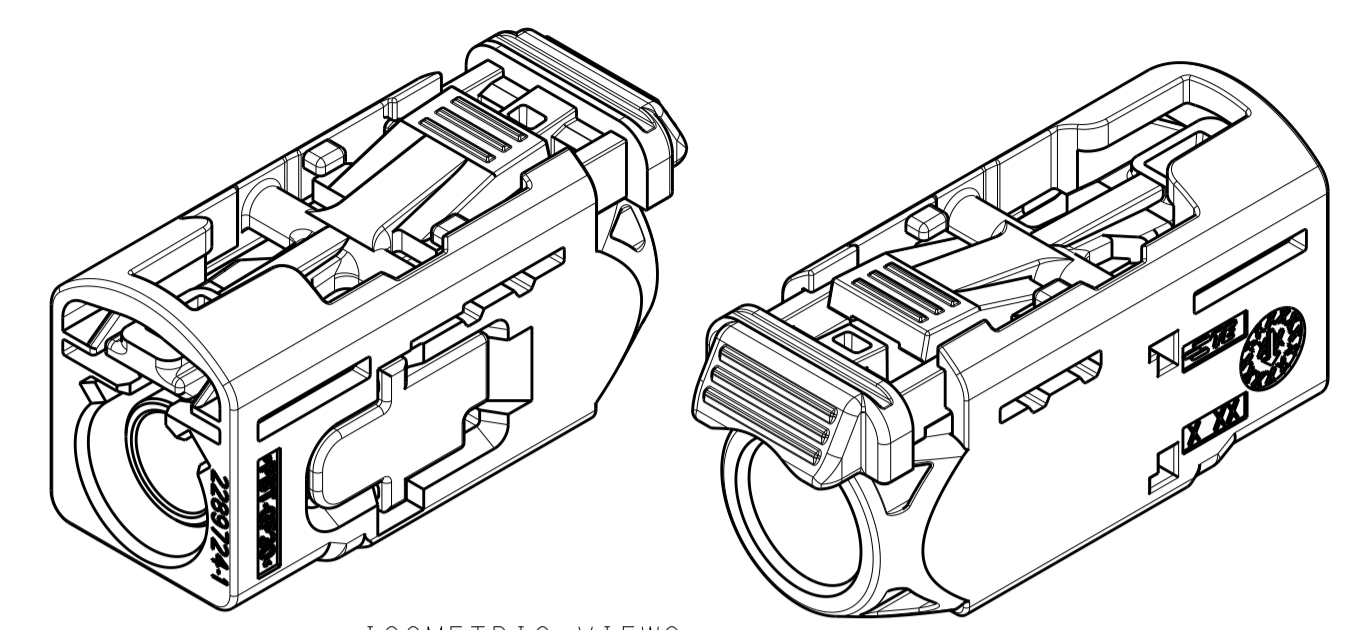
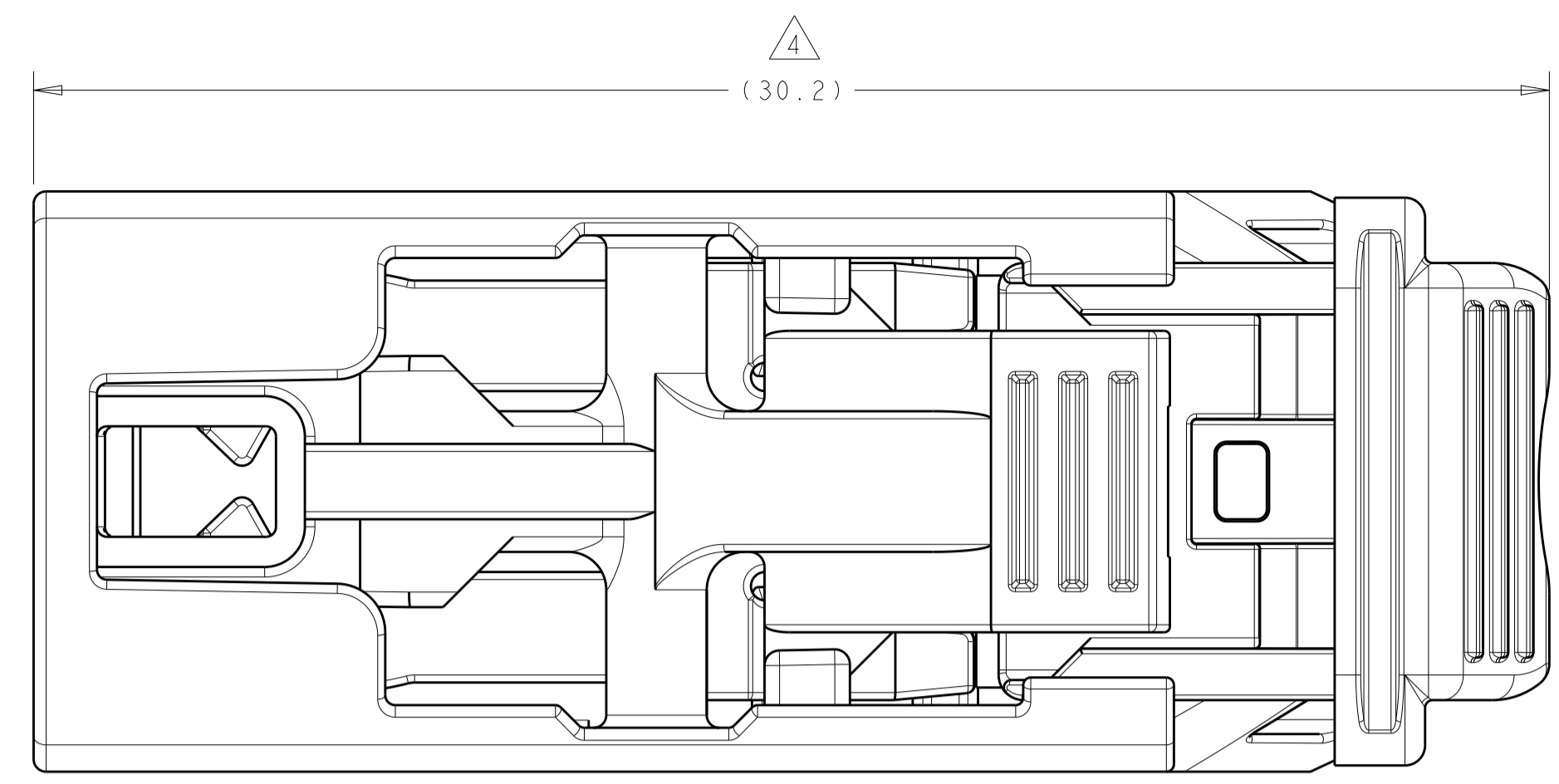


REVISIONS				
P.	LTN	DESCRIPTION	DATE	OWN APVD
A		RELEASED PER ECO-19-002122	11FEB2019	NLE JWH



2289729-1 AS SHOWN

WITHOUT CPA	WITH CPA	CPA	CABLE ASSEMBLY QTY=1	CODING REF	KEYING	CODING COLOR	PART NUMBER
Z						WATER BLUE	4-2289729-0
N						PASTEL GREEN	3-2289729-3
M						PASTEL ORANGE	3-2289729-2
L						CARMINE RED	3-2289729-1
K						CURRY	3-2289729-0
I						BEIGE	2-2289729-9
H						HEATHER VIOLET	2-2289729-8
G						BLUE GREY	2-2289729-7
F						NUT BROWN	2-2289729-6
E						LEAF GREEN	2-2289729-5
D						CLARET VIOLET	2-2289729-4
C						SIGNAL BLUE	2-2289729-3
B						CREAM	2-2289729-2
A						JET BLACK	2-2289729-1
Z						WATER BLUE	2-2289729-0
N						PASTEL GREEN	1-2289729-3
M						PASTEL ORANGE	1-2289729-2
L						CARMINE RED	1-2289729-1
K						CURRY	1-2289729-0
I						BEIGE	2289729-9
H						HEATHER VIOLET	2289729-8
G						BLUE GREY	2289729-7
F						NUT BROWN	2289729-6
E						LEAF GREEN	2289729-5
D						CLARET VIOLET	2289729-4
C						SIGNAL BLUE	2289729-3
B						CREAM	2289729-2
A						JET BLACK	2289729-1

- $\triangle 1$ HOUSING - POLYESTER PBT, COLOR: SEE TABLE, GLASS FILLED
 CPA - POLYESTER PBT, TRAFFIC RED, GLASS FILLED
 SECONDARY LOCK - POLYESTER PBT, WATER BLUE, GLASS FILLED
- $\triangle 2$ CABLE ASSEMBLY: SEE TABLE.
- $\triangle 3$ FEMALE INTERFACE PER ISO-20860-1, ISO-20860-2, SAE/USCAR-17, SAE/USCAR-18.
- $\triangle 4$ SECONDARY LOCK AND CPA IN PRESET POSITION. IF SECONDARY LOCK IS IN FULLY LOCKED POSITION, SEE 408-162008 FOR INSTRUCTIONS TO RESET SECONDARY LOCK TO PRESET POSITION.

THIS DRAWING IS A CONTROLLED DOCUMENT.

OWN: D. J. HARDY 14APR2015
 CHK: D. J. LANE 14APR2015
 APVD: D. J. LANE 14APR2015

TE Connectivity

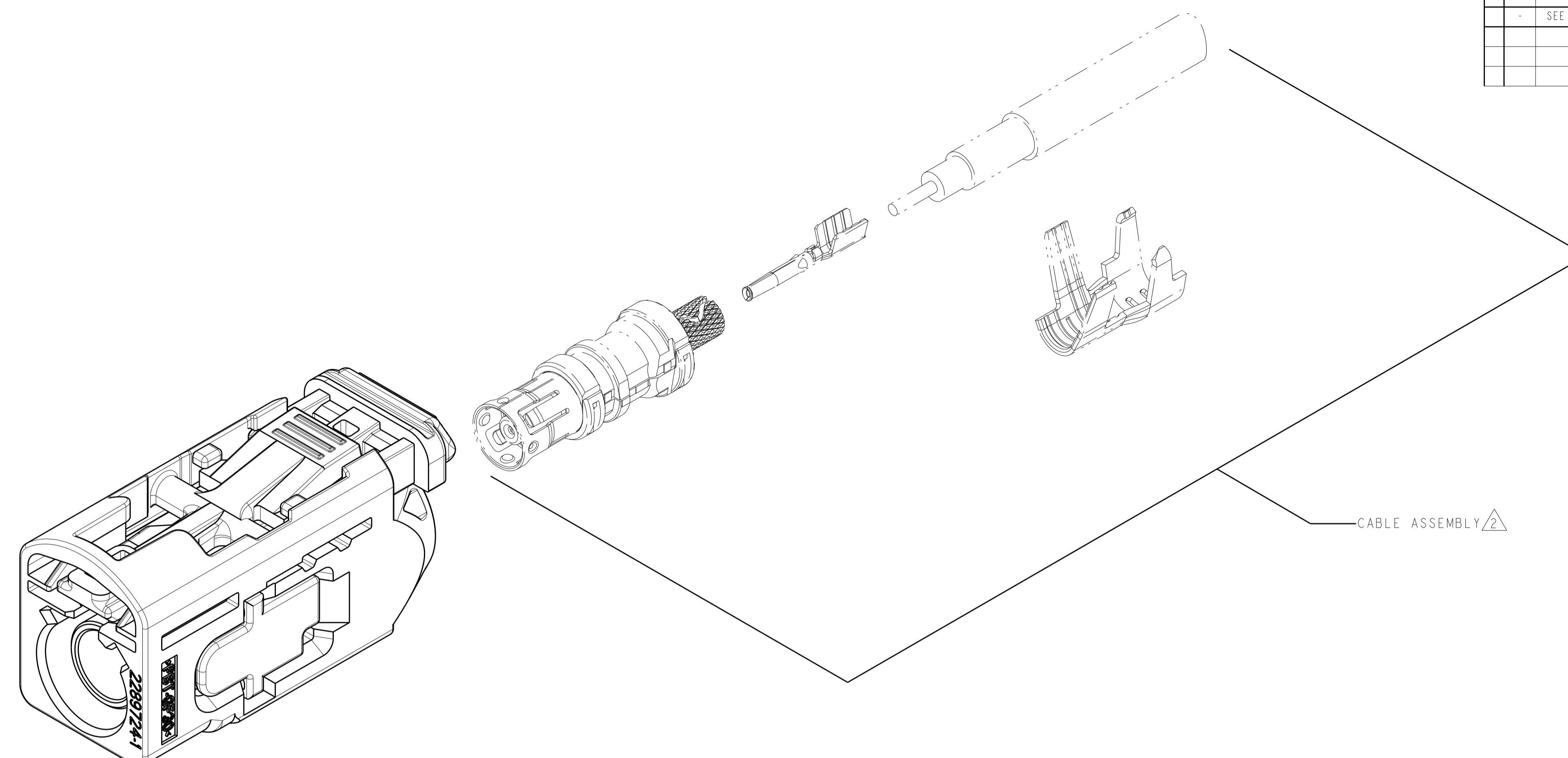
NAME: FEMALE KIT, CPA, 1 POSITION, FAKRA AUTOMATED

PRODUCT SPEC: 108-32137
 APPLICATION SPEC: 114-32145

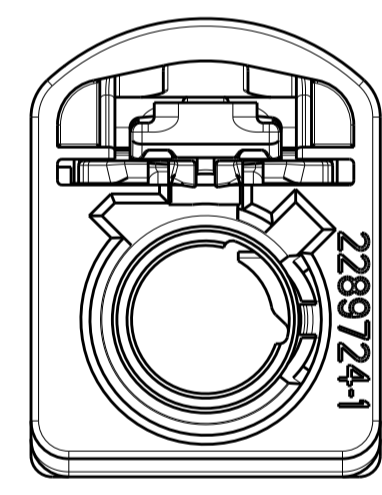
SIZE: A1 CAGE CODE: - DRAWING NO: - RESTRICTED TO: -
 WEIGHT: -
 SCALE: 8:1 SHEET 1 OF 2 REV A

CUSTOMER DRAWING

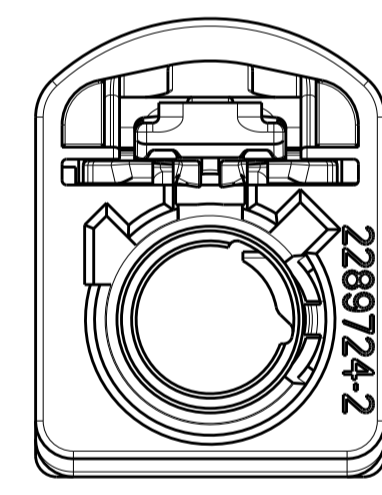
REVISIONS				
P.	LTN	DESCRIPTION	DATE	APVD
-		SEE SHEET 1	-	-



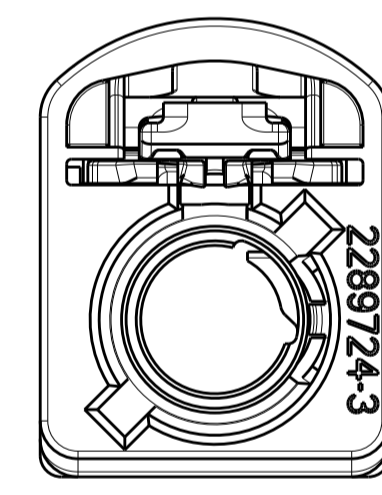
22897291 AS SHOWN
 SCALE 5:1



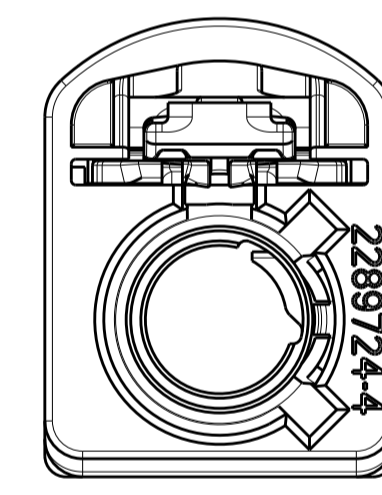
DETAIL A
 SCALE 4:1



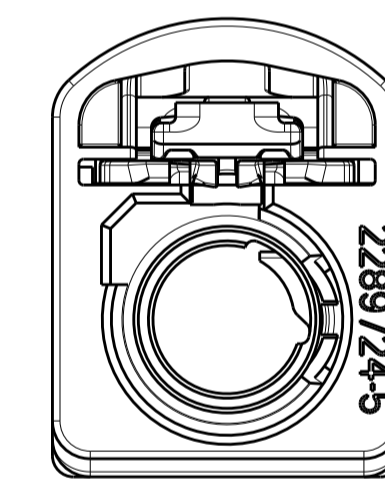
DETAIL B
 SCALE 4:1



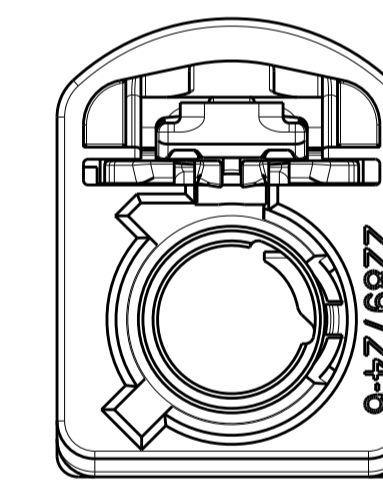
DETAIL C
 SCALE 4:1



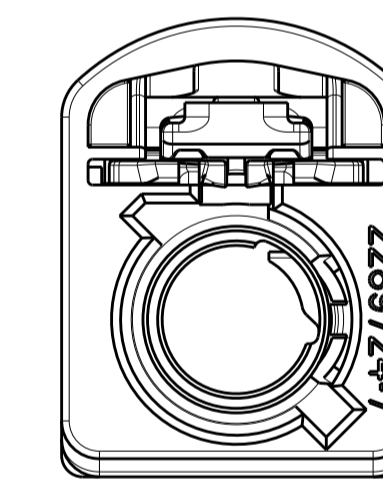
DETAIL D
 SCALE 4:1



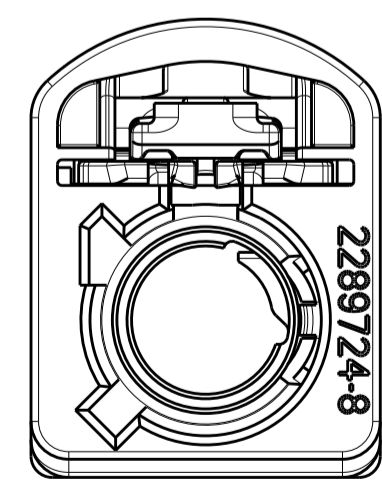
DETAIL E
 SCALE 4:1



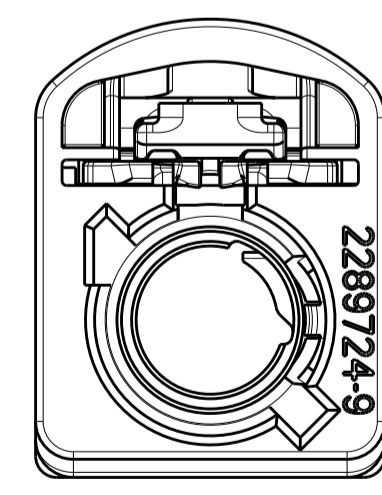
DETAIL F
 SCALE 4:1



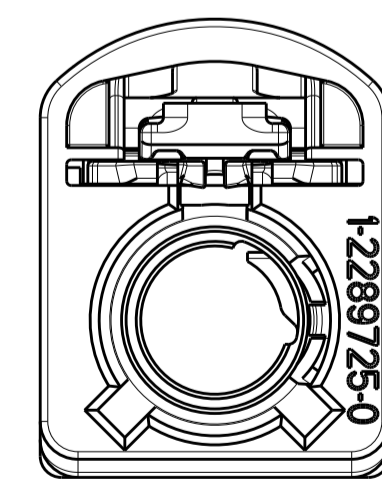
DETAIL G
 SCALE 4:1



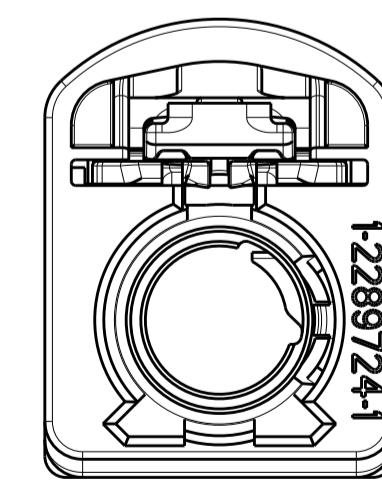
DETAIL H
 SCALE 4:1



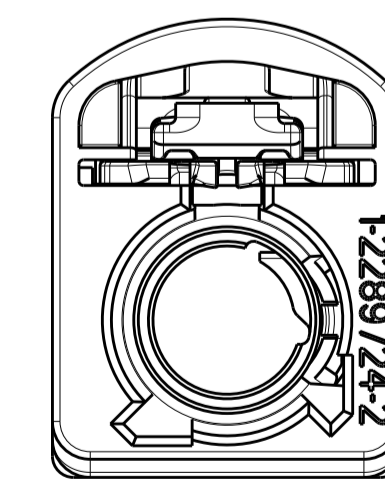
DETAIL I
 SCALE 4:1



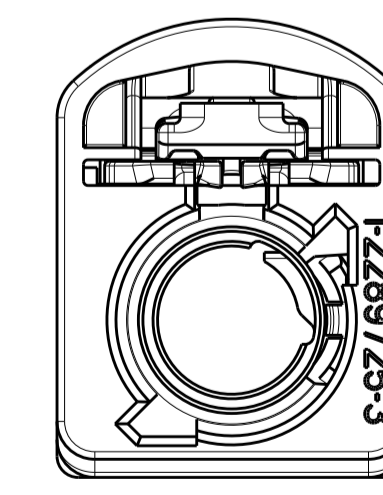
DETAIL K
 SCALE 4:1



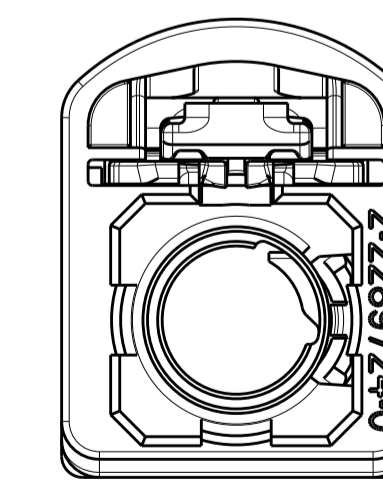
DETAIL L
 SCALE 4:1



DETAIL M
 SCALE 4:1



DETAIL N
 SCALE 4:1



DETAIL Z
 SCALE 4:1

THIS DRAWING IS A CONTROLLED DOCUMENT.		OWN: D.J.HARDY 14APR2015	
DIMENSIONS:		CHK: D.J.LANE 14APR2015	
TOLERANCES UNLESS OTHERWISE SPECIFIED:		APVD: D.J.LANE 14APR2015	
mm		PRODUCT SPEC	
0 PLC	±	108-32137	NAME: FEMALE KIT, CPA, 1 POSITION, FAKRA AUTOMATED
1 PLC	±	APPLICATION SPEC	SIZE: A1
2 PLC	±	114-32145	CAGE CODE: C=2289729
3 PLC	±	WEIGHT	RESTRICTED TO
4 PLC	±	CUSTOMER DRAWING	SCALE: 5:1 SHEET 2 OF 2 REV A
ANGLES	±		
FINISH	-		

X-ON Electronics

Largest Supplier of Electrical and Electronic Components

Click to view similar products for [Automotive Connectors](#) category:

Click to view products by [TE Connectivity](#) manufacturer:

Other Similar products are found below :

[003-018-000](#) [60403001](#) [60993906-B](#) [M902-2131](#) [M902-2161](#) [72.330.1035.1](#) [73.353.4028.0](#) [F119300-B](#) [F166900](#) [F258300-B](#) [F358300-B](#)
[F407400](#) [F444110](#) [F487000](#) [F509500B-B](#) [827153-1](#) [8N1515-32-24P](#) [9-1326729-8](#) [925474-1](#) [928905-1](#) [964562-4](#) [968782-1](#) [GT17SA-8DS-](#)
[HU](#) [98891-1012](#) [98947-1016](#) [12004147](#) [12004475-L](#) [12010290](#) [12010309-B](#) [12015454](#) [12020219-B](#) [12020308](#) [12041318-B](#) [12052225-L](#)
[12052466](#) [12059125](#) [12064869](#) [12004327-B](#) [12010503-B](#) [12015308](#) [12015384](#) [12015909](#) [1-21030-1](#) [12041254](#) [12041318](#) [12047946-B](#)
[12047957](#) [12047957-L](#) [12059473](#) [12066261](#)