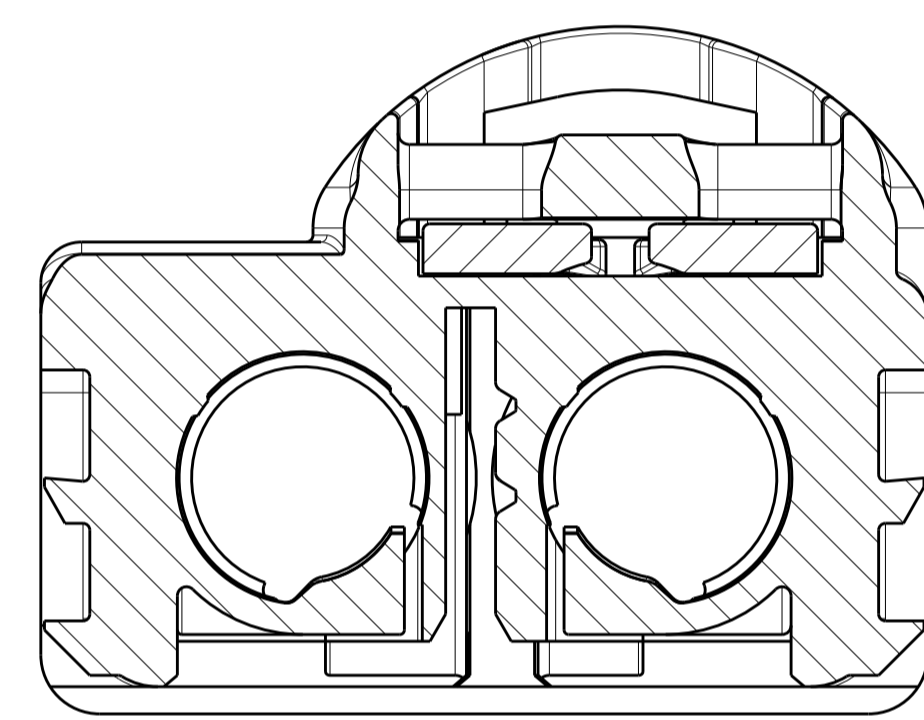
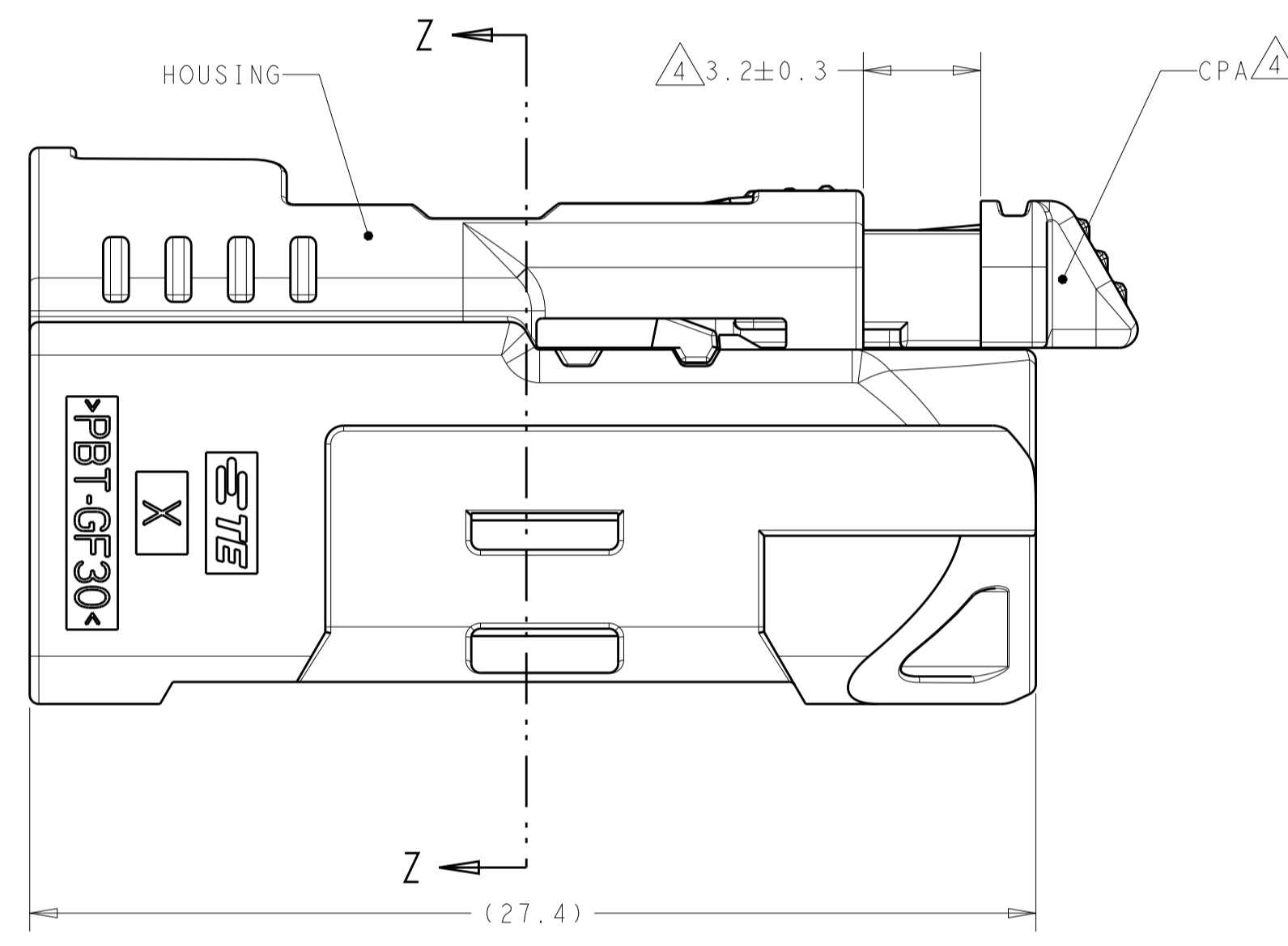
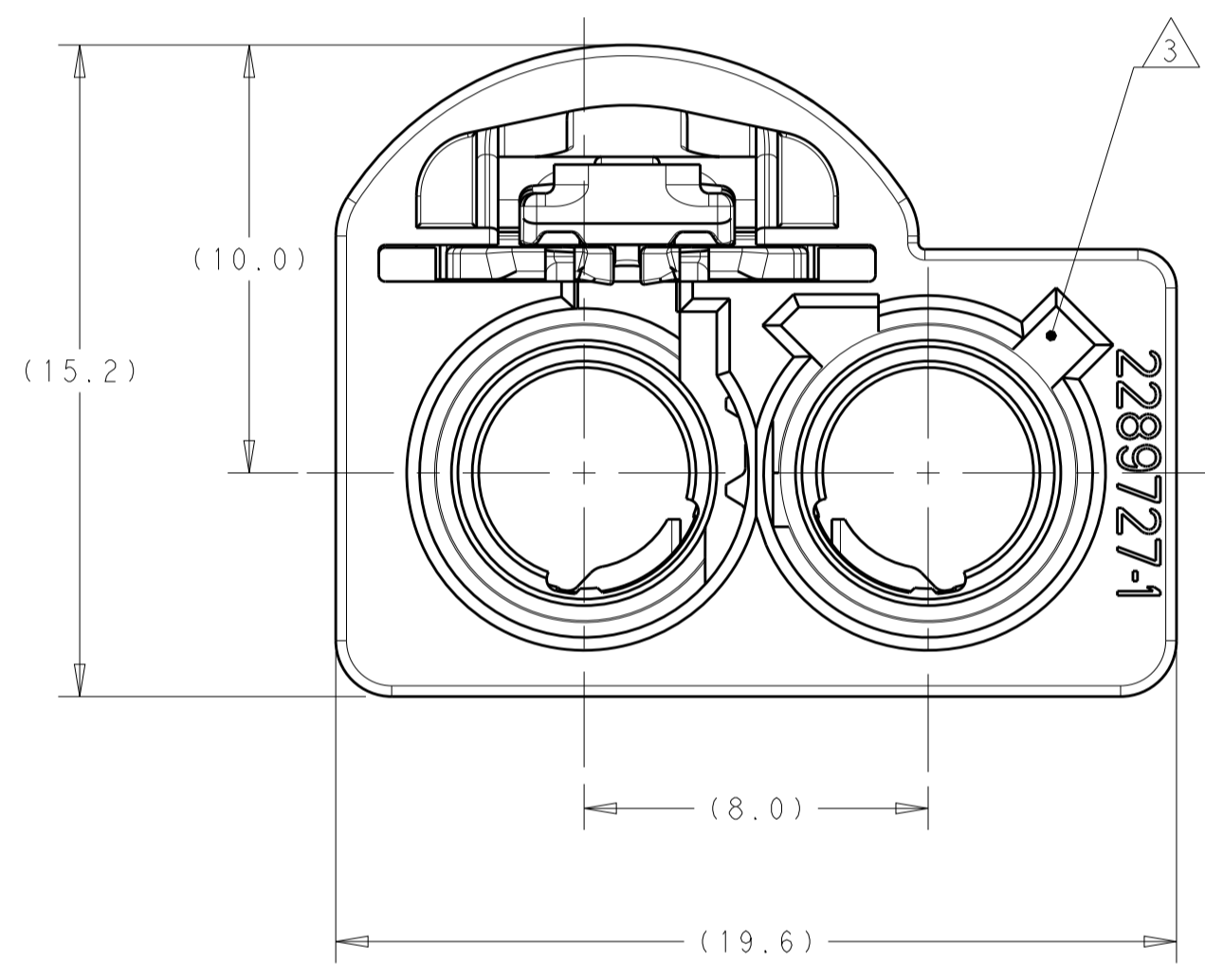
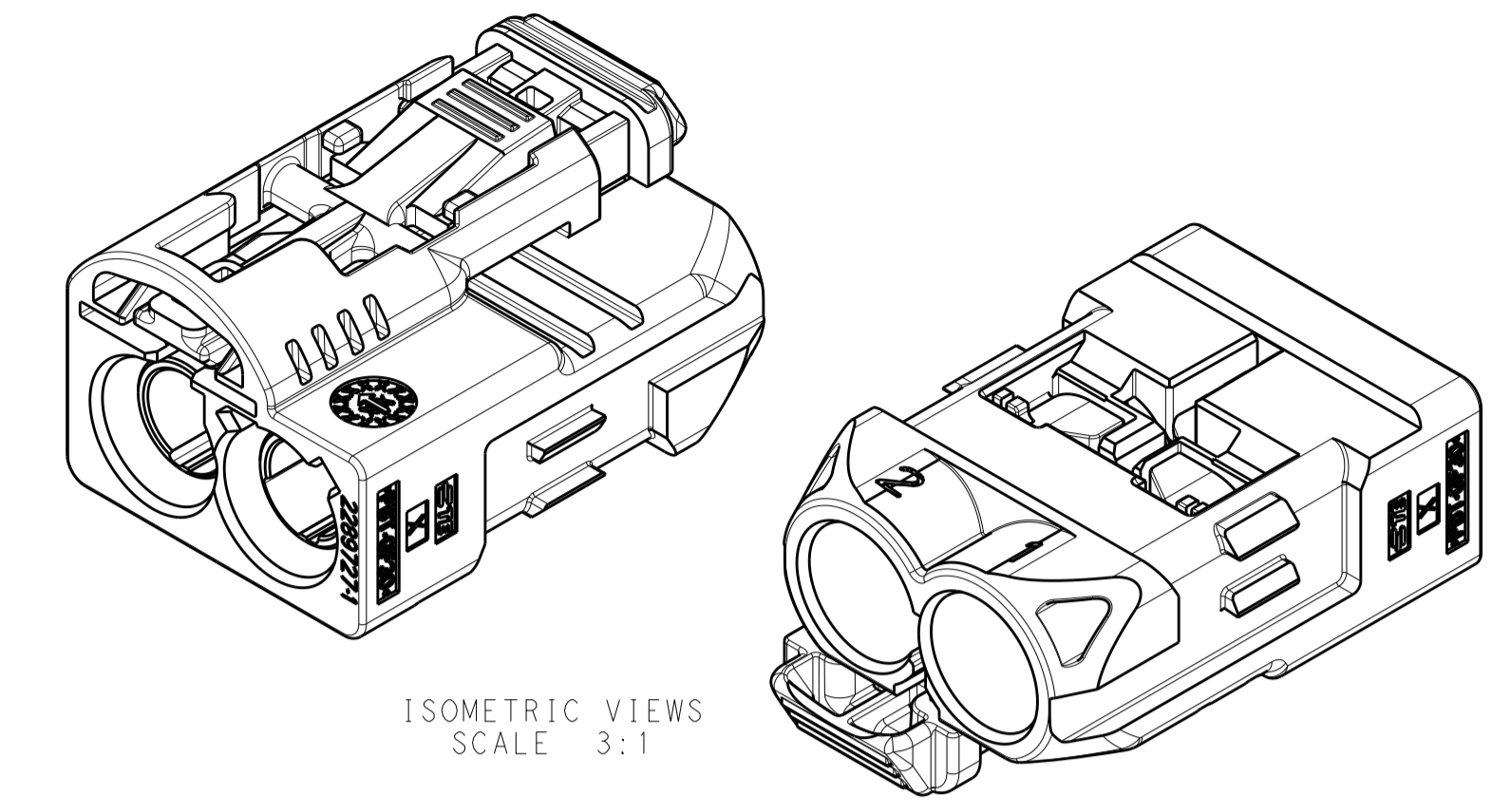
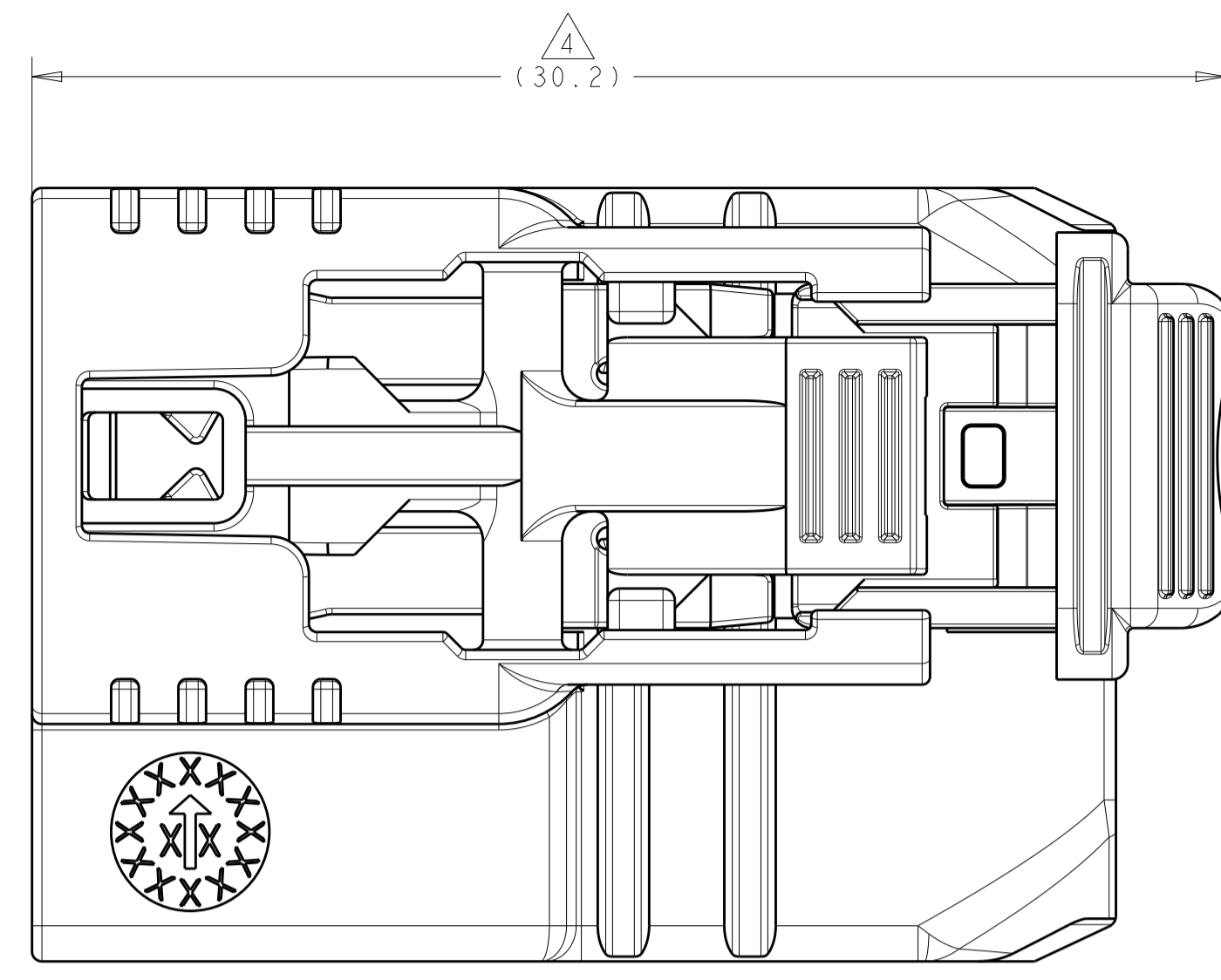
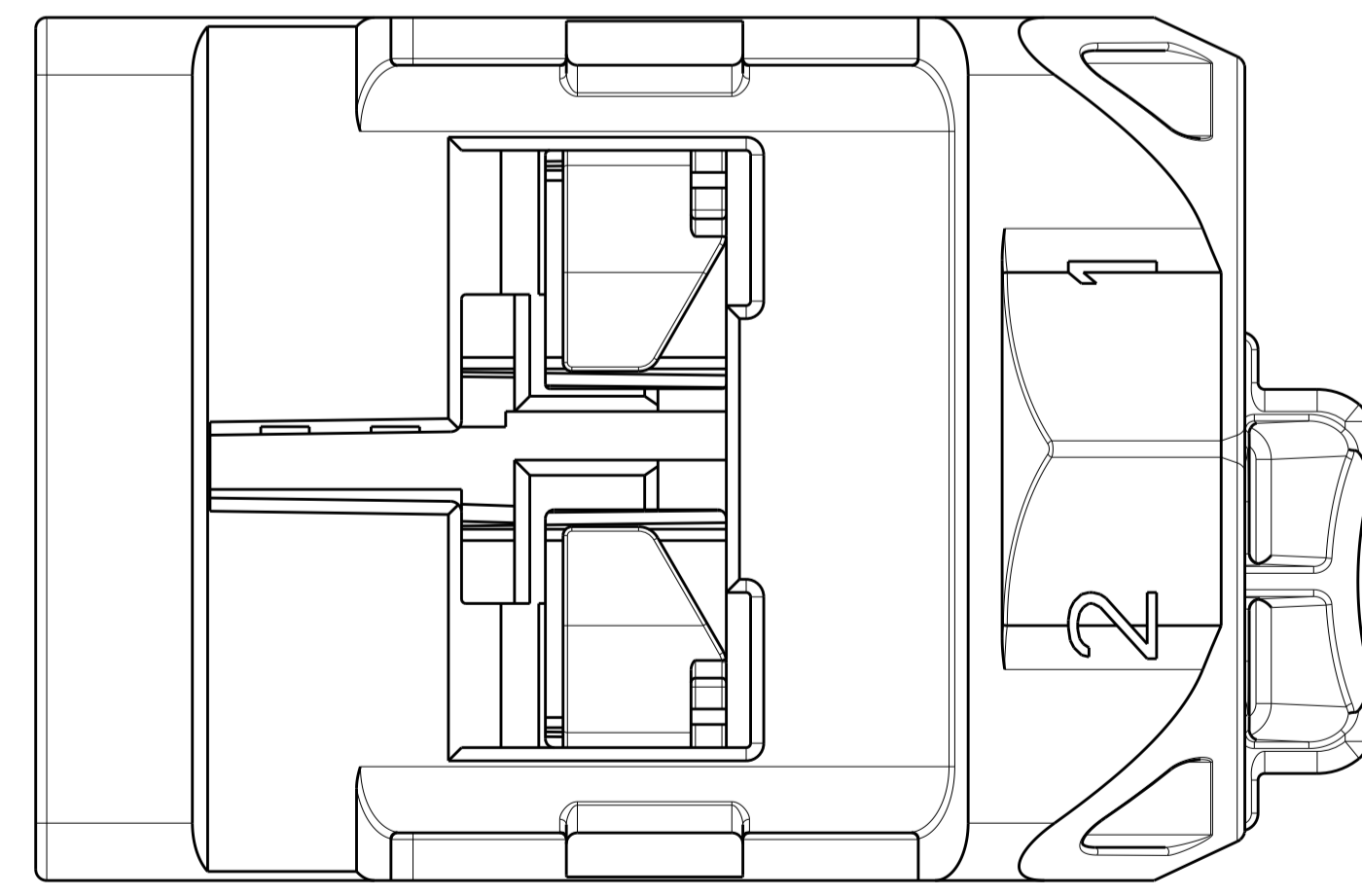


| REVISIONS | | | | |
|-----------|-----|----------------------------|-----------|------------|
| P. | LTN | DESCRIPTION | DATE | OWN - APVD |
| A | | RELEASED PER ECO-19-002122 | 11FEB2019 | NLE JWH |
| B | | REVISED PER ECO-19-017845 | 03DEC2019 | JAB NE |



SECTION Z-Z

2289731-1 AS SHOWN



| | | | | | |
|----------|---|---|---|---|-------------|
| OBSOLETE | - | - | - | - | 4-2289731-0 |
| OBSOLETE | - | - | - | - | 3-2289731-3 |
| OBSOLETE | - | - | - | - | 3-2289731-2 |
| OBSOLETE | - | - | - | - | 3-2289731-1 |
| OBSOLETE | - | - | - | - | 3-2289731-0 |
| OBSOLETE | - | - | - | - | 2-2289731-9 |
| OBSOLETE | - | - | - | - | 2-2289731-8 |
| OBSOLETE | - | - | - | - | 2-2289731-7 |
| OBSOLETE | - | - | - | - | 2-2289731-6 |
| OBSOLETE | - | - | - | - | 2-2289731-5 |
| OBSOLETE | - | - | - | - | 2-2289731-4 |
| OBSOLETE | - | - | - | - | 2-2289731-3 |
| OBSOLETE | - | - | - | - | 2-2289731-2 |
| OBSOLETE | - | - | - | - | 2-2289731-1 |

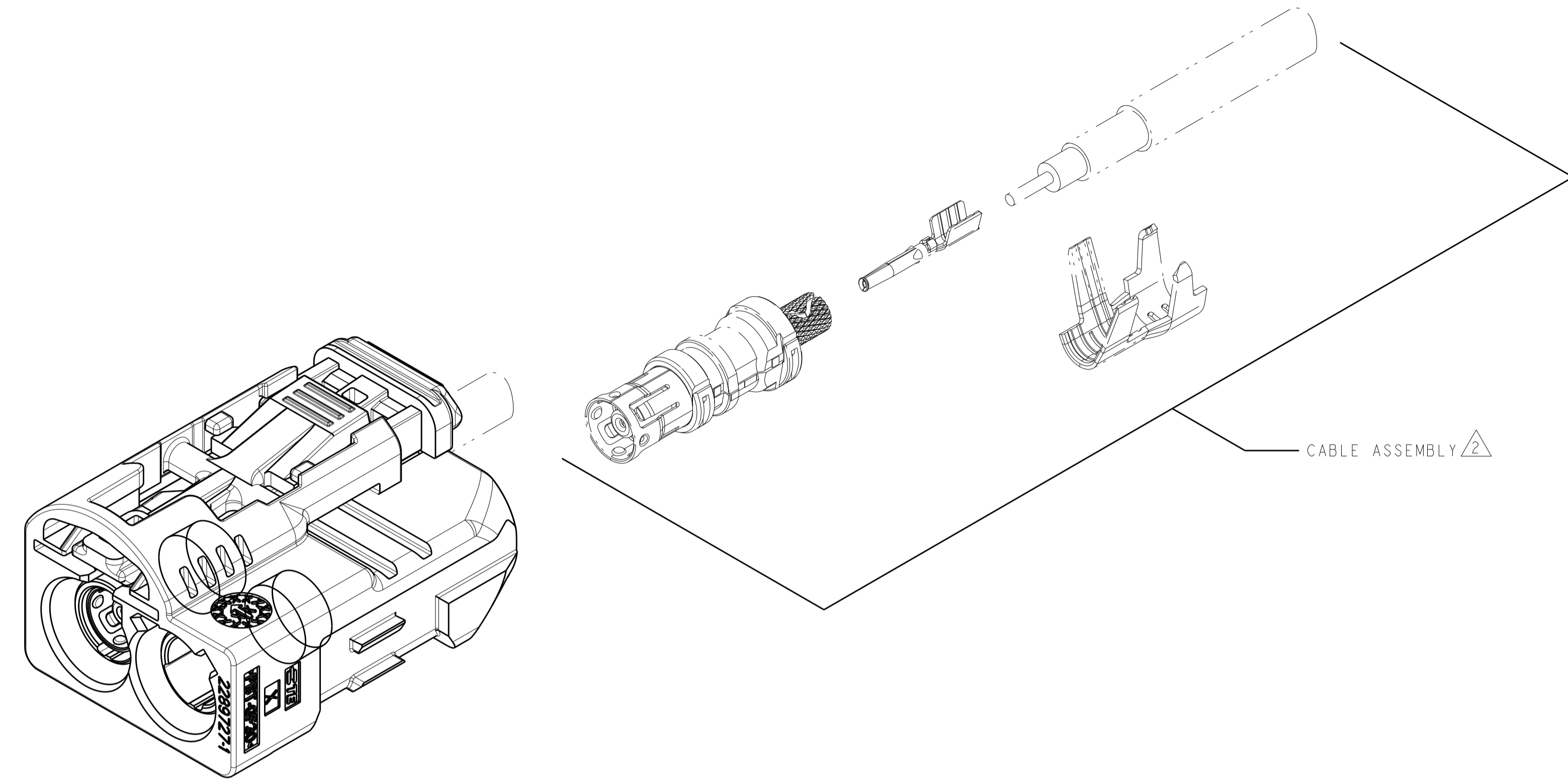
| | | | |
|---|--------------|----------------|-------------|
| Z | PER DETAIL Z | WATER BLUE | 2-2289731-0 |
| N | PER DETAIL N | PASTEL GREEN | 1-2289731-3 |
| M | PER DETAIL M | PASTEL ORANGE | 1-2289731-2 |
| L | PER DETAIL L | CARMINE RED | 1-2289731-1 |
| K | PER DETAIL K | CURRY | 1-2289731-0 |
| I | PER DETAIL I | BEIGE | 2289731-9 |
| H | PER DETAIL H | HEATHER VIOLET | 2289731-8 |
| G | PER DETAIL G | BLUE GREY | 2289731-7 |
| F | PER DETAIL F | NUT BROWN | 2289731-6 |
| E | PER DETAIL E | LEAF GREEN | 2289731-5 |
| D | PER DETAIL D | CLARET VIOLET | 2289731-4 |
| C | PER DETAIL C | SIGNAL BLUE | 2289731-3 |
| B | PER DETAIL B | CREAM | 2289731-2 |
| A | PER DETAIL A | JET BLACK | 2289731-1 |

- 1 HOUSING - POLYESTER PBT, COLOR: SEE TABLE, GLASS FILLED
CPA - POLYESTER PBT, COLOR TRAFFIC RED, GLASS FILLED
- 2 CABLE ASSEMBLY: SEE TABLE.
- 3 FEMALE INTERFACE PER ISO-20860-1, ISO-20860-2, SAE/USCAR-17, SAE/USCAR-18.
- 4 CPA IN PRESET POSITION.

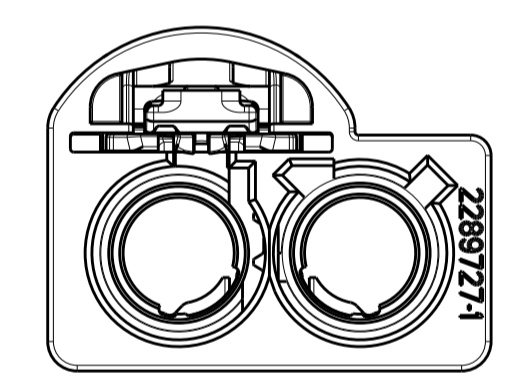
2203275
(SOLD SEPARATELY)
SEE SHEET 2

| | | | | |
|--|---|---------------------------------|---|--|
| THIS DRAWING IS A CONTROLLED DOCUMENT. | | OWN D. J. HARDY 14APR2015 | TE Connectivity | |
| DIMENSIONS: | | CHK D. J. LANE 14APR2015 | NAME FEMALE KIT, CPA, 2 POSITION, FAKRA AUTOMATED | |
| TOLERANCES UNLESS OTHERWISE SPECIFIED: | | APVD D. J. LANE 14APR2015 | PRODUCT SPEC 108-32137 | |
| mm | | PRODUCT SPEC | APPLICATION SPEC | |
| 0 PLC | ± | 114-32145 | RESTRICTED TO | |
| 1 PLC | ± | | RESTRICTED CUSTOMER | |
| 2 PLC | ± | | SCALE 6:1 SHEET 1 OF 2 REV B | |
| 3 PLC | ± | | | |
| 4 PLC | ± | | | |
| ANGLES | ± | | | |
| FINISH | - | | | |

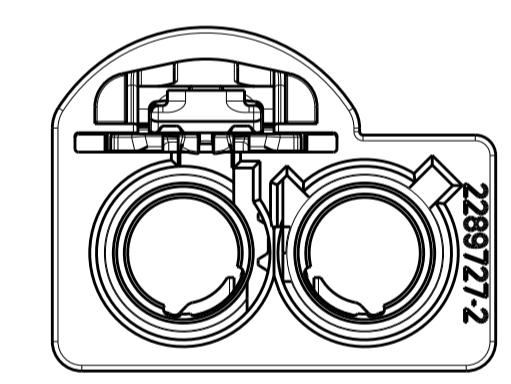
| REVISIONS | | | | |
|-----------|-----|-------------|------|------|
| P. | LTN | DESCRIPTION | DATE | APVD |
| - | - | SEE SHEET 1 | - | - |
| | | | | |
| | | | | |



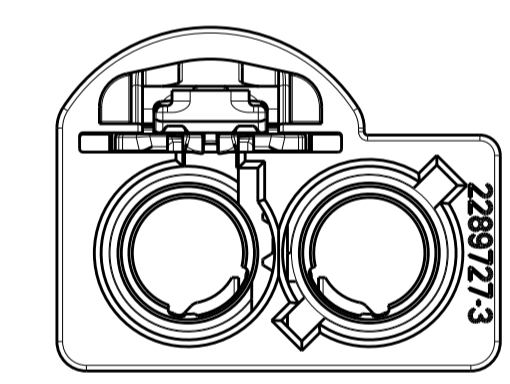
2289731-1 AS SHOWN
 SCALE 4:1



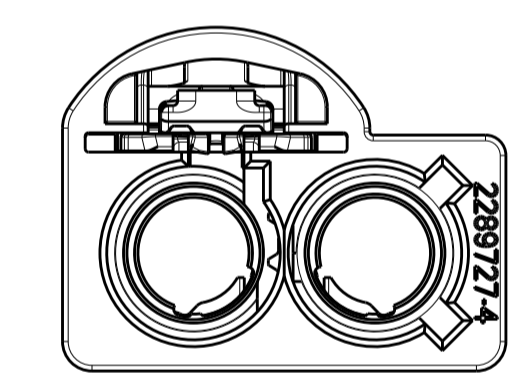
DETAIL A
 SCALE 3:1



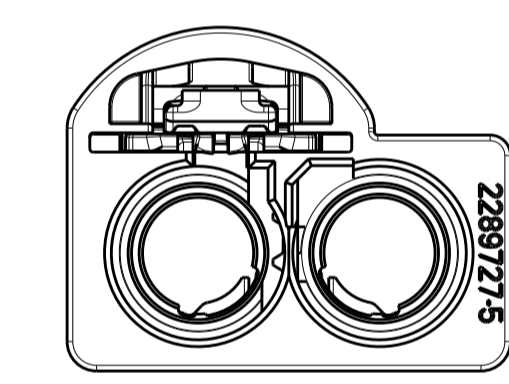
DETAIL B
 SCALE 3:1



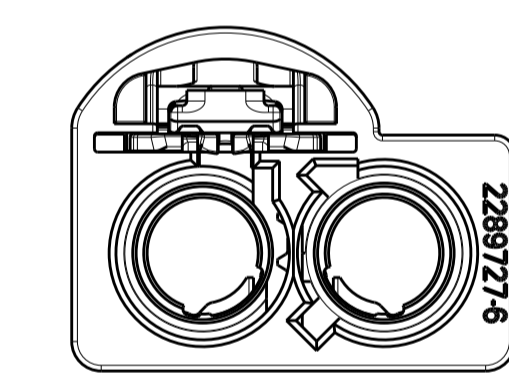
DETAIL C
 SCALE 3:1



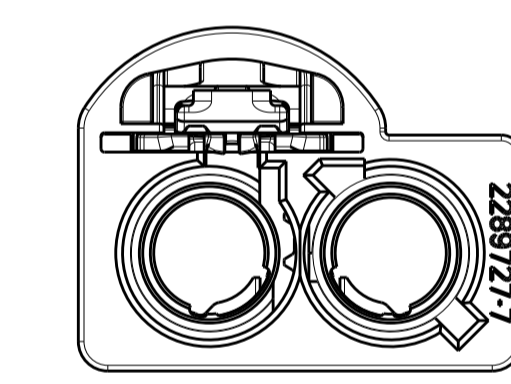
DETAIL D
 SCALE 3:1



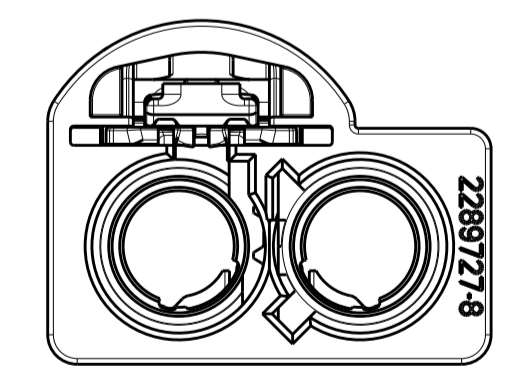
DETAIL E
 SCALE 3:1



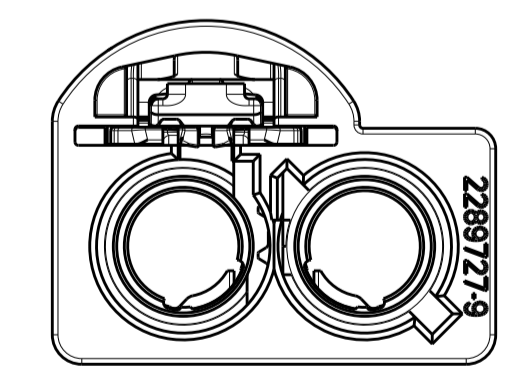
DETAIL F
 SCALE 3:1



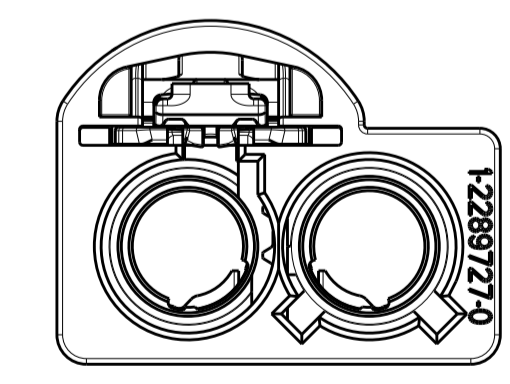
DETAIL G
 SCALE 3:1



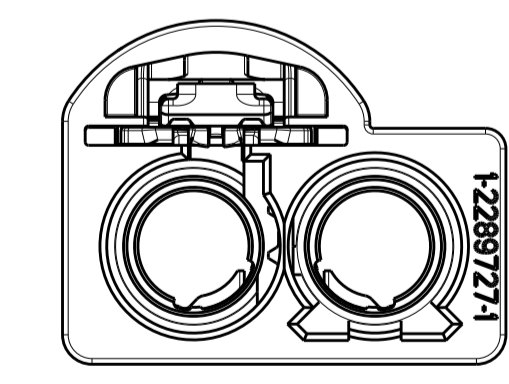
DETAIL H
 SCALE 3:1



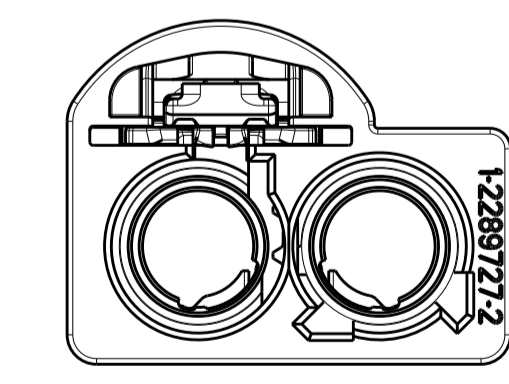
DETAIL I
 SCALE 3:1



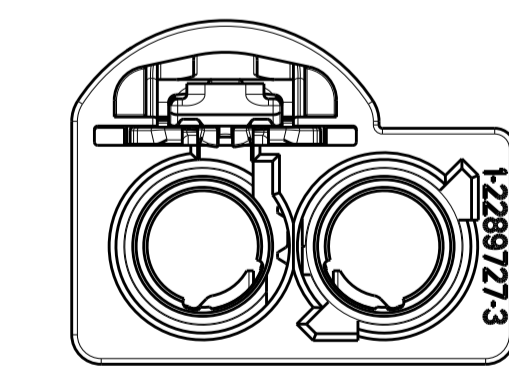
DETAIL K
 SCALE 3:1



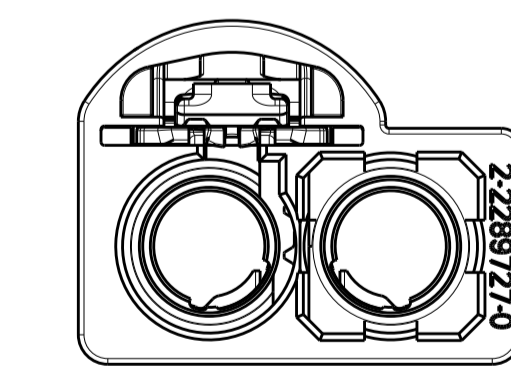
DETAIL L
 SCALE 3:1



DETAIL M
 SCALE 3:1



DETAIL N
 SCALE 3:1



DETAIL Z
 SCALE 3:1

| | | | |
|--|---|----------------------------|--|
| THIS DRAWING IS A CONTROLLED DOCUMENT. | | OWN: D. J. HARDY 14APR2015 | |
| DIMENSIONS: | | CHK: D. J. LANE 14APR2015 | |
| TOLERANCES UNLESS OTHERWISE SPECIFIED: | | APVD: D. J. LANE 14APR2015 | |
| mm | | PRODUCT SPEC | |
| 0 PLC | ± | 108-32137 | NAME: FEMALE KIT, CPA, 2 POSITION, FAKRA AUTOMATED |
| 1 PLC | ± | APPLICATION SPEC | SIZE: A1 |
| 2 PLC | ± | 114-32145 | CAGE CODE: - |
| 3 PLC | ± | RESTRICTED CUSTOMER | DRAWING NO: C=2289731 |
| 4 PLC | ± | | RESTRICTED TO: B |
| ANGLES | ± | | SCALE: 6:1 |
| FINISH | - | | SHEET: 2 OF 2 |
| MATERIAL | - | | REV: B |

X-ON Electronics

Largest Supplier of Electrical and Electronic Components

Click to view similar products for [Automotive Connectors](#) category:

Click to view products by [TE Connectivity](#) manufacturer:

Other Similar products are found below :

[003-018-000](#) [60403001](#) [60993906-B](#) [M902-2131](#) [M902-2161](#) [72.330.1035.1](#) [73.353.4028.0](#) [F119300-B](#) [F166900](#) [F258300-B](#) [F358300-B](#)
[F407400](#) [F444110](#) [F487000](#) [F509500B-B](#) [827153-1](#) [8N1515-32-24P](#) [9-1326729-8](#) [925474-1](#) [928905-1](#) [964562-4](#) [968782-1](#) [GT17SA-8DS-](#)
[HU](#) [98891-1012](#) [98947-1016](#) [12004147](#) [12004475-L](#) [12010290](#) [12010309-B](#) [12015454](#) [12020219-B](#) [12020308](#) [12041318-B](#) [12052225-L](#)
[12052466](#) [12059125](#) [12064869](#) [12004327-B](#) [12010503-B](#) [12015308](#) [12015384](#) [12015909](#) [1-21030-1](#) [12041254](#) [12041318](#) [12047946-B](#)
[12047957](#) [12047957-L](#) [12059473](#) [12066261](#)