

4

3

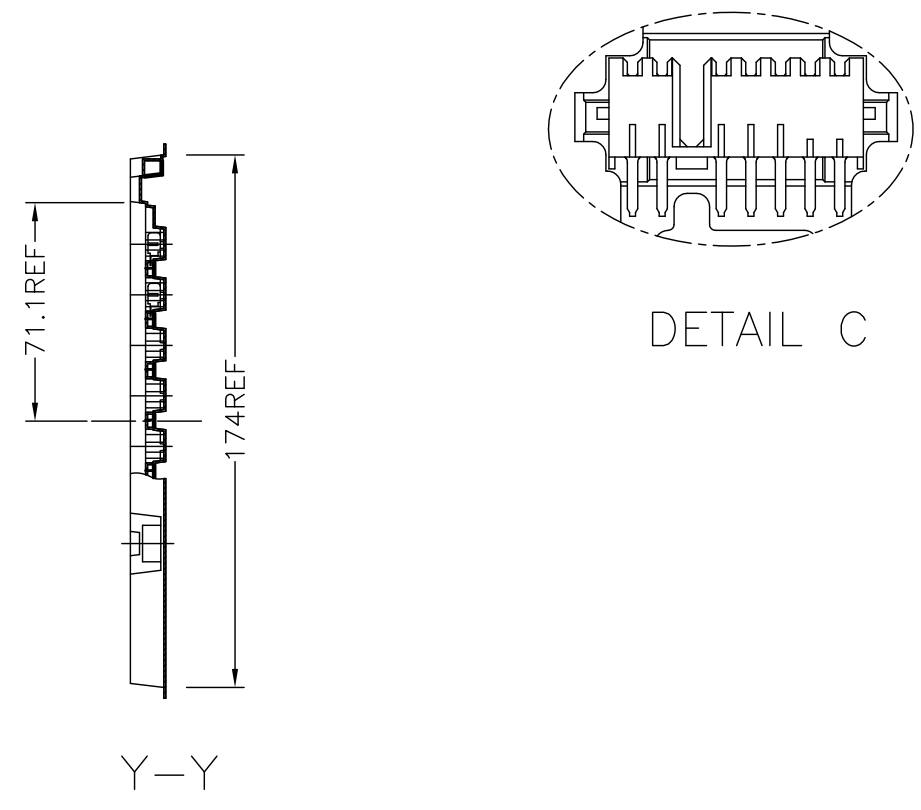
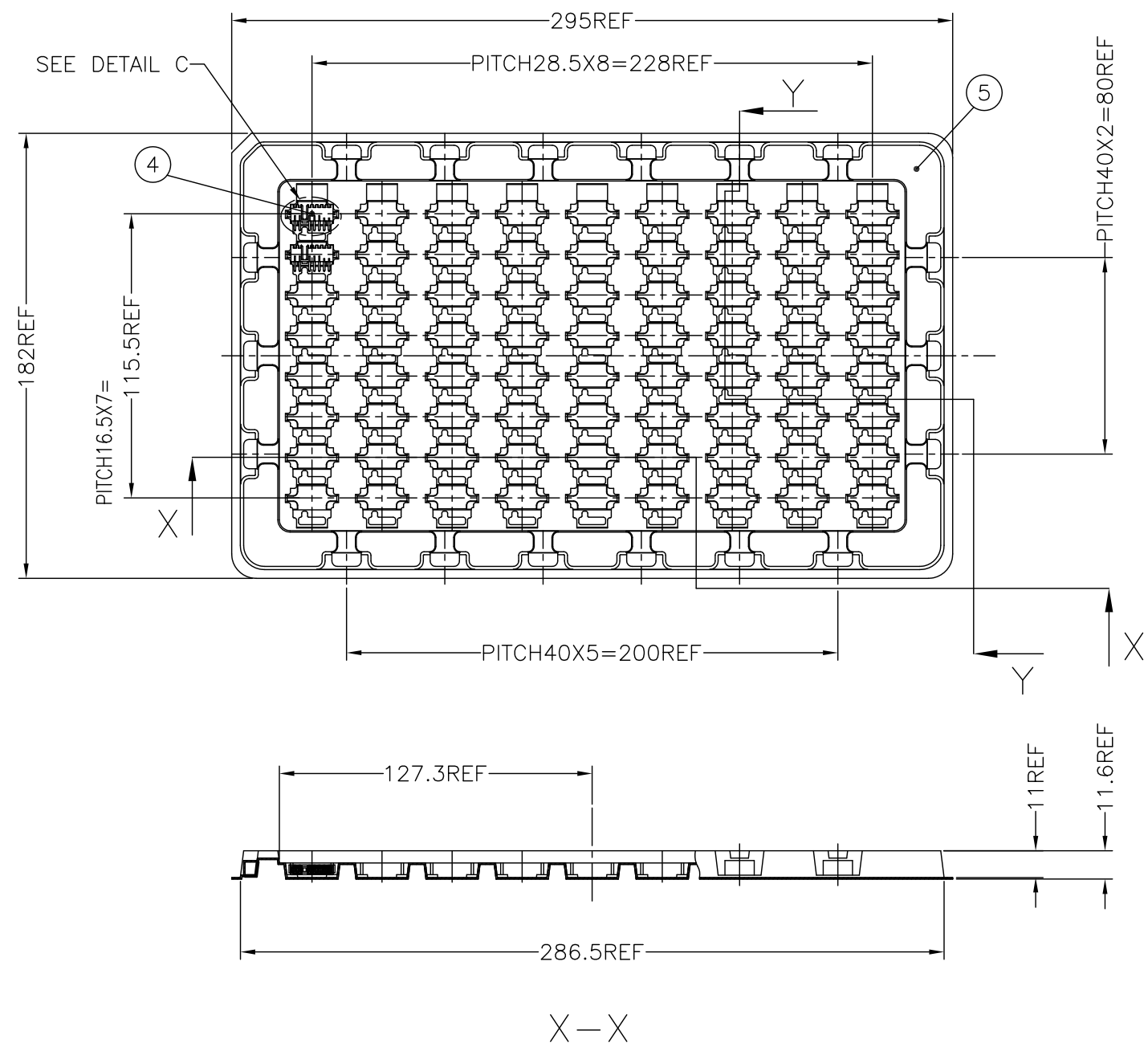
2

1

THIS DRAWING IS UNPUBLISHED. RELEASED FOR PUBLICATION SEP ,2012.
 © COPYRIGHT 2012 By Tyco Electronics Japan G.K. ALL RIGHTS RESERVED.

LOC	DIST	REVISIONS				
P	LTR	DESCRIPTION	DATE	DWN	APVD	
		SEE SHEET 1	-	-	-	

1-2229293-1; AS SHOWN

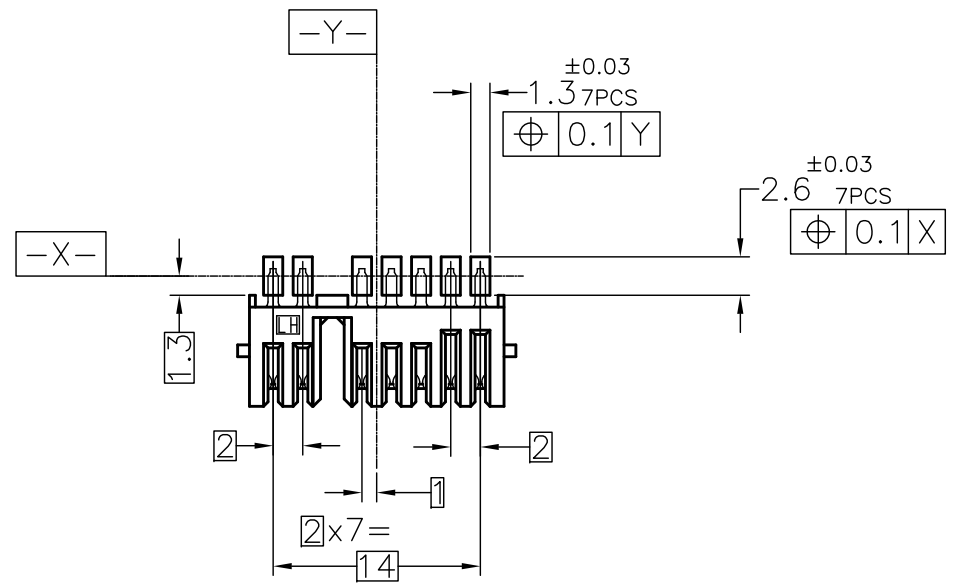
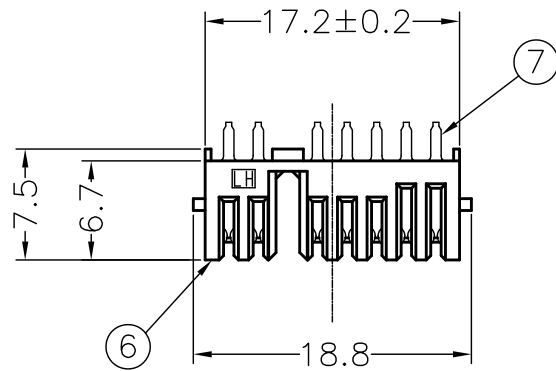
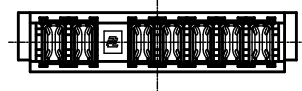


PART NUMBER		
1-2229293-1		
1	TRAY	⑤
72	1-2229294-1	④
QTY REQD PER ASSY	COMPONENT NAME	NO.

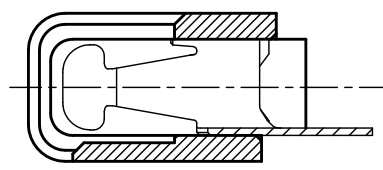
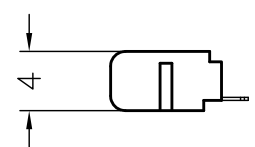
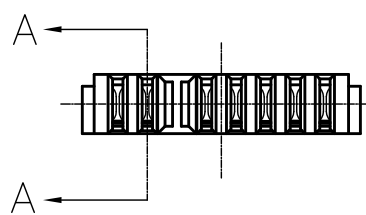
THIS DRAWING IS A CONTROLLED DOCUMENT.		DWN		STE TE Connectivity	
DIMENSIONS: mm		CHK			
TOLERANCES UNLESS OTHERWISE SPECIFIED:		APVD		NAME	
0 PLC ± 0.3		PRODUCT SPEC		2mm PITCH BATTERY REC. ASSEMBLY 7POS. H=4.0	
1 PLC ± 0.3		APPLICATION SPEC		PACKING	
2 PLC ± 0.3		WEIGHT		SIZE	CAGE CODE
3 PLC ± 0.3		CUSTOMER DRAWING		A3	00779
4 PLC ± 0.3		SCALE		DRAWING NO	
ANGLES ± 3'		2:1		C-2229293	
FINISH		SHEET		RESTRICTED TO	
		2 OF 3		-	
		REV		B	

LOC	DIST	REVISIONS					
DW		P	LTR	DESCRIPTION	DATE	DWN	APVD
		-		SEE SHEET 1	-	-	-

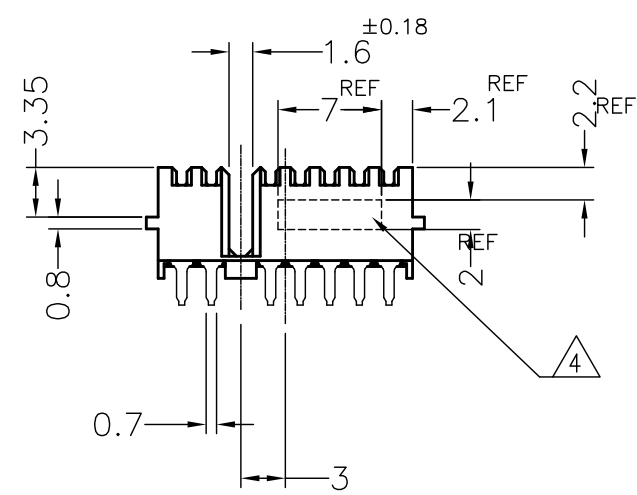
CONNECTOR W/O PACKING CONDITION



REFERENCE P.C.BOARD LAYOUT
P.C.BOARD THICKNESS : 0.8~1.2
(VIEW FROM CONNECTOR MOUNTING SIDE)



A-A
(SCALE 5:1)



PART NUMBER			
1-2229294-1	2229294-1		
7	7	CONTACT	⑦
1	1	HOUSING	⑥
QTY REQD PER ASSY		COMPONENT NAME	NO.

THIS DRAWING IS A CONTROLLED DOCUMENT.		DWN		STE TE Connectivity	
DIMENSIONS: mm		CHK			
TOLERANCES UNLESS OTHERWISE SPECIFIED:		APVD		NAME 2mm PITCH BATTERY REC. ASSEMBLY 7POS. H=4.0 PACKING	
0 PLC ± 0.3		PRODUCT SPEC		SIZE	
1 PLC ± 0.3		APPLICATION SPEC		CAGE CODE	
2 PLC ± 0.3				DRAWING NO	
3 PLC ± 0.3				RESTRICTED TO	
4 PLC ± 0.3				A3 00779 C-2229293	
ANGLES ± 3'				SCALE 2:1	
MATERIAL		WEIGHT 0.7g		SHEET 3 of 3	
FINISH		CUSTOMER DRAWING		REV B	

X-ON Electronics

Largest Supplier of Electrical and Electronic Components

Click to view similar products for [Bench Top Tools](#) category:

Click to view products by [TE Connectivity](#) manufacturer:

Other Similar products are found below :

[0027](#) [6-1372442-6](#) [63801-4462](#) [63801-4561](#) [63801-7269](#) [679527-1](#) [691667-1](#) [7-21000-9](#) [768539-1](#) [854130-1](#) [854946-2](#) [856203-1](#) [904449-1](#)
[9-22280-9](#) [986096-2](#) [992438-3](#) [1-21000-3](#) [1-21000-1](#) [1-25022-4](#) [1302263353](#) [1302263355](#) [1302261057](#) [1302261101](#) [1302261206](#)
[1302261560](#) [1302263123](#) [1302264036](#) [1424264-1](#) [1424267-1](#) [1428211-1](#) [1428287-1](#) [1-455755-6](#) [1752744-1](#) [18023-9](#) [189763-1](#) [1901726-1](#)
[2079747-1](#) [21001-2](#) [2119083-1](#) [2119085-1](#) [2119371-1](#) [2161930-1](#) [2217088-2](#) [2217339-1](#) [22281-9](#) [22374-7](#) [284565-000](#) [F1 Handle Spring](#)
[19228-0213](#) [2030790-2](#)