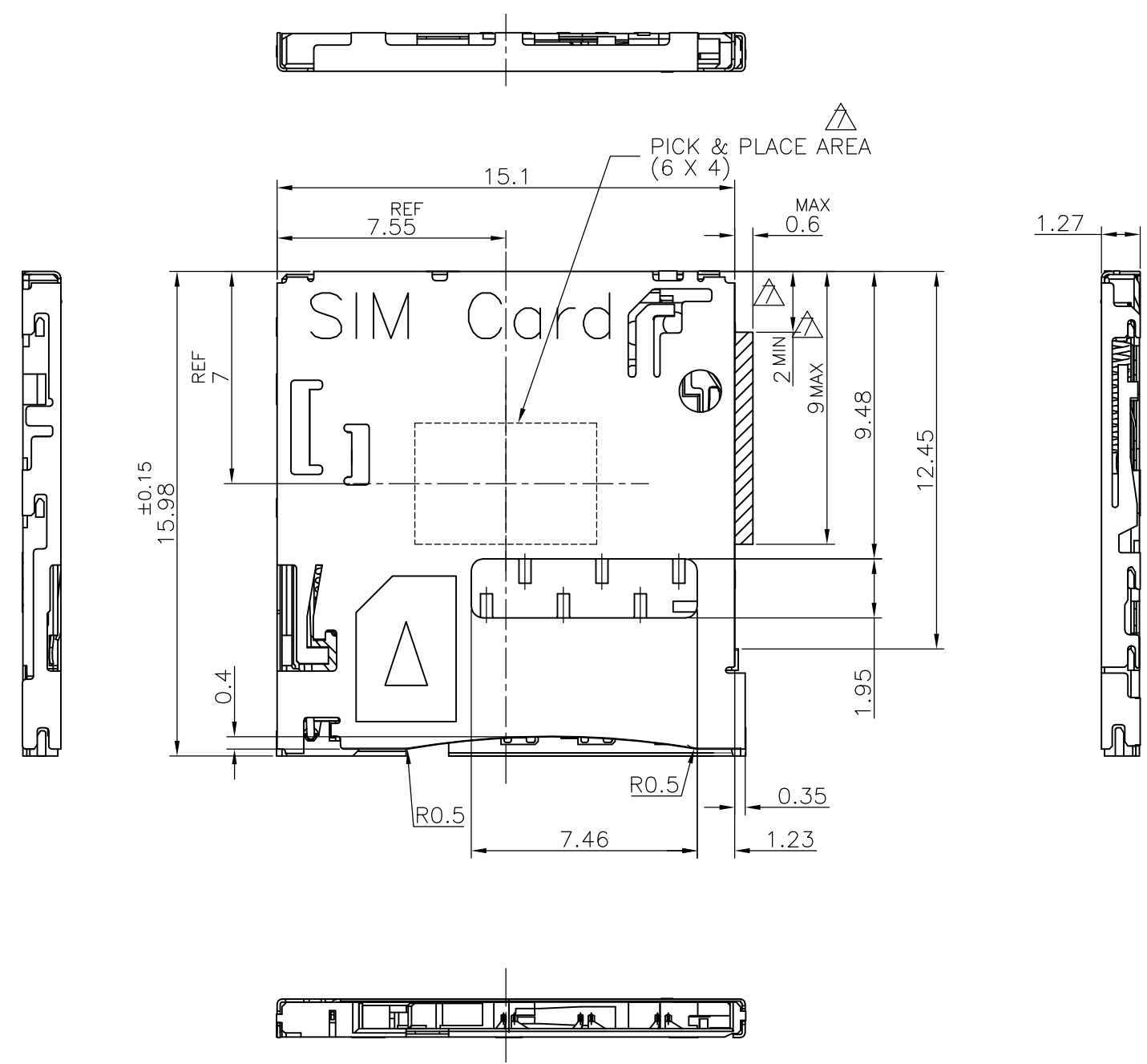


THIS DRAWING IS UNPUBLISHED. RELEASED FOR PUBLICATION JUL ,2013.  
 © COPYRIGHT 2013 By Tyco Electronics Japan G.K. ALL RIGHTS RESERVED.

LOC	DIST	REVISIONS					
		P	LTR	DESCRIPTION	DATE	DWN	APVD
J	/		B	REVISED	18NOV2015	M.T	K.K



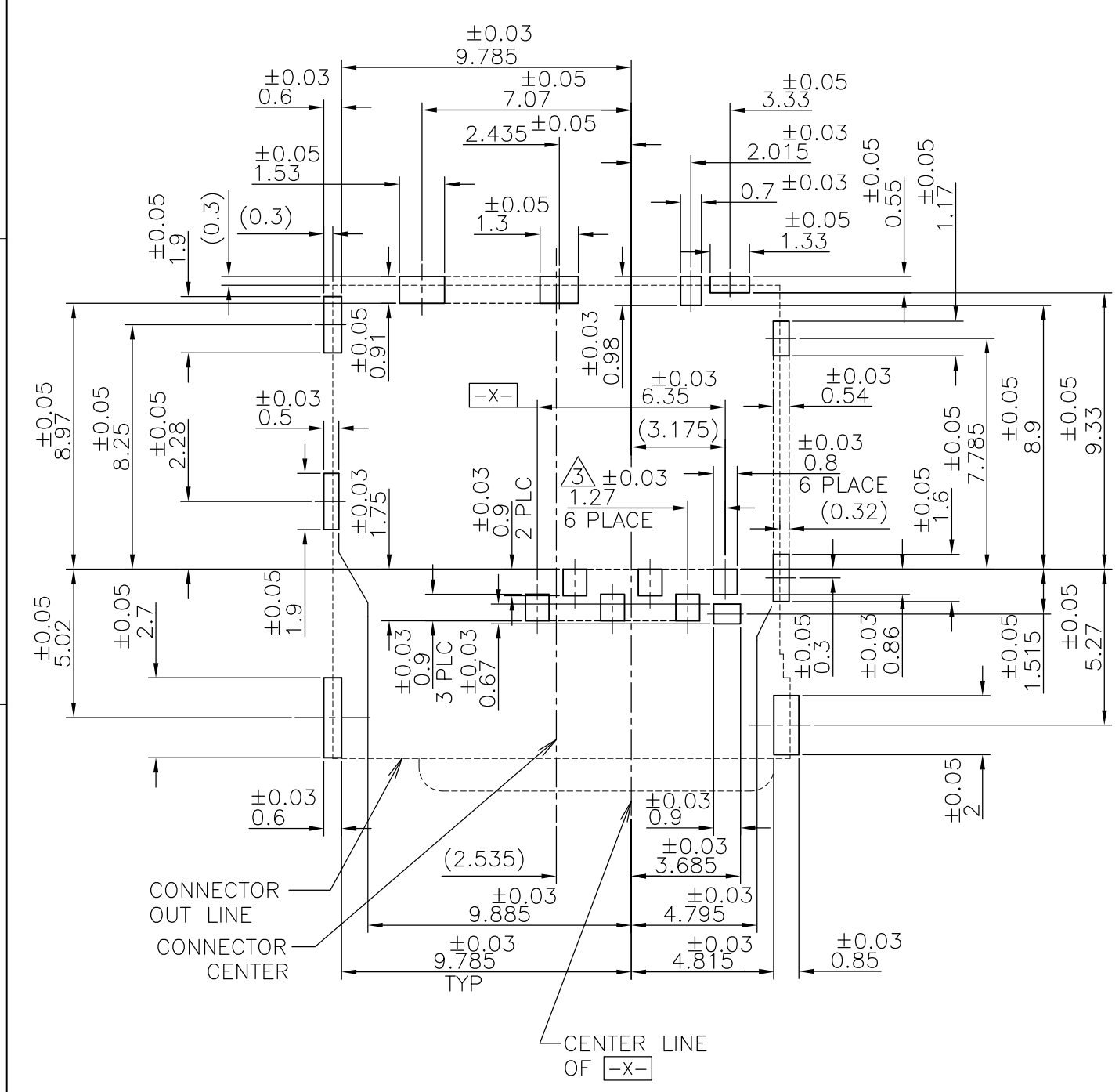
- 1. MATERIAL HOUSING,SLIDER : THERMOPLASTIC RESIN  
 UL94V-0, COLOR;BLACK  
 CONTACT : COPPER ALLOY  
 SHELL : STAINLESS STEEL  
 COIL : SWP  
 CAM ROD : STAINLESS STEEL
- △ FINISH CONTACT : Au PL AT CONTACT AREA  
 Au PL AT SOLDERING AREA  
 SHELL : Au PL AT SOLDERING AND SWITCH AREA
- △ NON-CUMULATIVE TOLERANCE
- 4. COPLANARITY IS 0.1MAX.
- △ CIRCUIT DRAWING OF SWITCH.
- 6. OVERALL TOLERANCE:±0.1
- △ SWITCH MOVING AREA.

△	2229333-2
FINISH	PART NUMBER

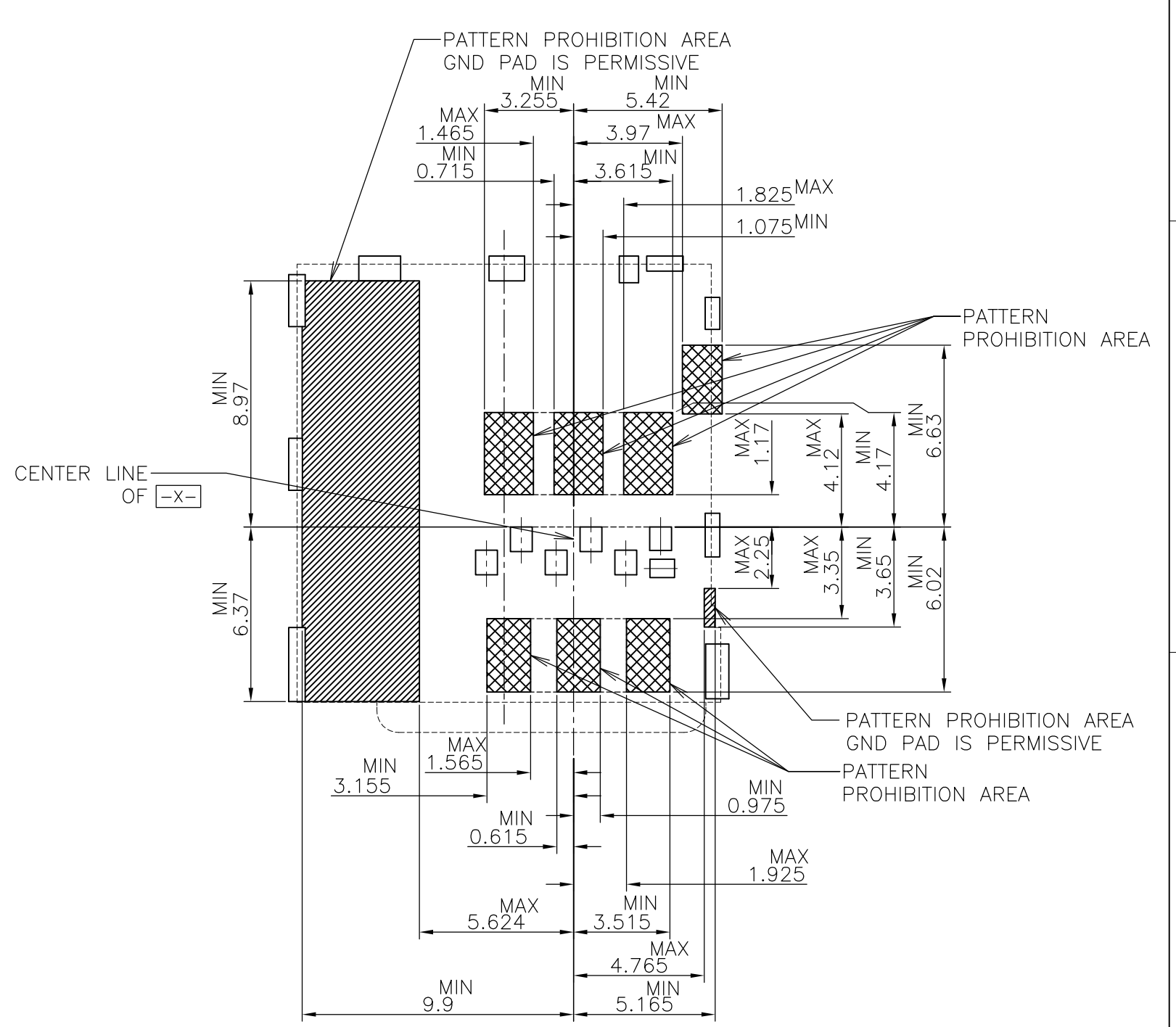
THIS DRAWING IS A CONTROLLED DOCUMENT.		DWN J.TSUJI 12JUL2013	TE Connectivity		
DIMENSIONS: mm		CHK K.KOBAYASHI 12JUL2013			
TOLERANCES UNLESS OTHERWISE SPECIFIED:		APVD K.KOBAYASHI 12JUL2013	NAME		
0 PLC ± -		PRODUCT SPEC		MICRO SIM CONNECTOR	
1 PLC ± -		108-78956		PUSH-PUSH SMT TYPE	
2 PLC ± -		APPLICATION SPEC		SIZE	CAGE CODE
3 PLC ± -		MATERIAL		A3	00779
4 PLC ± -		FINISH		DRAWING NO	C-2229333
ANGLES ± -		WEIGHT		RESTRICTED TO	-
MATERIAL		CUSTOMER DRAWING		SCALE	5:1
				SHEET	1 OF 5
				REV	B

THIS DRAWING IS UNPUBLISHED. RELEASED FOR PUBLICATION JUL ,2013.  
 © COPYRIGHT 2013 By Tyco Electronics Japan G.K. ALL RIGHTS RESERVED.

LOC	DIST	REVISIONS			
P	LTR	DESCRIPTION	DATE	DWN	APVD
J	/	SEE SHEET 1	-	-	-



PCB LAYOUT(REFERENCE)  
(VIEWED FROM CONNECTOR MOUNT SIDE)



THIS DRAWING IS A CONTROLLED DOCUMENT.		DWN		TE Connectivity	
DIMENSIONS: mm		CHK			
TOLERANCES UNLESS OTHERWISE SPECIFIED:		APVD		NAME	
0 PLC ± -		PRODUCT SPEC		MICRO SIM CONNECTOR	
1 PLC ± -		APPLICATION SPEC		PUSH-PUSH SMT TYPE	
2 PLC ± -		WEIGHT		SIZE	CAGE CODE
3 PLC ± -		CUSTOMER DRAWING		A3	00779
4 PLC ± -		SCALE		DRAWING NO	
ANGLES ± -		5:1		C-2229333	
FINISH ± -		SHEET		RESTRICTED TO	
		2 OF 5		-	
		REV		B	

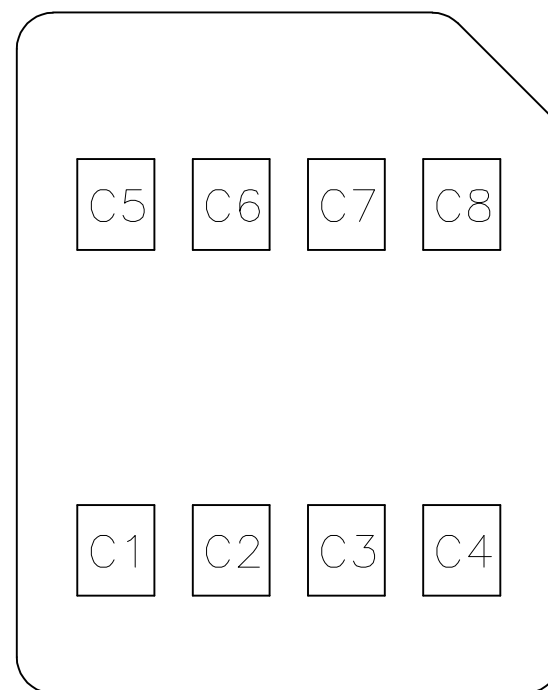
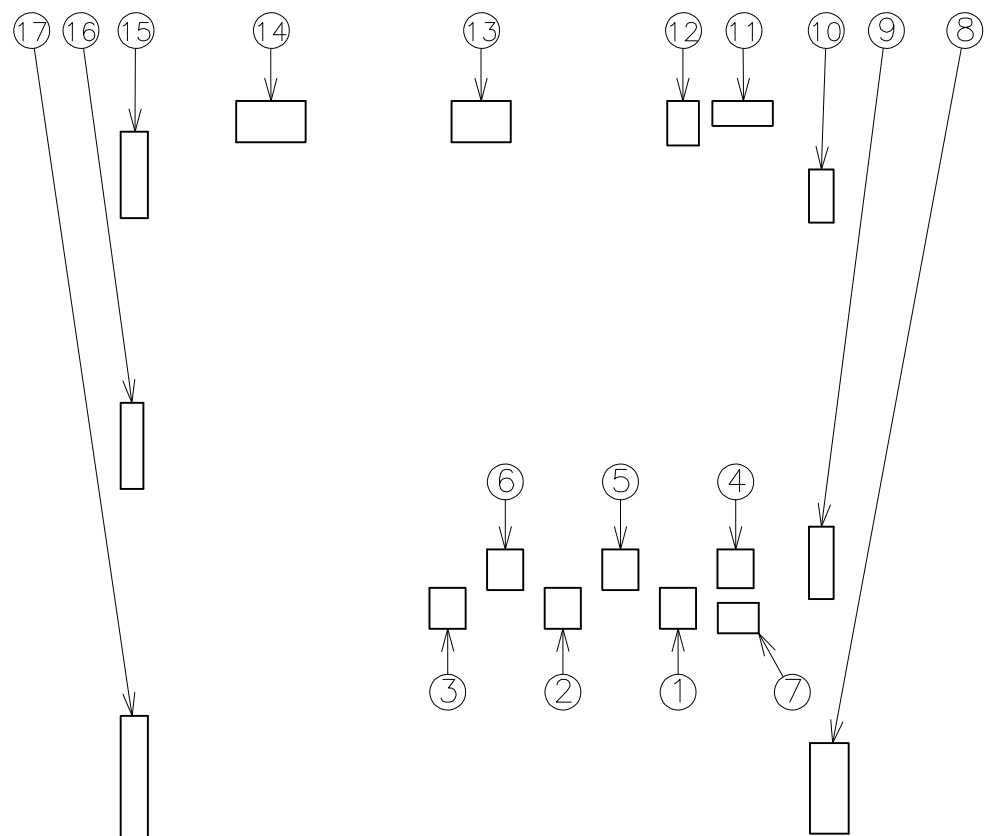
P	LTR	DESCRIPTION	DATE	DWN	APVD
-	-	SEE SHEET 1	-	-	-

### Connector Pin Assignment

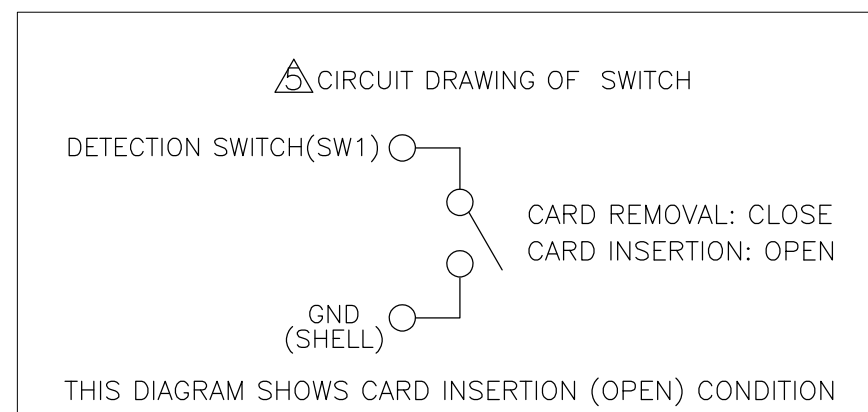
No.	Pin Name	Description
①	C1	Vcc of SIM
②	C2	RST of SIM
③	C3	CLK of SIM
④	C5	GND of SIM
⑤	C6	Vpp of SIM
⑥	C7	I/O of SIM
⑦	SW	Detection Switch
⑧~⑰	GND	Shell Ground

### SIM Card Pin Assignment

Pin No.	Name
C1	Vcc
C2	RST
C3	CLK
C4	Reserved
C5	GND
C6	Vpp
C7	I/O
C8	Reserved



SIM CARD PAD LAYOUT



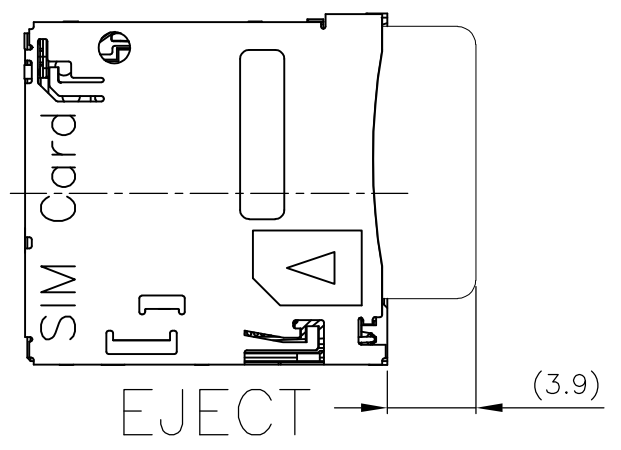
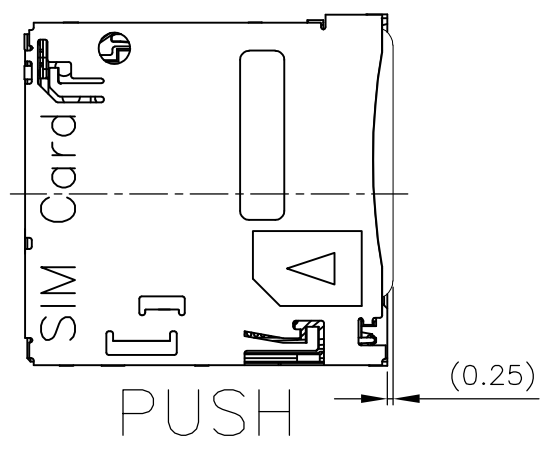
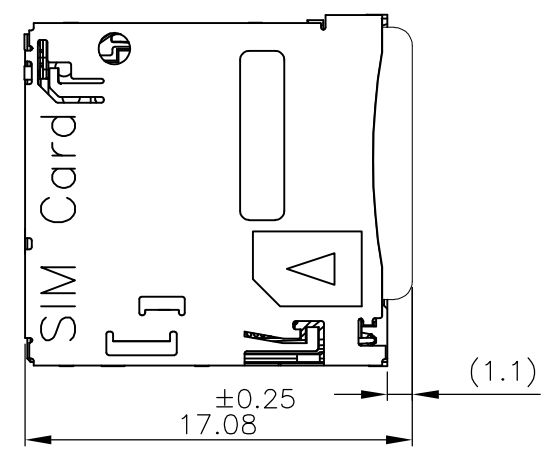
PCB LAYOUT(REFERENCE)  
(VIEWED FROM CONNECTOR MOUNT SIDE)

THIS DRAWING IS A CONTROLLED DOCUMENT.		DWN	-		
DIMENSIONS: mm		CHK	-		
TOLERANCES UNLESS OTHERWISE SPECIFIED:		APVD	-		
0 PLC ± -		PRODUCT SPEC	-		
1 PLC ± -		APPLICATION SPEC	-		
2 PLC ± -		WEIGHT	-		
3 PLC ± -		<p style="text-align: center;"><b>STE</b> TE Connectivity</p> <p style="text-align: center;">MICRO SIM CONNECTOR PUSH-PUSH SMT TYPE</p>			
4 PLC ± -		SIZE	CAGE CODE	DRAWING NO	RESTRICTED TO
ANGLES ± -		A3	00779	C-2229333	-
FINISH		CUSTOMER DRAWING		SCALE	SHEET
				NTS	3 OF 5
				REV	B

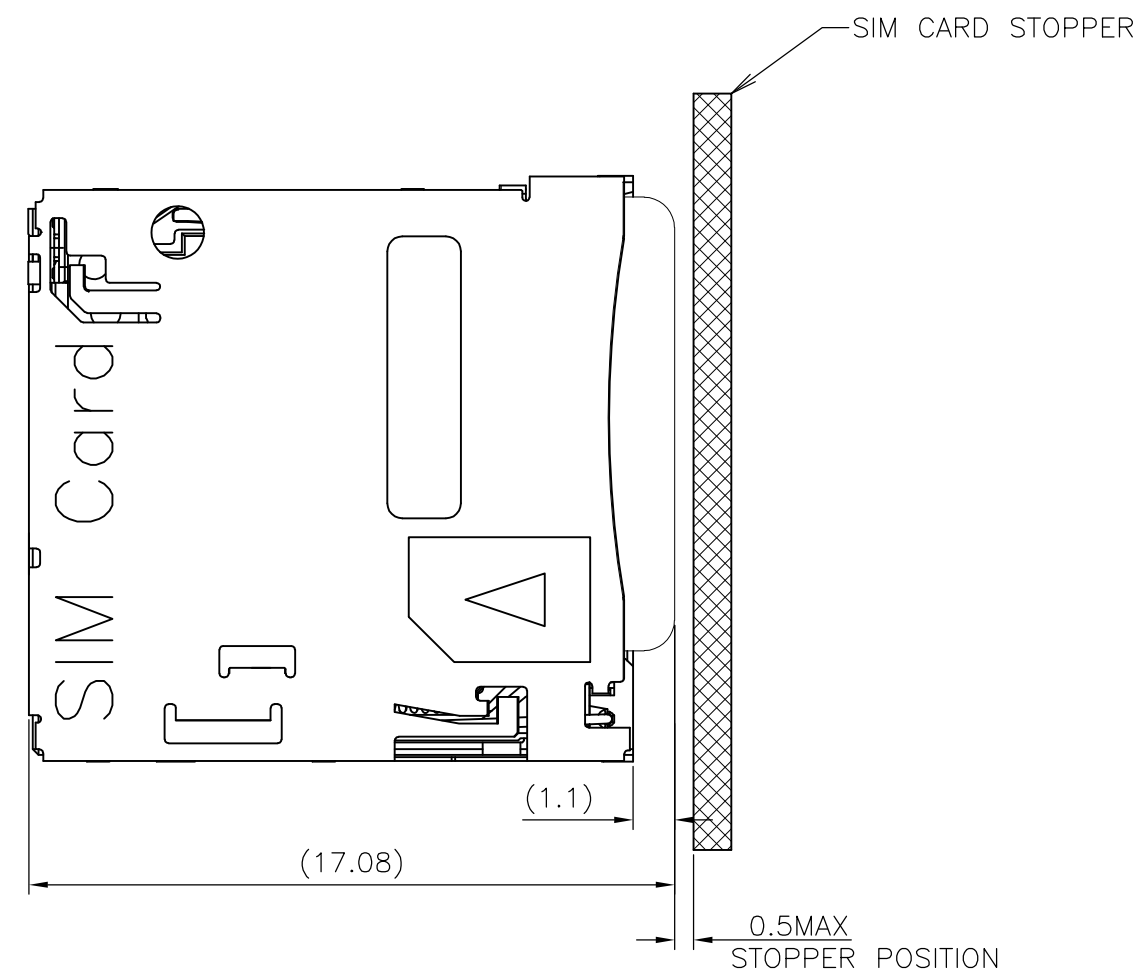
THIS DRAWING IS UNPUBLISHED. RELEASED FOR PUBLICATION JUL ,2013.  
 © COPYRIGHT 2013 By Tyco Electronics Japan G.K. ALL RIGHTS RESERVED.

LOC	DIST	REVISIONS			
P	LTR	DESCRIPTION	DATE	DWN	APVD
J	/	SEE SHEET 1	-	-	-

THERE IS NO MICRO SIM CARD LOCK IN THIS CONNECTOR.  
 CARD STOPPER AS SHOWN BELOW MUST BE NECESSARY.



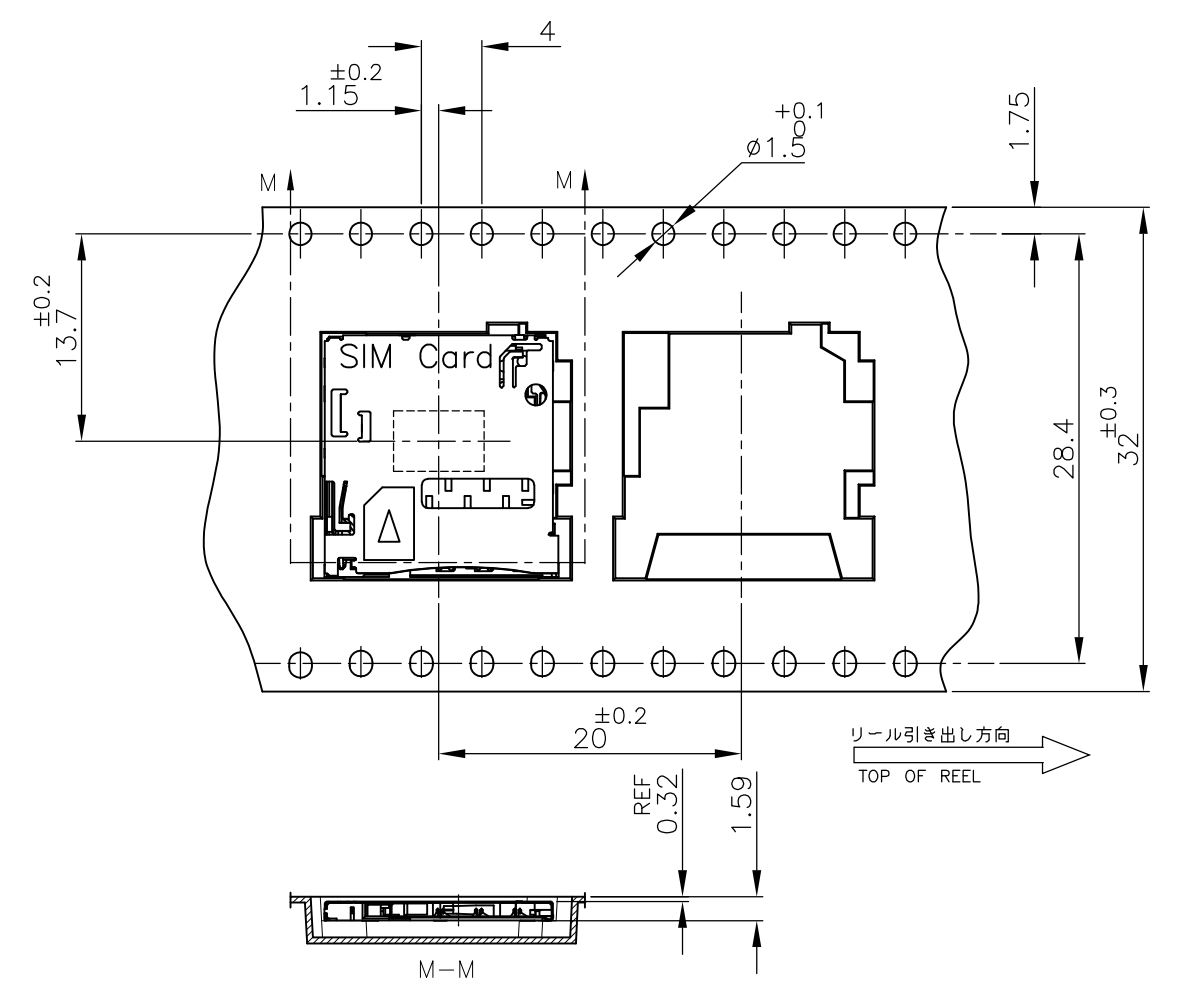
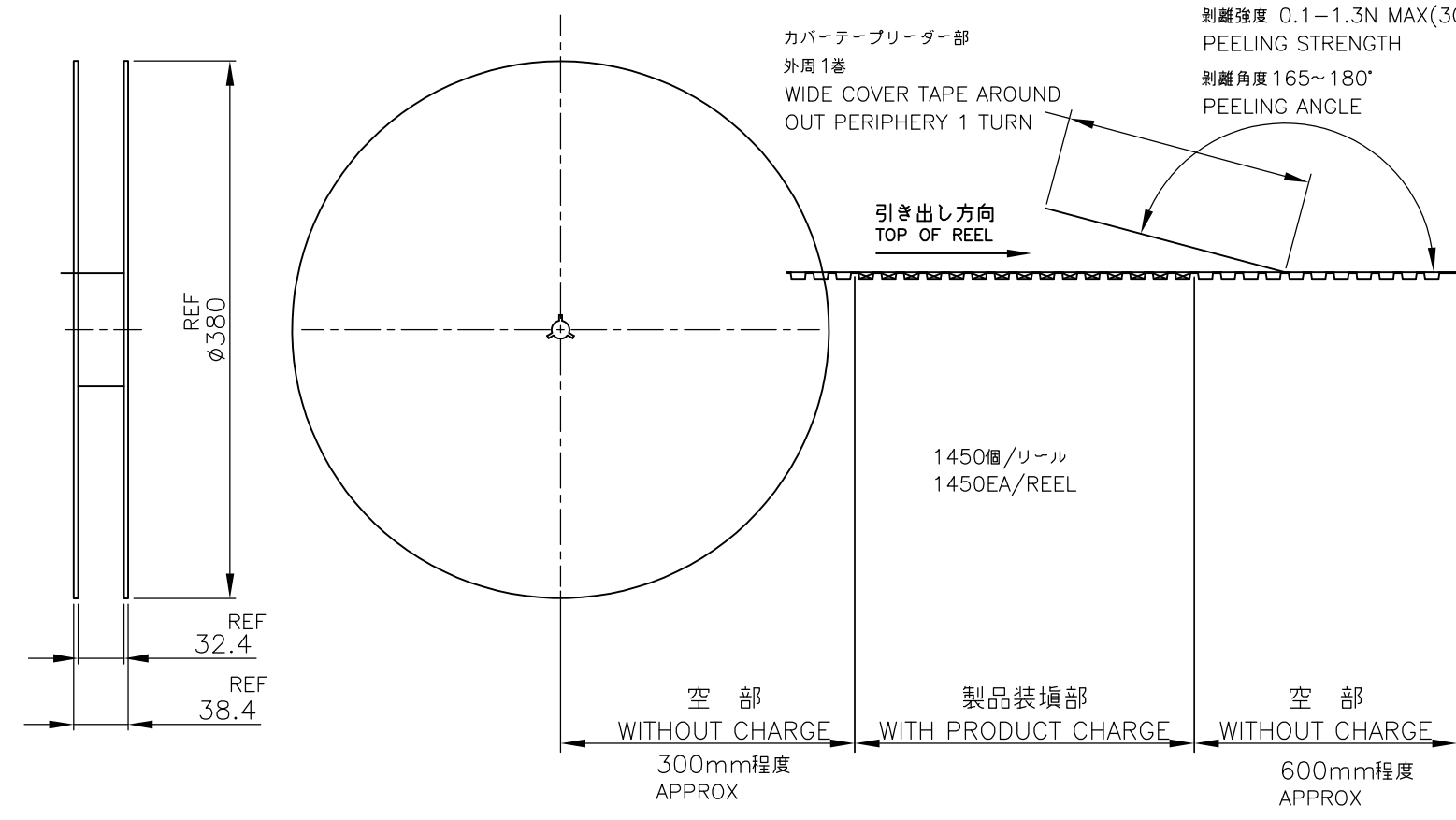
SCALE 3:1



THIS DRAWING IS A CONTROLLED DOCUMENT.		DWN	<b>STE</b> TE Connectivity		
DIMENSIONS: mm		CHK			
TOLERANCES UNLESS OTHERWISE SPECIFIED:		APVD	NAME		
0 PLC ± -		PRODUCT SPEC	MICRO SIM CONNECTOR		
1 PLC ± -		APPLICATION SPEC	PUSH-PUSH SMT TYPE		
2 PLC ± -		WEIGHT	SIZE	CAGE CODE	DRAWING NO
3 PLC ± -		CUSTOMER DRAWING	A3	00779	C-2229333
4 PLC ± -			SCALE	SHEET	REV
ANGLES ± -		5:1	4 OF 5	B	
FINISH		RESTRICTED TO			

THIS DRAWING IS UNPUBLISHED. RELEASED FOR PUBLICATION JUL ,2013.  
 © COPYRIGHT 2013 By Tyco Electronics Japan G.K. ALL RIGHTS RESERVED.

LOC	DIST	REVISIONS			
P	LTR	DESCRIPTION	DATE	DWN	APVD
J	/	SEE SHEET 1	-	-	-



THIS DRAWING IS A CONTROLLED DOCUMENT.		DWN	TE Connectivity NAME MICRO SIM CONNECTOR PUSH-PUSH SMT TYPE				
DIMENSIONS: mm		CHK					
TOLERANCES UNLESS OTHERWISE SPECIFIED:		APVD					
0 PLC ± - 1 PLC ± - 2 PLC ± - 3 PLC ± - 4 PLC ± - ANGLES ± -		PRODUCT SPEC					
MATERIAL		FINISH	APPLICATION SPEC	SIZE	CAGE CODE	DRAWING NO	RESTRICTED TO
			WEIGHT	A3	00779	C-2229333	-
CUSTOMER DRAWING			SCALE	NTS	SHEET	5 OF 5	REV
							B

## X-ON Electronics

Largest Supplier of Electrical and Electronic Components

*Click to view similar products for [Memory Card Connectors](#) category:*

*Click to view products by [TE Connectivity](#) manufacturer:*

Other Similar products are found below :

[M10-597810-355](#) [M21-033321-005](#) [6426-201-21343](#) [69.920.0553.0](#) [MCR60A-98D-2.54DSA\(70\)](#) [FCN-568P068-G/07-4V](#) [809180410000000](#)  
[95622-003LF](#) [AD2-262F-38900-232](#) [DM3AT-SF-PEJM5\(41\)](#) [EN2997S72039F6](#) [N7E50-7516PG-20-WF](#) [IC11S-BUR-PNEJL\(71\)](#) [NX30TA-](#)  
[15PAA\(50\)](#) [21920-5](#) [2041353-2](#) [FUA006-3220-0](#) [33CFAE-DN](#) [MI21A-50PD-SF-EJR\(91\)](#) [502431-1011](#) [5175651-2](#) [10-247926-166](#) [11327-](#)  
[001](#) [11327-002](#) [EN2997S02039B8](#) [EN2997S61212BN](#) [EN2997S72039B6](#) [EN2997SE02039B8](#) [EN2997SE61212BN](#) [EN2997SE72039B6](#)  
[603020000](#) [617230001](#) [71-252718-32P](#) [NX1-32T-KT3K\(05\)](#) [95622-003LF](#) [91-570124-15P](#) [192900-0488](#) [DM1AA-SF-PEJ](#) [95079-00CALF](#)  
[84648-056HLF](#) [68-580163-21S](#) [33DVIR-29S12R](#) [SF58S006VBBR2000](#) [93-570123-08P](#) [GMC020080HR](#) [125A-78C00](#) [1010040575#](#)  
[MI20A-50PD-SF-EJL\(71\)](#) [KP10S-SF-PEJ\(812\)](#) [DM1AA-SF-PEJ\(31\)](#)