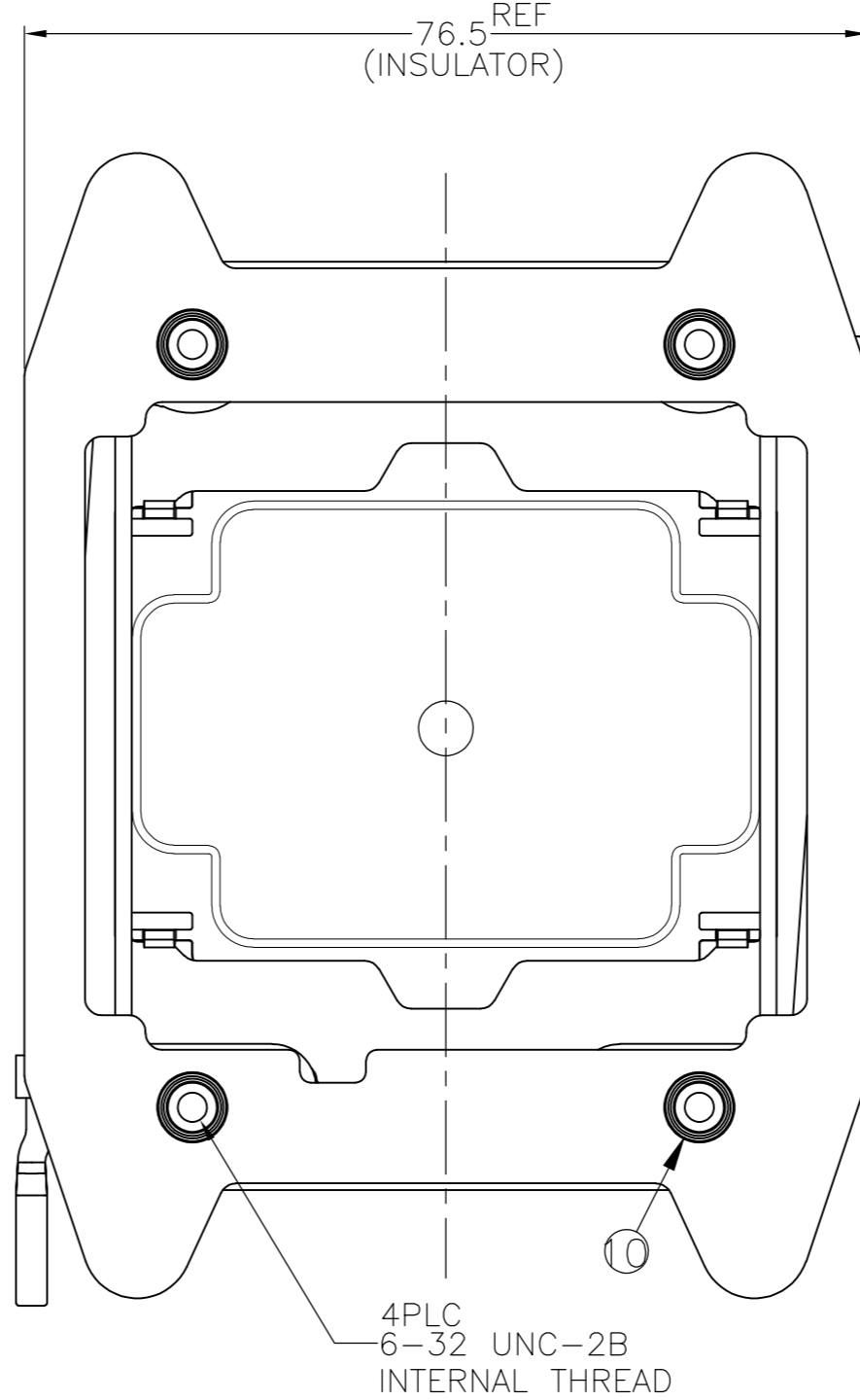
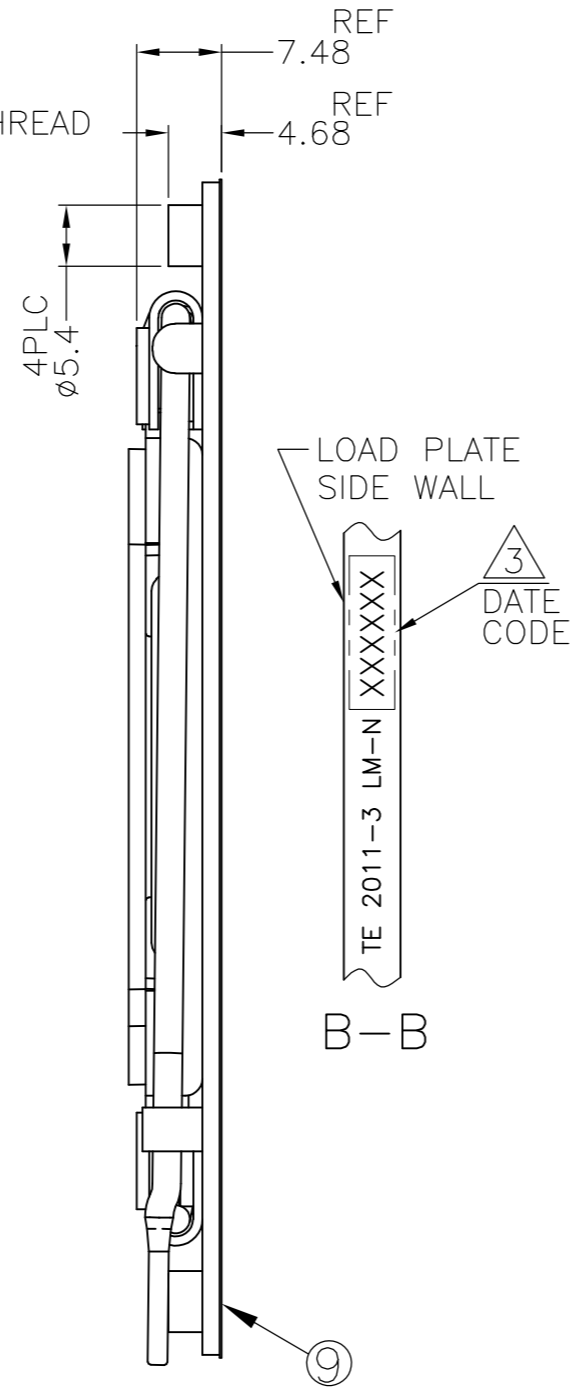
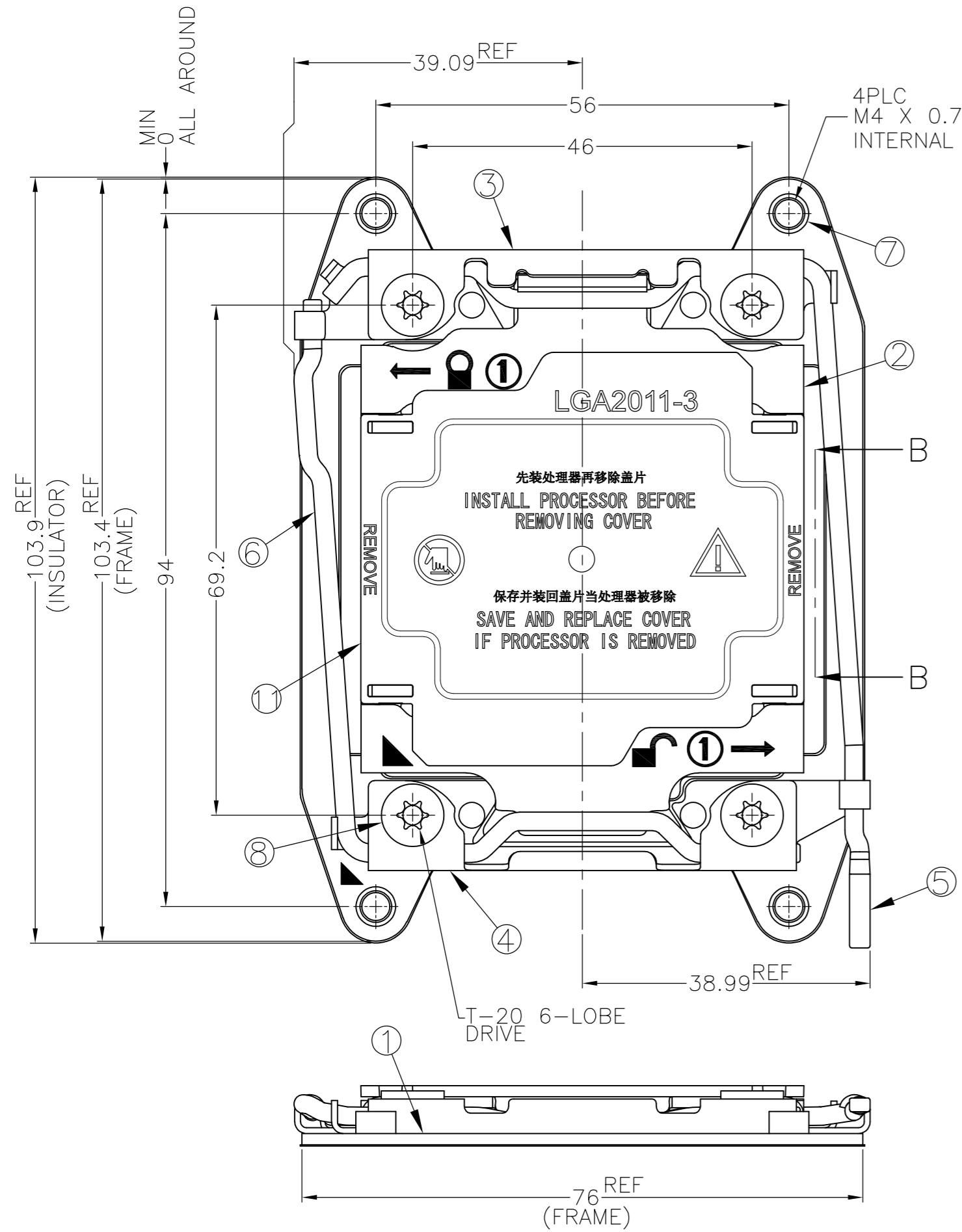
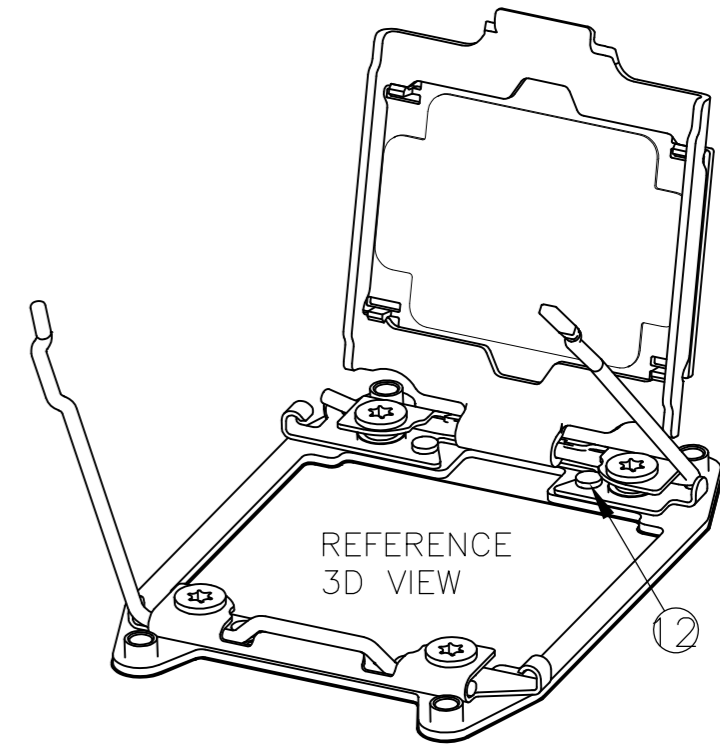


THIS DRAWING IS UNPUBLISHED. RELEASED FOR PUBLICATION APR , 2011.  
 © COPYRIGHT 2011 By Tyco Electronics Japan G.K. ALL RIGHTS RESERVED.

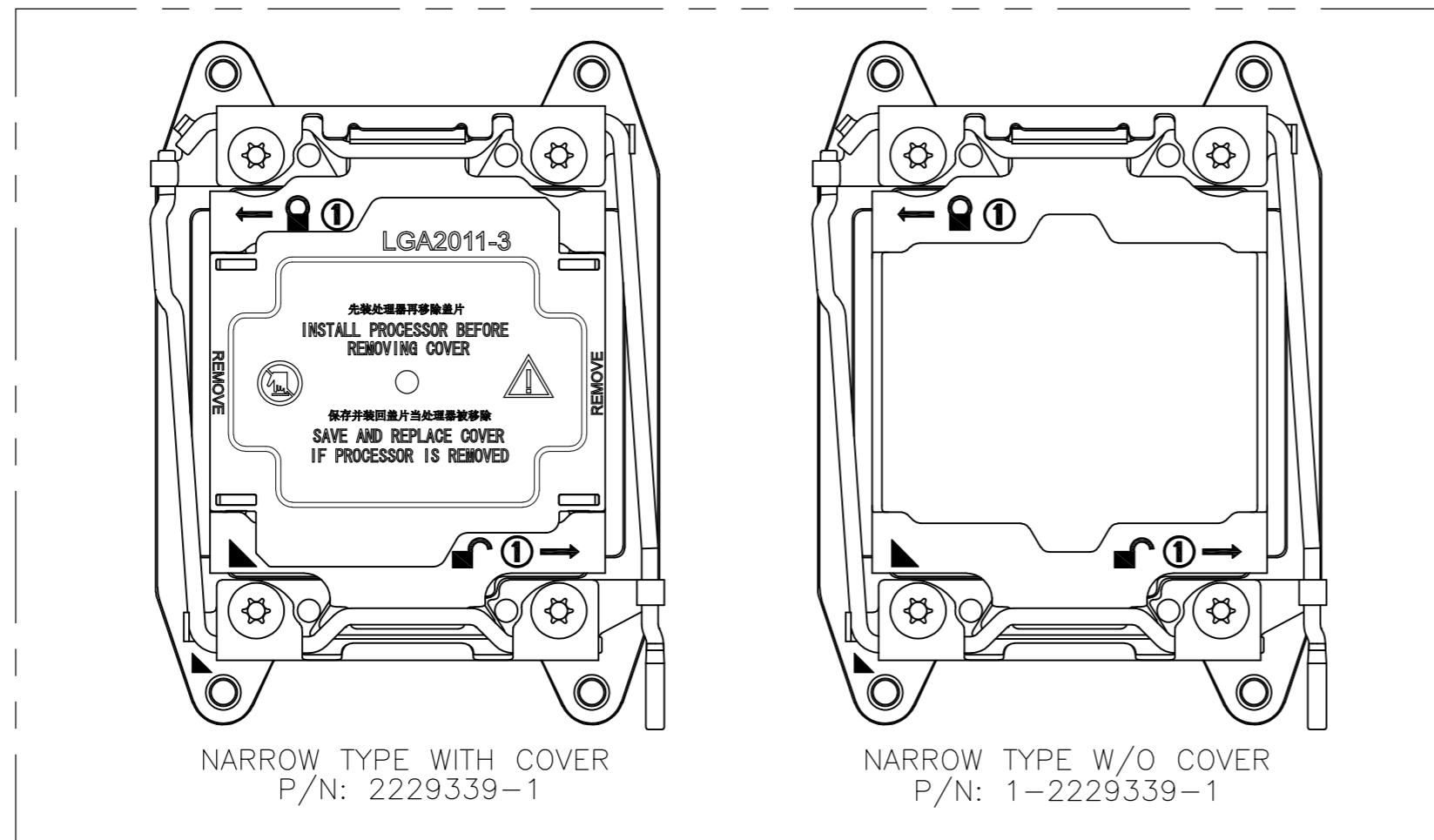
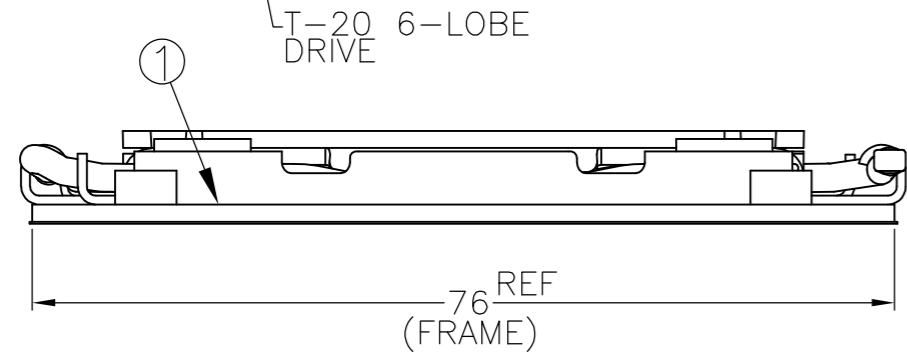
LOC	DIST	REVISIONS					
		P	LTR	DESCRIPTION	DATE	DWN	APVD
J	-	A	RELEASED		29NOV'13	R.Z	C.W



- MATERIAL
  - ① FRAME: STAINLESS STEEL
  - ② LOAD PLATE: STAINLESS STEEL
  - ③ HINGE CLEVIS: STAINLESS STEEL
  - ④ ACTIVE CLEVIS: STAINLESS STEEL
  - ⑤ HINGE LEVER: STAINLESS STEEL, 2.5 DIA
  - ⑥ ACTIVE LEVER: STAINLESS STEEL, 2.5 DIA
  - ⑦ HS STUD: CARBON STEEL, FINISH: NI PLATING
  - ⑧ CAPTIVE NUT: CARBON STEEL, FINISH: NI PLATING
  - ⑨ INSULATOR: POLYCARBONATE FILM PLUS ACRYLIC ADHESIVE LAYER
  - ⑩ CAPTIVE NUT COLLAR: CARBON STEEL, FINISH: NI PLATING
  - ⑪ DUST COVER: THERMO-PLASTIC, UL94V-0, BLACK
  - ⑫ RIVET: STAINLESS STEEL
2. APPLICABLE SOCKET P/N: 2201838 SERIES
- ③ INDICATED DATE CODE ON THE LOAD PLATE
- ④ DO NOT OPEN WITH FORCE FROM OPEN END



P/N: 2229339-1 AS SHOWN  
(NARROW TYPE WITH COVER)



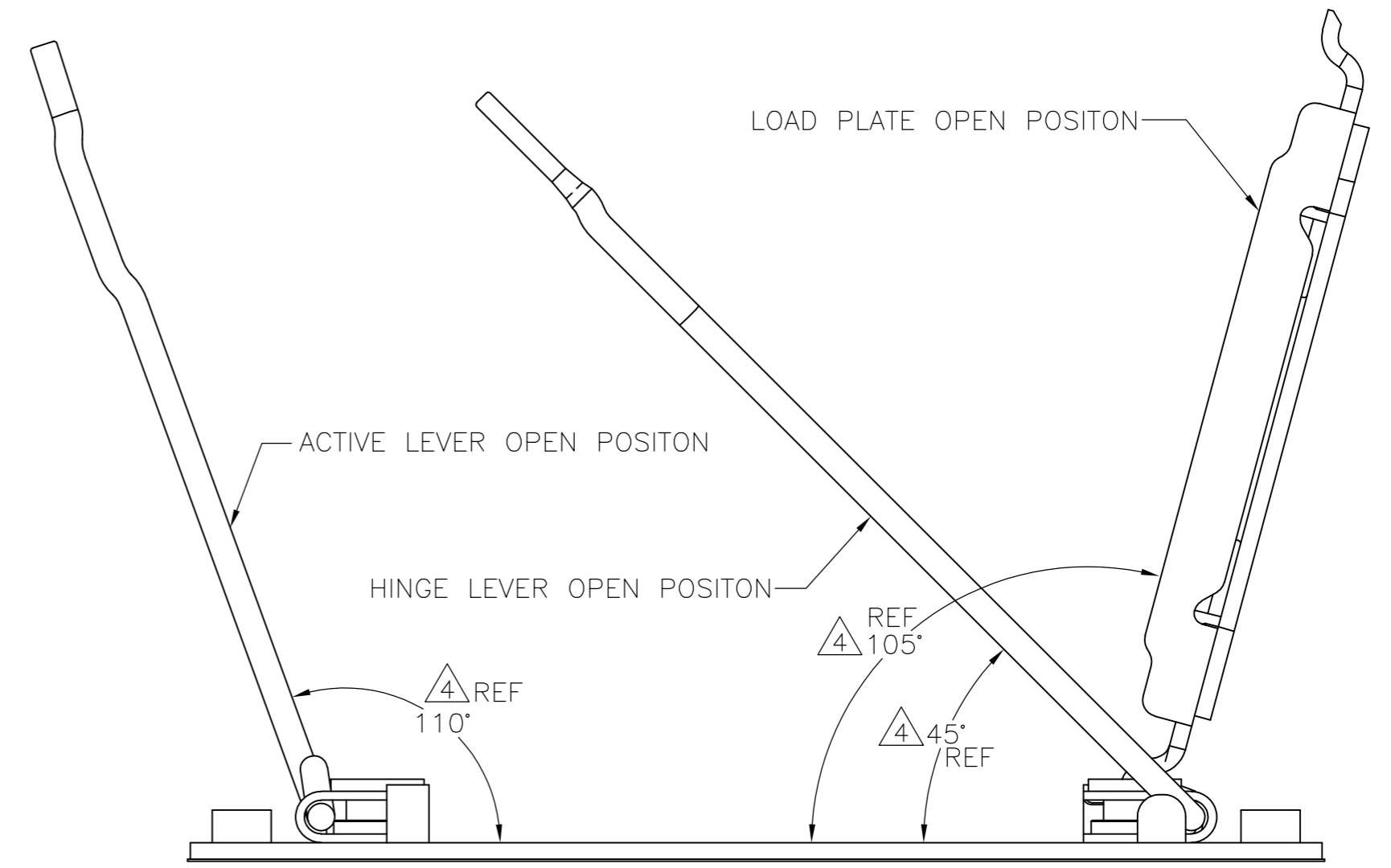
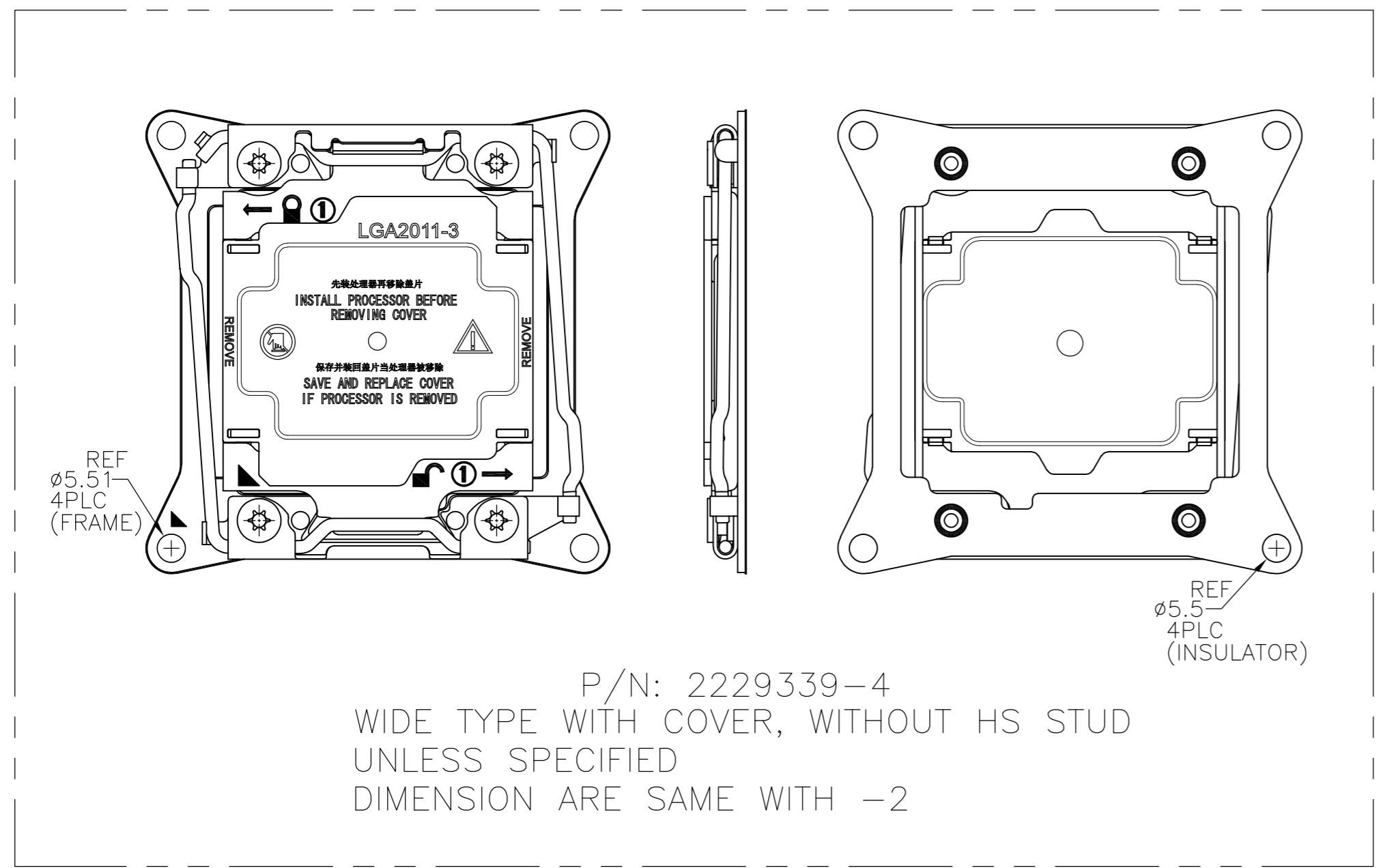
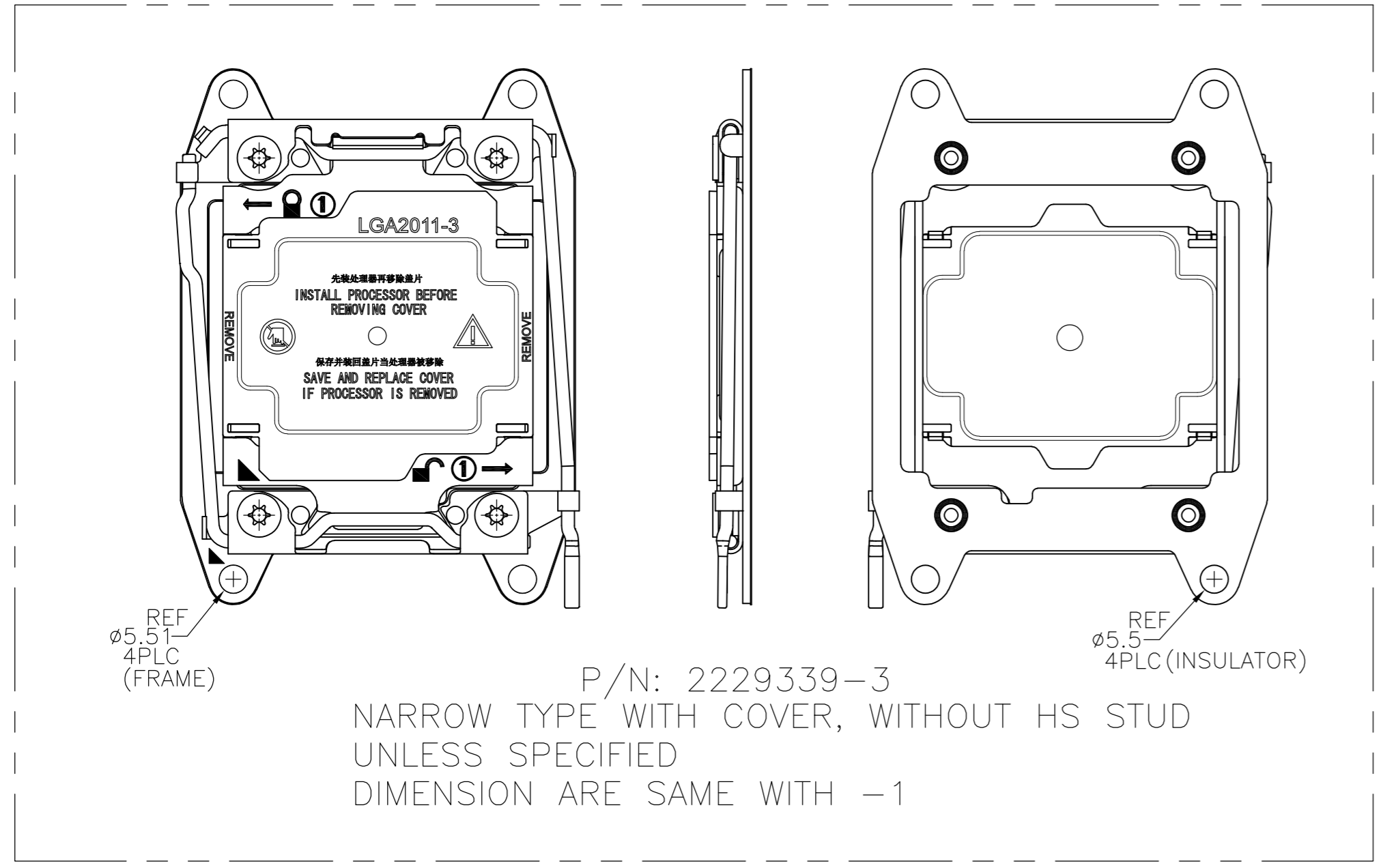
81.2g	WIDE TYPE WITH COVER, W/O HS STUD	2229339-4
81.1g	NARROW TYPE WITH COVER, W/O HS STUD	2229339-3
77.8g	WIDE TYPE W/O COVER	1-2229339-2
82.8g	WIDE TYPE WITH COVER	2229339-2
77.7g	NARROW TYPE W/O COVER	1-2229339-1
82.7g	NARROW TYPE WITH COVER	2229339-1
WEIGHT	DESCRIPTION	P/N

THIS DRAWING IS A CONTROLLED DOCUMENT.		DWN J.CHEN 27NOV'13	TE Connectivity	
		CHK SIMON LI 27NOV'13		
		APVD COREL WANG 29NOV'13	NAME 名称	
		PRODUCT SPEC 製品規格	ILM ASSY	
		APPLICATION SPEC 取付適用規格	LGA2011-3	
		WEIGHT SEE TABLE	SIZE A2	CAGE CODE 00779
		CUSTOMER DRAWING	DRAWING NO 番号 C=2229339	RESTRICTED TO -
			SCALE 尺度 NTS	SHEET 1 of 3



THIS DRAWING IS UNPUBLISHED. RELEASED FOR PUBLICATION APR , 2011.  
 © COPYRIGHT 2011 By Tyco Electronics Japan G.K. ALL RIGHTS RESERVED.

LOC		DIST		REVISIONS			
J		-		我	更		
P	LTR	DESCRIPTION	DATE	DWN	APVD		
-	-	SEE SHEET 1	-	-	-		



LEVER AND LOAD PLATE OPEN ANGLES  
 THE ACTIVE LEVER MUST OPEN TO A SUFFICIENT  
 ANGLE TO ALLOW THE LOAD PLATE TO OPEN FREELY  
 (2229339-1,-2,-3,-4,1-2229339-1,1- -2 AS SHOWN)

THIS DRAWING IS A CONTROLLED DOCUMENT.		DWN	-	<b>TE</b> TE Connectivity	
DIMENSIONS: 单位: 毫米 mm		CHK	-		
TOLERANCES UNLESS OTHERWISE SPECIFIED: 一般公差		APVD	-	NAME 名称	
0-PLC ± ± 0.3		PRODUCT SPEC 製品規格		ILM ASSY	
1-PLC ± ± 0.3		APPLICATION SPEC 取付適用規格		LGA2011-3	
2-PLC ± ± 0.3		WEIGHT		SIZE	CAGE CODE
3-PLC ± ± 0.3		MATERIAL 材料		A2	00779
4-PLC ± ± 0.3		FINISH 仕上		DRAWING NO 番号	RESTRICTED TO
ANGLES ± ±		CUSTOMER DRAWING		C=2229339	-
SCALE 尺度 NTS		SHEET 3 of 3		REV A	

## X-ON Electronics

Largest Supplier of Electrical and Electronic Components

*Click to view similar products for [Memory Card Connectors](#) category:*

*Click to view products by [TE Connectivity](#) manufacturer:*

Other Similar products are found below :

[M21-033321-005](#) [6426-201-21343](#) [69.920.0553.0](#) [MCR60A-98D-2.54DSA\(70\)](#) [FCN-568P068-G/07-4V](#) [809180410000000](#) [95622-003LF](#)  
[DM3AT-SF-PEJM5\(41\)](#) [EN2997S72039F6](#) [N7E50-7516PG-20-WF](#) [IC11S-BUR-PNEJL\(71\)](#) [NX30TA-15PAA\(50\)](#) [NX60TA-25SAA9-](#)  
[SP\(50\)](#) [21920-5](#) [2041353-2](#) [FUA006-3220-0](#) [33CFAE-DN](#) [MI21A-50PD-SF-EJR\(91\)](#) [502431-1011](#) [5175651-2](#) [10-247926-166](#)  
[EN2997S02039B8](#) [EN2997S61212BN](#) [EN2997S72039B6](#) [EN2997SE02039B8](#) [EN2997SE61212BN](#) [EN2997SE72039B6](#) [NX1-32T-](#)  
[KT3K\(05\)](#) [95622-003LF](#) [91-570124-15P](#) [192900-0488](#) [DM1AA-SF-PEJ](#) [95079-00CALF](#) [84648-056HLF](#) [68-580163-21S](#) [33DVIR-29S12R](#)  
[SF58S006VBBR2000](#) [93-570123-08P](#) [GMC020080HR](#) [125A-78C00](#) [1010040575#](#) [MI20A-50PD-SF-EJL\(71\)](#) [KP10S-SF-PEJ\(812\)](#)  
[DM1AA-SF-PEJ\(31\)](#) [FO-10GGBLCX20-002](#) [504536-0691](#) [115S-ACA2](#) [115S-ACA3](#) [115S-BS00](#) [115S-BT00](#)