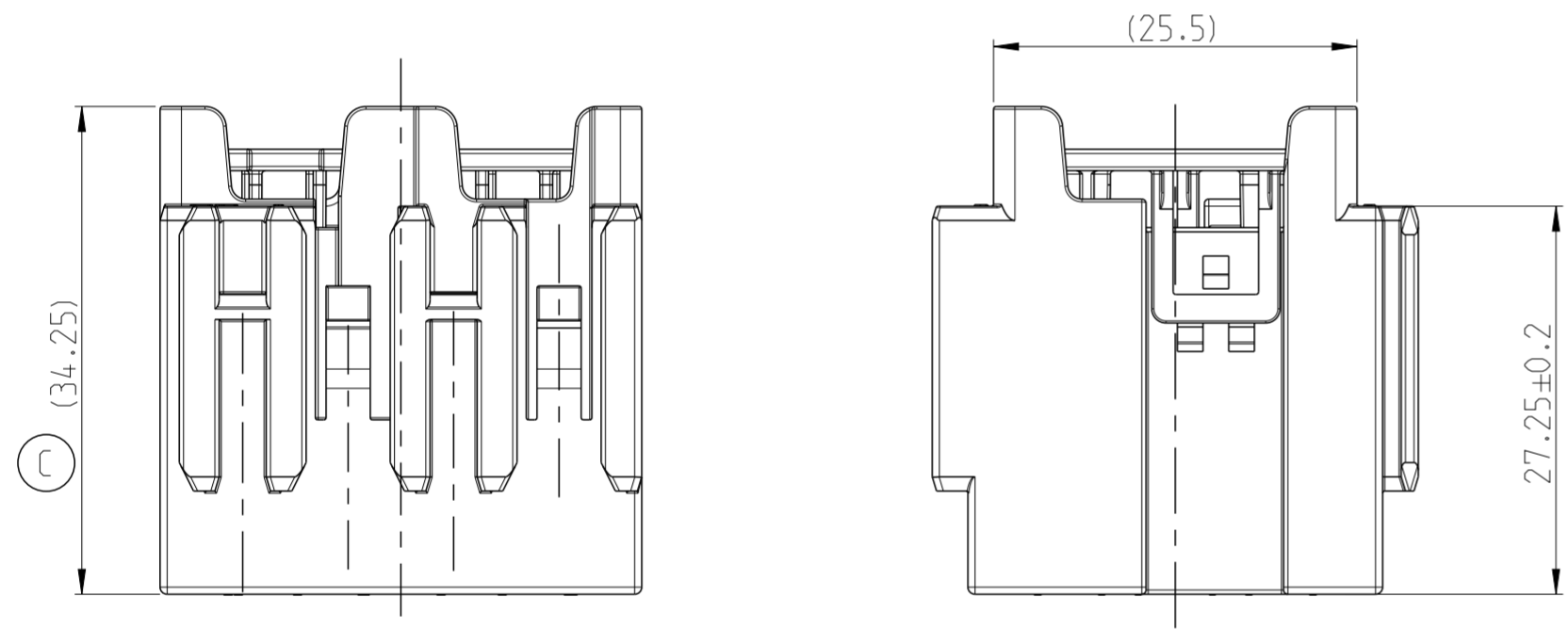
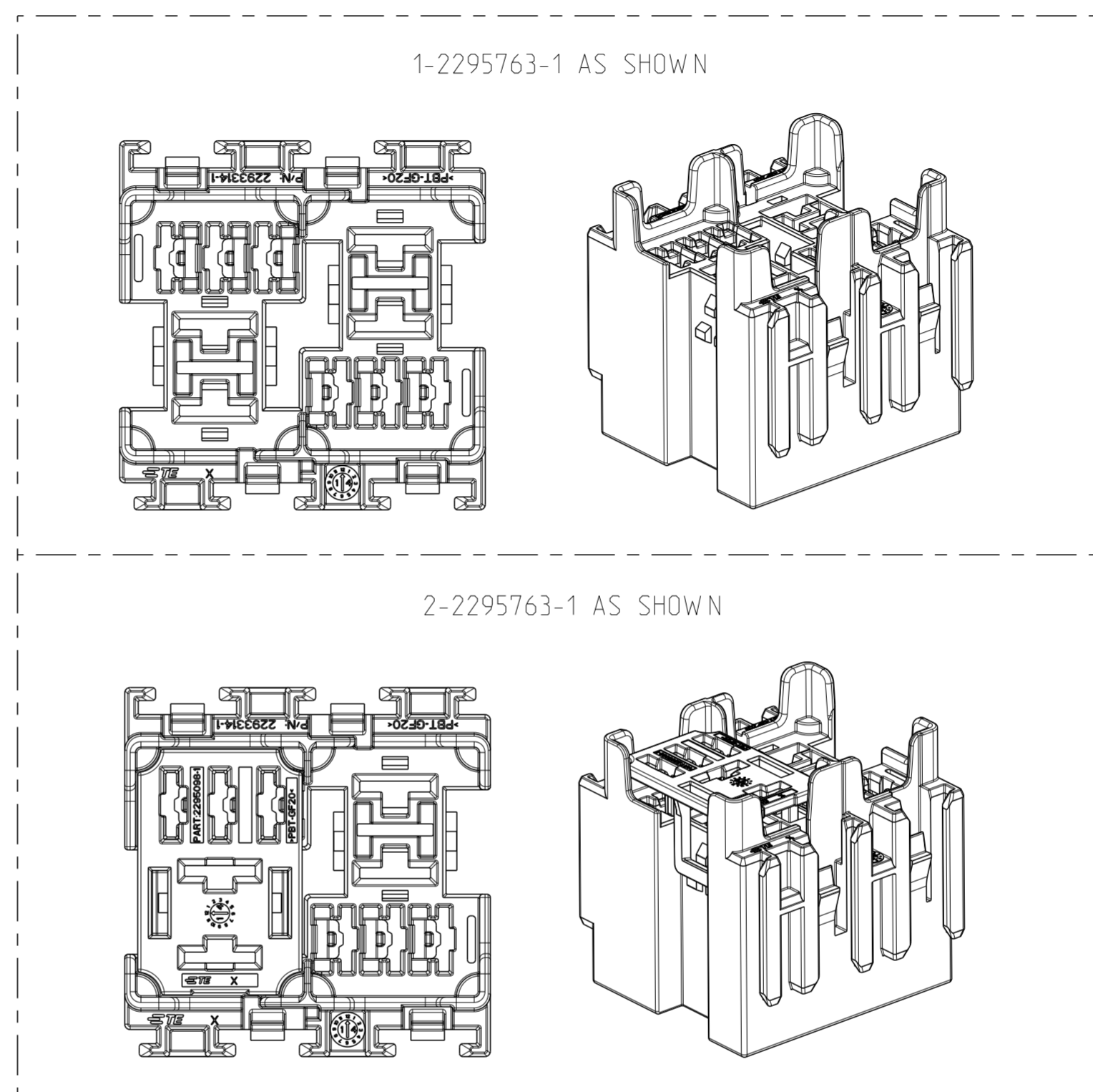
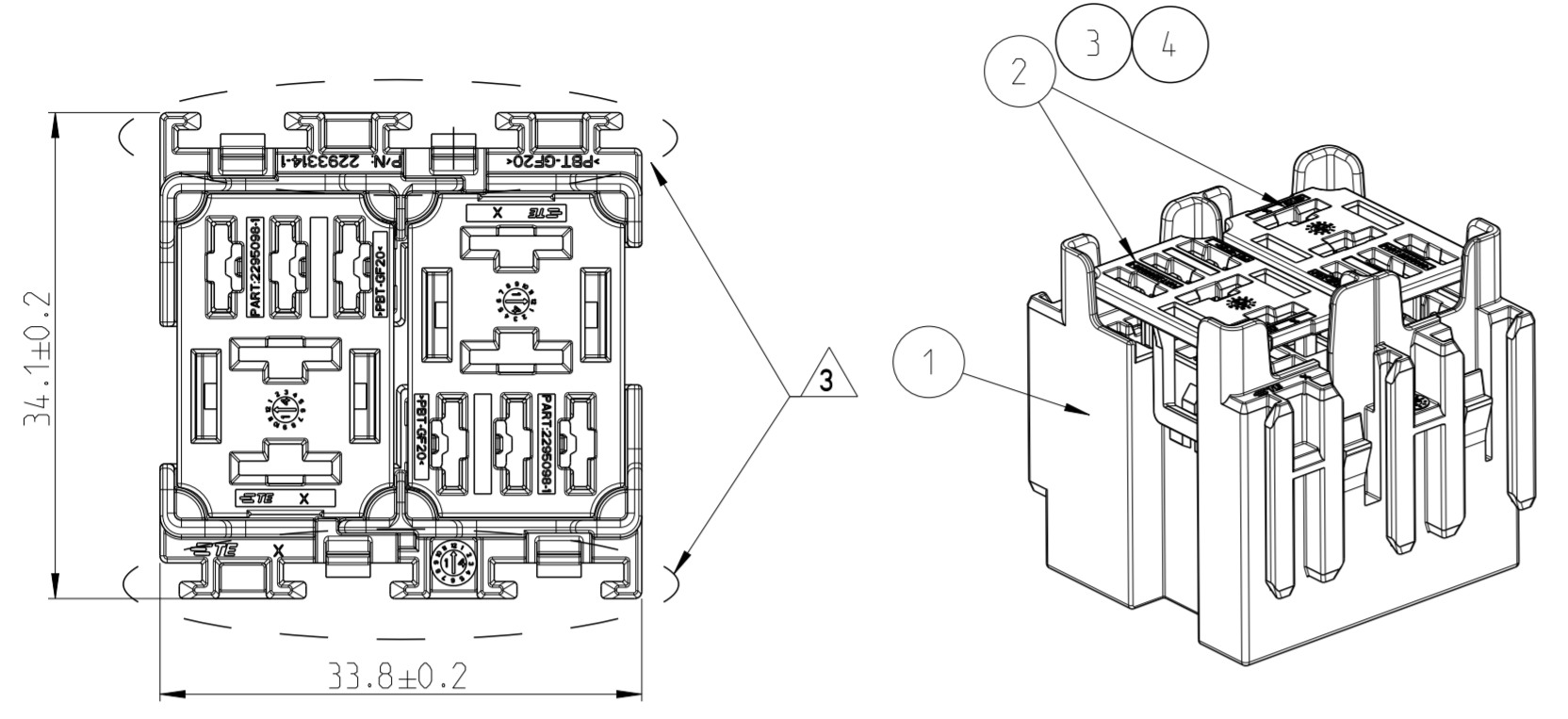


THIS DRAWING IS UNPUBLISHED. RELEASED FOR PUBLICATION 20
 © COPYRIGHT 20 BY - ALL RIGHTS RESERVED.

| REVISIONS | | | | | |
|-----------|-----|--|-----------|-----|------|
| P | LTR | DESCRIPTION | DATE | DWN | APVD |
| B | | REVISION (ECO-18-007289) | 11JUL18 | X.X | D.L |
| B1 | | REVISION (ECR-19-006402) | 23APR19 | X.X | D.L |
| B2 | | REVISION (ECO-19-018344) | 03DEC19 | W.W | D.L |
| C | | ECR-20-015780(Change protection wall height) | 26MAY2021 | X.X | D.L |



2295763-1
 2295763-2
 2295763-3
 AS SHOWN

- PLEASE REFER TO TABLE 1 FOR CONTACT INFORMATION
- RETAINERS SUPPLIED IN OPEN POSITION
- INTERFACE DRAWING FOR HOUSING MOUNTING:114-101091

| P/N | DESCRIPTION | REV |
|-------------|-------------------------|-----|
| 2-2295763-1 | MICRO RELAY HOLDER ASSY | B |
| 1-2295763-1 | MICRO RELAY HOLDER | C |
| 2295763-1 | MICRO RELAY HOLDER ASSY | C |
| 2295763-2 | MICRO RELAY HOLDER ASSY | B |
| 2295763-3 | MICRO RELAY HOLDER ASSY | B |

| ITEM | DESCRIPTION | MATERIAL | COLOUR | QTY | | | |
|------|-------------|----------|--------|-----|---|---|---|
| 4 | RETAINER | PBT-GF20 | BLUE | 2 | - | - | - |
| 3 | RETAINER | PBT-GF20 | GRAY | - | 2 | - | - |
| 2 | RETAINER | PBT-GF20 | RED | - | - | 2 | 1 |
| 1 | HOUSING | PBT-GF20 | BLACK | 1 | 1 | 1 | 1 |

TABLE 1

| CONTACT TYPE | PART NO. | WIRE RANGE MM ² |
|--------------|-----------|----------------------------|
| FASTON 4.8 | 1897537-1 | 0.3-0.5 |
| | 1897538-1 | 0.75-1.25 |
| | 1897539-1 | 2.0-3.0 |
| MCP6.3/4.8K | 1241404-1 | 1.0-2.5 |
| | 1241406-1 | 2.5-4.0 |
| | 241408-1 | 4.0-6.0 |

THIS DRAWING IS A CONTROLLED DOCUMENT.

| DIMENSIONS: mm | TOLERANCES UNLESS OTHERWISE SPECIFIED: | DWN CHARLES WAN 15-Jun-16 | TE Connectivity MICRO RELAY HOLDER ASSEMBLY | | | | | | | | |
|----------------|--|-----------------------------|---|------|-----------|------------|---------------|----|-------|-----------|--|
| | 0 PLC ± | CHK AREIAL DANG 06 JUL 2016 | | | | | | | | | |
| | 1 PLC ±0.30 | APVD S.Y. WANG 06 JUL 2016 | | | | | | | | | |
| | 2 PLC ±0.15 | PRODUCT SPEC 108-101418 | | | | | | | | | |
| MATERIAL | ANGLES ±° | FINISH | <table border="1"> <tr> <th>SIZE</th> <th>CAGE CODE</th> <th>DRAWING NO</th> <th>RESTRICTED TO</th> </tr> <tr> <td>A2</td> <td>00779</td> <td>C-2295763</td> <td></td> </tr> </table> | SIZE | CAGE CODE | DRAWING NO | RESTRICTED TO | A2 | 00779 | C-2295763 | |
| SIZE | CAGE CODE | DRAWING NO | RESTRICTED TO | | | | | | | | |
| A2 | 00779 | C-2295763 | | | | | | | | | |

CUSTOMER DRAWING SCALE 2:1 SHEET 1 OF 1 REV C

X-ON Electronics

Largest Supplier of Electrical and Electronic Components

Click to view similar products for [Automotive Connectors](#) category:

Click to view products by [TE Connectivity](#) manufacturer:

Other Similar products are found below :

[003-018-000](#) [60993906-B](#) [72.330.1035.1](#) [F358300-B](#) [F407400](#) [776880-1](#) [827153-1](#) [8N1515-32-24P](#) [9-1326729-8](#) [925474-1](#) [928905-1](#)
[964562-4](#) [968782-1](#) [98891-1012](#) [12004475-L](#) [12041318-B](#) [12052466](#) [12015909](#) [1-21030-1](#) [12041318](#) [12047957](#) [12185550](#) [12336-12](#)
[12147304](#) [1-326211-1](#) [13681974](#) [13783086](#) [13832576](#) [13542772](#) [13675513](#) [1428188-1](#) [1437287-3](#) [1428188-2](#) [DS07-19S-5020](#) [1456983-5](#)
[1456987-7](#) [APD-7CP-H](#) [APK-SB25A10L](#) [1452931-2](#) [15336198](#) [15491972](#) [15305306](#) [15396680](#) [15425613](#) [15518544](#) [15522351](#) [1719636-1](#)
[172190-2](#) [172190-5](#) [192900-0402](#)