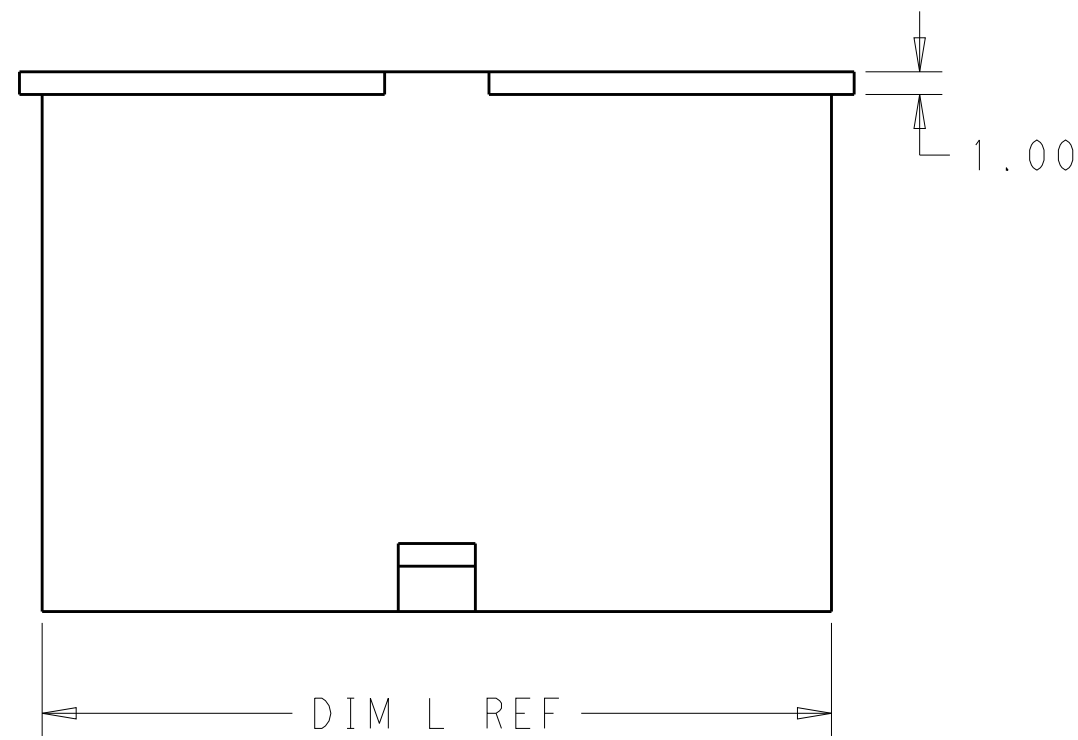
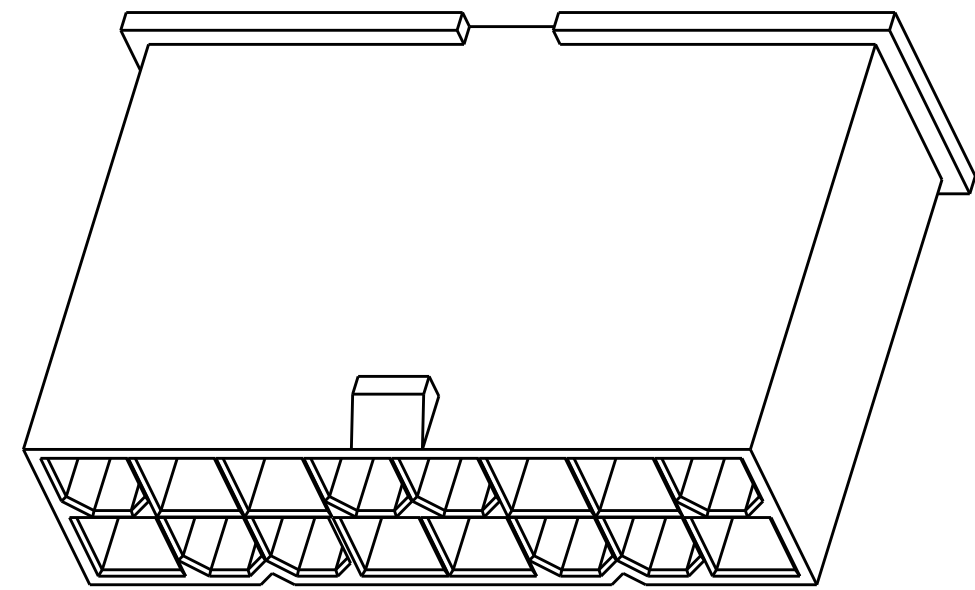
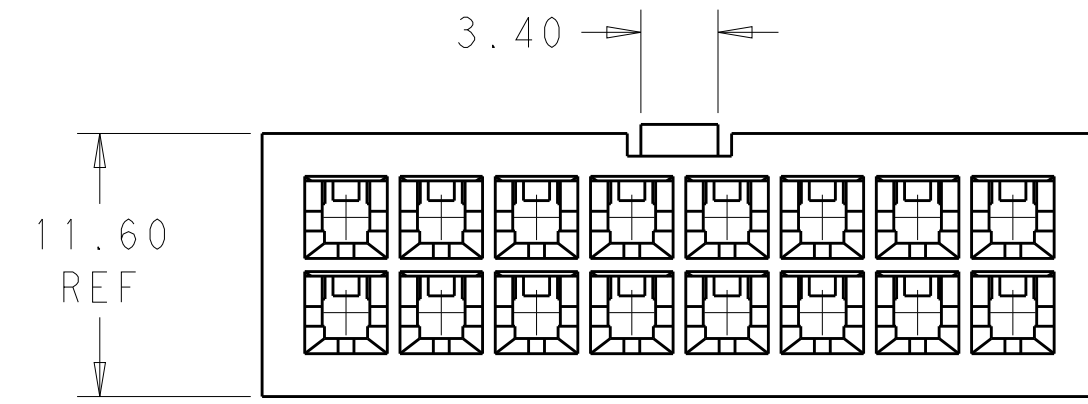
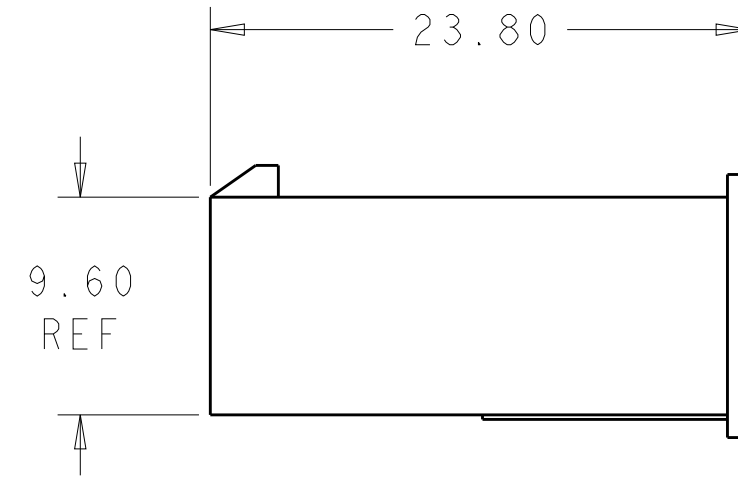
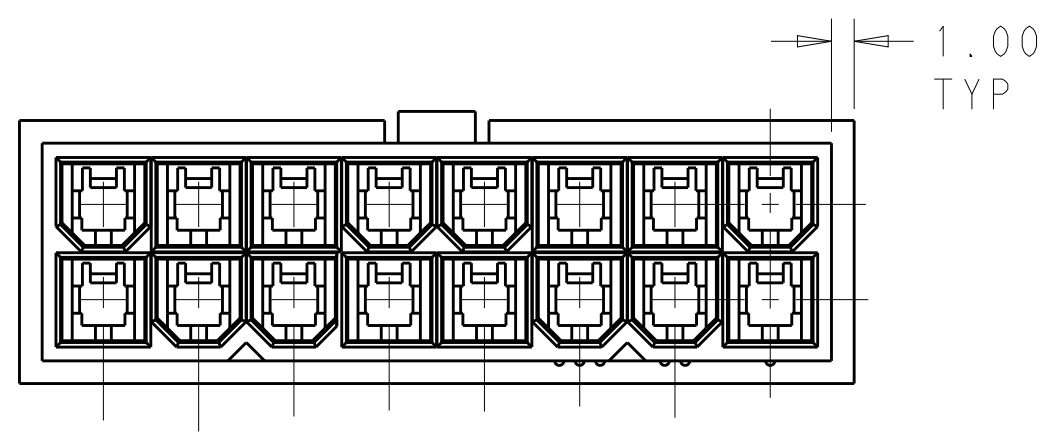


THIS DRAWING IS UNPUBLISHED. RELEASED FOR PUBLICATION 20
 © COPYRIGHT 20 BY - ALL RIGHTS RESERVED.

LOC	DIST	REVISIONS					
AF	-	P	LTR	DESCRIPTION	DATE	DWN	APVD
		A		REVISED PER ECR-15-014244	23SEP2015	NK	DC



- 1 POLYAMIDE, UL94-V0, COLOR: NATURAL (WHITE)
- 2 GLOW WIRE FLAMMABILITY INDEX (GWFI) 850°C AT LEAST ACC. TO IEC 60335-1
- 3 GLOW WIRE IGNITION TEMPERATURE (GWIT) 775°C AT LEAST, ACC. TO IEC 60335-1
- 4 GLOW WIRE END PRODUCT TEMPERATURE (GWEPT) 750°C NO FLAME, ACC. TO IEC 60335-1



51.60	24	2-2296206-4
47.40	22	2-2296206-2
43.20	20	2-2296206-0
39.00	18	1-2296206-8
34.80	16	1-2296206-6
30.60	14	1-2296206-4
26.40	12	1-2296206-2
22.20	10	1-2296206-0
18.00	8	2296206-8
13.80	6	2296206-6
9.60	4	2296206-4
5.40	2	2296206-2
DIM L	NO. OF POS	PART NO.

THIS DRAWING IS A CONTROLLED DOCUMENT.

DIMENSIONS: mm 	TOLERANCES UNLESS OTHERWISE SPECIFIED: 0 PLC ± 1 PLC ± 2 PLC ±0.25 3 PLC ± 4 PLC ± ANGLES ± FINISH ±	DWN NAGALAKSHMI K 23SEP2015	TE Connectivity	
		CHK CHIARELLI, DAVIDE 23SEP2015		
MATERIAL 1		APVD CHIARELLI, DAVIDE 23SEP2015		NAME PLUG HOUSING VAL-U-LOK, GLOW WIRE AND V0
		PRODUCT SPEC 108-2112		SIZE CAGE CODE DRAWING NO RESTRICTED TO
		APPLICATION SPEC 114-13172	A200779 C-2296206	
		WEIGHT -	SCALE 3:1 SHEET 1 OF 1 REV A	
Customer Drawing				

X-ON Electronics

Largest Supplier of Electrical and Electronic Components

Click to view similar products for [Headers & Wire Housings](#) category:

Click to view products by [TE Connectivity](#) manufacturer:

Other Similar products are found below :

[892-18-020-10-001101](#) [58102-G61-06LF](#) [582553-1](#) [0009485154](#) [009176003701906](#) [0050291907](#) [LY20-4P-DT1-P1E-BR](#) [02.125.8002.8](#)
[609-3404](#) [61062-3](#) [61082-181009](#) [622-3653LF](#) [63453-116](#) [636-1030](#) [636-1427](#) [636-3427](#) [636-4007](#) [641938-9](#) [641991-4](#) [644827-2](#) [65817-](#)
[010LF](#) [65817-015LF](#) [65863-015LF](#) [66207-023LF](#) [67095-007LF](#) [67601157](#) [68645-018](#) [68648-049](#) [70.362.1628.0](#) [70-4210](#) [70-4226B](#) [70-](#)
[4853B](#) [707-5020](#) [707-5028](#) [71.350.2428.0](#) [71918-208LF](#) [71961-016LF](#) [733-134](#) [733-162](#) [754199-000](#) [760-3052](#) [787-8014-00](#) [79531-3000](#)
[FCN-360C032-B](#) [FCN-367T-T012/H](#) [FCN-723D010/2](#) [80.063.4001.1](#) [800-90-001-10-001000](#) [800-90-010-10-002000](#) [801-43-002-10-013000](#)