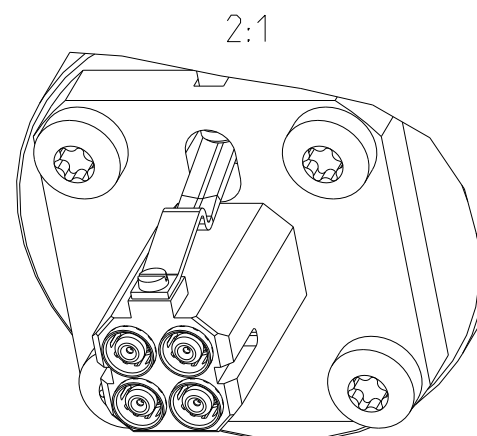
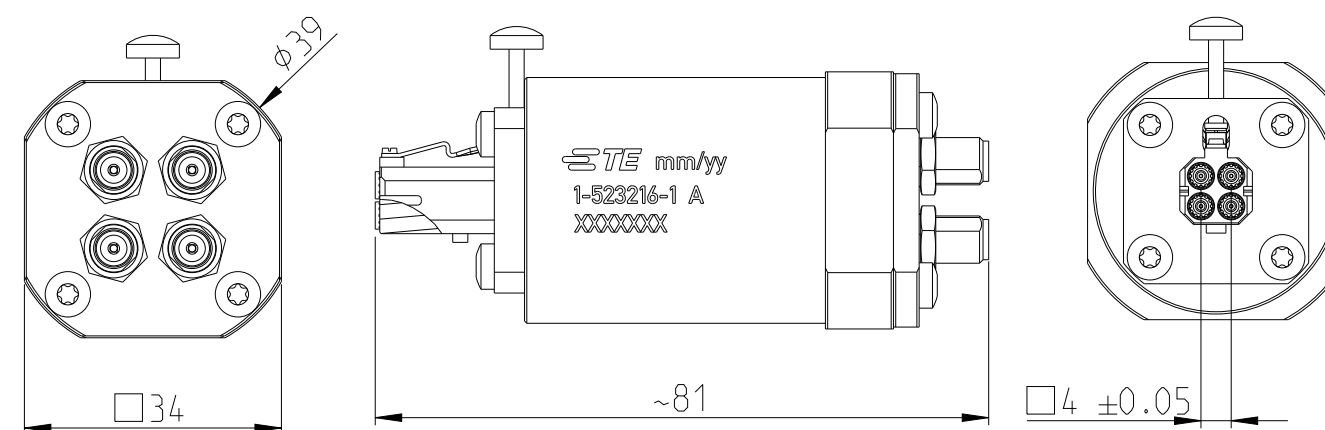



REVISIONS

| P | LTR | DESCRIPTION | DATE | DWN | APVD |
|---|-----|-----------------|-----------|-----|------|
| | A | INITIAL DRAWING | 02FEB2018 | BM | LB |
| | A1 | ECR-21-005161 | 06MAY2021 | BM | MP |
| | | | | | |

| Radio frequency characteristics | |
|---|--|
| Interface type | 3.5mm Socket per IEC 60169-23 / MATE-AX plug |
| Frequency range | DC to 9GHz |
| Impedance | 50Ω |
| Return loss, min. -mated with adapter 1-523216-0 -perfect axial alignment is mandatory -TDR gated (lowpass step) | 30 dB @ DC to 1 GHz 25 dB @ 1 to 2 GHz 20 dB @ 2 to 9 GHz |
| Mechanical characteristics | |
| Center conductor material / surface finish | CuBe age hardened / gold-plated |
| Outer conductor material / surface finish | copper alloy / gold plated |
| Insulation | PS, cross linked polystyrene |
| Other metallic parts / surface finish | aluminium / passivated copper alloy / nickel plated, silver-plated stainless steel |
| Marking | Logo, Rev., Order No., Prod. date, Serial no. |
| Recommended torque (3.5mm socket) | 0.9NM ± 10% |
| Engagement force, approx. | 25N |
| Disengagement force, approx. | 30N |
| Matings, max. | 500 |
| Environmental conditions | |
| Storage | |
| Ambient temperature range | -40 to +70 °C |
| Relative humidity | 95% (non-condensing) |
| Scope of delivery and accessories and Application | |
| Scope of delivery | Adapter and Data sheet packed in a box |
| Application | MATE-AX, 4 pos. Pin Hsg. 2298724, 2325359, 2362803 |



TE Order No. 1-523216-1

| | | | | | | | | | | |
|--|--|--------------|----------|------------------|--|------------|--|--|-----------|---------------|
| THIS DRAWING IS A CONTROLLED DOCUMENT. | | DWN | B. Muth | 02FEB2018 |  TE Connectivity | NAME | | MATE-AX, HF-ADAPTER, 4 POS SOCKET-RPC 3.50 SOCKET | | |
| DIMENSIONS: | | CHK | L. Bauer | 02FEB2018 | | APVD | | L. Bauer | | 02FEB2018 |
| mm | | PRODUCT SPEC | | APPLICATION SPEC | | SIZE | | A3 | CAGE CODE | 00779 |
| TOLERANCES UNLESS OTHERWISE SPECIFIED: | | MATERIAL | | WEIGHT | | DRAWING NO | | G=1-523216-1 | | RESTRICTED TO |
| 0 PLC ±0.3 | | - | | ~110g | | - | | - | | - |
| 1 PLC ±0.2 | | - | | CUSTOMER DRAWING | | SCALE | | 1:1 | | SHEET |
| 2 PLC ± | | - | | - | | SHEET | | 1 OF 1 | | REV |
| 3 PLC ± | | - | | - | | - | | - | | A1 |
| 4 PLC ± | | - | | - | | - | | - | | |
| ANGLES ± | | - | | - | | - | | - | | |
| FINISH | | - | | - | | - | | - | | |

X-ON Electronics

Largest Supplier of Electrical and Electronic Components

Click to view similar products for [Headers & Wire Housings](#) category:

Click to view products by [TE Connectivity](#) manufacturer:

Other Similar products are found below :

[892-18-020-10-001101](#) [58102-G61-06LF](#) [582553-1](#) [0009485154](#) [009176003701906](#) [0050291907](#) [LY20-4P-DT1-P1E-BR](#) [02.125.8002.8](#)
[609-3404](#) [61062-3](#) [61082-181009](#) [622-3653LF](#) [63453-116](#) [636-1030](#) [636-1427](#) [636-3427](#) [636-4007](#) [641938-9](#) [641991-4](#) [644827-2](#) [65817-010LF](#) [65817-015LF](#) [65863-015LF](#) [66207-023LF](#) [67095-007LF](#) [67601157](#) [68645-018](#) [68648-049](#) [70.362.1628.0](#) [70-4210](#) [70-4226B](#) [70-4853B](#) [707-5020](#) [707-5028](#) [71.350.2428.0](#) [71918-208LF](#) [71961-016LF](#) [733-134](#) [733-162](#) [754199-000](#) [760-3052](#) [787-8014-00](#) [79531-3000](#)
[FCN-360C032-B](#) [FCN-367T-T012/H](#) [FCN-723D010/2](#) [80.063.4001.1](#) [800-90-001-10-001000](#) [800-90-010-10-002000](#) [801-43-002-10-013000](#)