

222A163-3-0 ✓ ACTIVE

Raychem

TE Internal #: 813856-000

Heat Shrink Boots, 90 °, Molded Part Shape Code 222A, 3, 10,

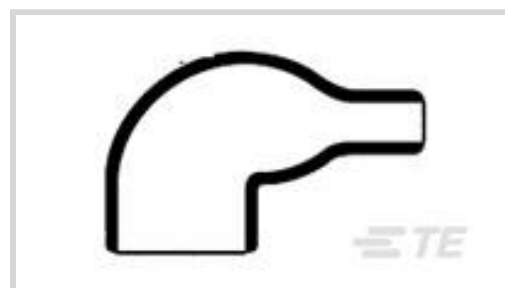
Operating Temperature Range -55 – 135 °C [-67 – 275 °F],

Occasional exposure to fluids

[View on TE.com >](#)



Wire Protection & Management > Heat Shrink Molded Shapes > Heat Shrink Boots > Heat Shrink Boots: Non Lipped, Right Angle



Molded Part Angle: 90 °

Molded Part Shape Code: 222A

Lipped: No

Material Code: 3

Heat Shrink Boot Material Systems Code: 10

[All Heat Shrink Boots: Non Lipped, Right Angle \(136\)](#)

## Features

### Product Type Features

Molded Part Angle	90 °
-------------------	------

### Configuration Features

Lipped	No
--------	----

### Body Features

Material Code	3
---------------	---

Heat Shrink Boot Material Systems Code	10
--	----

Adhesive Pre-Coat	No
-------------------	----

Material	Semi-Rigid Modified Polyolefin
----------	--------------------------------

### Usage Conditions

Operating Temperature Range	-55 – 135 °C[-67 – 275 °F]
-----------------------------	----------------------------

### Other

Molded Part Shape Code	222A
------------------------	------

Fluid & Chemical Resistance	Occasional exposure to fluids
-----------------------------	-------------------------------

Adhesive Type	Adhesive Purchased Separately
---------------	-------------------------------

## Product Compliance

[For compliance documentation, visit the product page on TE.com>](#)



EU RoHS Directive 2011/65/EU	Compliant
EU ELV Directive 2000/53/EC	Compliant
China RoHS 2 Directive MIIT Order No 32, 2016	No Restricted Materials Above Threshold
EU REACH Regulation (EC) No. 1907/2006	Current ECHA Candidate List: JAN 2021 (211) Candidate List Declared Against: JAN 2021 (211) Does not contain REACH SVHC
Halogen Content	Not Low Halogen - contains Br or Cl > 900 ppm.
Solder Process Capability	Not applicable for solder process capability

Product Compliance Disclaimer

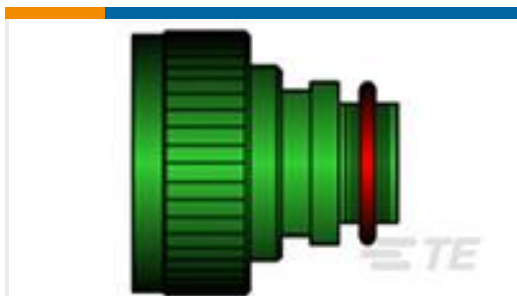
This information is provided based on reasonable inquiry of our suppliers and represents our current actual knowledge based on the information they provided. This information is subject to change. The part numbers that TE has identified as EU RoHS compliant have a maximum concentration of 0.1% by weight in homogenous materials for lead, hexavalent chromium, mercury, PBB, PBDE, DBP, BBP, DEHP, DIBP, and 0.01% for cadmium, or qualify for an exemption to these limits as defined in the Annexes of Directive 2011/65/EU (RoHS2). Finished electrical and electronic equipment products will be CE marked as required by Directive 2011/65/EU. Components may not be CE marked. Additionally, the part numbers that TE has identified as EU ELV compliant have a maximum concentration of 0.1% by weight in homogenous materials for lead, hexavalent chromium, and mercury, and 0.01% for cadmium, or qualify for an exemption to these limits as defined in the Annexes of Directive 2000/53/EC (ELV). Regarding the REACH Regulation, the information TE provides on SVHC in articles for this part number is based on the latest European Chemicals Agency (ECHA) 'Guidance on requirements for substances in articles' posted at this URL: <https://echa.europa.eu/guidance-documents/guidance-on-reach>

## Compatible Parts



TE Part # CJ2087-000  
HL2010E-KIT-120V

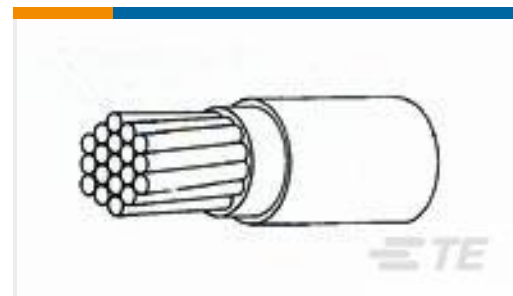
## Customers Also Bought



TE Part #146995-000  
TXR40AB00-1410AI



TE Part #38943-22L  
CONT SOC ASSY



TE Part #282211-003  
81044/12-24-9




TE Part #38943-20L  
CONTACTS (=724-0007-20)



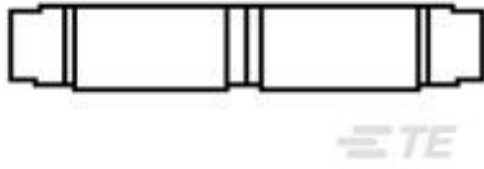
TE Part #282256-004  
81044/12-22-9



TE Part #YDTS26W13-98SNV001  
PLUG ASSY



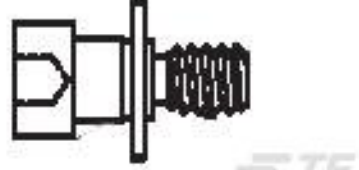
TE Part #5039314011  
DR-25-2-0-SP



TE Part #328569  
SPLC BUTT S.D. S-S T-N 8/12-10



TE Part #270225-000  
B-150-07



TE Part #5-1532137-5  
M83513/05-02, RM, JKS, ALLEN, L PR,  
2-56

## Documents

### Datasheets & Catalog Pages

[Raychem Molded Parts Visual Guide](#)

English

### Product Specifications

[Product Specification](#)

English

### Product Environmental Compliance

[Safety Datasheet](#)

[Safety Datasheet](#)

[Safety Datasheet](#)

English

[Safety Datasheet](#)

French

[Safety Datasheet](#)

German

[Safety Datasheet](#)

[Safety Datasheet](#)

[Safety Datasheet](#)

[Safety Datasheet](#)

## X-ON Electronics

Largest Supplier of Electrical and Electronic Components

*Click to view similar products for [Heat Shrink Cable Boots & End Caps](#) category:*

*Click to view products by [TE Connectivity](#) manufacturer:*

Other Similar products are found below :

[577159N001](#) [645494-000](#) [CX4132-000](#) [687025-000](#) [705331-000](#) [718446-000](#) [725666N001](#) [729257-000](#) [F27131-000](#) [F85868-000](#) [770-003S106W2](#) [806542N001](#) [807507-000](#) [808059-000](#) [808362-000](#) [808618-000](#) [809125-000](#) [809130-000](#) [809218-000](#) [812014-000](#) [812047-000](#) [813166-000](#) [813767N002](#) [814741-000](#) [819117N001](#) [823026-000](#) [823070-000](#) [825002-000](#) [841189N001](#) [861471-000](#) [866647-000](#) [879515-000](#) [937577-000](#) [957073-000](#) [982033-2](#) [A77813-000](#) [R280576000](#) [D96192-000](#) [163549-000](#) [MTPSRBCL-C](#) [1954015-1](#) [200W531-3-0](#) [202A163-4-0-CS5067](#) [202A343-3-00-0](#) [202B221-13-0](#) [202B231-13-0](#) [202B563-25-07-0](#) [202C241-13-0](#) [202D121-4-01/86-0](#) [202D132-4-07/42-0](#)