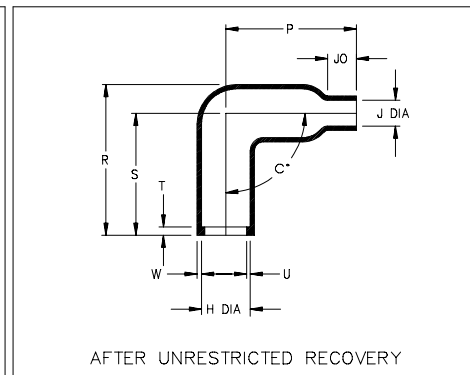
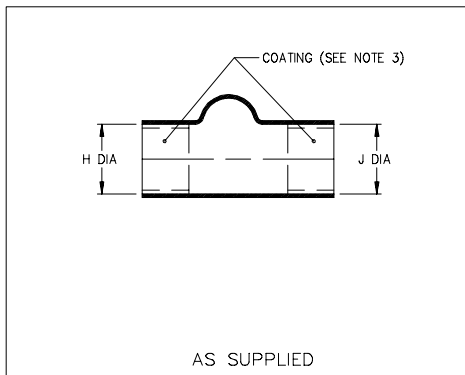


Thermofit[®] Molded Parts Specification Control Drawing

Part Number : 222B112 & 222B123
Description : Boot, 90°, With Lip

NOTES

- All dimensions are in $\frac{\text{inches}}{\text{[millimeters]}}$
- Dimensions appearing in table are as follows:
 - a - As Supplied
 - b - After Unrestricted Recovery
- Coating is optional. As supplied dimensions appearing in table are for uncoated parts. When coating is added, entry diameters will be reduced by .06 max.



PART NUMBER	H		J		P ±10% b	R Ref b	S ±10% b	T ±10% b	U ±10% b	JO ±10% b	W ±20% b	C ±5% b
	Min	Max	Min	Max								
	a	b	a	b								
222B112	1.00 [25,4]	.70 [17,8]	1.00 [25,4]	.37 [9,4]	1.87 [47,5]	1.75 [44,4]	1.24 [31,5]	.12 [3,0]	.05 [1,3]	.42 [10,6]	.06 [1,5]	90°
222B123	1.50 [38,1]	.95 [24,1]	1.50 [38,1]	.49 [12,4]	2.00 [50,8]	1.98 [50,3]	1.60 [40,6]	.12 [3,0]	.05 [1,3]	.42 [10,6]	.06 [1,5]	90°

Raychem

RAYCHEM CORPORATION
300 CONSTITUTION DRIVE
MENLO PARK, CALIFORNIA 94025

Revision : B
Date : 2/2/95

Part Number : 222B112 & 222B123
Description : Boot, 90°, With Lip

Thermofit[®] Molded Parts Specification Control Drawing

Part Number : 222B112 & 222B123
Description : Boot, 90°, With Lip

MATERIAL DASH NO.	MATERIAL DESCRIPTION	RT SPEC	COATING SLASH NO.	COATING S NO.	COATING DESCRIPTION
-3	Polyolefin, Semi-rigid	RT-301	/42	S-1017	Adhesive
-25	Elastomer, Fluid Resistant	RT-1325			

ORDERING INFORMATION				
		222B1XX	-XX	-XX -XX
Base part number				
Material dash number (See Compatability Chart)				
Modification number (If necessary, see front of scd binder for a complete list)				
Adhesive slash number (If necessary, see Compatability Chart)				

THIS DRAWING IS SUBJECT TO CHANGE WITHOUT NOTICE; CONSULT YOUR
NEAREST FIELD REPRESENTATIVE FOR CURRENT REVISION

Raychem

RAYCHEM CORPORATION
300 CONSTITUTION DRIVE
MENLO PARK, CALIFORNIA 94025

Revision : B
Date : 2/2/95

Part Number : 222B112 & 222B123
Description : Boot, 90°, With Lip

X-ON Electronics

Largest Supplier of Electrical and Electronic Components

Click to view similar products for [Cable Boots](#) category:

Click to view products by [TE Connectivity](#) manufacturer:

Other Similar products are found below :

[618235-000](#) [622A014-3-0](#) [CX4132-000](#) [879515-000](#) [982033-2](#) [R280576000](#) [1300830729](#) [EN3BOOTLKIT](#) [MTPSRBCL-C](#) [1811481-1](#)
[200W531-3-0](#) [202A121-386-0](#) [202A142-4-00/42-0](#) [202A163-4-0-CS5067](#) [202B221-13-0](#) [202B231-13-0](#) [202B563-25-07-0](#)
[202C621710CS5361](#) [202D132-4-07/42-0](#) [202D221-4-0-CS5349](#) [202D221-4-26-0](#) [202D263-25-08-0](#) [202D263-4-22/42-0](#) [202D263-4-88-0](#)
[202D921-2542-0](#) [202E336-71-0](#) [202F211-50-22-0-CS8474](#) [202F242-50-05-0](#) [202F242-51-04/164-0](#) [202K121-25-CS-1858-0](#) [202K121-25-](#)
[CS-2062-0](#) [202K132-25-01/225-0CS8387](#) [202K153-3-0186-0](#) [202S132-25-UP-0](#) [203W301-3/42-0](#) [207W613-100/184-0-CS5657](#) [207W623-](#)
[100-01/184-0](#) [207W634-100/184-0-CS5657](#) [207W656-100-01/184-0](#) [207W667-100-01/184-0](#) [207W667-100/184-0](#) [208A011-3-0](#) [208A021-3-](#)
[0](#) [221A011-51164-0-CS7133](#) [222A121-2586](#) [222A152-342-0](#) [222A213-25-0-CS5613](#) [222D221-25-13/86-0](#) [222D232-4-61-0-CS5078](#)
[222D253-100-22-0](#)