

REVISIONS

| P | LTR | DESCRIPTION | DATE | DWN | APVD |
|---|-----|------------------|-----------|-----|------|
| S | | PRODUCTION ISSUE | 25JAN2019 | PNT | MT |

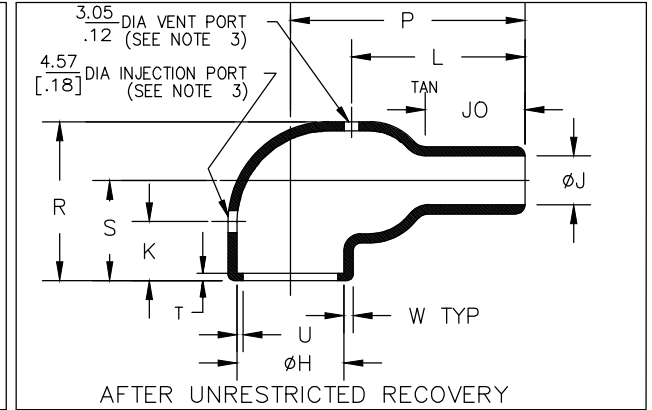
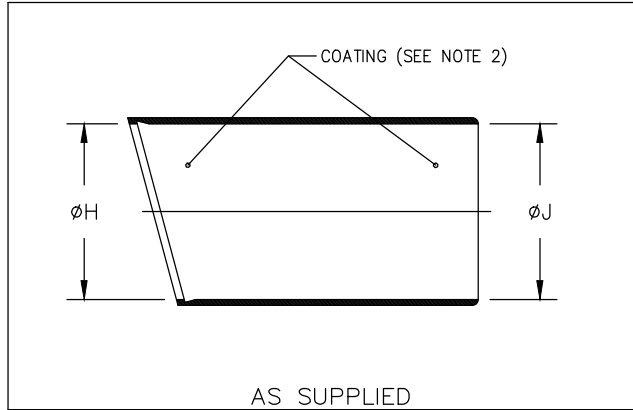


TABLE OF DIMENSIONS

| PART NUMBER | H | | | J | | | | P | R | S | T | U | JO | W | K | L |
|-------------|------------------|----------------|----------------|------------------|-----------------------|-----------------|----------------|-----------------|----------------|----------------|--------------|--------------|----------------|--------------|----------------|----------------|
| | Min -100 a | Min a | Max b | Min -100 a | Min -3,-4,-25 a | Min -12 a | Max b | ±10% b | Ref b | Ref b | Ref b | Ref b | ±10% b | ±20% b | ±10% b | ±10% b |
| 222D121 | 24,0 [.94] | 23,4 [.92] | 10,4 [.41] | 14,0 [.55] | 23,4 [.92] | 12,4 [.49] | 5,6 [.22] | 21,3 [.84] | 22,6 [.89] | 16,5 [.65] | 3,0 [.12] | 1,0 [.04] | 5,8 [.23] | 1,3 [.05] | 15,2 [.60] | 14,7 [.58] |
| 222D132 | 30,0 [1.18] | 28,4 [1.12] | 14,2 [.56] | 15,0 [.59] | 28,4 [1.12] | 14,7 [.58] | 6,6 [.26] | 33,8 [1.33] | 27,2 [1.07] | 19,3 [.76] | 3,0 [.12] | 1,0 [.04] | 15,5 [.65] | 1,5 [.06] | 19,1 [.75] | 24,9 [.98] |
| 222D142 | 31,0 [1.22] | 31,0 [1.22] | 17,8 [.70] | 18,0 [.71] | 31,0 [1.22] | 16,0 [.63] | 7,1 [.28] | 36,6 [1.44] | 31,0 [1.22] | 21,1 [.83] | 3,0 [.12] | 1,0 [.04] | 12,7 [.50] | 1,8 [.07] | 19,1 [.75] | 24,9 [.98] |
| 222D152 | 36,0 [1.42] | 36,0 [1.42] | 22,4 [.88] | 21,0 [.83] | 36,0 [1.42] | 18,5 [.73] | 8,4 [.33] | 43,7 [1.72] | 35,1 [1.38] | 22,9 [.90] | 3,0 [.12] | 1,0 [.04] | 14,5 [.57] | 1,8 [.07] | 19,1 [.75] | 30,0 [1.18] |
| 222D163 | 43,0 [1.69] | 42,7 [1.68] | 28,2 [1.11] | 25,0 [.98] | 42,7 [1.68] | 22,1 [.87] | 9,9 [.39] | 53,6 [2.11] | 43,9 [1.73] | 29,0 [1.14] | 3,0 [.12] | 1,7 [.07] | 17,5 [.69] | 2,0 [.08] | 19,3 [.76] | 33,0 [1.30] |
| 222D174 | 52,0 [2.05] | 51,8 [2.04] | 35,1 [1.38] | 39,0 [1.54] | 51,8 [2.04] | 35,3 [1.39] | 15,7 [.62] | 78,0 [3.07] | 52,8 [2.08] | 33,5 [1.32] | 3,0 [.12] | 1,7 [.07] | 33,5 [1.32] | 3,3 [.13] | 25,4 [1.00] | 53,8 [2.12] |
| 222D185 | 66,0 [2.60] | 66,0 [2.60] | 44,5 [1.75] | 42,0 [1.65] | 66,0 [2.60] | 45,7 [1.80] | 20,3 [.80] | 97,5 [3.84] | 66,0 [2.60] | 41,7 [1.64] | 3,0 [.12] | 2,0 [.08] | 40,1 [1.58] | 3,8 [.15] | 25,4 [1.00] | 71,1 [2.80] |
| 222D196 | 81,8 [3.22] | 81,8 [3.22] | 60,5 [2.38] | 57,2 [2.25] | 81,8 [3.22] | 57,2 [2.25] | 25,4 [1.00] | 117,9 [4.64] | 83,8 [3.30] | 51,6 [2.03] | 3,0 [.12] | 2,0 [.08] | 38,1 [1.50] | 4,1 [.16] | 25,4 [1.00] | 80,0 [3.15] |

THIS DRAWING IS UNPUBLISHED.

ALL RIGHTS RESERVED.

TE Connectivity Ltd.

DIMENSIONS:

mm [INCHES]

DWN 25JAN2019

PRAVEEN N T

CHK 25JAN2019

N NAGAR

APVD 25JAN2019

M TAYLOR

PRODUCT SPEC

APPLICATION SPEC

WEIGHT

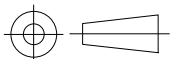
MATERIAL

SEE SHEET 2

FINISH

TOLERANCES UNLESS OTHERWISE SPECIFIED:

- 0 PLC ± -
- 1 PLC ± -
- 2 PLC ± -
- 3 PLC ± -
- 4 PLC ± -
- ANGLES ± -



TE Connectivity Ltd.

NAME

BOOT, 90 DEGREE,
WITH LIP

SIZE

CAGE CODE

DRAWING NO

RESTRICTED TO

A4

00779



222D121-XX-0THRU196-XX-0

CUSTOMER DRAWING

SCALE

DNS

SHEET

1 OF 2

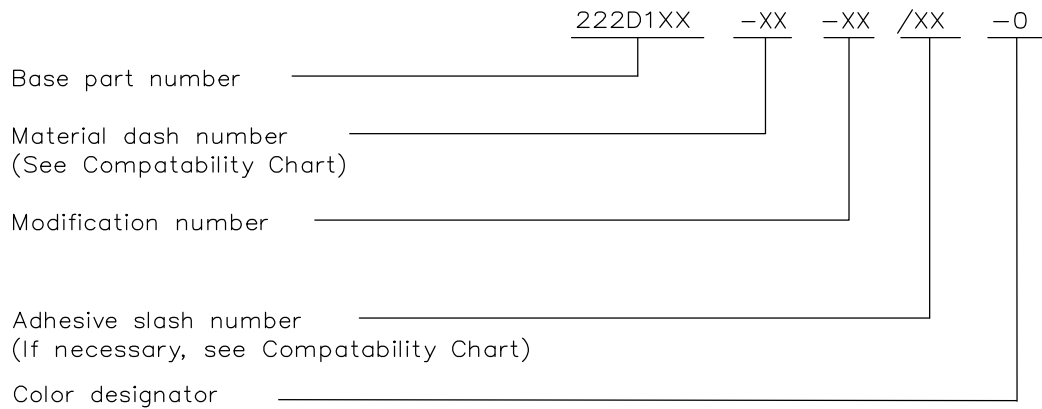
REV

S

| REVISIONS | | | | | |
|-----------|-----|-------------|------|-----|------|
| P | LTR | DESCRIPTION | DATE | DWN | APVD |
| | - | SEE SHEET 1 | - | - | - |

| COMPATABILITY CHART | | | | |
|---------------------|--------------------------------------|---------|-------------------|-------------------|
| MATERIAL DASH NO. | MATERIAL DESCRIPTION | RT SPEC | COATING SLASH NO. | COATING S NO. |
| -3 | Polyolefin, Semi-rigid | RT-301 | /42;/86;/180 | S1017;S1048;S1030 |
| -4 | Polyolefin, Flexible | RT-1304 | /42;/86;/180 | S1017;S1048;S1030 |
| -12 | Fluoroelastomer, Flexible | RT-1312 | N/A | N/A |
| -25 | Elastomer, Fluid Resistant | RW-2070 | /42;/86;/225 | S1017;S1048;S1206 |
| -100 | Polyolefin, Semi-flexible ZEROHAL | RW-2082 | /86;/180 | S1048;S1030 |

ORDERING INFORMATION



NOTES

- Dimensions appearing in table are as follows:
 - a - As Supplied
 - b - After Unrestricted Recovery
- Coating is optional. As supplied dimensions appearing in table are for uncoated parts. When coating is added, entry diameters will be reduced by 1.5mm[.06] max.
- Molding ports are optional. When -00 modification number is specified molding ports will be located as shown.
- 8 material is not available on 222D185 and 222D196.

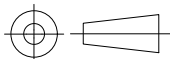
- , 25JAN2019

RELEASED FOR PUBLICATION

ALL RIGHTS RESERVED.

© COPYRIGHT - TE Connectivity Ltd.

| | | | | | | |
|--|-----------------------|-----------|----------------------|--------------------|--------------------------------------|----------|
| DIMENSIONS: mm [INCHES] | DWN PRAVEEN N T | 25JAN2019 | MATERIAL - | FINISH - | | |
| | CHK N NAGAR | 25JAN2019 | TE Connectivity Ltd. | | | |
| TOLERANCES UNLESS OTHERWISE SPECIFIED: | APVD M TAYLOR | 25JAN2019 | | | NAME BOOT, 90 DEGREE, WITH LIP | |
| | PRODUCT SPEC - | | SIZE A4 | CAGE CODE 00779 | | |
| 0 PLC ± - | APPLICATION SPEC - | | SCALE DNS | | SHEET 2 OF 2 | REV S |
| 1 PLC ± - | WEIGHT | | CUSTOMER DRAWING | | | |
| 2 PLC ± - | | | | | | |
| 3 PLC ± - | | | | | | |
| 4 PLC ± - | | | | | | |
| ANGLES ± - | | | | | | |



X-ON Electronics

Largest Supplier of Electrical and Electronic Components

Click to view similar products for [Heat Shrink Cable Boots & End Caps](#) category:

Click to view products by [TE Connectivity](#) manufacturer:

Other Similar products are found below :

[577159N001](#) [645494-000](#) [CX4132-000](#) [687025-000](#) [705331-000](#) [718446-000](#) [725666N001](#) [729257-000](#) [F27131-000](#) [F85868-000](#) [770-003S106W2](#) [770-013210W1](#) [770-013311](#) [770-013312](#) [806542N001](#) [807507-000](#) [808362-000](#) [808618-000](#) [809125-000](#) [809130-000](#) [809218-000](#) [812014-000](#) [812047-000](#) [813166-000](#) [813767N002](#) [814741-000](#) [819117N001](#) [823026-000](#) [823070-000](#) [841189N001](#) [861471-000](#) [866647-000](#) [879515-000](#) [937577-000](#) [957073-000](#) [982033-2](#) [A77813-000](#) [R280576000](#) [D96192-000](#) [163549-000](#) [EN3BOOTLKIT](#) [MTPSRBCL-C](#) [1954015-1](#) [200W531-3-0](#) [202A163-4-0-CS5067](#) [202A343-3-00-0](#) [202B221-13-0](#) [202B231-13-0](#) [202B563-25-07-0](#) [202C241-13-0](#)