

REVISIONS

P	LTR	DESCRIPTION	DATE	DWN	APVD
S		PRODUCTION ISSUE	25JAN2019	PNT	MT

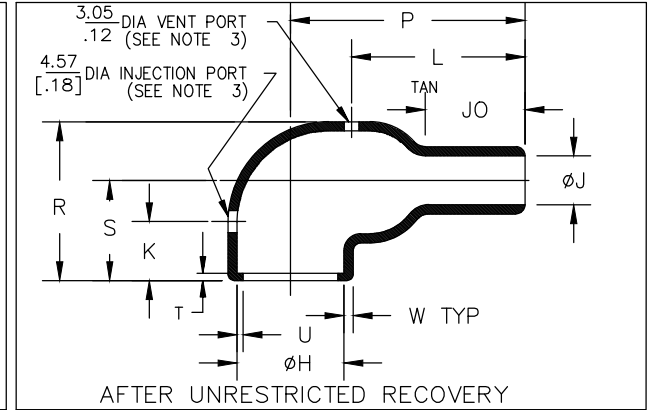
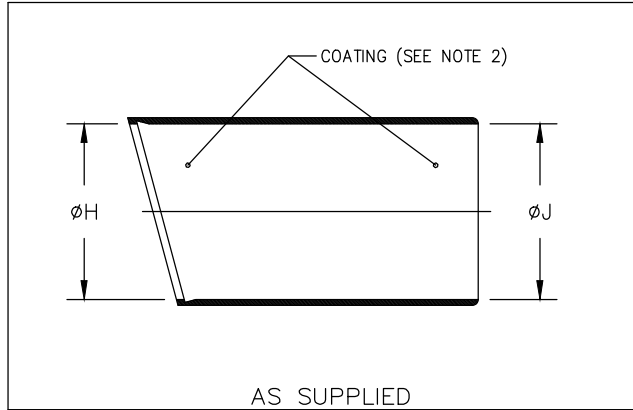


TABLE OF DIMENSIONS

PART NUMBER	H			J				P	R	S	T	U	JO	W	K	L
	Min -100 a	Min a	Max b	Min -100 a	Min -3,-4,-25 a	Min -12 a	Max b	±10% b	Ref b	Ref b	Ref b	Ref b	±10% b	±20% b	±10% b	±10% b
222D121	24,0 [.94]	23,4 [.92]	10,4 [.41]	14,0 [.55]	23,4 [.92]	12,4 [.49]	5,6 [.22]	21,3 [.84]	22,6 [.89]	16,5 [.65]	3,0 [.12]	1,0 [.04]	5,8 [.23]	1,3 [.05]	15,2 [.60]	14,7 [.58]
222D132	30,0 [1.18]	28,4 [1.12]	14,2 [.56]	15,0 [.59]	28,4 [1.12]	14,7 [.58]	6,6 [.26]	33,8 [1.33]	27,2 [1.07]	19,3 [.76]	3,0 [.12]	1,0 [.04]	15,5 [.65]	1,5 [.06]	19,1 [.75]	24,9 [.98]
222D142	31,0 [1.22]	31,0 [1.22]	17,8 [.70]	18,0 [.71]	31,0 [1.22]	16,0 [.63]	7,1 [.28]	36,6 [1.44]	31,0 [1.22]	21,1 [.83]	3,0 [.12]	1,0 [.04]	12,7 [.50]	1,8 [.07]	19,1 [.75]	24,9 [.98]
222D152	36,0 [1.42]	36,0 [1.42]	22,4 [.88]	21,0 [.83]	36,0 [1.42]	18,5 [.73]	8,4 [.33]	43,7 [1.72]	35,1 [1.38]	22,9 [.90]	3,0 [.12]	1,0 [.04]	14,5 [.57]	1,8 [.07]	19,1 [.75]	30,0 [1.18]
222D163	43,0 [1.69]	42,7 [1.68]	28,2 [1.11]	25,0 [.98]	42,7 [1.68]	22,1 [.87]	9,9 [.39]	53,6 [2.11]	43,9 [1.73]	29,0 [1.14]	3,0 [.12]	1,7 [.07]	17,5 [.69]	2,0 [.08]	19,3 [.76]	33,0 [1.30]
222D174	52,0 [2.05]	51,8 [2.04]	35,1 [1.38]	39,0 [1.54]	51,8 [2.04]	35,3 [1.39]	15,7 [.62]	78,0 [3.07]	52,8 [2.08]	33,5 [1.32]	3,0 [.12]	1,7 [.07]	33,5 [1.32]	3,3 [.13]	25,4 [1.00]	53,8 [2.12]
222D185	66,0 [2.60]	66,0 [2.60]	44,5 [1.75]	42,0 [1.65]	66,0 [2.60]	45,7 [1.80]	20,3 [.80]	97,5 [3.84]	66,0 [2.60]	41,7 [1.64]	3,0 [.12]	2,0 [.08]	40,1 [1.58]	3,8 [.15]	25,4 [1.00]	71,1 [2.80]
222D196	81,8 [3.22]	81,8 [3.22]	60,5 [2.38]	57,2 [2.25]	81,8 [3.22]	57,2 [2.25]	25,4 [1.00]	117,9 [4.64]	83,8 [3.30]	51,6 [2.03]	3,0 [.12]	2,0 [.08]	38,1 [1.50]	4,1 [.16]	25,4 [1.00]	80,0 [3.15]

THIS DRAWING IS UNPUBLISHED.

ALL RIGHTS RESERVED.

TE Connectivity Ltd.

DIMENSIONS:

mm [INCHES]

DWN 25JAN2019

PRAVEEN N T

CHK 25JAN2019

N NAGAR

APVD 25JAN2019

M TAYLOR

PRODUCT SPEC

APPLICATION SPEC

WEIGHT

MATERIAL

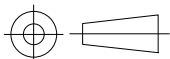
SEE SHEET 2

FINISH

—

TOLERANCES UNLESS OTHERWISE SPECIFIED:

- 0 PLC ± -
- 1 PLC ± -
- 2 PLC ± -
- 3 PLC ± -
- 4 PLC ± -
- ANGLES ± -



NAME

BOOT, 90 DEGREE,  
WITH LIP

SIZE

CAGE CODE

DRAWING NO

RESTRICTED TO

A4

00779

C

222D121-XX-0THRU196-XX-0

—

CUSTOMER DRAWING

SCALE

DNS

SHEET

1 OF 2

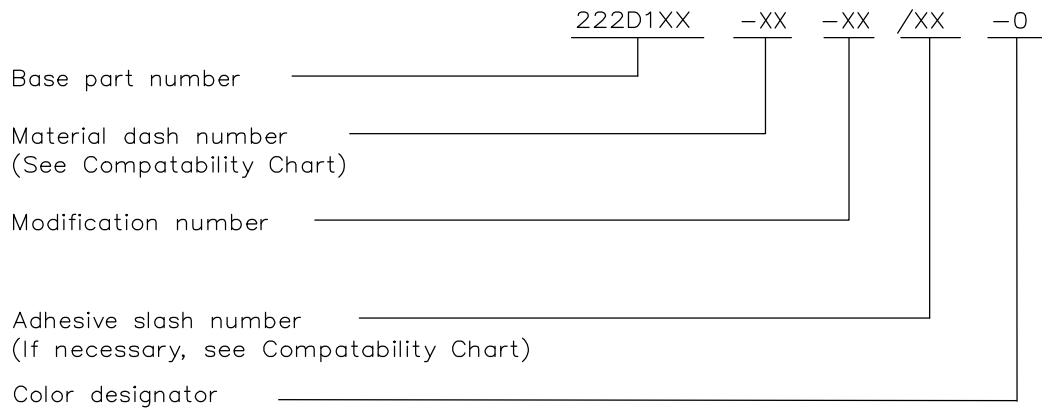
REV

S

REVISIONS					
P	LTR	DESCRIPTION	DATE	DWN	APVD
	-	SEE SHEET 1	-	-	-

COMPATABILITY CHART				
MATERIAL DASH NO.	MATERIAL DESCRIPTION	RT SPEC	COATING SLASH NO.	COATING S NO.
-3	Polyolefin, Semi-rigid	RT-301	/42;/86;/180	S1017;S1048;S1030
-4	Polyolefin, Flexible	RT-1304	/42;/86;/180	S1017;S1048;S1030
-12	Fluoroelastomer, Flexible	RT-1312	N/A	N/A
-25	Elastomer, Fluid Resistant	RW-2070	/42;/86;/225	S1017;S1048;S1206
-100	Polyolefin, Semi-flexible ZEROHAL	RW-2082	/86;/180	S1048;S1030

ORDERING INFORMATION



NOTES


- Dimensions appearing in table are as follows:
  - a - As Supplied
  - b - After Unrestricted Recovery
- Coating is optional. As supplied dimensions appearing in table are for uncoated parts. When coating is added, entry diameters will be reduced by 1.5mm[.06] max.
- Molding ports are optional. When -00 modification number is specified molding ports will be located as shown.
- 8 material is not available on 222D185 and 222D196.

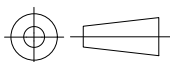
RELEASED FOR PUBLICATION - , 25JAN2019

ALL RIGHTS RESERVED.

© COPYRIGHT - TE Connectivity Ltd.

THIS DRAWING IS UNPUBLISHED.

DIMENSIONS: mm [INCHES]	DWN PRAVEEN N T 25JAN2019	MATERIAL -	FINISH -		
	CHK N NAGAR 25JAN2019	 TE Connectivity Ltd.			
TOLERANCES UNLESS OTHERWISE SPECIFIED:	APVD M TAYLOR 25JAN2019			NAME BOOT, 90 DEGREE, WITH LIP	
0 PLC ± -	PRODUCT SPEC -	SIZE A4	CAGE CODE 00779	DRAWING NO G- 222D121-XX-0THRU196-XX-0	RESTRICTED TO -
1 PLC ± -	APPLICATION SPEC -	WEIGHT			
2 PLC ± -		CUSTOMER DRAWING			
3 PLC ± -		SCALE DNS	SHEET 2	OF 2	REV S
4 PLC ± -					
ANGLES ± -					



## X-ON Electronics

Largest Supplier of Electrical and Electronic Components

*Click to view similar products for [Heat Shrink Cable Boots & End Caps](#) category:*

*Click to view products by [TE Connectivity](#) manufacturer:*

Other Similar products are found below :

[577159N001](#) [645494-000](#) [CX4132-000](#) [687025-000](#) [705331-000](#) [718446-000](#) [725666N001](#) [729257-000](#) [F27131-000](#) [F85868-000](#) [770-003S106W2](#) [770-013210W1](#) [770-013311](#) [770-013312](#) [806542N001](#) [807507-000](#) [808362-000](#) [808618-000](#) [809125-000](#) [809130-000](#) [809218-000](#) [812014-000](#) [812047-000](#) [813166-000](#) [813767N002](#) [814741-000](#) [819117N001](#) [823026-000](#) [823070-000](#) [841189N001](#) [861471-000](#) [866647-000](#) [879515-000](#) [937577-000](#) [957073-000](#) [982033-2](#) [A77813-000](#) [R280576000](#) [D96192-000](#) [163549-000](#) [EN3BOOTLKIT](#) [MTPSRBCL-C](#) [1954015-1](#) [200W531-3-0](#) [202A163-4-0-CS5067](#) [202A343-3-00-0](#) [202B221-13-0](#) [202B231-13-0](#) [202B563-25-07-0](#) [202C241-13-0](#)