



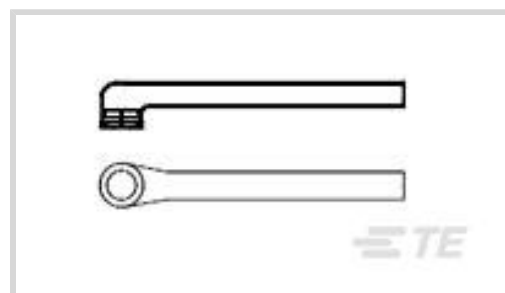
Raychem

TE Internal #: 123329-000

Heat Shrink Boots, 90 °, Molded Part Shape Code 222, Lipped, 25, 25, Adhesive Pre-Coat, Operating Temperature Range -75 – 150 °C [-103 – 302 °F]

[View on TE.com >](#)

Wire Protection & Management > Heat Shrink Molded Shapes > Heat Shrink Boots > Low Profile Heat Shrink Boots: Poly Mold, Lipped, Right Angle



Molded Part Angle: 90 °

Molded Part Shape Code: 222

Lipped: Yes

Material Code: 25

Heat Shrink Boot Material Systems Code: 25

[All Low Profile Heat Shrink Boots: Poly Mold, Lipped, Right Angle \(103\)](#)

## Features

### Product Type Features

|                   |      |
|-------------------|------|
| Molded Part Angle | 90 ° |
|-------------------|------|

### Configuration Features

|        |     |
|--------|-----|
| Lipped | Yes |
|--------|-----|

### Body Features

|  |                                    |
|--|------------------------------------|
| Material Code                          | 25                                 |
| Heat Shrink Boot Material Systems Code | 25                                 |
| Adhesive Pre-Coat                      | Yes                                |
| Material                               | Fluid Resistant Modified Elastomer |

### Dimensions

|                             |  |
|-----------------------------|--|
| Wire/Cable Outside Diameter | .276 in, .3 in, .31 in, .35 in, .39 in, .43 in, .433 in, .47 in, 10 mm, 11 mm, 12 mm, 7 mm, 8 mm, 9 mm |
|-----------------------------|--|

|                      |                          |
|----------------------|--------------------------|
| Cable Diameter Range | 6.4 – 14 mm[6.4 – 15 in] |
|----------------------|--------------------------|

### Usage Conditions

|                             |                             |
|-----------------------------|-----------------------------|
| Operating Temperature Range | -75 – 150 °C[-103 – 302 °F] |
|-----------------------------|-----------------------------|

### Operation/Application

|                       |    |
|-----------------------|----|
| Power Cable Accessory | No |
|-----------------------|----|



### Industry Standards

|                      |  |
|----------------------|--|
| Approved Standards   | BS-G-198-5-DE, DEF Std 59-97 Issue 3 Type DE, IEC 62329-3-102, MIS-34867 |
| Government Qualified | No   |

### Other

|                             |   |
|-----------------------------|---|
| Molded Part Shape Code      | 222   |
| Fluid & Chemical Resistance | Long-Term Fluid Exposure at High Temperatures |
| Adhesive Options            | /225 Precoat                                  |

### Product Compliance

[For compliance documentation, visit the product page on TE.com>](#)

|   |   |
|---|---|
| EU RoHS Directive 2011/65/EU                  | Compliant   |
| EU ELV Directive 2000/53/EC                   | Compliant   |
| China RoHS 2 Directive MIIT Order No 32, 2016 | No Restricted Materials Above Threshold   |
| EU REACH Regulation (EC) No. 1907/2006        | Current ECHA Candidate List: JUL 2021 (219)<br>Candidate List Declared Against: JUL 2021 (219)<br>Does not contain REACH SVHC |
| Halogen Content                               | Not Low Halogen - contains Br or Cl > 900 ppm.  |
| Solder Process Capability                     | Not applicable for solder process capability  |

#### Product Compliance Disclaimer

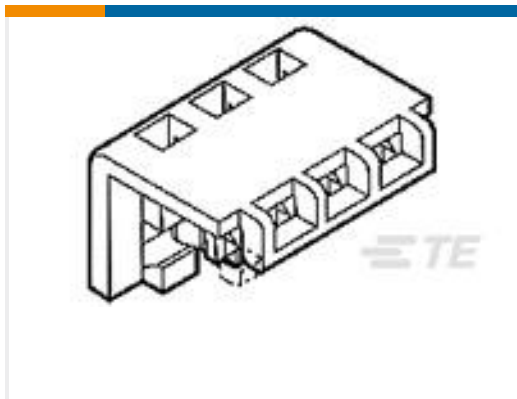
This information is provided based on reasonable inquiry of our suppliers and represents our current actual knowledge based on the information they provided. This information is subject to change. The part numbers that TE has identified as EU RoHS compliant have a maximum concentration of 0.1% by weight in homogenous materials for lead, hexavalent chromium, mercury, PBB, PBDE, DBP, BBP, DEHP, DIBP, and 0.01% for cadmium, or qualify for an exemption to these limits as defined in the Annexes of Directive 2011/65/EU (RoHS2). Finished electrical and electronic equipment products will be CE marked as required by Directive 2011/65/EU. Components may not be CE marked. Additionally, the part numbers that TE has identified as EU ELV compliant have a maximum concentration of 0.1% by weight in homogenous materials for lead, hexavalent chromium, and mercury, and 0.01% for cadmium, or qualify for an exemption to these limits as defined in the Annexes of Directive 2000/53/EC (ELV). Regarding the REACH Regulation, the information TE provides on SVHC in articles for this part number is based on the latest European Chemicals Agency (ECHA) 'Guidance on requirements for substances in articles' posted at this URL: <https://echa.europa.eu/guidance-documents/guidance-on-reach>

### Compatible Parts



TE Part # CJ2087-000  
HL2010E-KIT-120V

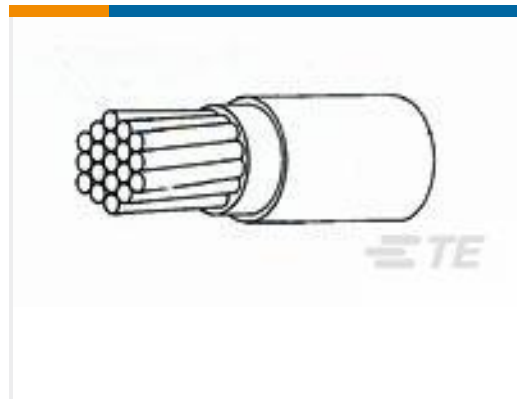
### Customers Also Bought



TE Part #643067-2  
02P MTA156 MOLDED COVER



TE Part #285752-009  
44A0111-26-2-US



TE Part #285750-010  
44A0111-26-0-US



TE Part #YDTS20W13-35SNV001  
RECP ASSY



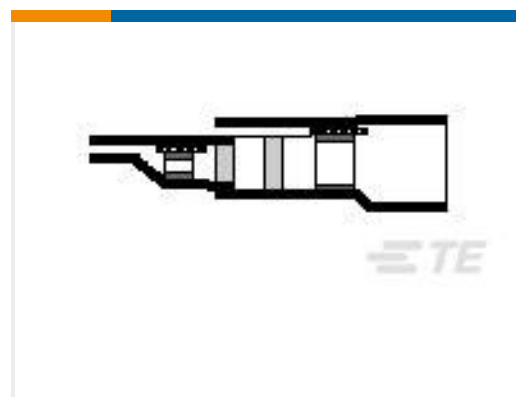
TE Part #YDTS26W09-35SAV001  
PLUG ASSY



TE Part #6162-217-1277  
COAX SOC ASSY



TE Part #6162-233-1277  
COAX PIN ASSY



TE Part #120411-000  
B-040-24-N



TE Part #8-34150-1  
PG R 22-16 COMM 22-18 MIL 1/4



TE Part #2335893-5  
AMPLIMITE SZ 5 RECP 78 POS, ST  
STL SHEL

### Documents

#### Product Drawings

[222D211-25/225-0](#)

English

#### Datasheets & Catalog Pages

[1654025\\_Sec4\\_-25](#)

English

#### Raychem Molded Parts Visual Guide

English



---

**Product Specifications**

[Product Specification](#)

English

---

**Product Environmental Compliance**

[Safety Datasheet](#)

[Safety Datasheet](#)

[Safety Datasheet](#)

English

[Safety Datasheet](#)

French

[Safety Datasheet](#)

German

[Safety Datasheet](#)

[Safety Datasheet](#)

[Safety Datasheet](#)

[Safety Datasheet](#)

[Safety Datasheet](#)

[Safety Datasheet](#)

English

[Safety Datasheet](#)

French

[Safety Datasheet](#)

German

[Safety Datasheet](#)

[Safety Datasheet](#)

[Safety Datasheet](#)

[Safety Datasheet](#)

## X-ON Electronics

Largest Supplier of Electrical and Electronic Components

*Click to view similar products for [Heat Shrink Cable Boots & End Caps](#) category:*

*Click to view products by [TE Connectivity](#) manufacturer:*

Other Similar products are found below :

[577159N001](#) [645494-000](#) [CX4132-000](#) [687025-000](#) [705331-000](#) [718446-000](#) [725666N001](#) [729257-000](#) [F27131-000](#) [F85868-000](#) [770-003S106W2](#) [770-013210W1](#) [770-013311](#) [770-013312](#) [806542N001](#) [807507-000](#) [808362-000](#) [808618-000](#) [809125-000](#) [809130-000](#) [809218-000](#) [812014-000](#) [812047-000](#) [813166-000](#) [813767N002](#) [814741-000](#) [819117N001](#) [823026-000](#) [823070-000](#) [841189N001](#) [861471-000](#) [866647-000](#) [879515-000](#) [937577-000](#) [957073-000](#) [982033-2](#) [A77813-000](#) [R280576000](#) [D96192-000](#) [163549-000](#) [EN3BOOTLKIT](#) [MTPSRBCL-C](#) [1954015-1](#) [200W531-3-0](#) [202A163-4-0-CS5067](#) [202A343-3-00-0](#) [202B221-13-0](#) [202B231-13-0](#) [202B563-25-07-0](#) [202C241-13-0](#)