

222D242-3-0 ✓ ACTIVE

Raychem

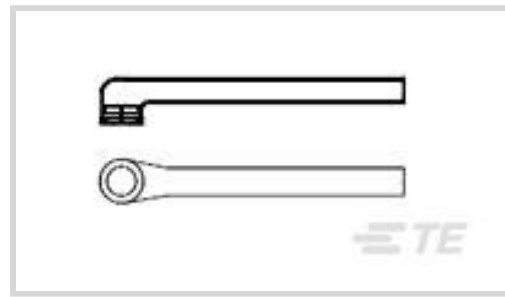
TE Internal #: 808286-000

Heat Shrink Boots, 90 °, Molded Part Shape Code 222, Lipped, 3,
10, Operating Temperature Range -55 – 135 °C [-67 – 275 °F]

[View on TE.com >](#)



Wire Protection & Management > Heat Shrink Molded Shapes > Heat Shrink Boots > Low Profile Heat Shrink Boots: Poly Mold, Lipped, Right Angle



Molded Part Angle: **90 °**

Molded Part Shape Code: **222**

Lipped: **Yes**

Material Code: **3**

Heat Shrink Boot Material Systems Code: **10**

[All Low Profile Heat Shrink Boots: Poly Mold, Lipped, Right Angle \(103\)](#)

Features

Product Type Features

| | |
|-------------------|------|
| Molded Part Angle | 90 ° |
|-------------------|------|

Configuration Features

| | |
|--------|-----|
| Lipped | Yes |
|--------|-----|

Body Features

| | |
|---------------|---|
| Material Code | 3 |
|---------------|---|

| | |
|--|----|
| Heat Shrink Boot Material Systems Code | 10 |
|--|----|

| | |
|-------------------|----|
| Adhesive Pre-Coat | No |
|-------------------|----|

| | |
|----------|--------------------------------|
| Material | Semi-Rigid Modified Polyolefin |
|----------|--------------------------------|

Dimensions

| | |
|-----------------------------|---|
| Wire/Cable Outside Diameter | .43 in, .433 in, .47 in, .55 in, .63 in, .7 in, .71 in, 11 mm, 12 mm, 14 mm, 16 mm, 18 mm |
|-----------------------------|---|

| | |
|----------------------|--------------------------------|
| Cable Diameter Range | 9.7 – 21.3 mm [.382 – .839 in] |
|----------------------|--------------------------------|

Usage Conditions

| | |
|-----------------------------|-----------------------------|
| Operating Temperature Range | -55 – 135 °C [-67 – 275 °F] |
|-----------------------------|-----------------------------|

Operation/Application

| | |
|-----------------------|----|
| Power Cable Accessory | No |
|-----------------------|----|

Industry Standards



| | |
|----------------------|---|
| Approved Standards | BS-G-198-5-DA, DEF Std 59-97 Issue 3 Type DA, SAE AS I 81765/1, Type I, UL 224, File E85381 |
| Government Qualified | No |

Other

| | |
|-----------------------------|-------------------------------|
| Molded Part Shape Code | 222 |
| Fluid & Chemical Resistance | Occasional exposure to fluids |
| Adhesive Options | /42 Precoat |
| Adhesive Type | Adhesive Purchased Separately |

Product Compliance

[For compliance documentation, visit the product page on TE.com>](#)

| | |
|---|---|
| EU RoHS Directive 2011/65/EU | Compliant |
| EU ELV Directive 2000/53/EC | Compliant |
| China RoHS 2 Directive MIIT Order No 32, 2016 | No Restricted Materials Above Threshold |
| EU REACH Regulation (EC) No. 1907/2006 | Current ECHA Candidate List: JAN 2021 (211) Candidate List Declared Against: JAN 2021 (211) Does not contain REACH SVHC |
| Halogen Content | Not Low Halogen - contains Br or Cl > 900 ppm. |
| Solder Process Capability | Not applicable for solder process capability |

Product Compliance Disclaimer

This information is provided based on reasonable inquiry of our suppliers and represents our current actual knowledge based on the information they provided. This information is subject to change. The part numbers that TE has identified as EU RoHS compliant have a maximum concentration of 0.1% by weight in homogenous materials for lead, hexavalent chromium, mercury, PBB, PBDE, DBP, BBP, DEHP, DIBP, and 0.01% for cadmium, or qualify for an exemption to these limits as defined in the Annexes of Directive 2011/65/EU (RoHS2). Finished electrical and electronic equipment products will be CE marked as required by Directive 2011/65/EU. Components may not be CE marked. Additionally, the part numbers that TE has identified as EU ELV compliant have a maximum concentration of 0.1% by weight in homogenous materials for lead, hexavalent chromium, and mercury, and 0.01% for cadmium, or qualify for an exemption to these limits as defined in the Annexes of Directive 2000/53/EC (ELV). Regarding the REACH Regulation, the information TE provides on SVHC in articles for this part number is based on the latest European Chemicals Agency (ECHA) 'Guidance on requirements for substances in articles' posted at this URL: <https://echa.europa.eu/guidance-documents/guidance-on-reach>

Compatible Parts



TE Part # 890060-000
S1017-1.0X50



TE Part # CJ2087-000
HL2010E-KIT-120V

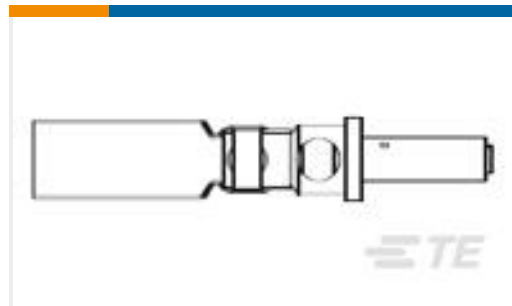
Customers Also Bought



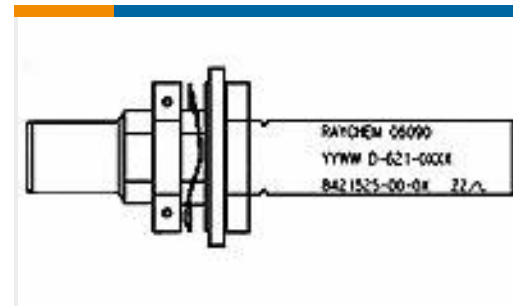
TE Part #327638
SPLICE BUTT PIDG 12-10/16-14



TE Part #YDTS26T21-16SNV001
PLUG ASSY



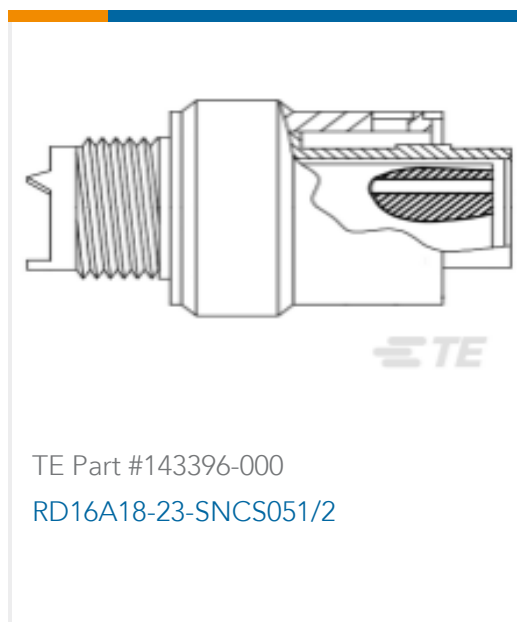
TE Part #126628-000
D-602-0173



TE Part #539499-000
D-621-0028



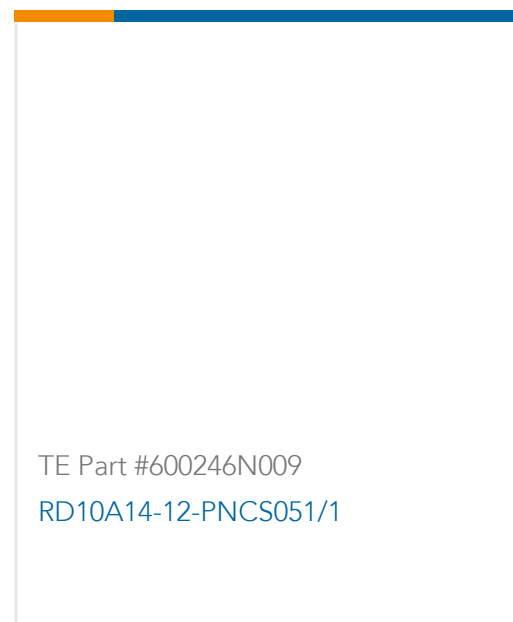
TE Part #600420N009
RD16A12-08-SNCS051/2



TE Part #143396-000
RD16A18-23-SNCS051/2



TE Part #539255-000
RD10A14-12-P10CS051/1



TE Part #600246N009
RD10A14-12-PNCS051/1



TE Part #600431N002
RD16A14-12-S10CS051/2

Documents

Product Drawings

[222D242-3-0](#)

English

Datasheets & Catalog Pages

[1654025_Sec4_-3](#)

English

[Raychem Molded Parts Visual Guide](#)

English



Product Specifications

[Product Specification](#)

English

Product Environmental Compliance

[Safety Datasheet](#)

[Safety Datasheet](#)

[Safety Datasheet](#)

English

[Safety Datasheet](#)

French

[Safety Datasheet](#)

German

[Safety Datasheet](#)

[Safety Datasheet](#)

[Safety Datasheet](#)

[Safety Datasheet](#)

X-ON Electronics

Largest Supplier of Electrical and Electronic Components

Click to view similar products for [Heat Shrink Cable Boots & End Caps](#) category:

Click to view products by [TE Connectivity](#) manufacturer:

Other Similar products are found below :

[577159N001](#) [645494-000](#) [CX4132-000](#) [687025-000](#) [705331-000](#) [718446-000](#) [725666N001](#) [729257-000](#) [F27131-000](#) [F85868-000](#) [770-003S106W2](#) [806542N001](#) [807507-000](#) [808059-000](#) [808362-000](#) [808618-000](#) [809125-000](#) [809130-000](#) [809218-000](#) [812014-000](#) [812047-000](#) [813166-000](#) [813767N002](#) [814741-000](#) [819117N001](#) [823026-000](#) [823070-000](#) [825002-000](#) [841189N001](#) [861471-000](#) [866647-000](#) [879515-000](#) [937577-000](#) [957073-000](#) [982033-2](#) [A77813-000](#) [R280576000](#) [D96192-000](#) [163549-000](#) [MTPSRBCL-C](#) [1954015-1](#) [200W531-3-0](#) [202A163-4-0-CS5067](#) [202A343-3-00-0](#) [202B221-13-0](#) [202B231-13-0](#) [202B563-25-07-0](#) [202C241-13-0](#) [202D121-4-01/86-0](#) [202D132-4-07/42-0](#)