

# Thermofit<sup>®</sup> Molded Parts Specification Control Drawing

Part Number : 222D921 thru 963  
Description : Boot, 90°, With Lip

## NOTES

- All dimensions are in  $\frac{\text{inches}}{\text{[millimeters]}}$
- Dimensions appearing in table are as follows:
  - a - As Supplied
  - b - After Unrestricted Recovery
- Coating is optional. As supplied dimensions appearing in table are for uncoated parts. When coating is added, entry diameters will be reduced by .06 max.
- Molding ports are optional. When -00 modification number is specified molding ports will be located as shown.

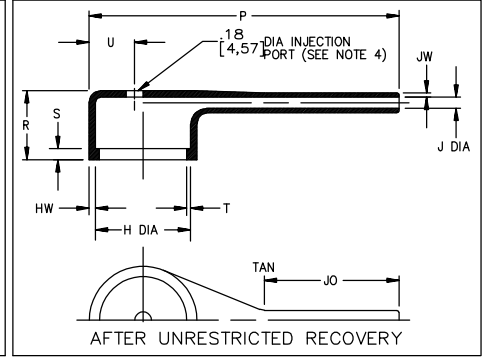
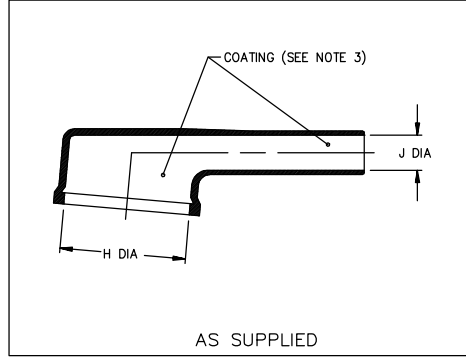


TABLE OF DIMENSIONS

PART NUMBER	H		J			P ±10%	R Ref	S Ref	T Ref	U ±10%	JO ±10%	HW ±20%	JW ±20%
	Min a	Max b	Min -1, -4, -8, -25 a	Min -1, -12, -100 a	Max b								
222D921	.76 [19,3]	.51 [13,0]	.25 [6,3]	.18 [4,5]	.08 [2,1]	1.75 [44,5]	.64 [16,3]	.12 [3,05]	.04 [1,02]	.22 [5,6]	.86 [21,8]	.06 [1,52]	.045 [1,14]
222D932	1.03 [26,1]	.75 [19,1]	.30 [7,6]	.22 [5,6]	.10 [2,6]	2.65 [67,3]	.71 [18,0]	.12 [3,05]	.04 [1,02]	.33 [8,4]	1.15 [29,2]	.07 [1,78]	.045 [1,14]
222D953	1.35 [34,2]	1.02 [26,0]	.38 [9,6]	.26 [6,6]	.12 [3,0]	3.20 [81,3]	.74 [18,8]	.12 [3,05]	.04 [1,02]	.45 [11,4]	1.39 [36,3]	.07 [1,78]	.045 [1,14]
222D963	1.72 [43,6]	1.34 [34,1]	.45 [11,4]	.31 [7,8]	.14 [3,6]	4.55 [115,6]	.84 [21,3]	.12 [3,05]	.065 [1,65]	.61 [15,5]	1.85 [47,0]	.07 [1,78]	.045 [1,14]

IF THIS DOCUMENT IS PRINTED IT BECOMES UNCONTROLLED.  
CHECK FOR THE LATEST REVISION.

**STE Raychem**  
TE Connectivity  
TE CONNECTIVITY  
300 CONSTITUTION DRIVE  
MENLO PARK, CALIFORNIA 94025

Revision : H1  
Date : 20APR11

Part Number : 222D921 thru 963  
Description : Boot, 90°, With Lip

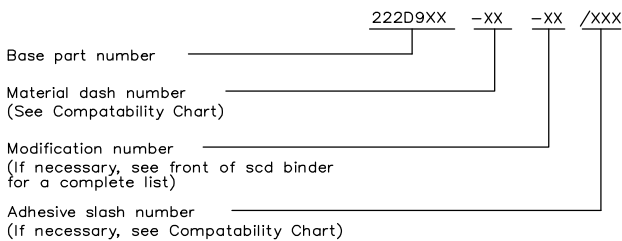
# Thermofit<sup>®</sup> Molded Parts Specification Control Drawing

Part Number : 222D921 thru 963  
Description : Boot, 90°, With Lip

MATERIAL DASH NO.	MATERIAL DESCRIPTION	RT SPEC	COATING SLASH NO.	COATING S NO.	COATING DESCRIPTION
-3	Polyolefin, Semi-rigid	RT-301	/42; /86; /87	S-1017; S-1048; S-1052	Adhesive
-4	Polyolefin, Flexible	RT-1304	/42; /86; /87	S-1017; S-1048; S-1052	Adhesive
-6	Silicone	RT-602	N/A		
-8	Polyolefin, Space	RT-1308	N/A		
-12	*VITON, Flexible	RT-1312	N/A		
-25	Elastomer, Fluid Resistant	RT-1325	/86	S-1048	Adhesive
-100	Polyolefin, Semi-flexible ZEROHAL™	RT-1323	/86; /184	S-1048; S-1030	Adhesive

\*VITON is a Registered Trademark of Dupont

## ORDERING INFORMATION



THIS DRAWING IS SUBJECT TO CHANGE WITHOUT NOTICE; CONSULT YOUR  
NEAREST FIELD REPRESENTATIVE FOR CURRENT REVISION

**STE Raychem**  
TE Connectivity  
TE CONNECTIVITY  
300 CONSTITUTION DRIVE  
MENLO PARK, CALIFORNIA 94025

Revision : H1  
Date : 20APR11

Part Number : 222D921 thru 963  
Description : Boot, 90°, With lip

IF THIS DOCUMENT IS PRINTED IT BECOMES UNCONTROLLED.  
CHECK FOR THE LATEST REVISION.

CAD FILE MP95076

## X-ON Electronics

Largest Supplier of Electrical and Electronic Components

*Click to view similar products for [Cable Boots](#) category:*

*Click to view products by [TE Connectivity](#) manufacturer:*

Other Similar products are found below :

[618235-000](#) [622A014-3-0](#) [CX4132-000](#) [879515-000](#) [982033-2](#) [R280576000](#) [1300830729](#) [EN3BOOTLKIT](#) [MTPSRBCL-C](#) [1811481-1](#)  
[200W531-3-0](#) [202A121-386-0](#) [202A142-4-00/42-0](#) [202A163-4-0-CS5067](#) [202B221-13-0](#) [202B231-13-0](#) [202B563-25-07-0](#)  
[202C621710CS5361](#) [202D132-4-07/42-0](#) [202D221-4-0-CS5349](#) [202D221-4-26-0](#) [202D263-25-08-0](#) [202D263-4-22/42-0](#) [202D263-4-88-0](#)  
[202D921-2542-0](#) [202E336-71-0](#) [202F211-50-22-0-CS8474](#) [202F242-50-05-0](#) [202F242-51-04/164-0](#) [202K121-25-CS-1858-0](#) [202K121-25-](#)  
[CS-2062-0](#) [202K132-25-01/225-0CS8387](#) [202K153-3-0186-0](#) [202S132-25-UP-0](#) [203W301-3/42-0](#) [207W613-100/184-0-CS5657](#) [207W623-](#)  
[100-01/184-0](#) [207W634-100/184-0-CS5657](#) [207W656-100-01/184-0](#) [207W667-100-01/184-0](#) [207W667-100/184-0](#) [208A011-3-0](#) [208A021-3-](#)  
[0](#) [221A011-51164-0-CS7133](#) [222A121-2586](#) [222A152-342-0](#) [222A213-25-0-CS5613](#) [222D221-25-13/86-0](#) [222D232-4-61-0-CS5078](#)  
[222D253-100-22-0](#)