

Thermofit Molded Parts Specification Control Drawing

Part Number : 222F211thru285

Description : Boot, 90 Deg., With Lip

NOTES

- All dimensions are in $\frac{\text{inches}}{\text{[millimeters]}}$
- Dimensions appearing in table are as follows:
 - a - As Supplied
 - b - After Unrestricted Recovery
- Coating is optional. As supplied dimensions appearing in table are for uncoated parts. When coating is added, entry diameters will be reduced by .06 max.
- "S" & "T" dimensions apply to a minimum of 240° of the circumference.

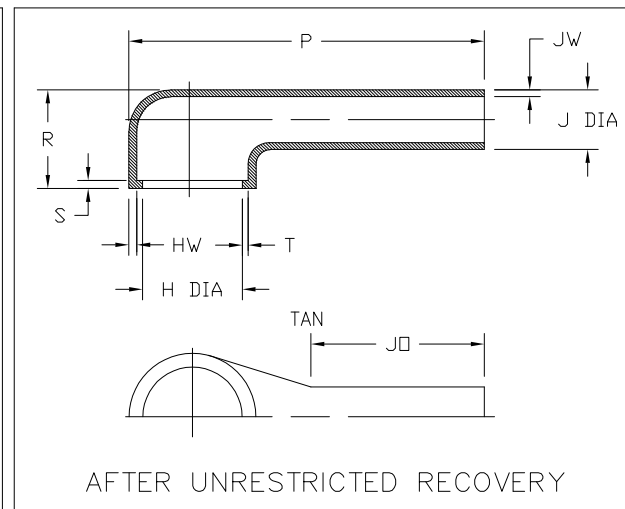
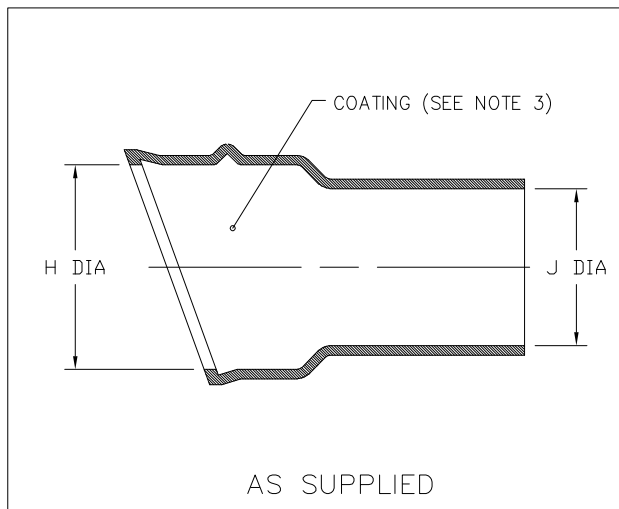


TABLE OF DIMENSIONS

PART NUMBER	H		J		P ±10%	R ±10%	JO ±10%	HW +.06 -.03	JW ±.03	S +.06 -.03	T ±.03
	Min	Max	Min	Max							
	a	b	a	b							
222F211	<u>.94</u> [23,9]	<u>.39</u> [9,9]	<u>.68</u> [17,3]	<u>.26</u> [6,6]	<u>4.14</u> [105,2]	<u>.73</u> [18,8]	<u>3.45</u> [87,6]	<u>.06</u> [1,52]	<u>.06</u> [1,52]	<u>.06</u> [1,52]	<u>.05</u> [1,27]
222F221	<u>1.07</u> [27,2]	<u>.52</u> [13,2]	<u>.82</u> [20,8]	<u>.30</u> [7,6]	<u>4.88</u> [124,0]	<u>.78</u> [19,8]	<u>3.90</u> [99,1]	<u>.06</u> [1,52]	<u>.06</u> [1,52]	<u>.06</u> [1,52]	<u>.05</u> [1,27]
222F232	<u>1.22</u> [31,0]	<u>.73</u> [18,5]	<u>.96</u> [24,4]	<u>.35</u> [8,9]	<u>5.76</u> [146,3]	<u>.82</u> [20,8]	<u>4.50</u> [114,3]	<u>.07</u> [1,78]	<u>.06</u> [1,52]	<u>.07</u> [1,78]	<u>.05</u> [1,27]
222F242	<u>1.40</u> [35,6]	<u>.87</u> [22,1]	<u>1.13</u> [28,7]	<u>.40</u> [10,2]	<u>6.78</u> [172,2]	<u>.86</u> [21,8]	<u>5.22</u> [132,6]	<u>.07</u> [1,78]	<u>.06</u> [1,52]	<u>.07</u> [1,78]	<u>.05</u> [1,27]
222F253	<u>1.53</u> [38,9]	<u>1.11</u> [28,2]	<u>1.24</u> [31,5]	<u>.43</u> [10,9]	<u>7.29</u> [185,2]	<u>.96</u> [24,4]	<u>5.66</u> [143,8]	<u>.07</u> [1,78]	<u>.06</u> [1,52]	<u>.07</u> [1,78]	<u>.07</u> [1,78]
222F263	<u>1.78</u> [45,2]	<u>1.27</u> [32,3]	<u>1.51</u> [38,4]	<u>.50</u> [12,7]	<u>8.41</u> [213,6]	<u>1.08</u> [27,4]	<u>6.66</u> [169,2]	<u>.07</u> [1,78]	<u>.06</u> [1,52]	<u>.07</u> [1,78]	<u>.07</u> [1,78]
222F274	<u>2.03</u> [51,6]	<u>1.62</u> [41,1]	<u>1.75</u> [44,5]	<u>.59</u> [15,0]	<u>8.84</u> [224,5]	<u>1.16</u> [29,5]	<u>6.82</u> [173,2]	<u>.07</u> [1,78]	<u>.07</u> [1,78]	<u>.07</u> [1,78]	<u>.07</u> [1,78]
222F285	<u>2.47</u> [62,7]	<u>1.69</u> [42,9]	<u>1.86</u> [47,2]	<u>.69</u> [17,5]	<u>8.95</u> [227,3]	<u>1.31</u> [33,3]	<u>6.62</u> [168,1]	<u>.08</u> [2,03]	<u>.07</u> [1,78]	<u>.07</u> [1,78]	<u>.08</u> [2,03]

IF THIS DOCUMENT IS PRINTED IT
BECOMES UNCONTROLLED.
CHECK FOR THE LATEST REVISION.



TE Connectivity
TE CONNECTIVITY
300 CONSTITUTION DRIVE
MENLO PARK, CALIFORNIA 94025

Revision : P1

Date : 29MAR11

Page 1 OF 2

Part Number : 222F211thru285

Description : Boot, 90 Deg., With Lip

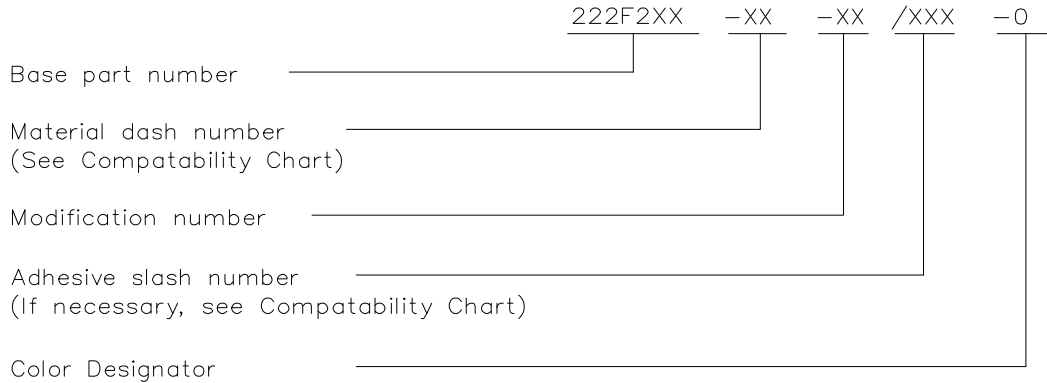
CAD FILE MP060168

Molded Parts Specification Control Drawing

Part Number : 222F211thru285
Description : Boot, 90 Deg., With Lip

COMPATABILITY CHART					
MATERIAL DASH NO.	MATERIAL DESCRIPTION	RT SPEC	COATING SLASH NO.	COATING S NO.	COATING DESCRIPTION
-50	Flexible VPB	RT-1313	N/A		
-51	Flexible EPB	RT-1321	/164	S-1124	Adhesive
-71	Flexible Polyolefin	RT-1316	/42,/86,/180	S-1017,S-1048,S-1030	Adhesive
-770	NBCCS	RT-770 TYPE II			

ORDERING INFORMATION



IF THIS DOCUMENT IS PRINTED IT BECOMES UNCONTROLLED.
CHECK FOR THE LATEST REVISION.

THIS DRAWING IS SUBJECT TO CHANGE WITHOUT NOTICE; CONSULT YOUR
NEAREST FIELD REPRESENTATIVE FOR CURRENT REVISION



TE CONNECTIVITY
300 CONSTITUTION DRIVE
MENLO PARK, CALIFORNIA 94025

Revision : P1
Date : 20APR11
Page 2 OF 2

Part Number : 222F211thru285
Description : Boot, 90 Deg., With Lip

CAD FILE MP060168

X-ON Electronics

Largest Supplier of Electrical and Electronic Components

Click to view similar products for [Heat Shrink Cable Boots & End Caps](#) category:

Click to view products by [TE Connectivity](#) manufacturer:

Other Similar products are found below :

[577159N001](#) [645494-000](#) [CX4132-000](#) [687025-000](#) [705331-000](#) [718446-000](#) [725666N001](#) [729257-000](#) [F27131-000](#) [F85868-000](#) [770-003S106W2](#) [770-013210W1](#) [770-013311](#) [770-013312](#) [806542N001](#) [807507-000](#) [808059-000](#) [808362-000](#) [808618-000](#) [809125-000](#) [809130-000](#) [809218-000](#) [812014-000](#) [812047-000](#) [813166-000](#) [813767N002](#) [814741-000](#) [819117N001](#) [823026-000](#) [823070-000](#) [825002-000](#) [841189N001](#) [861471-000](#) [866647-000](#) [879515-000](#) [937577-000](#) [957073-000](#) [982033-2](#) [A77813-000](#) [R280576000](#) [D96192-000](#) [163549-000](#) [MTPSRBCL-C](#) [1954015-1](#) [200W531-3-0](#) [202A163-4-0-CS5067](#) [202A343-3-00-0](#) [202B221-13-0](#) [202B231-13-0](#) [202B563-25-07-0](#)