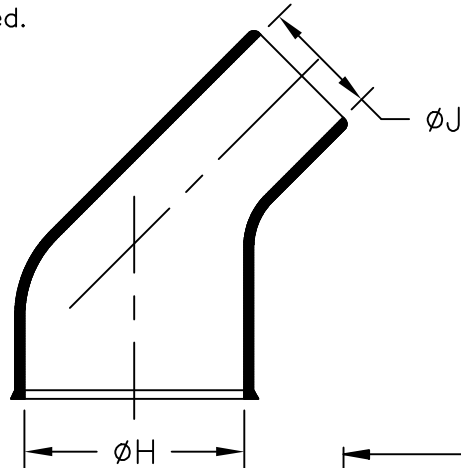


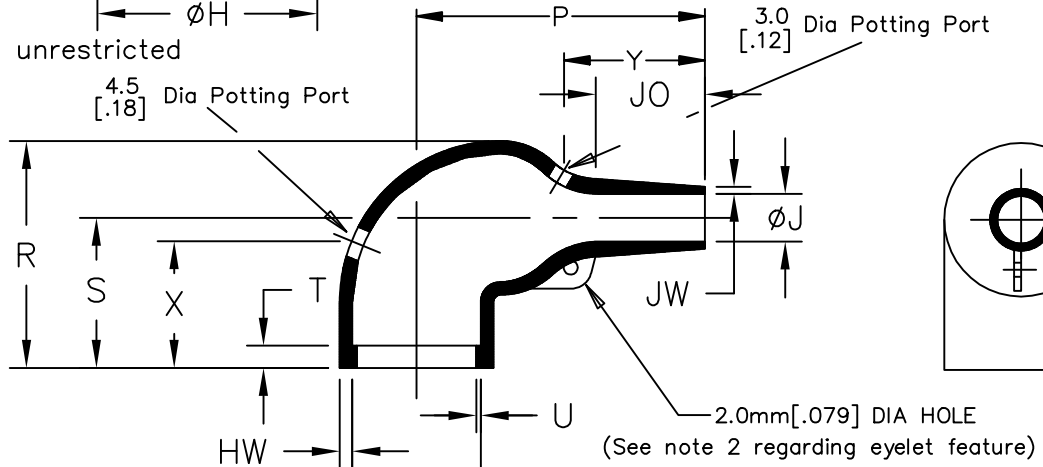
REVISIONS

P	LTR	DESCRIPTION	DATE	DWN	APVD
11		PRODUCTION ISSUE	31JAN2019	PNT	MT

a) Part as supplied.



b) Part after unrestricted recovery.



DIMENSIONS in millimetres [in inches, for reference]

Part No.	H		J		P		R		S		T		U		JO		HW		JW		X		Y					
	Min	Max	Min	Max	±10%	±10%	±10%	±10%	±10%	±10%	±10%	±10%	±10%	±10%	±10%	±10%	±10%	±10%	±10%	±10%	±10%	±10%	±10%	±10%				
	a	b	a	b	b	b	b	b	b	b	b	b	b	b	b	b	b	b	b	b	b	b	b	b				
222K121	24	10.4	14	5.6	25	25	19	3.0	1.0	8.5	1.3	0.5	18	16	[.94]	[.41]	[.55]	[.22]	[.98]	[.98]	[.75]	[.12]	[.04]	[.33]	[.05]	[.02]	[.71]	[.63]
222K132	30	14.2	15	5.9	32	27	20	3.0	1.0	8.5	1.5	0.8	18	20	[1.18]	[.56]	[.59]	[.23]	[1.26]	[1.06]	[.79]	[.12]	[.04]	[.33]	[.06]	[.03]	[.71]	[.79]
222K142	31	18.0	18	7.1	39	31	21	3.0	1.0	15.0	1.8	1.0	18	20	[1.22]	[.71]	[.71]	[.28]	[1.54]	[1.22]	[.83]	[.12]	[.04]	[.59]	[.07]	[.04]	[.71]	[.79]
222K152	36	22.4	21	8.4	46	38	26	3.0	1.0	16.0	1.8	1.0	25	25	[1.42]	[.88]	[.83]	[.33]	[1.81]	[1.50]	[1.02]	[.12]	[.04]	[.63]	[.07]	[.04]	[.98]	[.98]
222K163	43	28.2	25	9.9	55	45	30	3.0	1.7	17.5	2.0	1.0	25	30	[1.69]	[1.11]	[.98]	[.39]	[2.17]	[1.77]	[1.18]	[.12]	[.07]	[.69]	[.08]	[.04]	[.98]	[1.18]
222K174	60	35.1	39	15.7	80	54	35	3.0	1.7	32.0	3.3	1.5	25	45	[2.36]	[1.38]	[1.54]	[.62]	[3.15]	[2.13]	[1.38]	[.12]	[.07]	[1.26]	[.13]	[.06]	[.98]	[1.77]
222K185	66	44.5	42	16.8	108	68	42	3.0	2.0	48.0	3.8	2.0	35	70	[2.60]	[1.75]	[1.65]	[.66]	[4.25]	[2.68]	[1.65]	[.12]	[.08]	[1.89]	[.15]	[.08]	[1.38]	[2.76]

RELEASED FOR PUBLICATION  
ALL RIGHTS RESERVED.

THIS DRAWING IS UNPUBLISHED.

© COPYRIGHT - TE Connectivity Ltd.

DIMENSIONS: mm [INCHES]	DWN	31JAN2019	MATERIAL	SEE SHEET 2	FINISH	-
	CHK	31JAN2019	PRAVEEN N T			
TOLERANCES UNLESS OTHERWISE SPECIFIED:	APVD	31JAN2019	N NAGAR			
	PRODUCT SPEC	M TAYLOR				
0 PLC ± - 1 PLC ± - 2 PLC ± - 3 PLC ± - 4 PLC ± - ANGLES ± -	APPLICATION SPEC	-				
	WEIGHT	-				
	CUSTOMER DRAWING	A4 00779			C= 222K1XX-12-0	
	RESTRICTED TO	-				
SCALE	DNS	SHEET	1 OF 2		REV	11

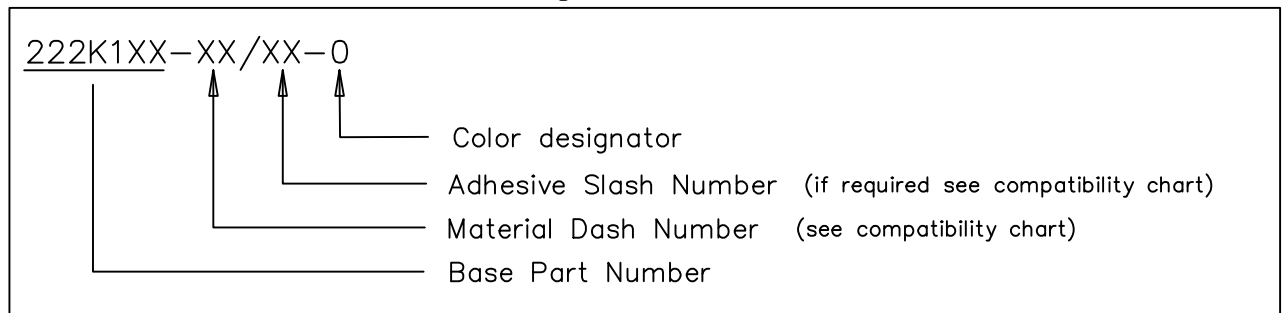
REVISIONS

P	LTR	DESCRIPTION	DATE	DWN	APVD
-	-	SEE SHEET 1	-	-	-

COMPATIBILITY CHART

MATERIAL DASH NO.	MATERIAL DESCRIPTION	RT SPEC	COATING SLASH NO.	COATING S NO.
-12	Fluoroelastomer, flexible	RT-1312	N/A	N/A

Ordering Information


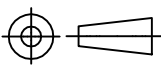


NOTES

- 1) Potting Ports are optional, when specified by suffix "-00" they will be located as shown.
- 2) If eyelet feature is required, add CS-1863 to description:-  
222K132-12-CS-1836-0  
If eyelet feature and clip is required, add CS-1858 to description:-  
222K132-12-CS-1858-0
- 3) As supplied dimensions are for uncoated parts, when coating is added entry diameters will reduce by 1.5mm[.06] Max.

RELEASED FOR PUBLICATION  
ALL RIGHTS RESERVED.

THIS DRAWING IS UNPUBLISHED.  
© COPYRIGHT - TE Connectivity Ltd.

DIMENSIONS: mm [INCHES]	DWN PRAVEEN N T	31JAN2019	MATERIAL	-	FINISH	-
	CHK N NAGAR	31JAN2019	 TE Connectivity Ltd.			
TOLERANCES UNLESS OTHERWISE SPECIFIED:	APVD M TAYLOR	31JAN2019				
0 PLC ± -	PRODUCT SPEC	-	NAME			BOOT 90° WITH LIP
1 PLC ± -	-	-	SIZE			A4
2 PLC ± -	APPLICATION SPEC	-	CAGE CODE	DRAWING NO	RESTRICTED TO	
3 PLC ± -	-	-	-	222K1XX-12-0	-	
4 PLC ± -	-	-	-	-	-	
ANGLES ± -	WEIGHT	-	-	-	-	
	CUSTOMER DRAWING			SCALE	DNS	SHEET 2 OF 2
						REV 11

## X-ON Electronics

Largest Supplier of Electrical and Electronic Components

*Click to view similar products for [Heat Shrink Cable Boots & End Caps](#) category:*

*Click to view products by [TE Connectivity](#) manufacturer:*

Other Similar products are found below :

[577159N001](#) [645494-000](#) [CX4132-000](#) [687025-000](#) [705331-000](#) [718446-000](#) [725666N001](#) [729257-000](#) [F27131-000](#) [F85868-000](#) [770-003S106W2](#) [806542N001](#) [807507-000](#) [808059-000](#) [808362-000](#) [808618-000](#) [809125-000](#) [809130-000](#) [809218-000](#) [812014-000](#) [812047-000](#) [813166-000](#) [813767N002](#) [814741-000](#) [819117N001](#) [823026-000](#) [823070-000](#) [825002-000](#) [841189N001](#) [861471-000](#) [866647-000](#) [879515-000](#) [937577-000](#) [957073-000](#) [982033-2](#) [A77813-000](#) [R280576000](#) [D96192-000](#) [163549-000](#) [MTPSRBCL-C](#) [1954015-1](#) [200W531-3-0](#) [202A163-4-0-CS5067](#) [202A343-3-00-0](#) [202B221-13-0](#) [202B231-13-0](#) [202B563-25-07-0](#) [202C241-13-0](#) [202D121-4-01/86-0](#) [202D132-4-07/42-0](#)