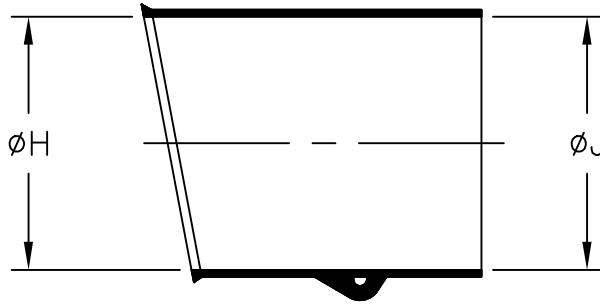


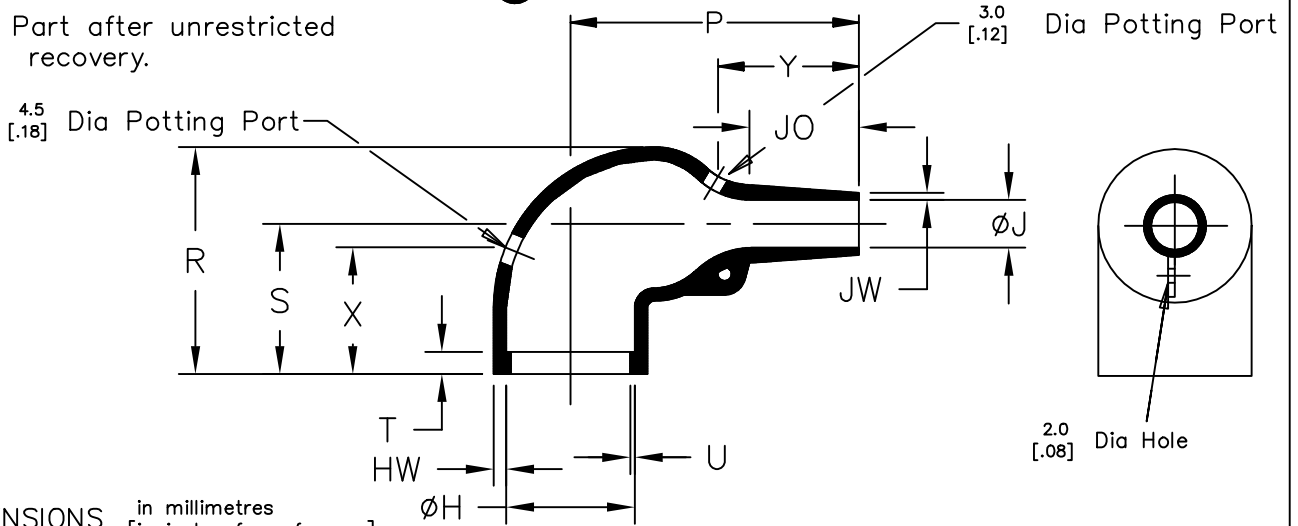
REVISIONS

P	LTR	DESCRIPTION	DATE	DWN	APVD
	13	PRODUCTION ISSUE	31JAN2019	PNT	MT

a) Part as supplied.



b) Part after unrestricted recovery.



DIMENSIONS in millimetres
[in inches, for reference]

Part No.	H		J		P	R	S	T	U	JO	HW	JW	X	Y
	Min a	Max b	Min a	Max b	±10% b	±10% b	±10% b	±10% b	±10% b	±10% b	±20% b	±20% b	±20% b	±20% b
222K121	24 [.94]	10.4 [.41]	24 [.94]	5.6 [.22]	25 [.98]	25 [.98]	19 [.75]	3.0 [.12]	1.0 [.04]	8.5 [.33]	1.3 [.05]	0.5 [.02]	18 [.71]	16 [.63]
222K132	30 [1.18]	14.2 [.56]	30 [1.18]	5.9 [.23]	32 [1.26]	27 [1.06]	20 [.79]	3.0 [.12]	1.0 [.04]	8.5 [.33]	1.5 [.06]	0.8 [.03]	18 [.71]	20 [.79]
222K142	31 [1.22]	18.0 [.71]	31 [1.22]	7.1 [.28]	39 [1.54]	31 [1.22]	21 [.83]	3.0 [.12]	1.0 [.04]	15.0 [.59]	1.8 [.07]	1.0 [.04]	18 [.71]	20 [.79]
222K152	36 [1.42]	22.4 [.88]	36 [1.42]	8.4 [.33]	46 [1.81]	38 [1.50]	26 [1.02]	3.0 [.12]	1.0 [.04]	16.0 [.63]	1.8 [.07]	1.0 [.04]	25 [.98]	25 [.98]
222K163	43 [1.69]	28.2 [1.11]	43 [1.69]	9.9 [.39]	55 [2.17]	45 [1.77]	30 [1.18]	3.0 [.12]	1.7 [.07]	17.5 [.69]	2.0 [.08]	1.0 [.04]	25 [.98]	30 [1.18]
222K174	60 [2.36]	35.1 [1.38]	60 [2.36]	15.7 [.62]	80 [3.15]	54 [2.13]	35 [1.38]	3.0 [.12]	1.7 [.07]	32.0 [1.26]	3.3 [.13]	1.5 [.06]	25 [.98]	45 [1.77]
222K185	66 [2.60]	44.5 [1.75]	66 [2.60]	16.8 [.66]	108 [4.25]	68 [2.68]	42 [1.65]	3.0 [.12]	2.0 [.08]	48.0 [1.89]	3.8 [.15]	2.0 [.08]	35 [1.38]	70 [2.76]

THIS DRAWING IS UNPUBLISHED. ALL RIGHTS RESERVED. © COPYRIGHT - TE Connectivity Ltd.

DIMENSIONS: mm [INCHES]	DWN	PRAVEEN N T	31JAN2019	MATERIAL	SEE SHEET 2	FINISH	-	
	CHK	N NAGAR	31JAN2019	TE Connectivity Ltd.				
TOLERANCES UNLESS OTHERWISE SPECIFIED:	APVD	M TAYLOR	31JAN2019					
0 PLC ± -	PRODUCT SPEC	-						NAME
1 PLC ± -	APPLICATION SPEC	-		SIZE	A4	CAGE CODE	00779	
2 PLC ± -	WEIGHT	-		DRAWING NO	C= 222K1XX-XX-0		RESTRICTED TO	-
3 PLC ± -		CUSTOMER DRAWING			SCALE	DNS	SHEET	1 OF 2
4 PLC ± -					REV	13		
ANGLES ± -								

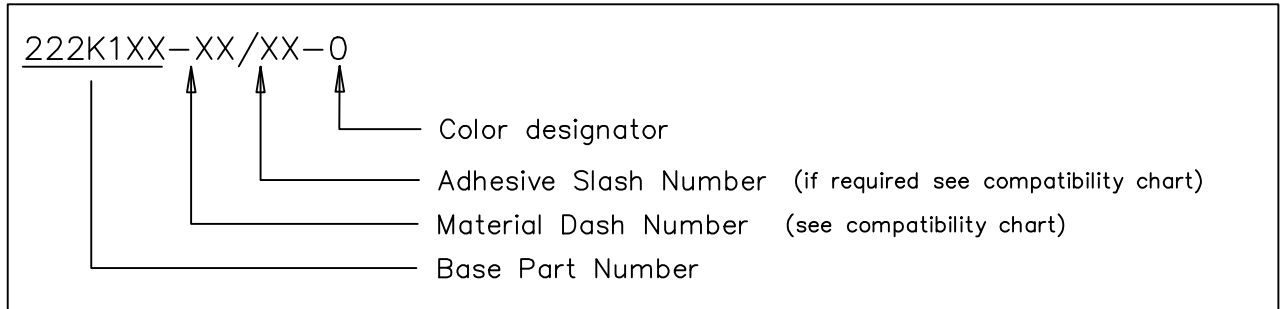
REVISIONS

P	LTR	DESCRIPTION	DATE	DWN	APVD
-	-	SEE SHEET 1	-	-	-

COMPATIBILITY CHART

Material Dash Number	Material Description	RT Spec	Coating Slash No.	Coating S No.
-3	POLYOLEFIN, SEMI-RIGID	RT-301	/42, /86, /180	S1017; S1048; S1030
-4	POLYOLEFIN, FLEXIBLE	RT-1304	/42, /86, /180	S1017; S1048; S1030
-25	ELASTOMER, FLUID RESISTANT	RW-2070	/42, /86, /225	S1017; S1048; S1206


Ordering Information

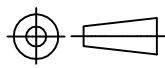


NOTES

- 1) If eyelet clip (000W212) is required with part then add CS-1858 to description (i.e. 222K132-3-CS-1858-0).
- 2) As supplied dimensions are for uncoated parts, when coating is added entry diameters will reduce by 1.5mm[.06] Max.
- 3) Potting ports are optional, when specified by suffix :- -00 they will be located as shown.
- 4) For -12 SCD see 222K1XX-12.
- 5) For -100 SCD see 222K1XX-100

THIS DRAWING IS UNPUBLISHED. ALL RIGHTS RESERVED. © COPYRIGHT - TE Connectivity Ltd.

DIMENSIONS: mm [INCHES]	DWN PRAVEEN N T	31JAN2019	MATERIAL	-	FINISH	-
	CHK N NAGAR	31JAN2019	 TE Connectivity Ltd.			
TOLERANCES UNLESS OTHERWISE SPECIFIED:	APVD M TAYLOR	31JAN2019				
0 PLC ± -	PRODUCT SPEC	-	NAME			BOOT 90 DEG WITH LIP
1 PLC ± -	-	-	SIZE			A4
2 PLC ± -	APPLICATION SPEC	-	CAGE CODE	DRAWING NO	RESTRICTED TO	-
3 PLC ± -	-	-	-	222K1XX-XX-0	-	
4 PLC ± -	WEIGHT	-	SCALE			DNS
ANGLES ± -	CUSTOMER DRAWING		SHEET		2 OF 2	REV 13



X-ON Electronics

Largest Supplier of Electrical and Electronic Components

Click to view similar products for [Heat Shrink Cable Boots & End Caps](#) category:

Click to view products by [TE Connectivity](#) manufacturer:

Other Similar products are found below :

[577159N001](#) [645494-000](#) [CX4132-000](#) [687025-000](#) [705331-000](#) [718446-000](#) [725666N001](#) [729257-000](#) [F27131-000](#) [F85868-000](#) [770-003S106W2](#) [770-013210W1](#) [770-013311](#) [770-013312](#) [806542N001](#) [807507-000](#) [808362-000](#) [808618-000](#) [809125-000](#) [809130-000](#) [809218-000](#) [812014-000](#) [812047-000](#) [813166-000](#) [813767N002](#) [814741-000](#) [819117N001](#) [823026-000](#) [823070-000](#) [841189N001](#) [861471-000](#) [866647-000](#) [879515-000](#) [937577-000](#) [957073-000](#) [982033-2](#) [A77813-000](#) [R280576000](#) [D96192-000](#) [163549-000](#) [EN3BOOTLKIT](#) [MTPSRBCL-C](#) [1954015-1](#) [200W531-3-0](#) [202A163-4-0-CS5067](#) [202A343-3-00-0](#) [202B221-13-0](#) [202B231-13-0](#) [202B563-25-07-0](#) [202C241-13-0](#)