

Molded Parts Specification Control Drawing

Part Number : 222K163-8
Description : Boot, 90°, With Lip

NOTES

- All dimensions are in $\left[\begin{matrix} \text{inches} \\ \text{millimeters} \end{matrix} \right]$
- Dimensions appearing in table are as follows:
a - As Supplied
b - After Unrestricted Recovery
- Molding parts are optional. When -00 modification number is specified molding ports will be located as shown.
- If eyelet clip (000W212) is required with part then add CS-1858 to description (i.e. 202K121-3-0-CS-1858).

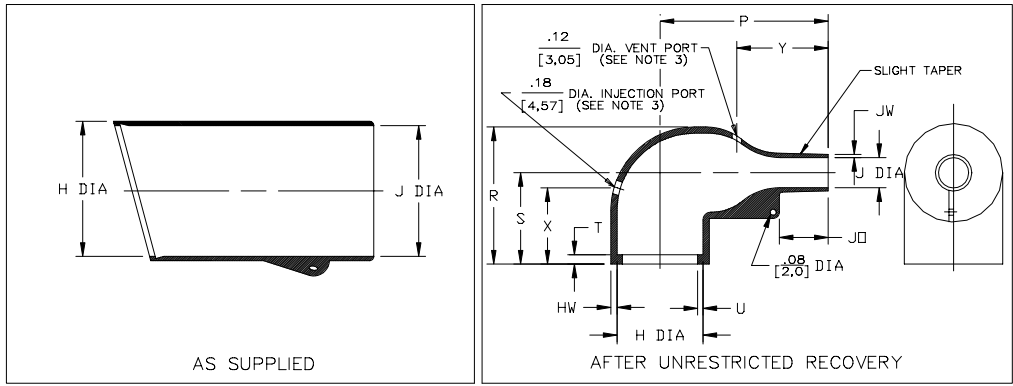


TABLE OF DIMENSIONS

PART NUMBER	H		J		P	R	S	T	U	JO	HW	JW	X	Y
	Min	Max	Min	Max	±10%	±10%	±10%	±10%	±10%	±10%	±20%	±20%	±20%	±20%
	a	b	a	b	b	b	b	b	b	b	b	b	b	b
222K163-8	1.69 [43,0]	1.11 [28,2]	.98 [25,0]	.39 [9,9]	2.17 [55,0]	1.77 [46,0]	1.18 [30,0]	.12 [3,0]	.07 [1,7]	.63 [16,0]	.08 [2,0]	.04 [1,0]	.98 [25,0]	1.18 [30,0]



TYCO ELECTRONICS
300 CONSTITUTION DRIVE
MENLO PARK, CALIFORNIA 94025

Revision : B
Date : 3/03/03

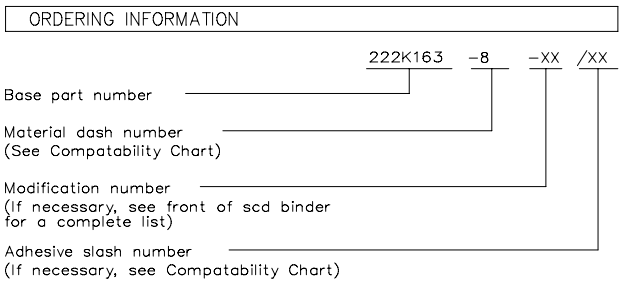
Part Number : 222K163-8
Description : Boot, 90°, With Lip

Molded Parts Specification Control Drawing

Part Number : 222K163-8
Description : Boot, 90°, With Lip

COMPATABILITY CHART

MATERIAL DASH NO.	MATERIAL DESCRIPTION	RT SPEC	COATING SLASH NO.	COATING S NO.	COATING DESCRIPTION
-8	Polyolefin, Space	RT-1308	N/A		



THIS DRAWING IS SUBJECT TO CHANGE WITHOUT NOTICE; CONSULT YOUR NEAREST FIELD REPRESENTATIVE FOR CURRENT REVISION



TYCO ELECTRONICS
300 CONSTITUTION DRIVE
MENLO PARK, CALIFORNIA 94025

Revision : B
Date : 3/03/03

Part Number : 222K163-8
Description : Boot, 90°, With lip

X-ON Electronics

Largest Supplier of Electrical and Electronic Components

Click to view similar products for [Cable Boots](#) category:

Click to view products by [TE Connectivity](#) manufacturer:

Other Similar products are found below :

[618235-000](#) [622A014-3-0](#) [CX4132-000](#) [879103-4](#) [879515-000](#) [889092](#) [982033-2](#) [R280576000](#) [1300830729](#) [MTPSRBCL-C](#) [1811481-1](#)
[200W531-3-0](#) [202A121-386-0](#) [202A142-4-00/42-0](#) [202A163-4-0-CS5067](#) [202B221-13-0](#) [202B231-13-0](#) [202B563-25-07-0](#)
[202C621710CS5361](#) [202D132-4-07/42-0](#) [202D221-4-0-CS5349](#) [202D221-4-26-0](#) [202D263-25-08-0](#) [202D263-4-22/42-0](#) [202D263-4-88-0](#)
[202D921-2542-0](#) [202E336-71-0](#) [202F211-50-22-0-CS8474](#) [202F242-50-05-0](#) [202F242-51-04/164-0](#) [202K121-25-CS-1858-0](#) [202K121-25-](#)
[CS-2062-0](#) [202K132-25-01/225-0CS8387](#) [202K153-3-0186-0](#) [202S132-25-UP-0](#) [203W301-3/42-0](#) [207W613-100/184-0-CS5657](#) [207W623-](#)
[100-01/184-0](#) [207W634-100/184-0-CS5657](#) [207W656-100-01/184-0](#) [207W667-100-01/184-0](#) [207W667-100/184-0](#) [208A011-3-0](#) [208A021-3-](#)
[0](#) [221A011-51164-0-CS7133](#) [222A121-2586](#) [222A152-342-0](#) [222A213-25-0-CS5613](#) [222D221-25-13/86-0](#) [222D232-4-61-0-CS5078](#)