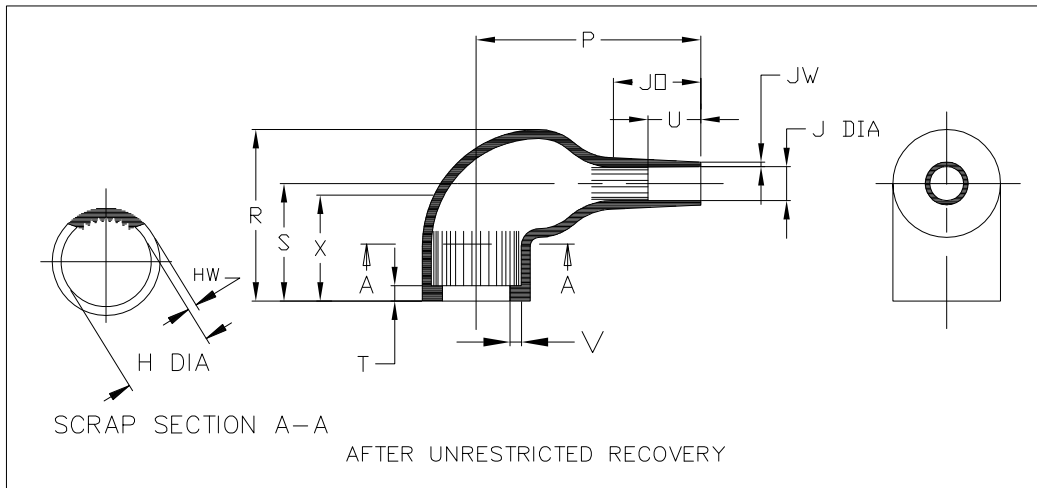
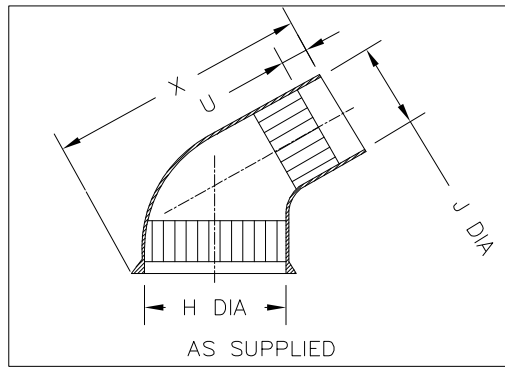


REVISIONS

P	LTR	DESCRIPTION	DATE	DWN	APVD
	1	PRODUCTION ISSUE	24JUN2016	KH	AP



Part No.	H		J		P	R	S	T	U		V	JO	X	HW	JW				
	Min	Max	Min	Max					±10%	±10%						±10%	±10%	Min	±10%
	a	b	a	b					b	b						b	b	a	b
222S121-100C-0	14 [.55]	10.4 [.41]	10 [.39]	5.0 [.20]	30 [1.18]	25 [.98]	19 [.75]	3.0 [.12]	5.0 [.20]	10 [.39]	1.0 [.04]	15 [.59]	47 [1.85]	1.5 [.06]	1.0 [.04]				
222S132-100C-0	20 [.79]	14.2 [.56]	12 [.47]	6.0 [.24]	38 [1.50]	28 [1.10]	20 [.79]	3.0 [.12]	5.0 [.20]	10 [.39]	1.0 [.04]	17 [.67]	57 [2.24]	1.5 [.06]	1.0 [.04]				
222S142-100C-0	26 [1.02]	18.0 [.71]	14 [.55]	7.2 [.28]	42 [1.65]	31 [1.22]	21 [.83]	3.0 [.12]	6.0 [.24]	10 [.39]	1.0 [.04]	18 [.71]	64 [2.52]	2.0 [.08]	1.0 [.04]				
222S152-100C-0	31 [1.22]	22.4 [.88]	20 [.79]	8.5 [.33]	51 [2.01]	38 [1.50]	26 [1.02]	3.0 [.12]	7.0 [.28]	12 [.47]	1.0 [.04]	20 [.79]	76 [2.99]	2.0 [.08]	1.0 [.04]				
222S163-100C-0	38 [1.50]	28.2 [1.11]	24 [.94]	10.0 [.39]	67 [2.64]	45 [1.77]	30 [1.18]	3.0 [.12]	12 [.47]	20 [.79]	1.7 [.07]	28 [1.10]	92 [3.62]	2.2 [.09]	1.5 [.06]				
222S174-100C-0	41 [1.61]	35.1 [1.38]	32 [1.26]	15.8 [.62]	80 [3.15]	54 [2.13]	36 [1.42]	3.0 [.12]	12 [.47]	20 [.79]	1.7 [.07]	31 [1.22]	111 [4.37]	3.0 [.12]	1.5 [.06]				

RELEASED FOR PUBLICATION

ALL RIGHTS RESERVED.

THIS DRAWING IS UNPUBLISHED.

COPYRIGHT 2017 By TE Connectivity

DIMENSIONS:
mm [INCHES]

DWN K. HOTAL 24JUN2016
CHK N. NAGAR 24JUN2016
APVD A. POOLE 24JUN2016

MATERIAL - FINISH -

TE Connectivity

TOLERANCES UNLESS OTHERWISE SPECIFIED:

PRODUCT SPEC -
APPLICATION SPEC -

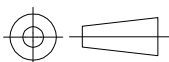
NAME
RIGHT ANGLED BOOT, COATED
222S1XX-100C-0

- 0 PLC ± -
- 1 PLC ± -
- 2 PLC ± -
- 3 PLC ± -
- 4 PLC ± -
- ANGLES ± -

WEIGHT 00
CUSTOMER DRAWING

SIZE A4 CAGE CODE 00779 DRAWING NO 222S1XX-100C-0

RESTRICTED TO -



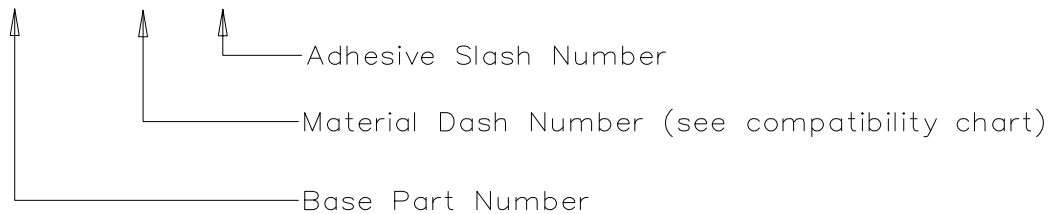
SCALE DNS SHEET 1 OF 2 REV 1

REVISIONS				
P	LTR	DESCRIPTION	DATE	APVD
-	-	SEE SHEET 1	-	-

COMPATIBILITY CHART			
Material Dash No.	Material Description	SPEC No.	Coating Slash No.
-100C	ZEROHALOGEN/SILVER COMPOSITE	RW-3046	/86, /200

ORDERING INFORMATION

222S1**-100C/**-0



NOTES


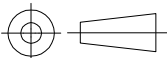
- As supplied dimensions are for parts without adhesive, when an adhesive layer is added entry diameters will reduce by 1.5mm Max.
- For method of measuring recovered diameter, see appropriate RW specification (SPEC No.) section 2.2.

RELEASED FOR PUBLICATION

ALL RIGHTS RESERVED.

THIS DRAWING IS UNPUBLISHED.

© COPYRIGHT 2017 By TE Connectivity

DIMENSIONS: mm [INCHES]	DWN K. HOLAL	08JUN2016	MATERIAL -	FINISH -		
	CHK N. NAGAR	08JUN2016	 TE Connectivity			
TOLERANCES UNLESS OTHERWISE SPECIFIED:	APVD A. POOLE	08JUN2016			NAME RIGHT ANGLED BOOT, COATED 222S1XX-100C-0	
0 PLC ± -	PRODUCT SPEC	-	SIZE	CAGE CODE	DRAWING NO	RESTRICTED TO
1 PLC ± -	APPLICATION SPEC	-	A4	00779	C-222S1XX-100C-0	-
2 PLC ± -	WEIGHT	00	CUSTOMER DRAWING			
3 PLC ± -	SCALE		DNS		SHEET	2 OF 2
4 PLC ± -	REV		1		REV 1	
ANGLES ± -						

X-ON Electronics

Largest Supplier of Electrical and Electronic Components

Click to view similar products for [Heat Shrink Cable Boots & End Caps](#) category:

Click to view products by [TE Connectivity](#) manufacturer:

Other Similar products are found below :

[577159N001](#) [645494-000](#) [CX4132-000](#) [687025-000](#) [705331-000](#) [718446-000](#) [725666N001](#) [729257-000](#) [F27131-000](#) [F85868-000](#) [770-003S106W2](#) [806542N001](#) [807507-000](#) [808059-000](#) [808362-000](#) [808618-000](#) [809125-000](#) [809130-000](#) [809218-000](#) [812014-000](#) [812047-000](#) [813166-000](#) [813767N002](#) [814741-000](#) [819117N001](#) [823026-000](#) [823070-000](#) [825002-000](#) [841189N001](#) [861471-000](#) [866647-000](#) [879515-000](#) [937577-000](#) [957073-000](#) [982033-2](#) [A77813-000](#) [R280576000](#) [D96192-000](#) [163549-000](#) [MTPSRBCL-C](#) [1954015-1](#) [200W531-3-0](#) [202A163-4-0-CS5067](#) [202A343-3-00-0](#) [202B221-13-0](#) [202B231-13-0](#) [202B563-25-07-0](#) [202C241-13-0](#) [202D121-4-01/86-0](#) [202D132-4-07/42-0](#)