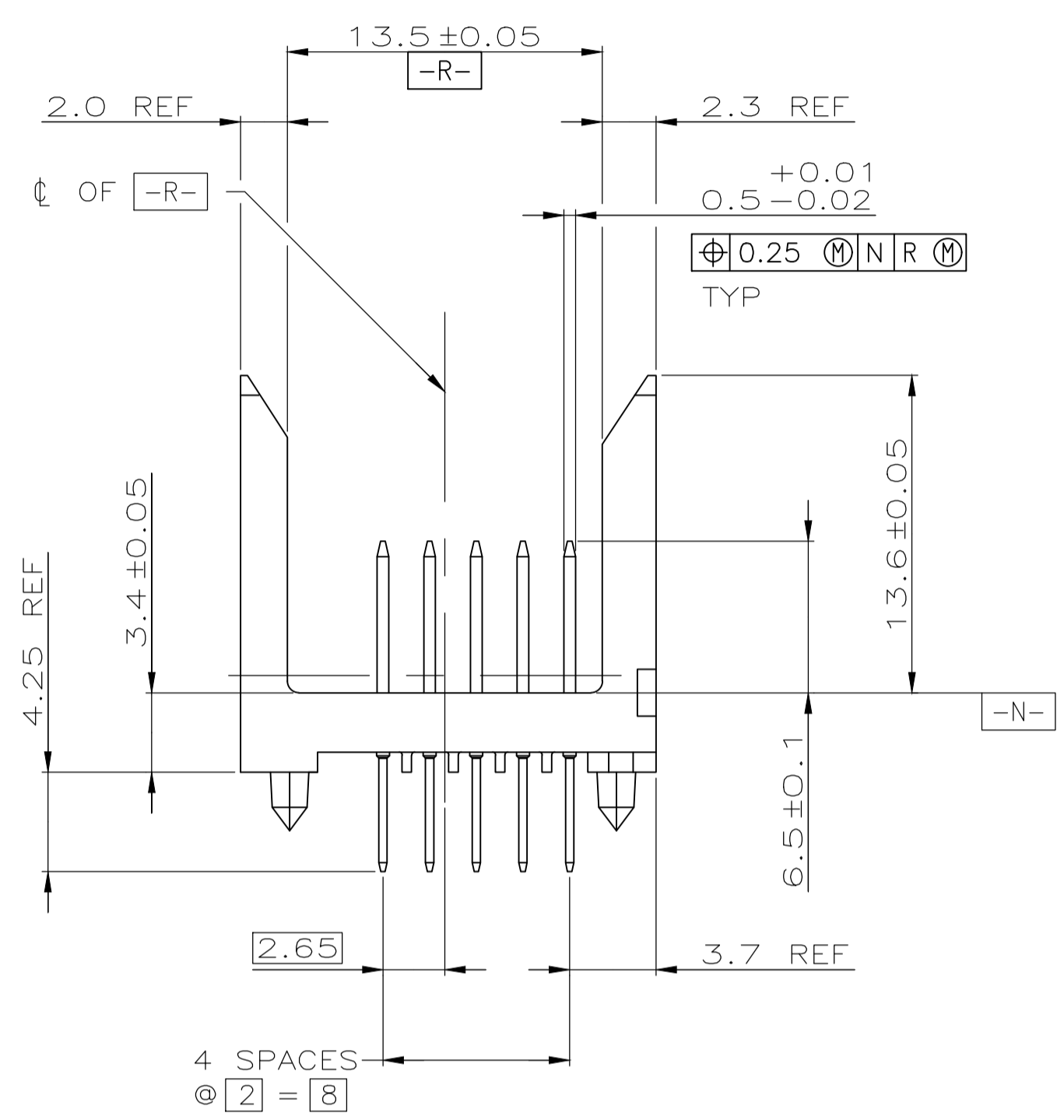
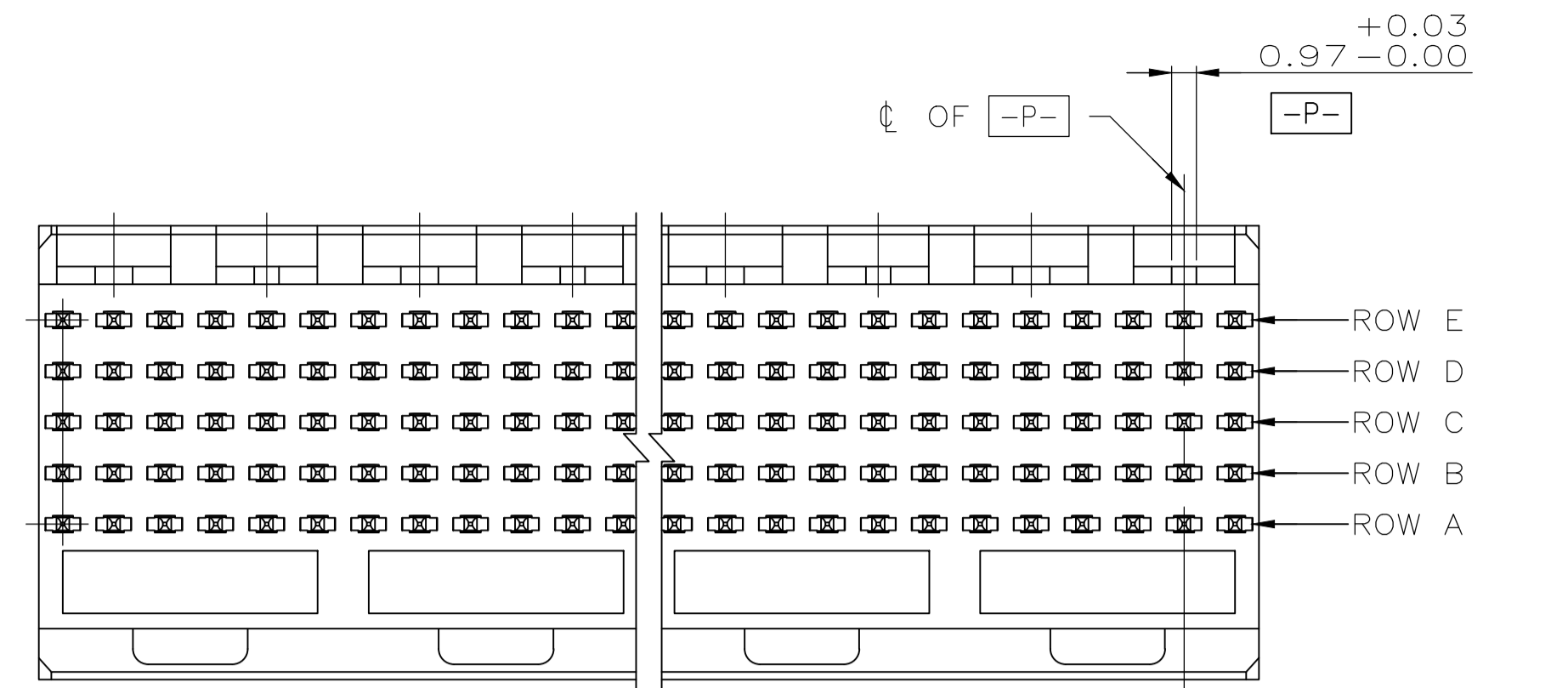
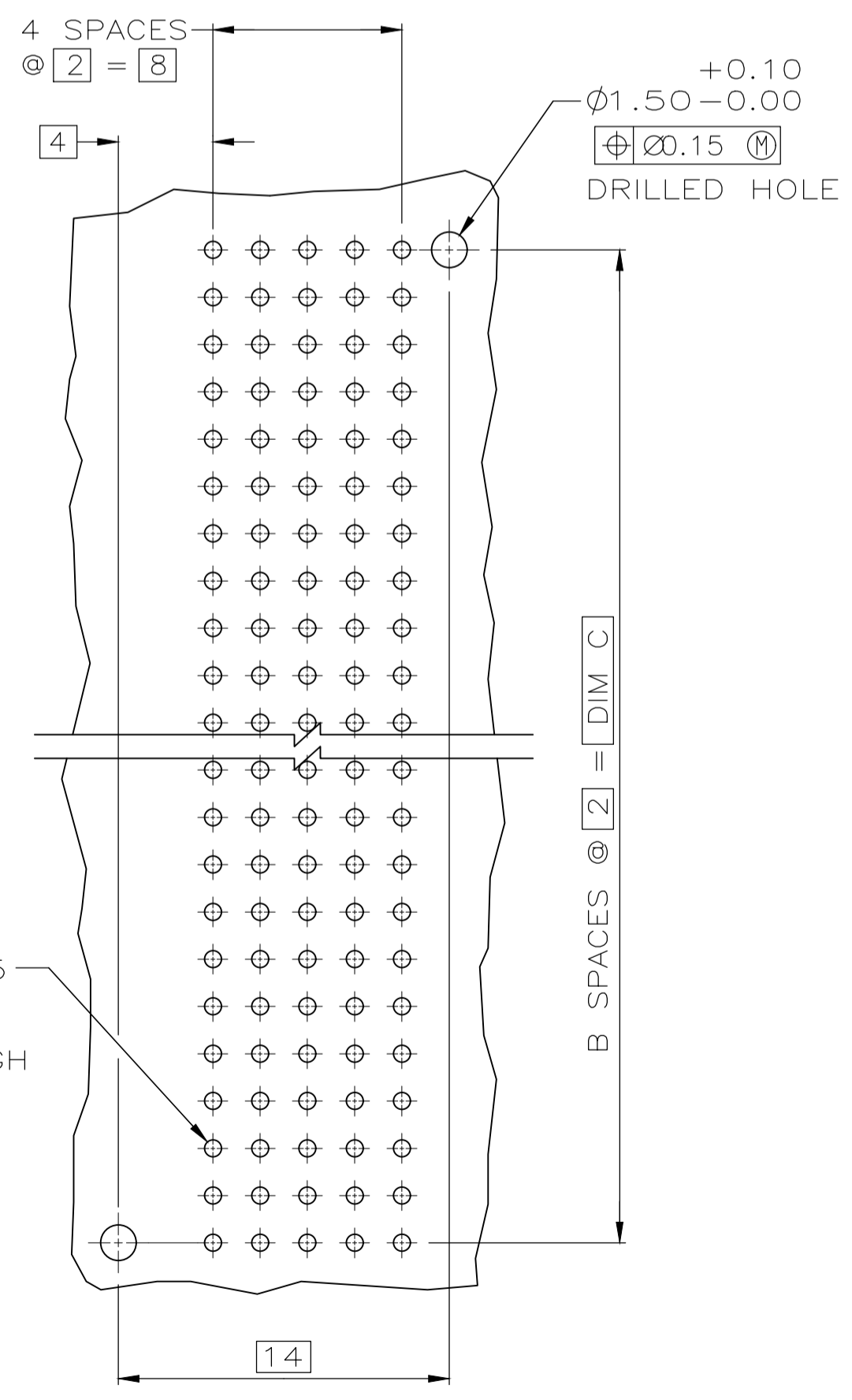
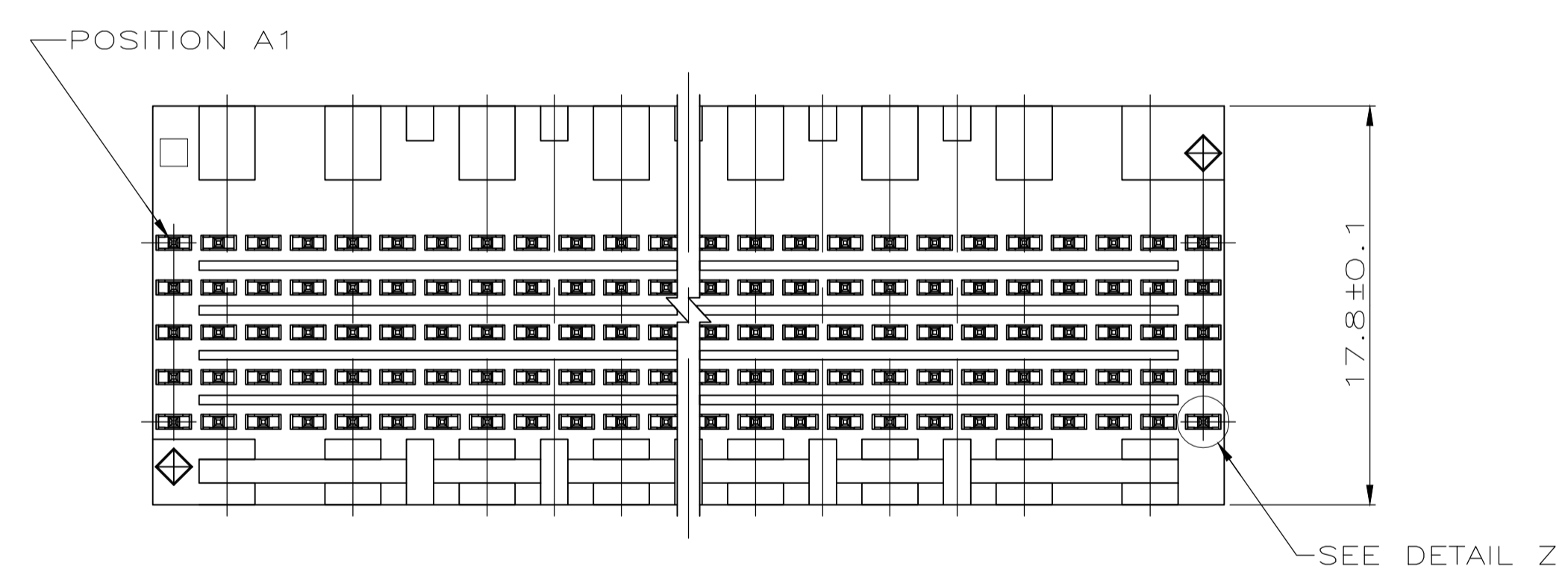
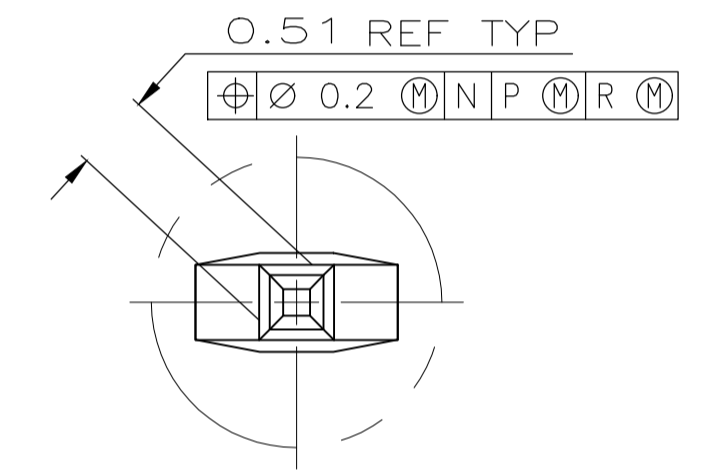
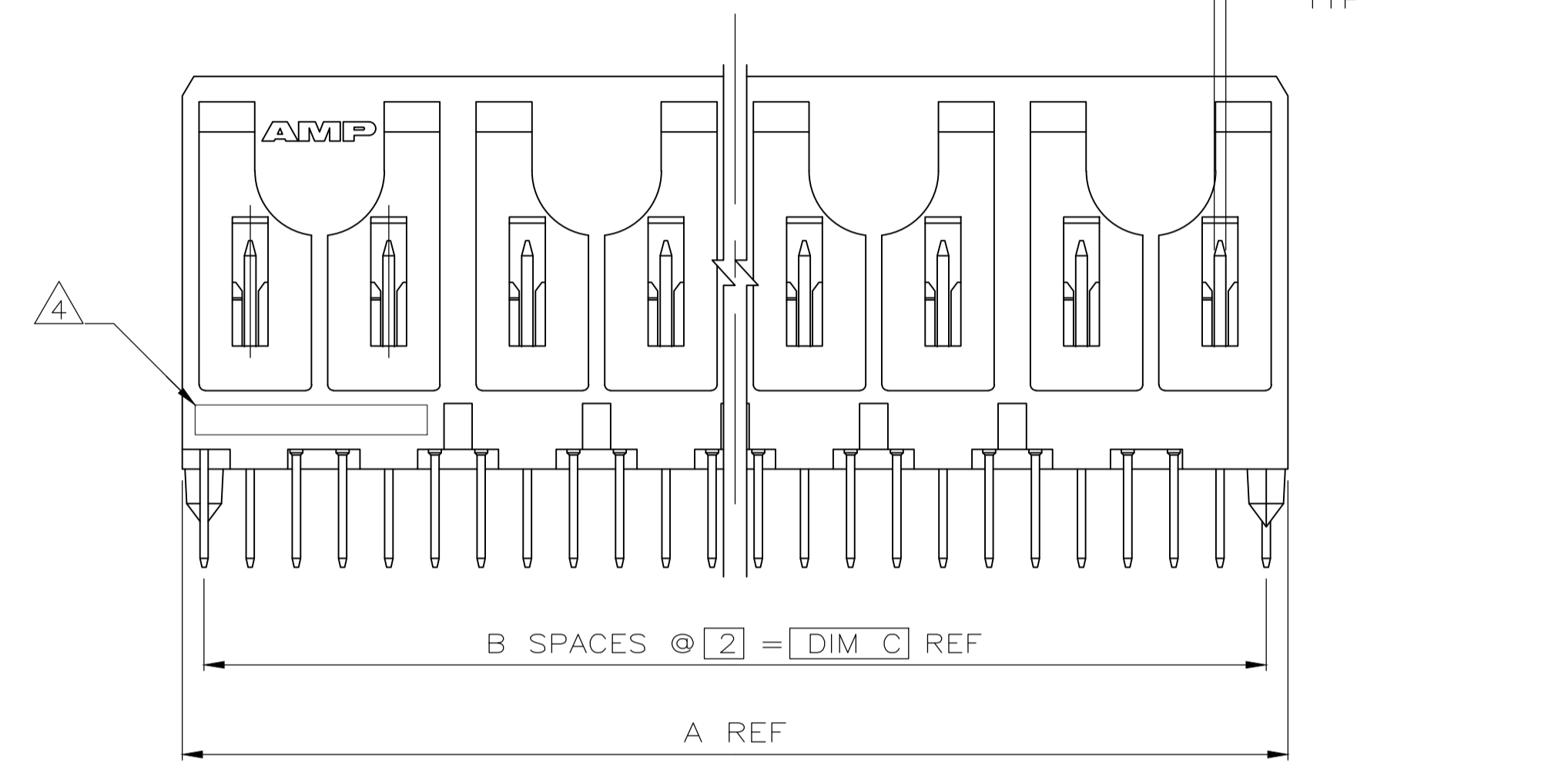


LOC		DIST		REVISIONS			
ES	00	REV	DATE	DESCRIPTION	DATE	BY	APPV
		J	13MAR15	REVISED PER ECO-15-003999		D.S	F.Y
		K	13MAY19	REVISED PER ECO-19-007187		D.S	H.L



- 1 HOUSING MATERIAL: LIQUID CRYSTAL POLYMER
COLOR: NATURAL.
- 2 CONTACT MATERIAL: PHOSPHOR BRONZE
- 3 CONTACT FINISH:
UNDERPLATE (ENTIRE CONTACT):
0.00127 MIN NICKEL.
ON MATING SURFACES:
CONFORMS TO ALL TESTING SPECIFIED FOR TELCORDIA
UNCONTROLLED ENVIRONMENT.
ON LEADS
0.00381 MIN TIN-LEAD OVER UNDERPLATE.
LUBRICATION (ENTIRE CONTACT):
SURFACE CONDITIONER PER AMP SPEC 112-1002 AFTER PLATING.
- 4 PART MARKING LOCATED APPROXIMATELY AS SHOWN.
- 5 OBSOLETE PARTS: OBSOLETE CIS STREAMLINING
PER D.RENAUD/D.SINISI



RECOMMENDED CIRCUIT PATTERN (COMPONENT SIDE)

REV	DESCRIPTION	DATE	BY	APPV	NO OF SIGNAL POSN	PART NUMBER
5	OBSOLETE	130	65	131.88	330	4-223000-1
	OBSOLETE	118	59	119.88	300	1-223000-0
5	OBSOLETE	106	53	107.88	270	223000-9
5	SUPERSEDED BY 5223000-8	94	47	95.88	240	223000-8
5	OBSOLETE	82	41	83.88	210	223000-7
	SUPERSEDED	70	35	71.88	180	223000-6
		58	29	59.88	150	223000-5
	OBSOLETE	46	23	47.88	120	223000-4
		34	17	35.88	90	223000-3
	OBSOLETE	22	11	23.88	60	223000-2
		10	5	11.88	30	223000-1

THIS DRAWING IS A CONTROLLED DOCUMENT.

APPROVED: R. BUCHHEISTER 10/JAN/96
CHK: D. BAECHTLE 11/JAN/96
APPROVED: D. SINISI 11/JAN/96

TE Connectivity

ASSEMBLY, PIN, SIGNAL, VERTICAL, Z-PACK 2mm FB, 5 ROW, SOLDER LEAD

SIZE: A1 CAGE CODE: 00779 DRAWING NO: 223000

MATERIAL: FINISH: CUSTOMER DRAWING

SCALE: 4:1 SHEET: 1 OF 1 REV: K

X-ON Electronics

Largest Supplier of Electrical and Electronic Components

Click to view similar products for [High Speed/Modular Connectors](#) category:

Click to view products by [TE Connectivity](#) manufacturer:

Other Similar products are found below :

[650827-1](#) [74040-1346](#) [1410191-1](#) [1410368-3](#) [1410964-2](#) [1410326-3](#) [1410367-3](#) [1410971-4](#) [1467833-1](#) [2000877-1](#) [2000878-1](#) [2041314-1](#)
[2065387-1](#) [2187307-1](#) [163P](#) [1934290-1](#) [2000875-1](#) [2065917-1](#) [2102736-2](#) [FSR-40](#) [2169868-2](#) [22354-8](#) [437-5040-000](#) [5-1393565-0](#) [039-](#)
[0246-000](#) [0740618502](#) [0761601016](#) [0784461022](#) [10123159-12ELF](#) [030-2415-003/100 PK](#) [030-7380-004](#) [030-2494-001](#) [532939-1](#) [5532901-](#)
[3](#) [3-1469268-7](#) [74748-102LF](#) [10041743-101LF](#) [10066670-100002LF](#) [1-533915-1](#) [249-4515-000](#) [7-1469373-3](#) [DL2-2J/S](#) [2000713-8](#)
[2000713-7](#) [10124313-101LF](#) [3011-21](#) [757105208](#) [EBTF-4-10-2.0-S-RA-1](#) [430305-001](#) [4395800100](#)