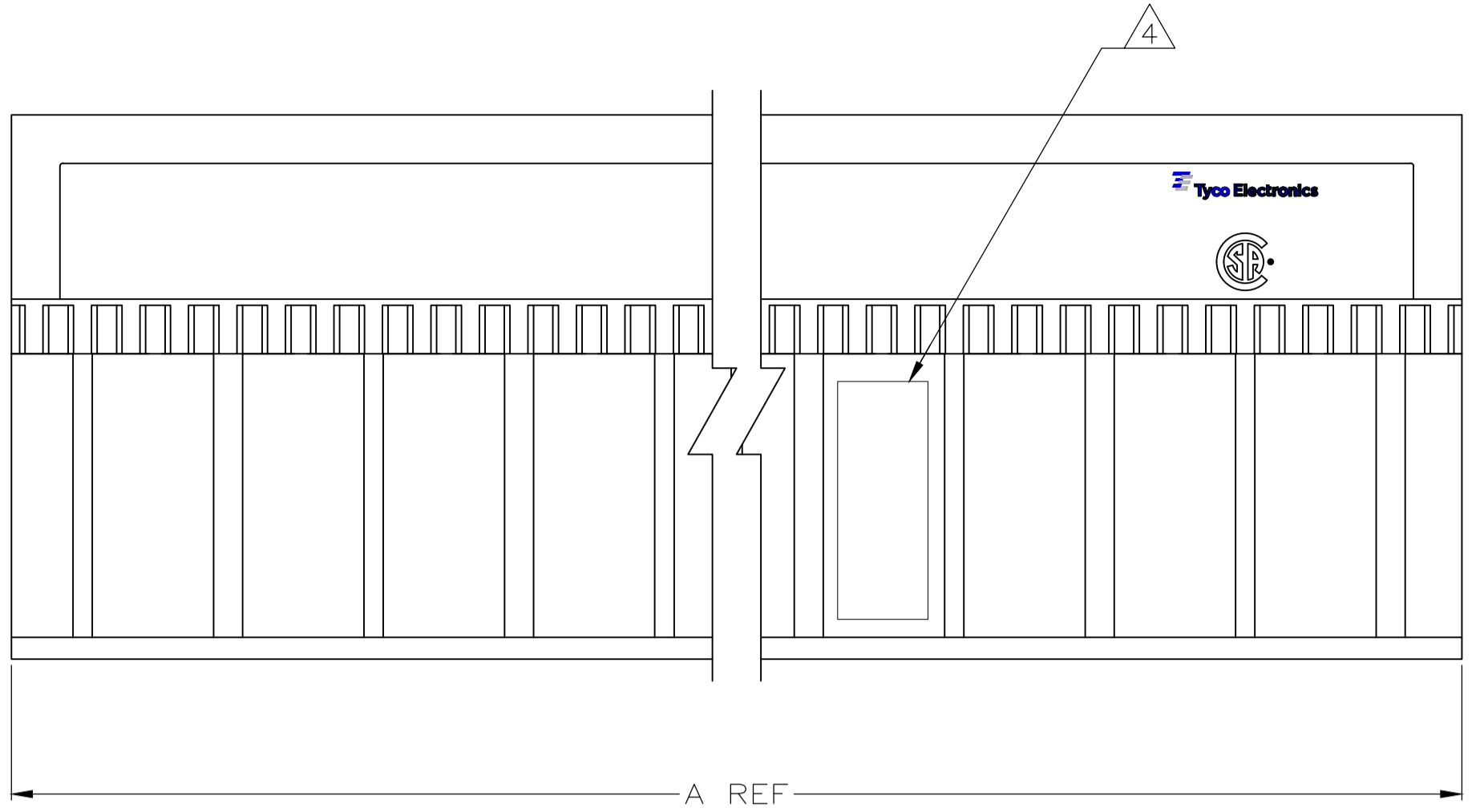
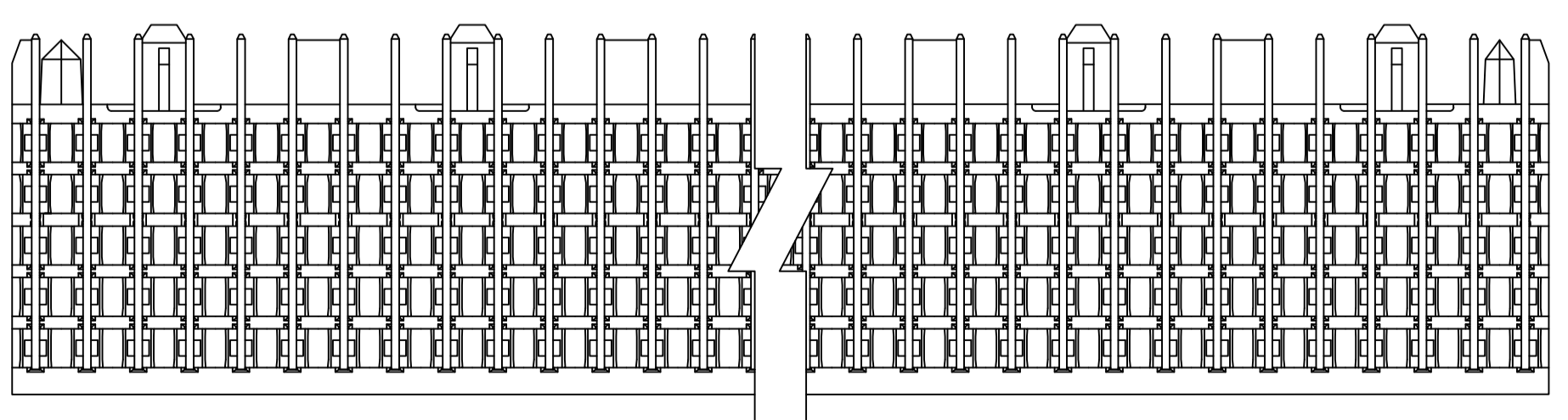
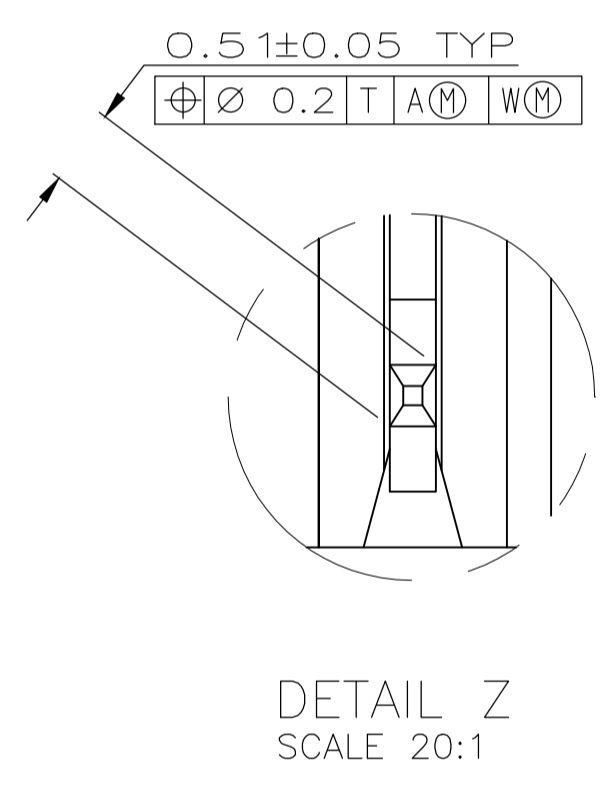
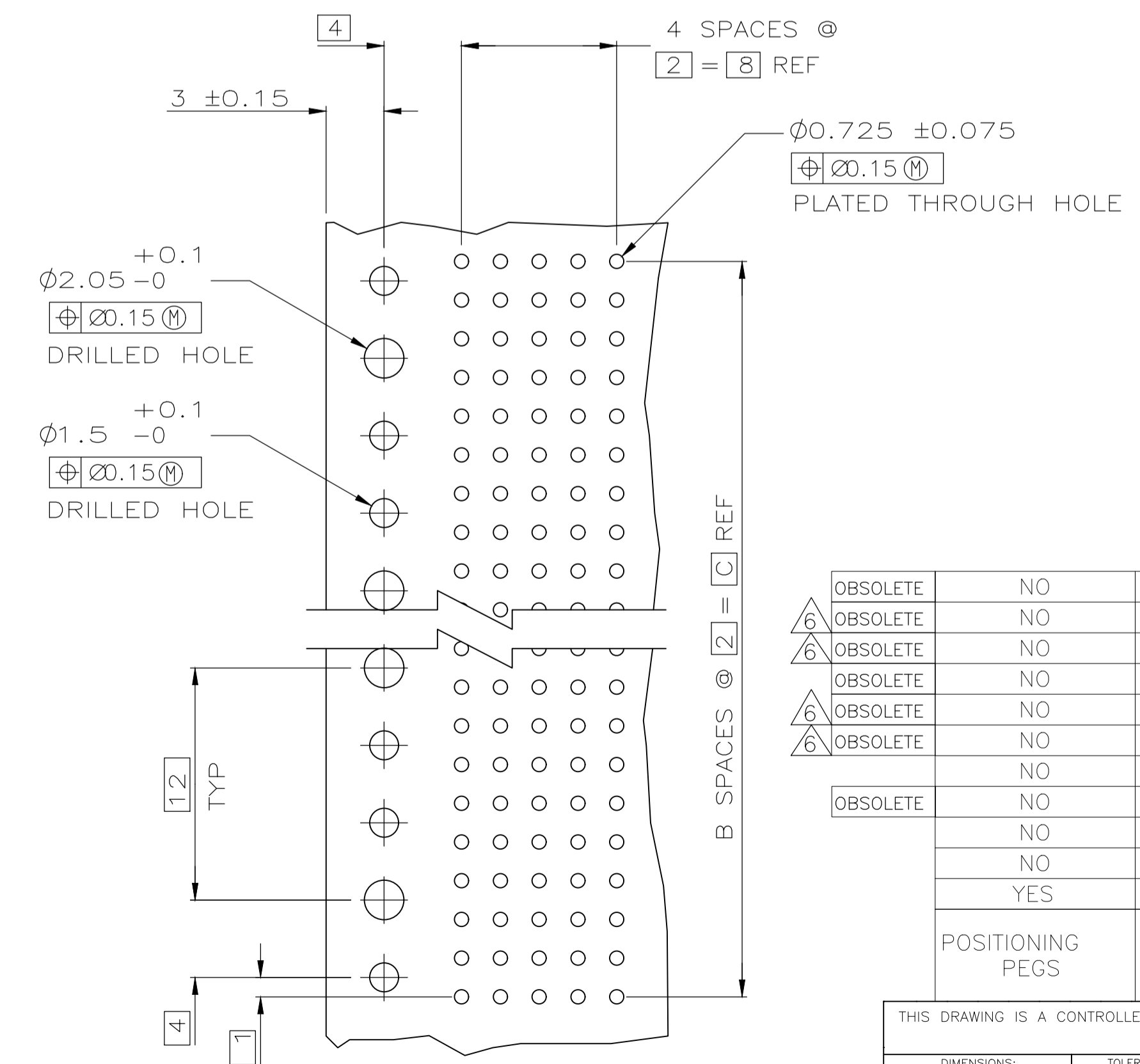
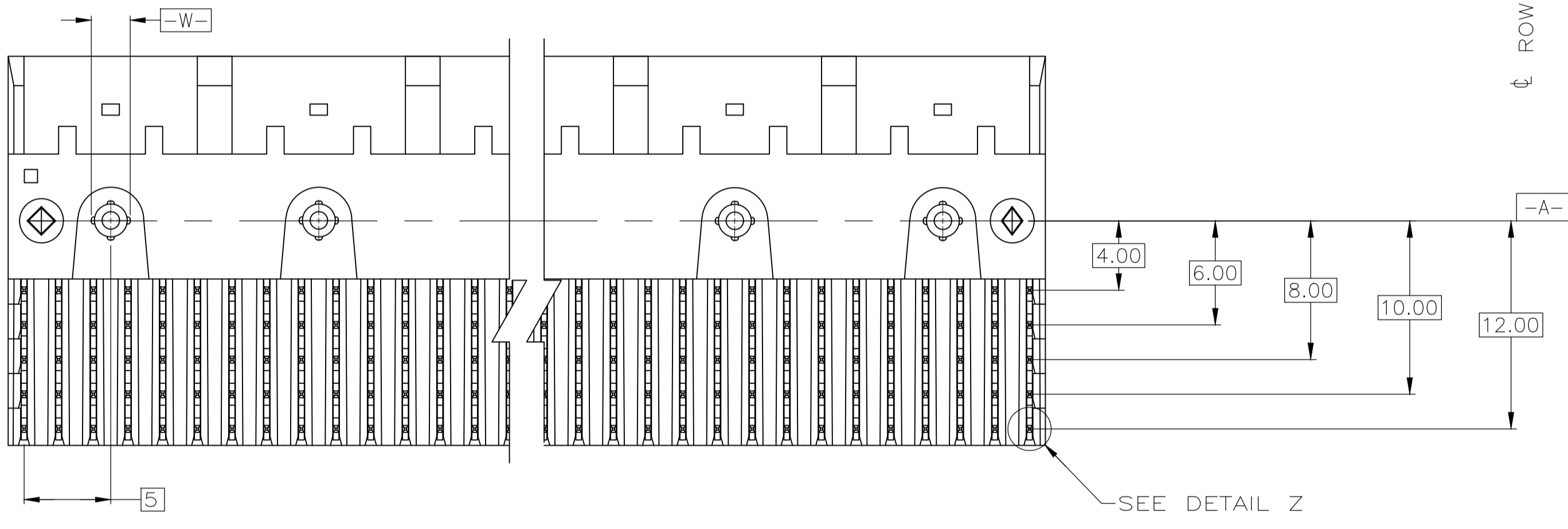
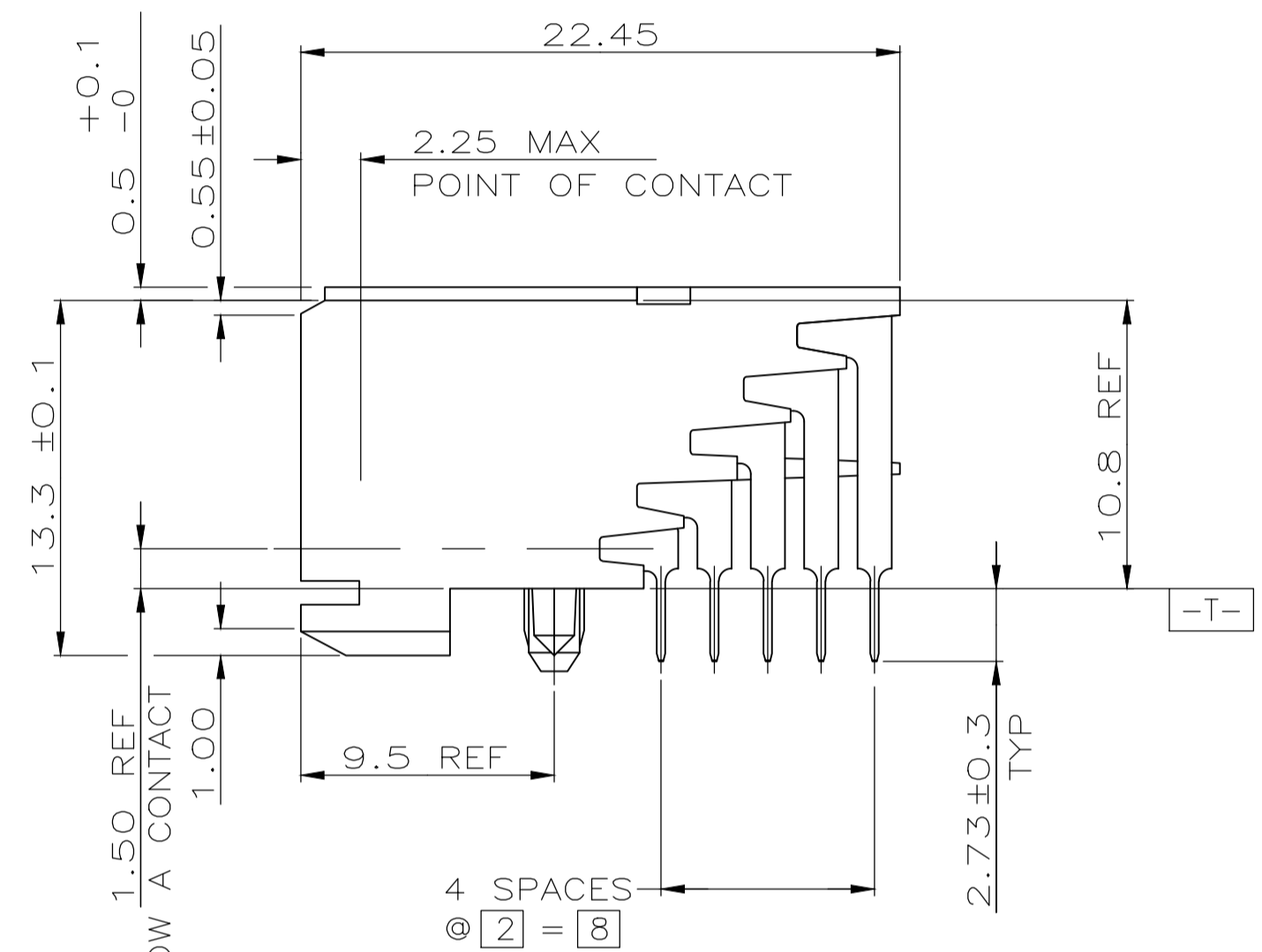
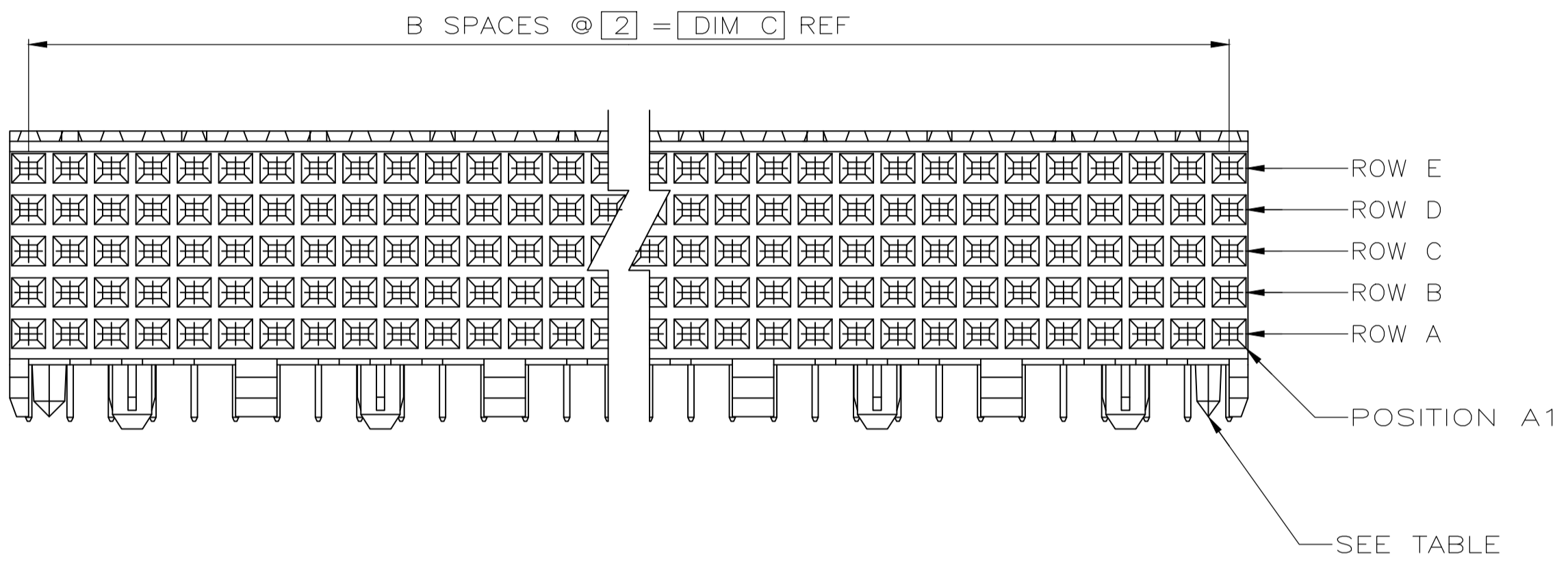


REVISIONS					
P	LTR	DESCRIPTION	DATE	DMN	APVD
M3		REVISED PER ECO-20-013368	28SEP2020	RZ	HL



- ① HOUSING MATERIAL: LIQUID CRYSTAL POLYMER  
COLOR: NATURAL.
- ② CONTACT MATERIAL: PHOSPHOR-BRONZE.
- ③ CONTACT FINISH:  
UNDERPLATE (ENTIRE CONTACT):  
0.00127 MIN NICKEL.  
ON MATING SURFACES:  
CONFORMS TO ALL TESTING SPECIFIED FOR TELCORDIA UNCONTROLLED ENVIRONMENT.  
ON LEADS  
0.00381 MIN TIN-LEAD OVER UNDERPLATE.  
LUBRICATION (ENTIRE CONTACT):  
SURFACE CONDITIONER PER AMP SPEC 112-1002 AFTER PLATING.
- ④ PART MARKING LOCATED APPROXIMATELY AS SHOWN.
- ⑥ OBSOLETE PARTS: OBSOLETE CIS STREAMLINING PER D.RENAUD/D.SINISI



OBsolete	NO	130	65	131.88	③	330	1-223004-1
⑥	NO	118	59	119.88	③ ③	300	1-223004-0
⑥	NO	106	53	107.88	③	270	223004-9
⑥	NO	94	47	95.88	③ ③	240	223004-8
⑥	NO	82	41	83.88	③	210	223004-7
⑥	NO	70	35	71.88	③ ③	180	223004-6
	NO	58	29	59.88	③	150	223004-5
⑥	NO	46	23	47.88	③ ③	120	223004-4
	NO	34	17	35.88	③	90	223004-3
	NO	22	11	23.88	③ ③	60	223004-2
	YES	10	3	11.88	③	30	223004-1
POSITIONING PEGS	C	B	A	FINISH	NO OF SIGNAL POSN	PART NUMBER	

RECOMMENDED CIRCUIT PATTERN  
PER IPC-D300 TYPE II, CLASS C  
(COMPONENT SIDE)

THIS DRAWING IS A CONTROLLED DOCUMENT.

APPROVED: D. SINISI 08/FEB/96

TE Connectivity

ASSEMBLY, RECEPTACLE, SIGNAL, RIGHT ANGLE, Z-PACK 2mm FB, 5 ROW, SOLDER LEAD

SIZE: A1 00779 C=223004

SCALE: 4:1 SHEET: 1 OF 1 REV: M3

## X-ON Electronics

Largest Supplier of Electrical and Electronic Components

*Click to view similar products for [High Speed/Modular Connectors](#) category:*

*Click to view products by [TE Connectivity](#) manufacturer:*

Other Similar products are found below :

[2332816-1](#) [89006-1137LF](#) [650827-1](#) [65762-001LF](#) [73474-201LF](#) [74040-1346](#) [74075-0267](#) [1410191-1](#) [1410337-1](#) [1410368-3](#) [1410964-2](#)  
[1410367-3](#) [1410971-4](#) [1467833-1](#) [2000877-1](#) [2000878-1](#) [2041314-1](#) [2065387-1](#) [2187307-1](#) [2187462-1](#) [91290-101LF](#) [163P](#) [1934290-1](#)  
[2000875-1](#) [2065917-1](#) [2102736-2](#) [FSR-40](#) [2169868-2](#) [22354-8](#) [437-5040-000](#) [5-1393565-0](#) [532449-3](#) [532803-2](#) [34745-0001](#) [1-1393708-5](#)  
[73774-1000](#) [532939-1](#) [5-531355-3](#) [85838-180LF](#) [HM1S43TRR460H6PLF](#) [0760205010](#) [0782341022](#) [1-966831-4](#) [3-1469268-7](#) [77427-121LF](#)  
[74748-102LF](#) [10009542-001LF](#) [73983-A001LF](#) [10041743-101LF](#) [10066670-100002LF](#)