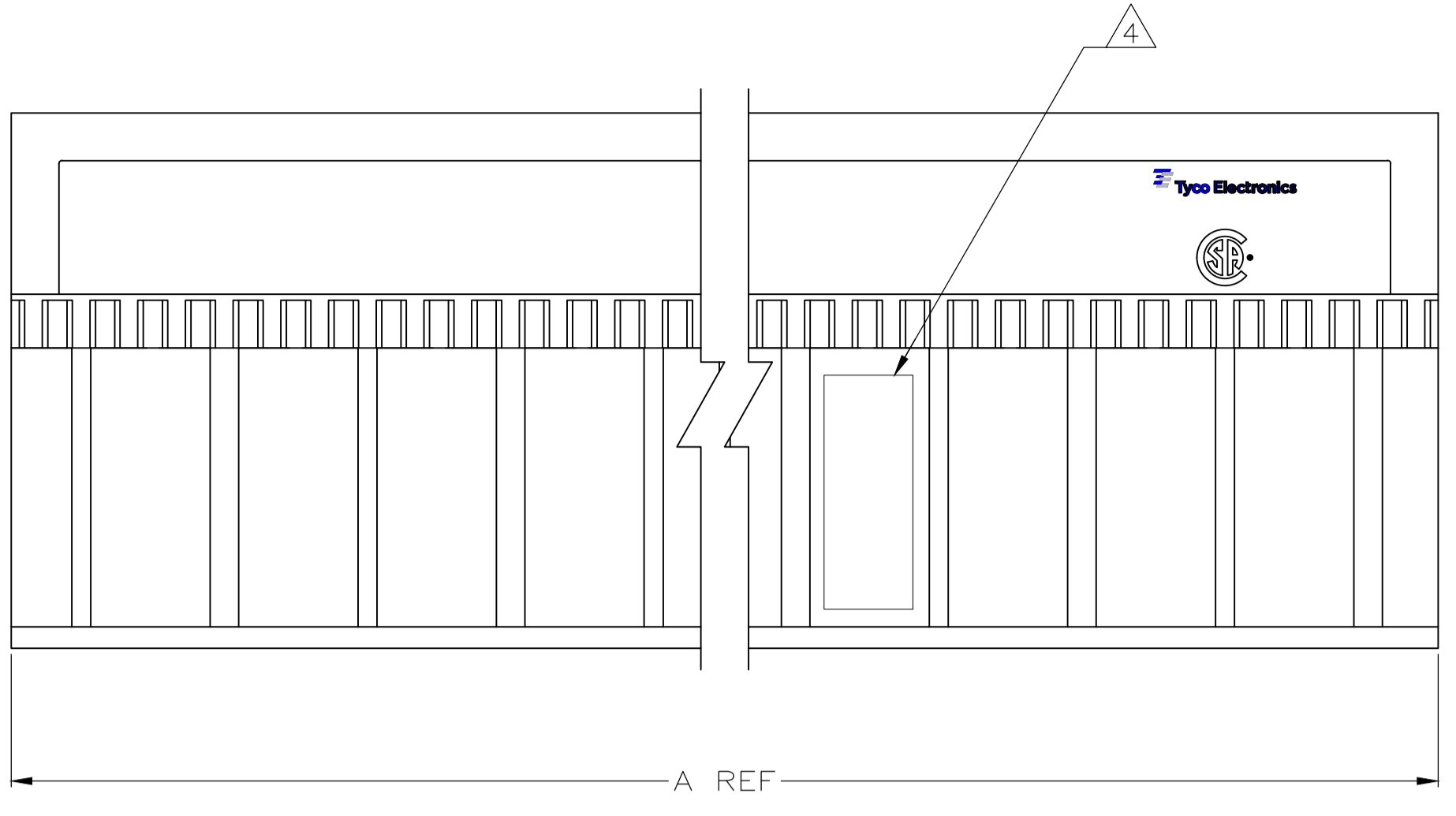
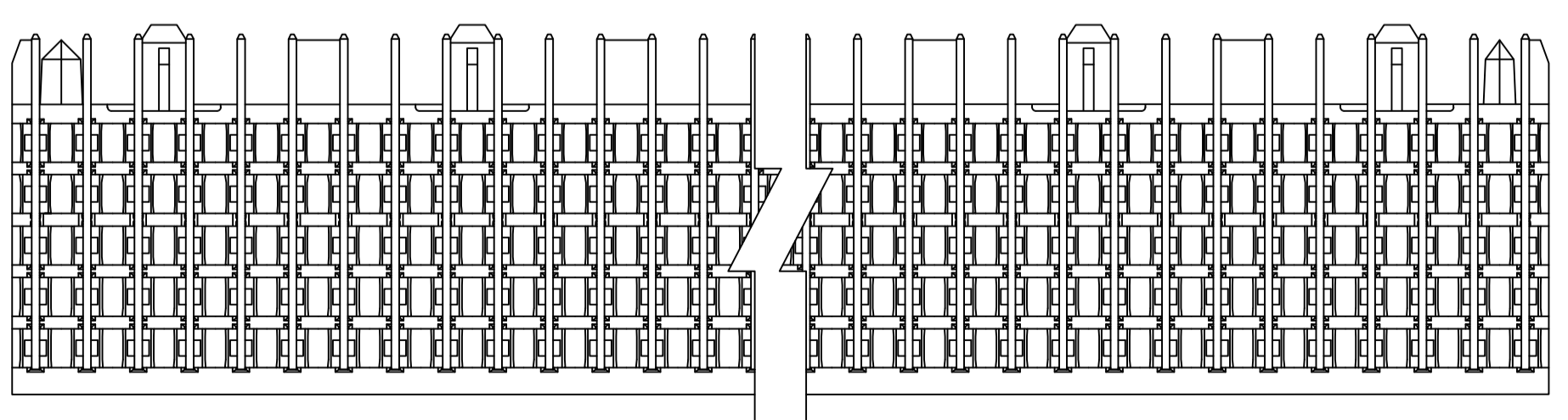
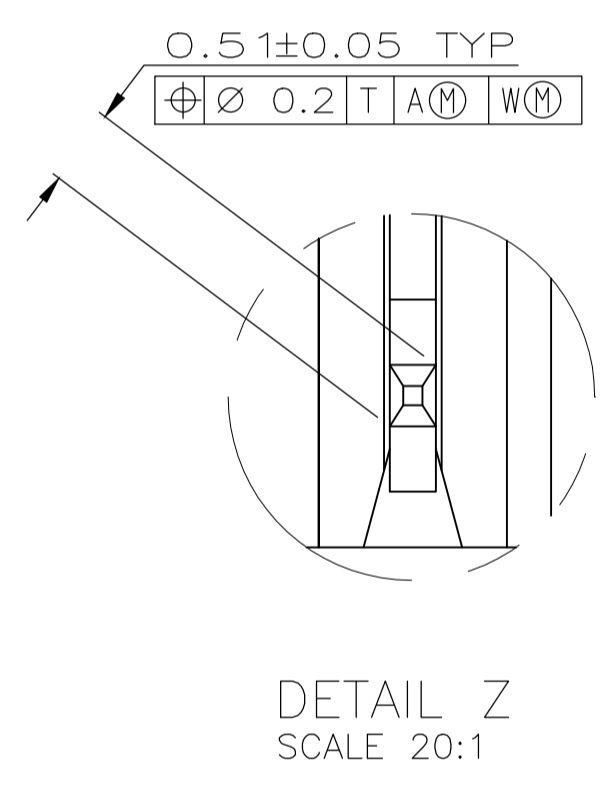
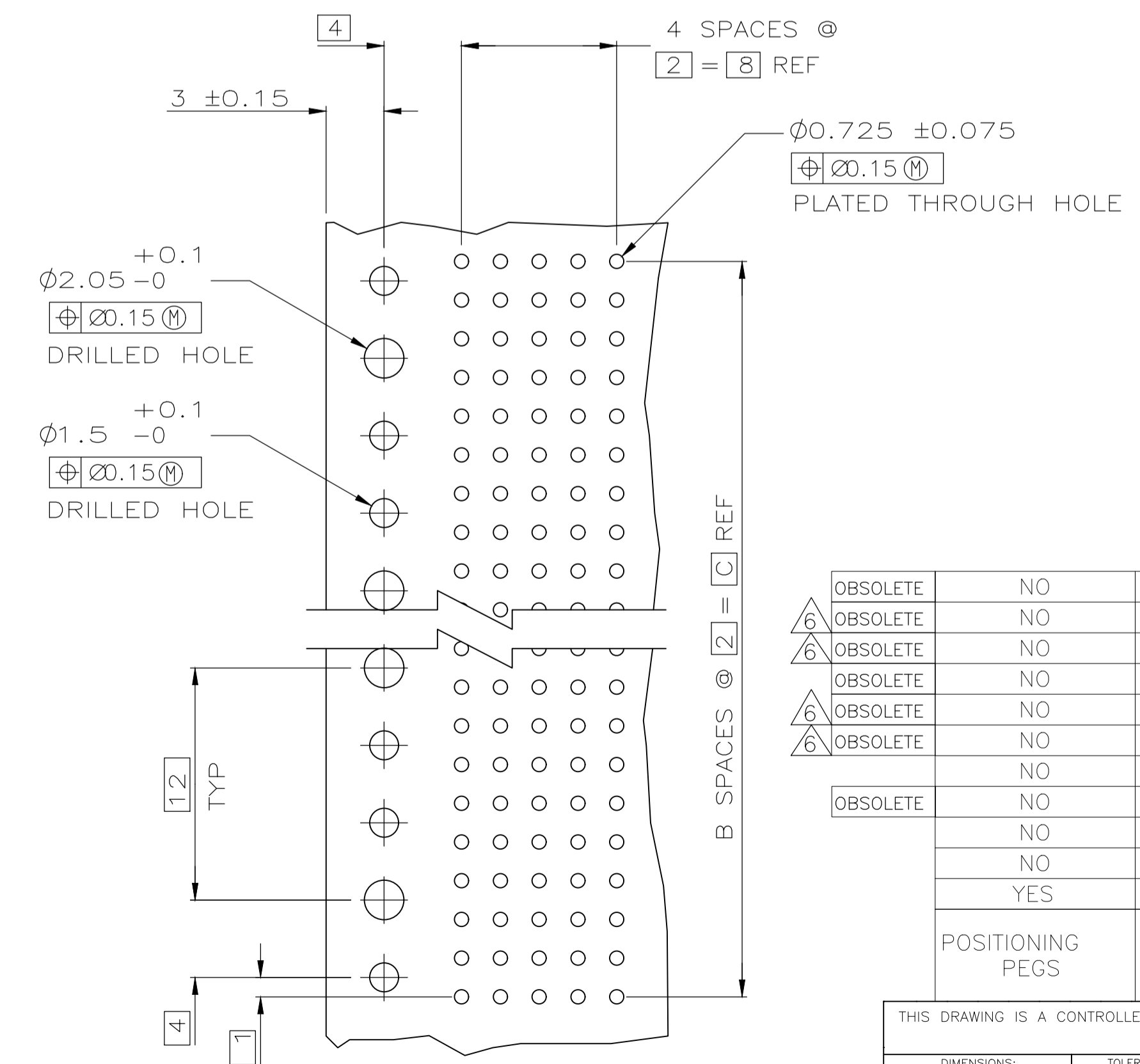
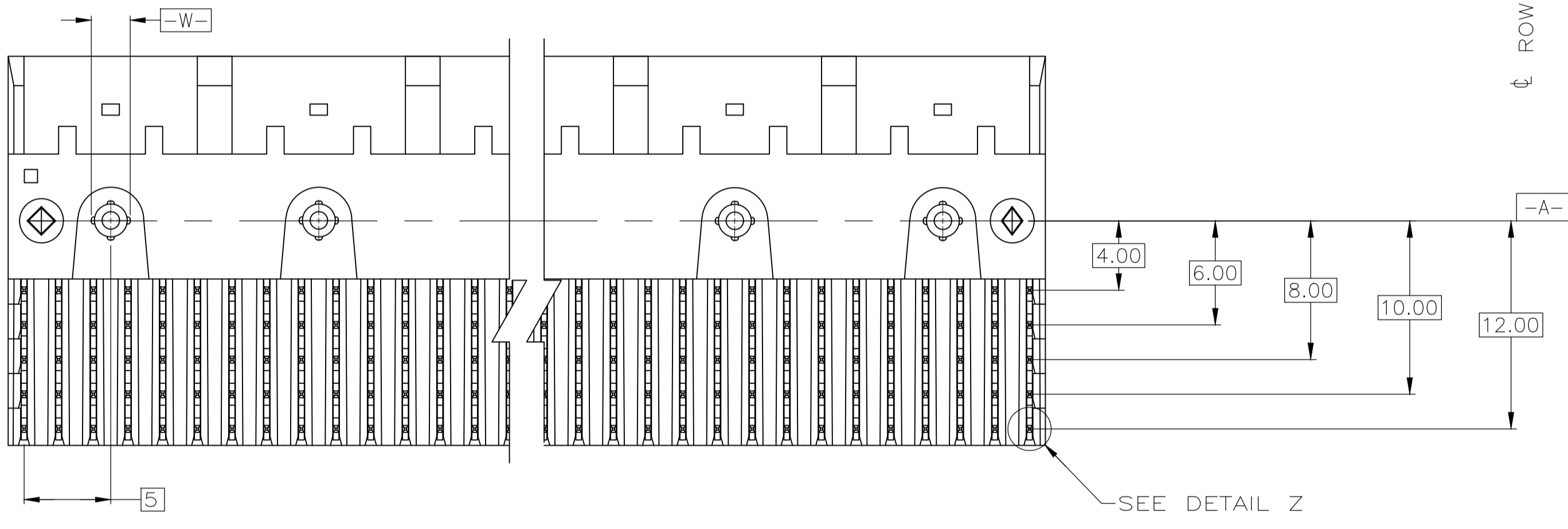
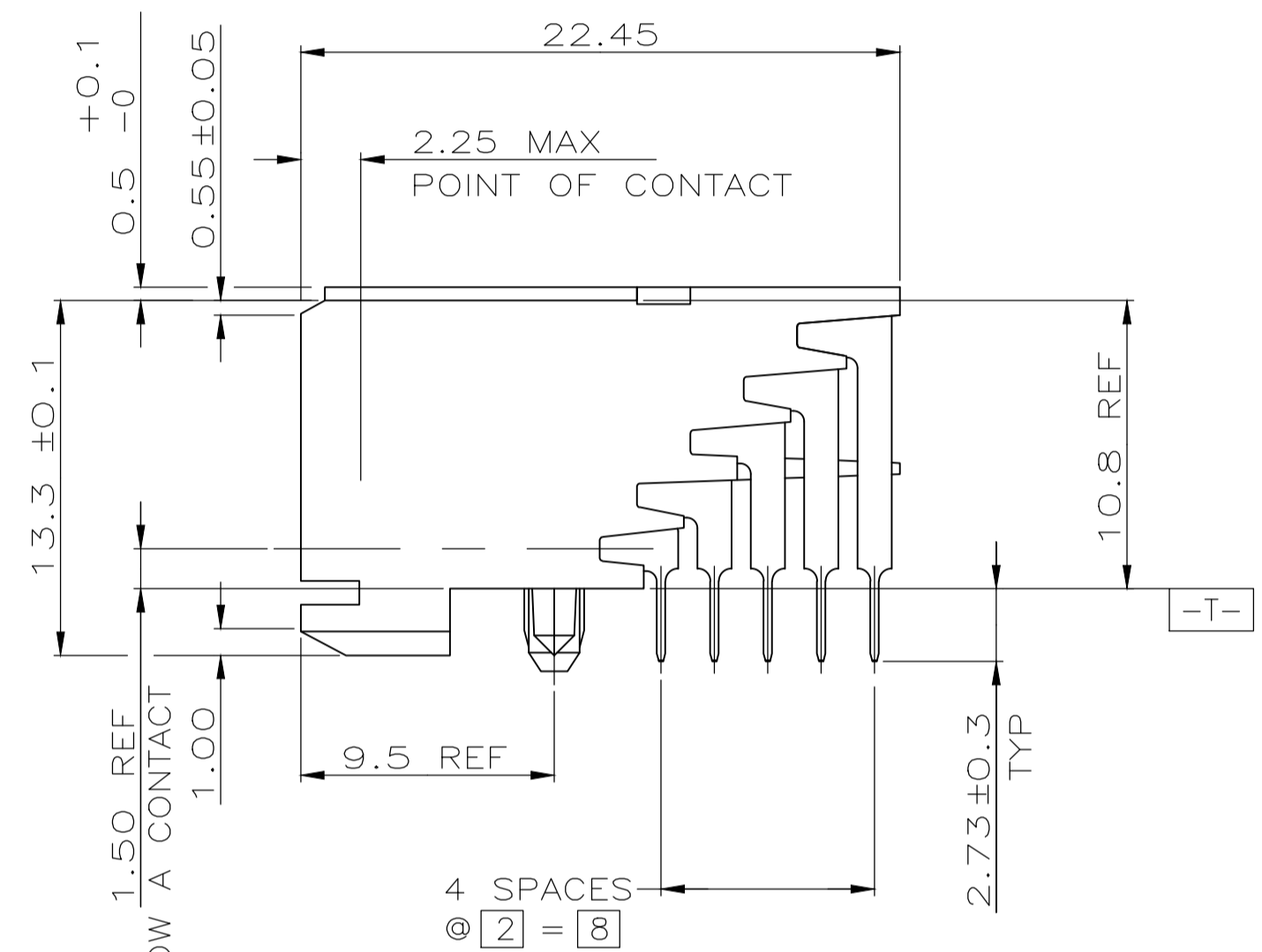
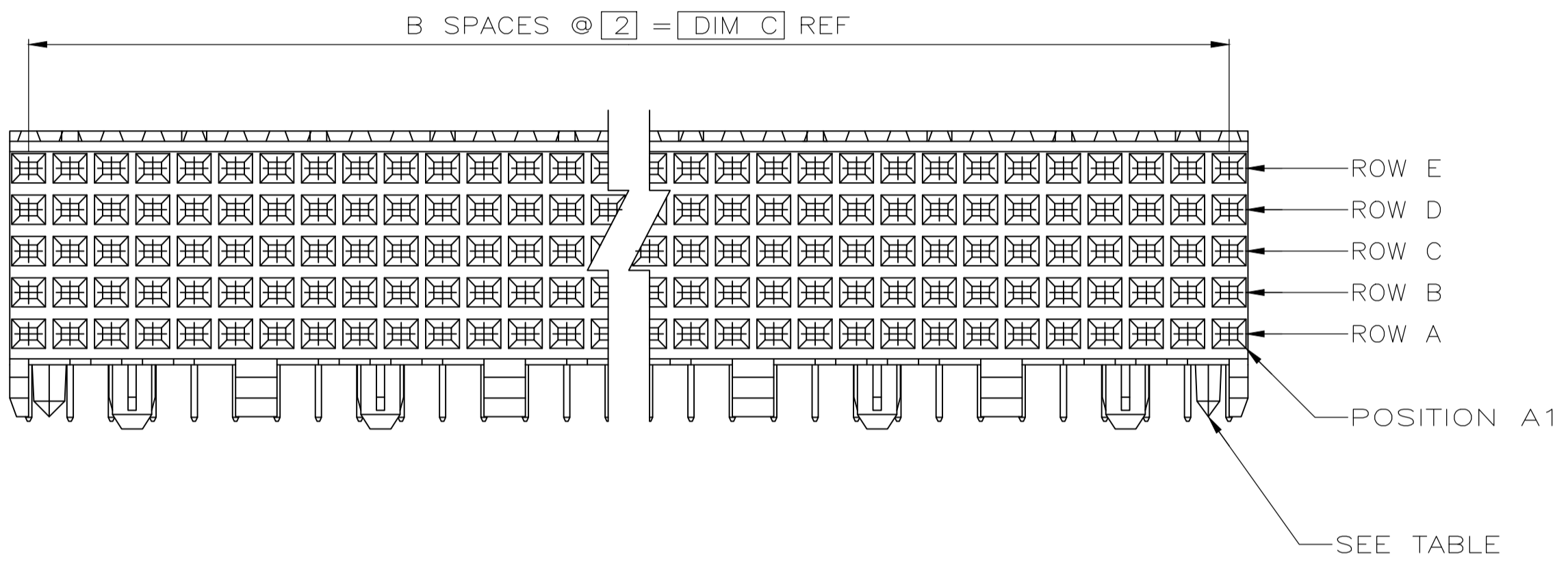


REVISIONS					
P	LTR	DESCRIPTION	DATE	DMN	APVD
M3		REVISED PER ECO-20-013368	28SEP2020	RZ	HL



- ① HOUSING MATERIAL: LIQUID CRYSTAL POLYMER
COLOR: NATURAL.
- ② CONTACT MATERIAL: PHOSPHOR-BRONZE.
- ③ CONTACT FINISH:
UNDERPLATE (ENTIRE CONTACT):
0.00127 MIN NICKEL.
ON MATING SURFACES:
CONFORMS TO ALL TESTING SPECIFIED FOR TELCORDIA
UNCONTROLLED ENVIRONMENT.
ON LEADS
0.00381 MIN TIN-LEAD OVER UNDERPLATE.
LUBRICATION (ENTIRE CONTACT):
SURFACE CONDITIONER PER AMP SPEC 112-1002 AFTER PLATING.
- ④ PART MARKING LOCATED APPROXIMATELY AS SHOWN.
- ⑤ OBSOLETE PARTS: OBSOLETE CIS STREAMLINING PER D.RENAUD/D.SINISI



⑤ OBSOLETE	NO	130	65	131.88	③	330	1-223004-1
⑤ OBSOLETE	NO	118	59	119.88	③	300	1-223004-0
⑤ OBSOLETE	NO	106	53	107.88	③	270	223004-9
⑤ OBSOLETE	NO	94	47	95.88	③	240	223004-8
⑤ OBSOLETE	NO	82	41	83.88	③	210	223004-7
⑤ OBSOLETE	NO	70	35	71.88	③	180	223004-6
⑤ OBSOLETE	NO	58	29	59.88	③	150	223004-5
⑤ OBSOLETE	NO	46	23	47.88	③	120	223004-4
⑤ OBSOLETE	NO	34	17	35.88	③	90	223004-3
⑤ OBSOLETE	NO	22	11	23.88	③	60	223004-2
⑤ OBSOLETE	YES	10	3	11.88	③	30	223004-1
POSITIONING PEGS		C	B	A	FINISH	NO OF SIGNAL POSN	PART NUMBER

RECOMMENDED CIRCUIT PATTERN
PER IPC-D300 TYPE II, CLASS C
(COMPONENT SIDE)

THIS DRAWING IS A CONTROLLED DOCUMENT.

APPROVED: D. SINISI	DATE: 08/FEB/96	NAME: ASSEMBLY, RECEPTACLE, SIGNAL, RIGHT ANGLE, Z-PACK 2mm FB, 5 ROW, SOLDER LEAD
DESIGNED: R. BUCHHEISTER	DATE: 07/FEB/96	SIZE: A1
CHECKED: D. BAECHTLE	DATE: 08/FEB/96	SCALE: 4:1
APPLICATION SPEC: --	WEIGHT: 0.000000	SHEET: 1 OF 1
MATERIAL: ① ②	FINISH: ③ ⑤	CUSTOMER DRAWING

STE TE Connectivity

X-ON Electronics

Largest Supplier of Electrical and Electronic Components

Click to view similar products for [Barrier Terminal Blocks](#) category:

Click to view products by [TE Connectivity](#) manufacturer:

Other Similar products are found below :

[6C1N03](#) [6PCR-02-008](#) [6PCR-05-008](#) [6PCR-08-008](#) [6PCR-21-006](#) [6PCV-06-008](#) [6PCV-10-009](#) [6PCV-15-008](#) [6STR-06-006](#) [6STR-08-006](#)
[6STR-12-008](#) [6STR-14-008](#) [6STR-16-008](#) [6STR-17-008](#) [6STR-21-008](#) [6STR-25-008](#) [6STR-27-008](#) [6STV-03-006](#) [6STV-03-008](#) [6STV-04-006](#) [6STV-10-006](#) [6WWR-03](#) [6WWV-12-008](#) [6WWV-16-008](#) [7-1546701-0](#) [72212603](#) [72503-C](#) [72504-C-50](#) [73203](#) [76007](#) [7604-501LF](#)
[77010-50](#) [796985-3](#) [796988-4](#) [7C1N08](#) [8-1437402-5](#) [8-1437402-7](#) [8-1546158-0](#) [870505](#) [870903](#) [8PCR-06-006](#) [8PCV-02-008](#) [8PCV-05-008](#)
[8PCV-09-006](#) [8PCV-15-006](#) [8PCV-17-006](#) [8QCR-03-008](#) [8STV-04-006](#) [9-1437402-3](#) [A103104](#)