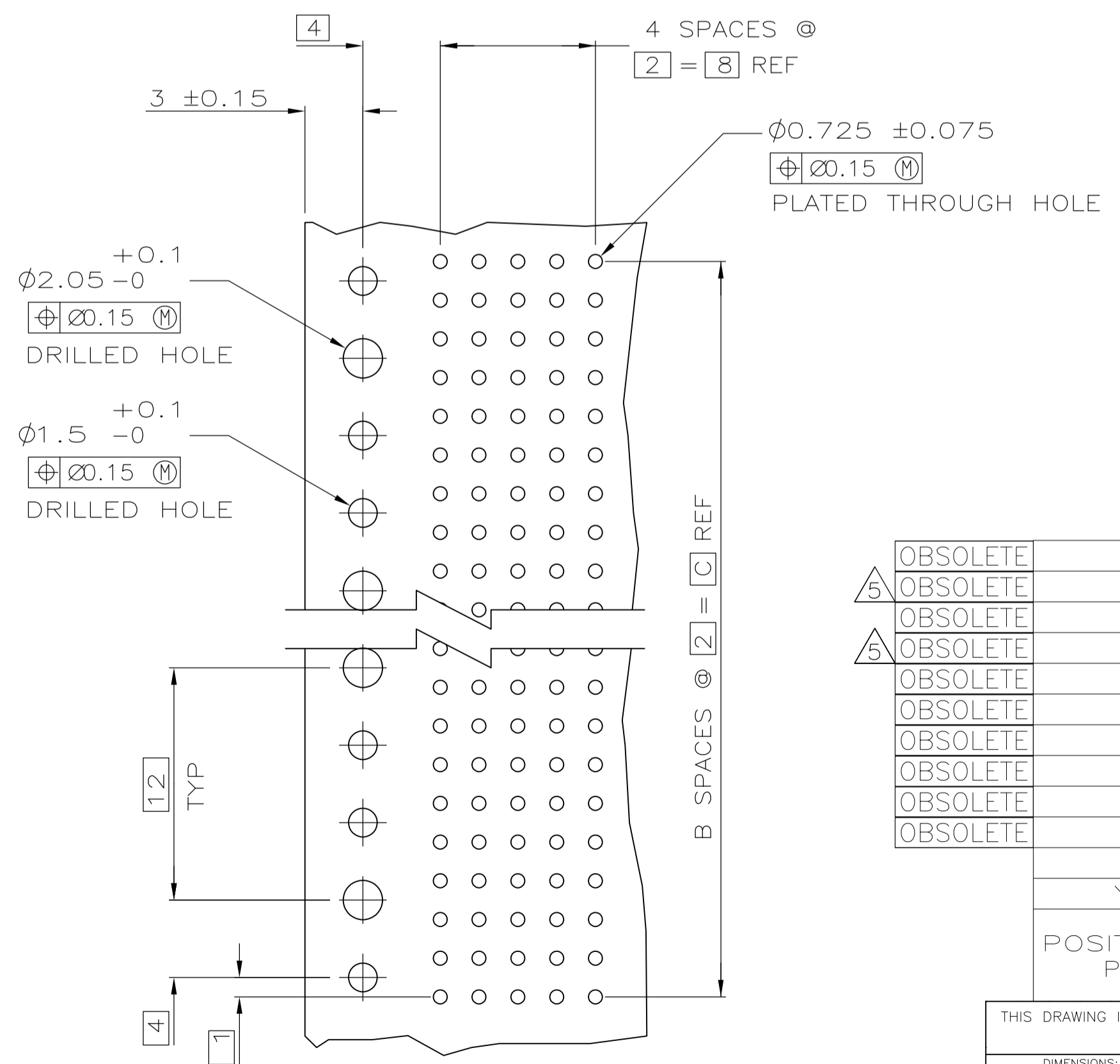
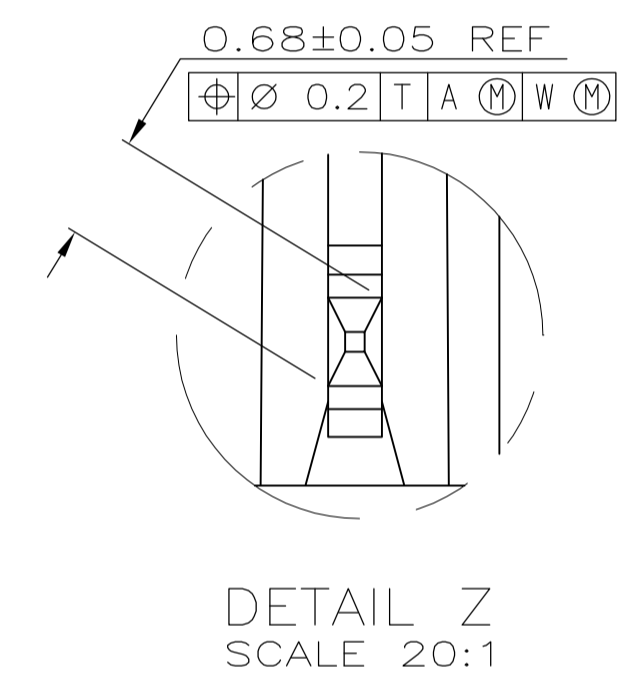
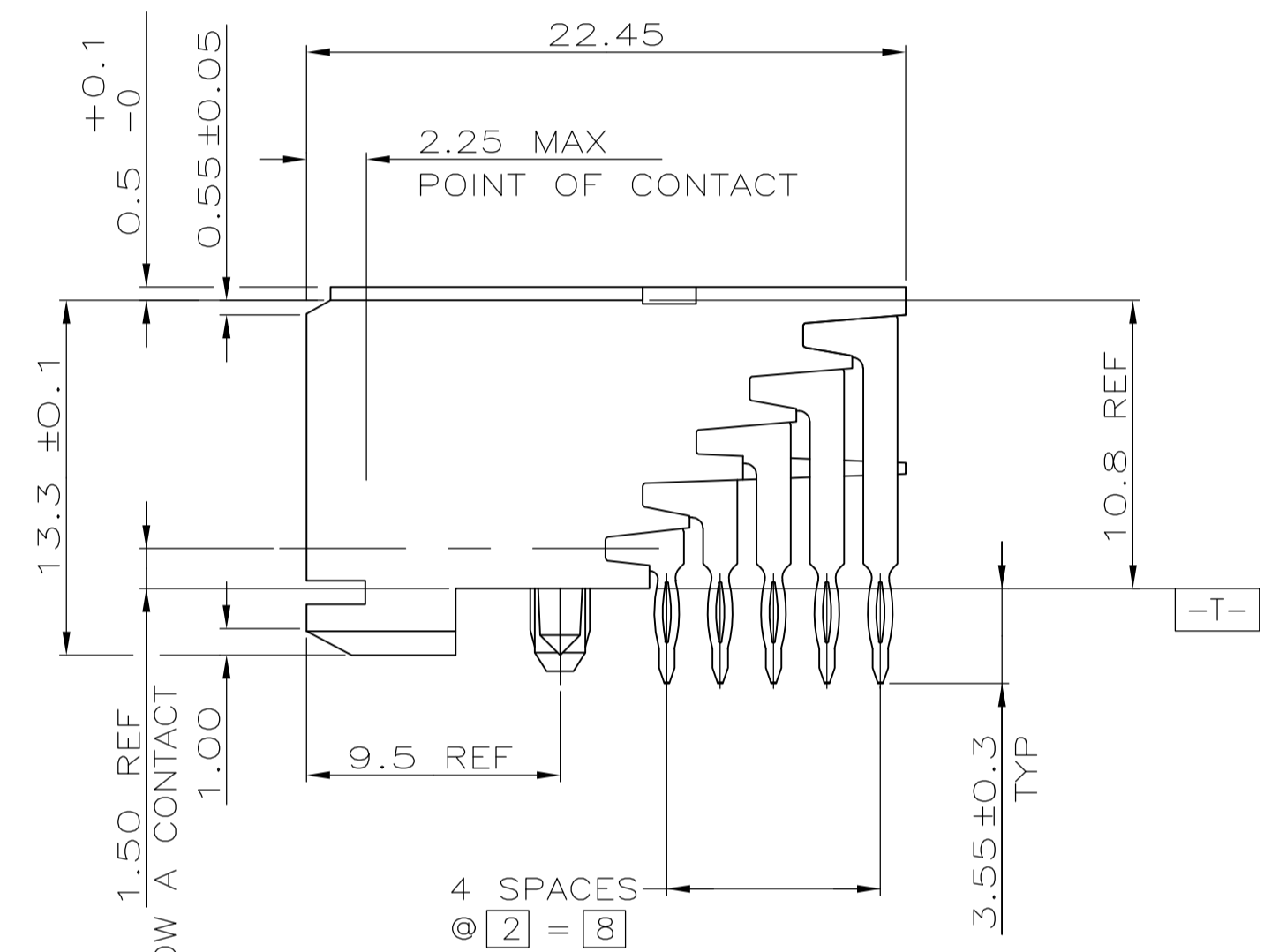


- ① HOUSING MATERIAL: LIQUID CRYSTAL POLYMER  
COLOR: NATURAL.
- ② CONTACT MATERIAL: PHOSPHOR-BRONZE.
- ③ CONTACT FINISH:  
UNDERPLATE (ENTIRE CONTACT):  
0.00127 MIN NICKEL.  
ON MATING SURFACES:  
CONFORMS TO ALL TESTING SPECIFIED FOR TELCORDIA  
UNCONTROLLED ENVIRONMENT.  
ON LEADS  
0.0006 MIN TIN-LEAD OVER UNDERPLATE.  
LUBRICATION (ENTIRE CONTACT):  
SURFACE CONDITIONER PER AMP SPEC 112-1002 AFTER PLATING.
- ④ PART MARKING LOCATED APPROXIMATELY AS SHOWN.
- ⑤ OBSOLETE PARTS: OBSOLETE CIS STREAMLINING PER D.RENAUD/D.SINISI



	OBSOLETE	NO	214	107	215.88	③	540	1-223008-2
⑤	OBSOLETE	NO	130	65	131.88	③	330	1-223008-4
	OBSOLETE	NO	118	59	119.88	③	300	1-223008-0
⑤	OBSOLETE	NO	106	53	107.88	③	270	223008-9
	OBSOLETE	NO	94	47	95.88	③	240	223008-8
	OBSOLETE	NO	82	41	83.88	③	210	223008-7
	OBSOLETE	NO	70	35	71.88	③	180	223008-6
	OBSOLETE	NO	58	29	59.88	③	150	223008-5
	OBSOLETE	NO	46	23	47.88	③	120	223008-4
	OBSOLETE	NO	34	17	35.88	③	90	223008-3
	OBSOLETE	NO	22	11	23.88	③	60	223008-2
	YES		10	5	11.88	③	30	223008-1
	POSITIONING PEGS		C	B	A	FINISH	NO OF SIGNAL POSN	PART NUMBER

RECOMMENDED CIRCUIT PATTERN  
PER IPC-D300 TYPE II, CLASS C  
(COMPONENT SIDE)

THIS DRAWING IS A CONTROLLED DOCUMENT.

DIMENSIONS: mm	TOLERANCES UNLESS OTHERWISE SPECIFIED:	DIN R BUCHHEISTER 08/FEB/96	CHK D BAECHTLE 08/FEB/96	APVD D SINISI 08/FEB/96	NAME	
0 PLC ± -	1 PLC ± -	2 PLC ± 0.13	3 PLC ± -	4 PLC ± -	ANGLES ± -	
MATERIAL	FINISH	WEIGHT	SIZE	CAGE CODE	DRAWING NO	RESTRICTED TO
① ②	③		A1	00779	C=223008	
CUSTOMER DRAWING		SCALE	4:1	SHEET	1 of 1	REV

STE TE Connectivity

ASSEMBLY, RECEPTACLE, SIGNAL, RIGHT ANGLE, Z-PACK 2mm FB, 5 ROW, PRESS FIT LEAD

## X-ON Electronics

Largest Supplier of Electrical and Electronic Components

*Click to view similar products for [High Speed/Modular Connectors](#) category:*

*Click to view products by [TE Connectivity](#) manufacturer:*

Other Similar products are found below :

[650827-1](#) [74040-1346](#) [1410191-1](#) [1410368-3](#) [1410964-2](#) [1410326-3](#) [1410367-3](#) [1410971-4](#) [1467833-1](#) [2000877-1](#) [2000878-1](#) [2041314-1](#)  
[2065387-1](#) [2187307-1](#) [163P](#) [1934290-1](#) [2000875-1](#) [2065917-1](#) [2102736-2](#) [FSR-40](#) [2169868-2](#) [22354-8](#) [437-5040-000](#) [5-1393565-0](#) [039-](#)  
[0246-000](#) [0761601016](#) [0784461022](#) [10123159-12ELF](#) [030-2415-003/100 PK](#) [030-7380-004](#) [030-2494-001](#) [532939-1](#) [5532901-3](#) [3-1469268-](#)  
[7](#) [74748-102LF](#) [10041743-101LF](#) [10066670-100002LF](#) [1-533915-1](#) [249-4515-000](#) [7-1469373-3](#) [DL2-2J/S](#) [2000713-8](#) [2000713-7](#)  
[10124313-101LF](#) [3011-21](#) [757105208](#) [EBTF-4-10-2.0-S-RA-1](#) [430305-001](#) [4395800100](#) [8140115](#)