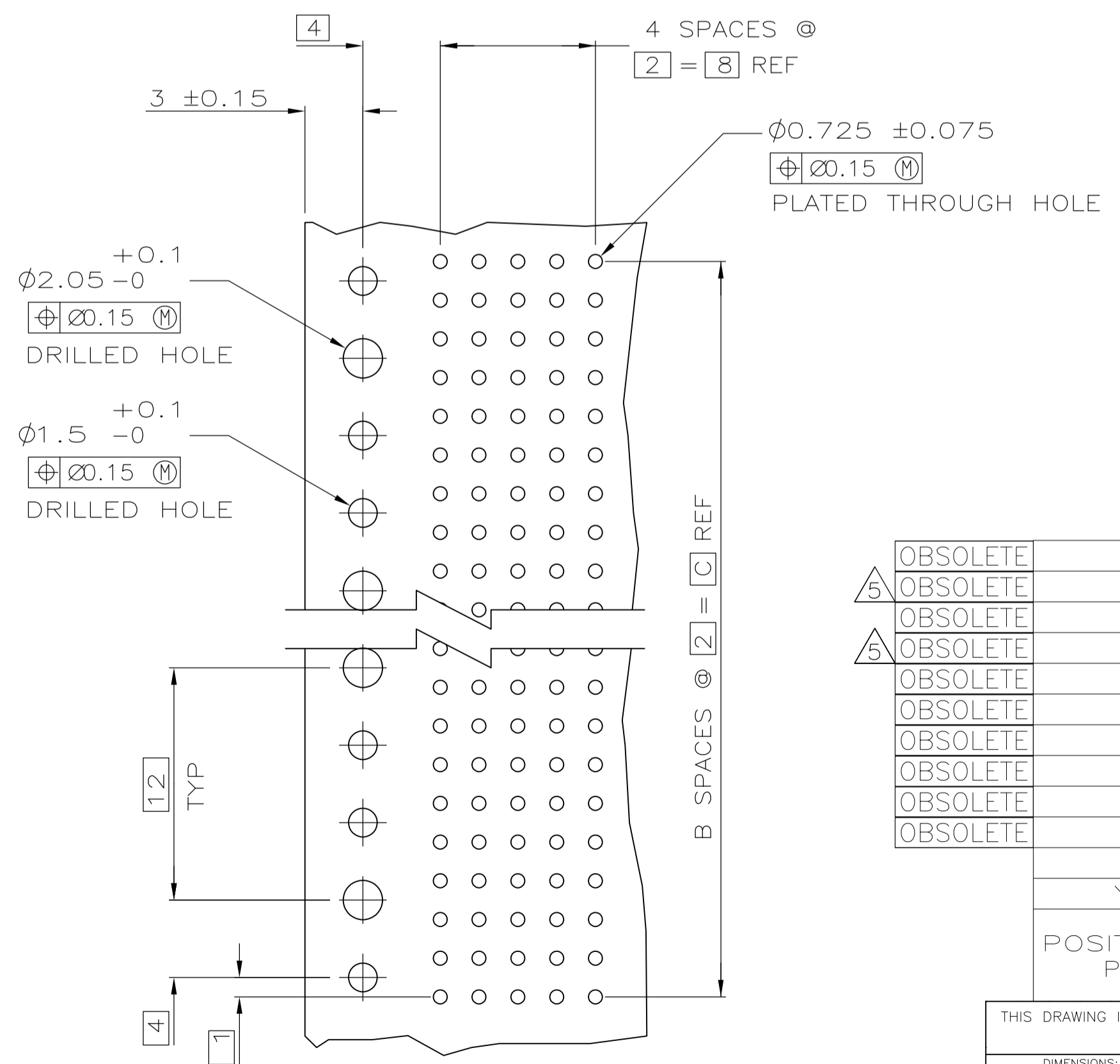
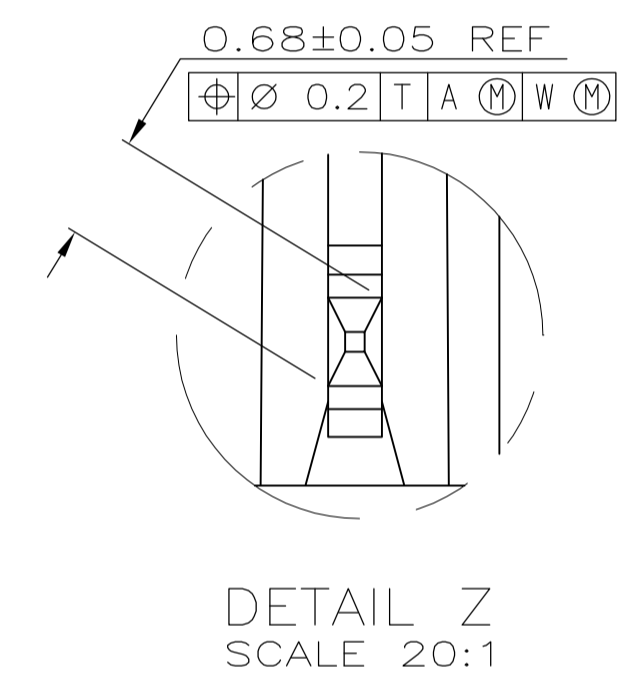
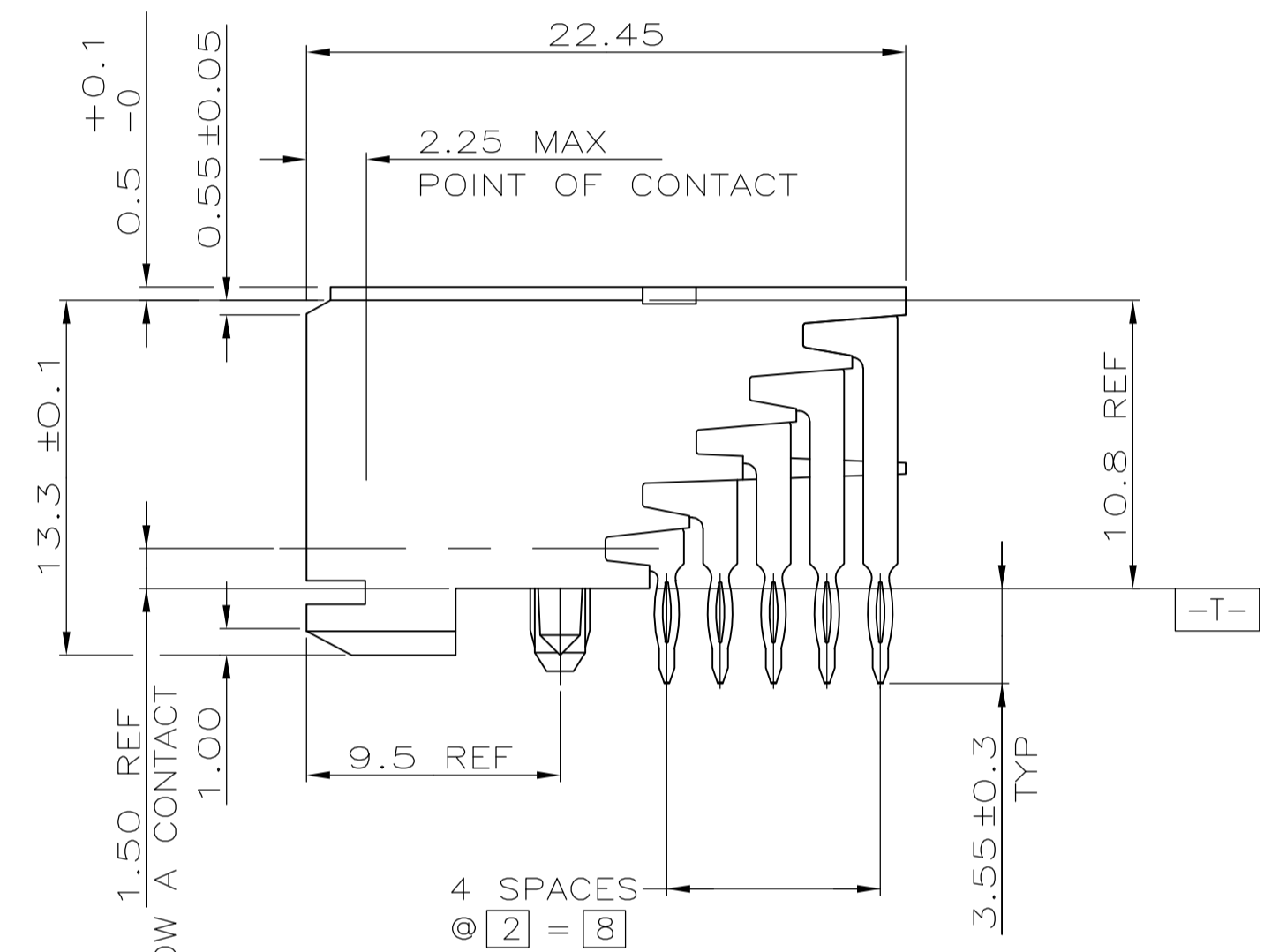


- ① HOUSING MATERIAL: LIQUID CRYSTAL POLYMER
COLOR: NATURAL.
- ② CONTACT MATERIAL: PHOSPHOR-BRONZE.
- ③ CONTACT FINISH:
UNDERPLATE (ENTIRE CONTACT):
0.00127 MIN NICKEL.
ON MATING SURFACES:
CONFORMS TO ALL TESTING SPECIFIED FOR TELCORDIA
UNCONTROLLED ENVIRONMENT.
ON LEADS
0.0006 MIN TIN-LEAD OVER UNDERPLATE.
LUBRICATION (ENTIRE CONTACT):
SURFACE CONDITIONER PER AMP SPEC 112-1002 AFTER PLATING.
- ④ PART MARKING LOCATED APPROXIMATELY AS SHOWN.
- ⑤ OBSOLETE PARTS: OBSOLETE CIS STREAMLINING PER D.RENAUD/D.SINISI



| | | | | | | | | |
|---|------------------|----|-----|-----|--------|--------|-------------------|-----------------------|
| | OBSOLETE | NO | 214 | 107 | 215.88 | ③ | 540 | 1-223008-2 |
| ⑤ | OBSOLETE | NO | 130 | 65 | 131.88 | ③ | 330 | 1-223008-4 |
| | OBSOLETE | NO | 118 | 59 | 119.88 | ③ | 300 | 1-223008-0 |
| ⑤ | OBSOLETE | NO | 106 | 53 | 107.88 | ③ | 270 | 223008-9 |
| | OBSOLETE | NO | 94 | 47 | 95.88 | ③ | 240 | 223008-8 |
| | OBSOLETE | NO | 82 | 41 | 83.88 | ③ | 210 | 223008-7 |
| | OBSOLETE | NO | 70 | 35 | 71.88 | ③ | 180 | 223008-6 |
| | OBSOLETE | NO | 58 | 29 | 59.88 | ③ | 150 | 223008-5 |
| | OBSOLETE | NO | 46 | 23 | 47.88 | ③ | 120 | 223008-4 |
| | OBSOLETE | NO | 34 | 17 | 35.88 | ③ | 90 | 223008-3 |
| | OBSOLETE | NO | 22 | 11 | 23.88 | ③ | 60 | 223008-2 |
| | YES | | 10 | 5 | 11.88 | ③ | 30 | 223008-1 |
| | POSITIONING PEGS | | C | B | A | FINISH | NO OF SIGNAL POSN | PART NUMBER |

RECOMMENDED CIRCUIT PATTERN
PER IPC-D300 TYPE II, CLASS C
(COMPONENT SIDE)

THIS DRAWING IS A CONTROLLED DOCUMENT.

| | | | | | | | |
|----------------|--|-----------|-----------|--------------|------------|---------------|------------|
| DIMENSIONS: mm | TOLERANCES UNLESS OTHERWISE SPECIFIED: | 0 PLC ± - | 1 PLC ± - | 2 PLC ± 0.13 | 3 PLC ± - | 4 PLC ± - | ANGLES ± - |
| MATERIAL | FINISH | WEIGHT | SIZE | CAGE CODE | DRAWING NO | RESTRICTED TO | |
| ① ② | ③ | - | A1 | 00779 | 223008 | - | |

CUSTOMER DRAWING SCALE 4:1 SHEET 1 OF 1 REV R

X-ON Electronics

Largest Supplier of Electrical and Electronic Components

Click to view similar products for [High Speed/Modular Connectors](#) category:

Click to view products by [TE Connectivity](#) manufacturer:

Other Similar products are found below :

[2332816-1](#) [89006-1137LF](#) [650827-1](#) [65762-001LF](#) [73474-201LF](#) [74040-1346](#) [74075-0267](#) [1410191-1](#) [1410337-1](#) [1410368-3](#) [1410964-2](#)
[1410367-3](#) [1410971-4](#) [1467833-1](#) [2000877-1](#) [2000878-1](#) [2041314-1](#) [2065387-1](#) [2187307-1](#) [2187462-1](#) [91290-101LF](#) [163P](#) [1934290-1](#)
[2000875-1](#) [2065917-1](#) [2102736-2](#) [FSR-40](#) [2169868-2](#) [22354-8](#) [437-5040-000](#) [5-1393565-0](#) [532449-3](#) [532803-2](#) [34745-0001](#) [1-1393708-5](#)
[73774-1000](#) [532939-1](#) [5-531355-3](#) [85838-180LF](#) [HM1S43TRR460H6PLF](#) [0760205010](#) [0782341022](#) [1-966831-4](#) [3-1469268-7](#) [77427-121LF](#)
[74748-102LF](#) [10009542-001LF](#) [73983-A001LF](#) [10041743-101LF](#) [10066670-100002LF](#)