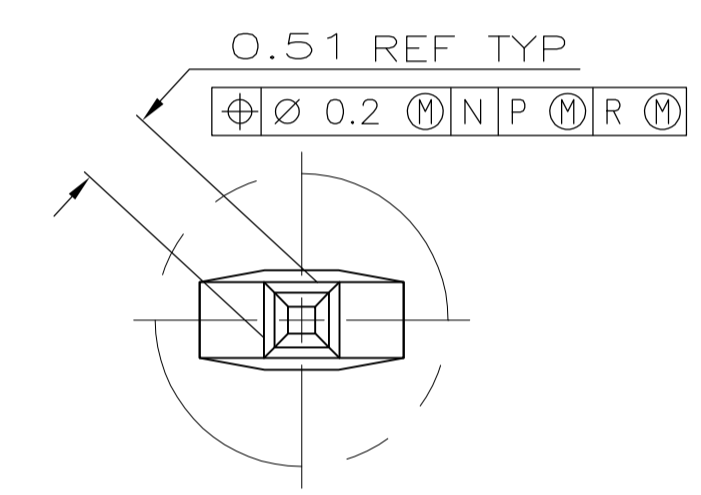
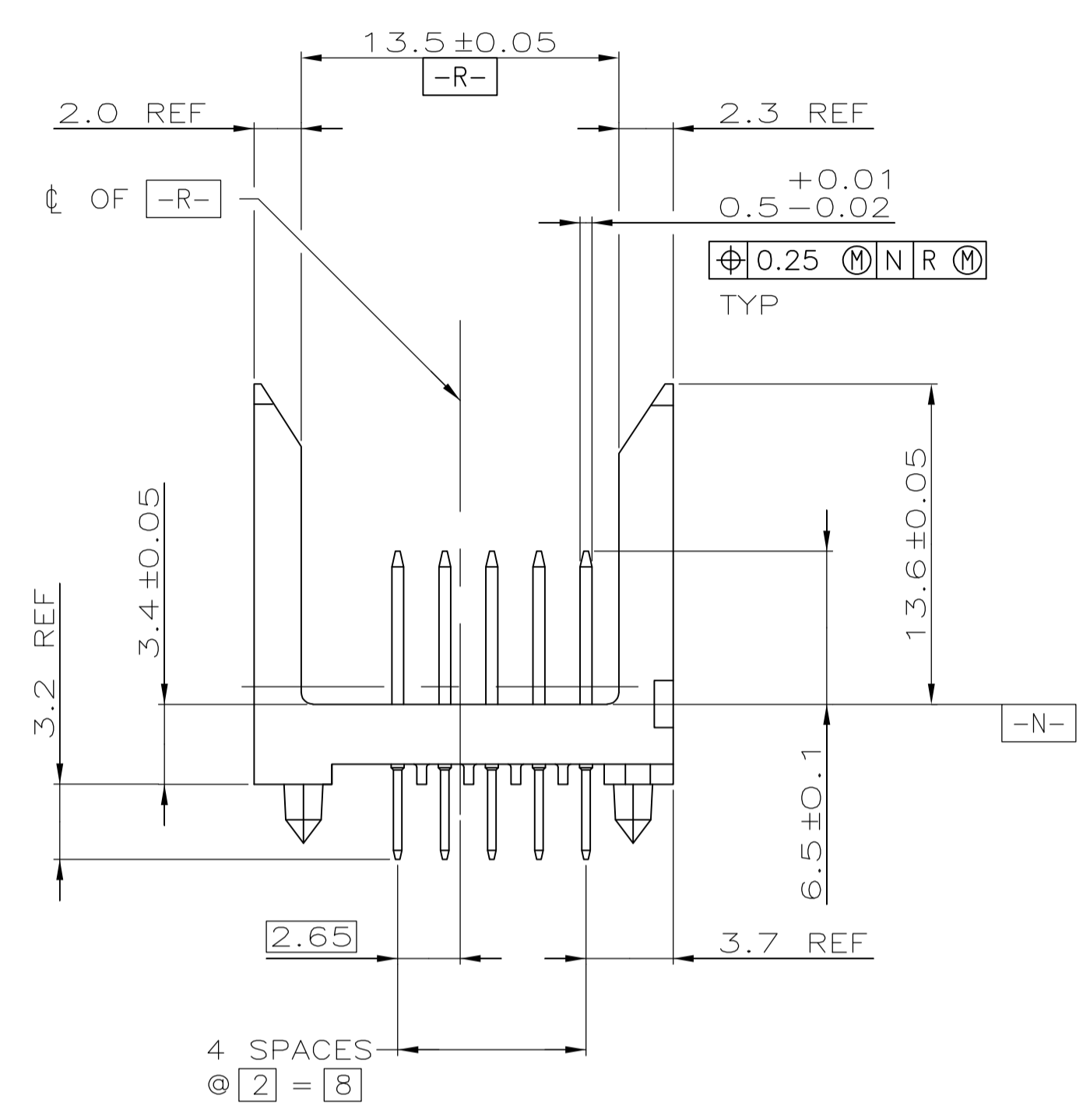
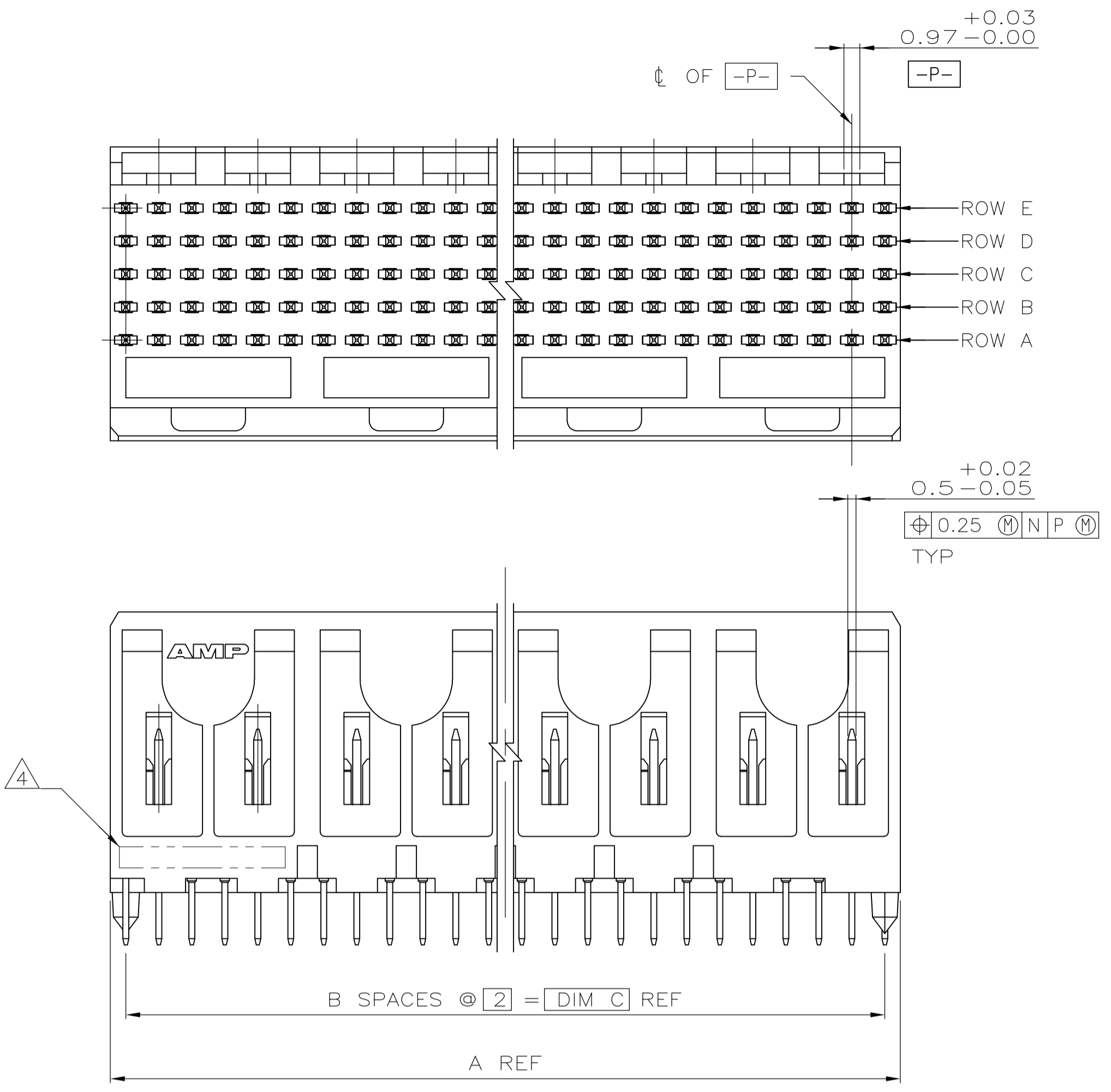
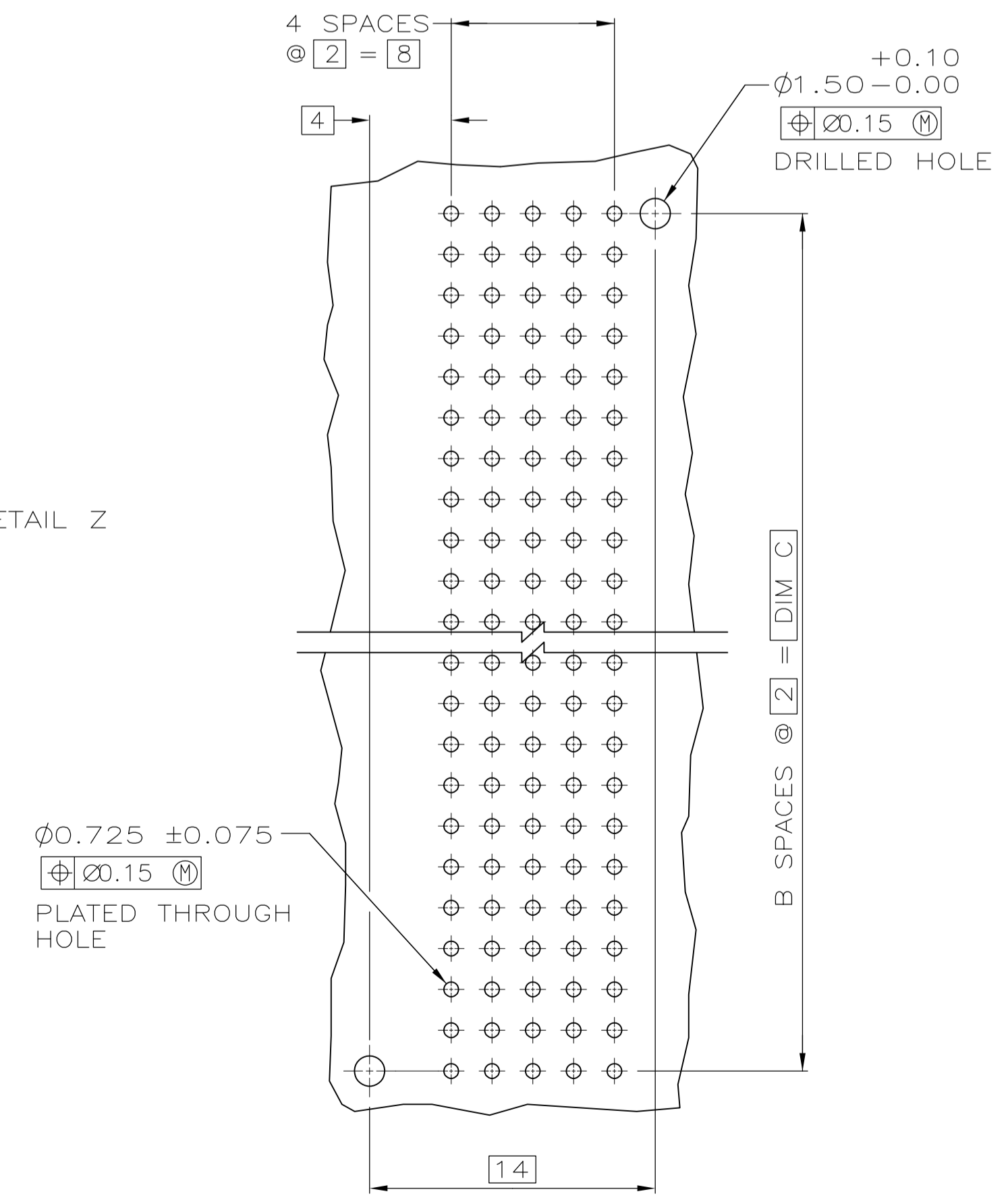
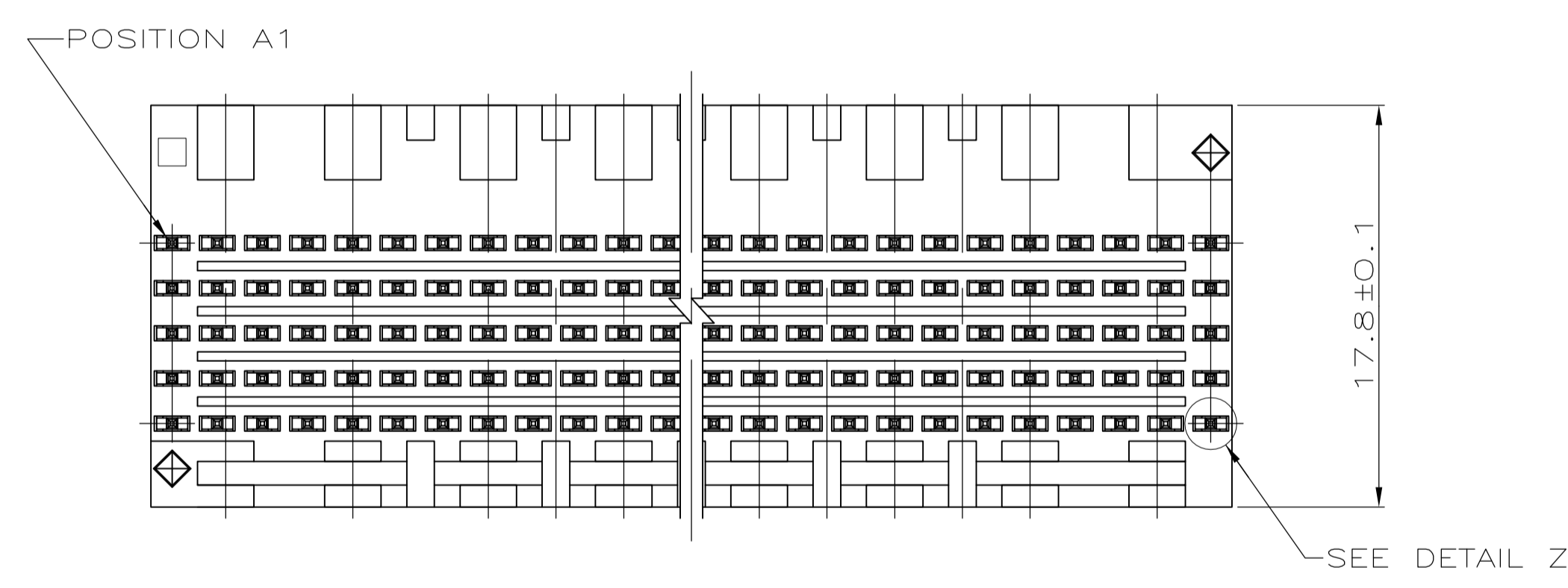


LOC		DIST		REVISIONS			
AD	00	REV	DATE	BY	CHK	APP	REV
N		REVISED PER EC 0512-0552-04	22SEP05	JDP	DD		
N1		REVISED PER ECO-09-021826	08JAN10	KK	AEG		

- 1 HOUSING MATERIAL: LIQUID CRYSTAL POLYMER
COLOR: NATURAL.
- 2 CONTACT MATERIAL: PHOSPHOR BRONZE
- 3 CONTACT FINISH:
UNDERPLATE (ENTIRE CONTACT):
0.00127 MIN NICKEL.
ON MATING SURFACES:
CONFORMS TO ALL TESTING SPECIFIED FOR TELCORDIA
UNCONTROLLED ENVIRONMENT.
ON LEADS
0.00381 MIN TIN-LEAD OVER UNDERPLATE.
LUBRICATION (ENTIRE CONTACT):
SURFACE CONDITIONER PER AMP SPEC 112-1002 AFTER PLATING.
- 4 PART MARKING LOCATED APPROXIMATELY AS SHOWN.
- 5 OBSOLETE PARTS: OBSOLETE CIS STREAMLINING PER D.RENAUD/D.SINISI



DETAIL Z
SCALE 20:1



RECOMMENDED CIRCUIT PATTERN
(COMPONENT SIDE)

REV	DESCRIPTION	DATE	BY	CHK	APP	REV
5	OBSOLETE	130	65	131.88	330	-1-223013-4
6	OBSOLETE	118	59	119.88	300	-1-223013-0
		94	47	95.88	240	223013-8
3	OBSOLETE	82	41	83.88	210	223013-7
4	OBSOLETE	70	35	71.88	180	223013-6
5	OBSOLETE	58	29	59.88	150	223013-5
6	OBSOLETE	46	23	47.88	120	223013-4
	OBSOLETE	22	11	23.88	60	223013-2
	OBSOLETE	10	5	11.88	30	223013-1

THIS DRAWING IS A CONTROLLED DOCUMENT.

DIN R BUCHHEISTER 06/JUN/96
 CHK D BAECHTLE 06/JUN/96
 AP/PO D BAECHTLE 06/JUN/96

Tyco Electronics Corporation
 Harrisburg, PA 17105-3608

NAME ASSEMBLY, PIN, SIGNAL, VERTICAL,
 Z-PACK 2mm FB, 5 ROW, SOLDER LEAD

APPLICATION SPEC

SIZE CAGE CODE DRAWING NO
 A1 00779 C=223013

RESTRICTED TO

MATERIAL FINISH WEIGHT

CUSTOMER DRAWING SCALE 4:1 SHEET 1 of 1 REV N1

X-ON Electronics

Largest Supplier of Electrical and Electronic Components

Click to view similar products for [High Speed/Modular Connectors](#) category:

Click to view products by [TE Connectivity](#) manufacturer:

Other Similar products are found below :

[2332816-1](#) [89006-1137LF](#) [650827-1](#) [65762-001LF](#) [73474-201LF](#) [74040-1346](#) [74075-0267](#) [1410191-1](#) [1410337-1](#) [1410368-3](#) [1410964-2](#)
[1410367-3](#) [1410971-4](#) [1467833-1](#) [2000877-1](#) [2000878-1](#) [2041314-1](#) [2065387-1](#) [2187307-1](#) [2187462-1](#) [91290-101LF](#) [163P](#) [1934290-1](#)
[2000875-1](#) [2065917-1](#) [2102736-2](#) [FSR-40](#) [2169868-2](#) [22354-8](#) [437-5040-000](#) [5-1393565-0](#) [532449-3](#) [532803-2](#) [34745-0001](#) [1-1393708-5](#)
[73774-1000](#) [532939-1](#) [5-531355-3](#) [85838-180LF](#) [HM1S43TRR460H6PLF](#) [0760205010](#) [0782341022](#) [1-966831-4](#) [3-1469268-7](#) [77427-121LF](#)
[74748-102LF](#) [10009542-001LF](#) [73983-A001LF](#) [10041743-101LF](#) [10066670-100002LF](#)