

REVISIONS

変更

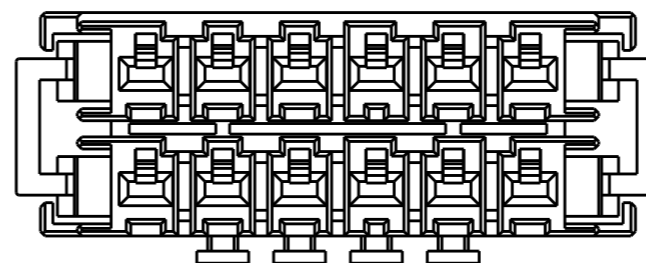
| P | LTR | DESCRIPTION | DATE | DWN | APVD |
|---|-----|------------------------------------|-----------|-----|------|
| | A | RELEASED | 02AUG2016 | Y.O | N.Y |
| | AI | ADD NEW PART NUMBER. ECR-17-004498 | 27MAR2017 | Y.O | N.Y |

本寸法はアータム -A- で測定されること

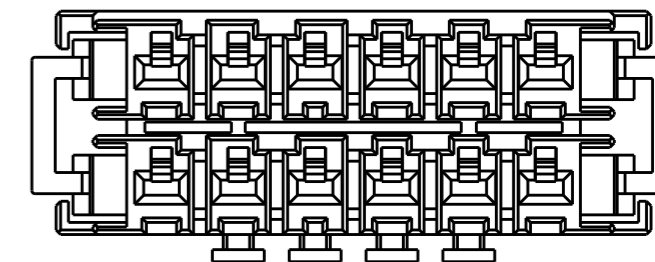
2. 本図はリセハウジング | 個とストレインリリーフプレート | 個のキット図面である

THIS DIMENTION MUST BE MEASURED AT -A- OF HOUSING

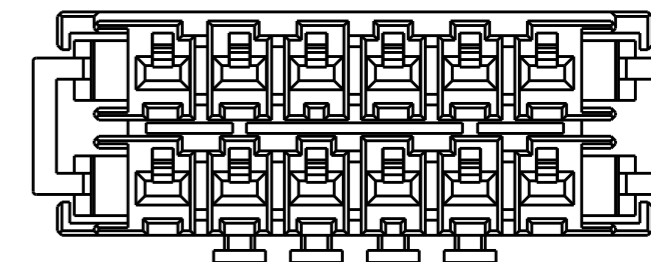
2. THIS DRAWING IS KIT DRAWING OF REC HOUSING (1pc) AND STRAIN RELIEF PLATE (1pc)



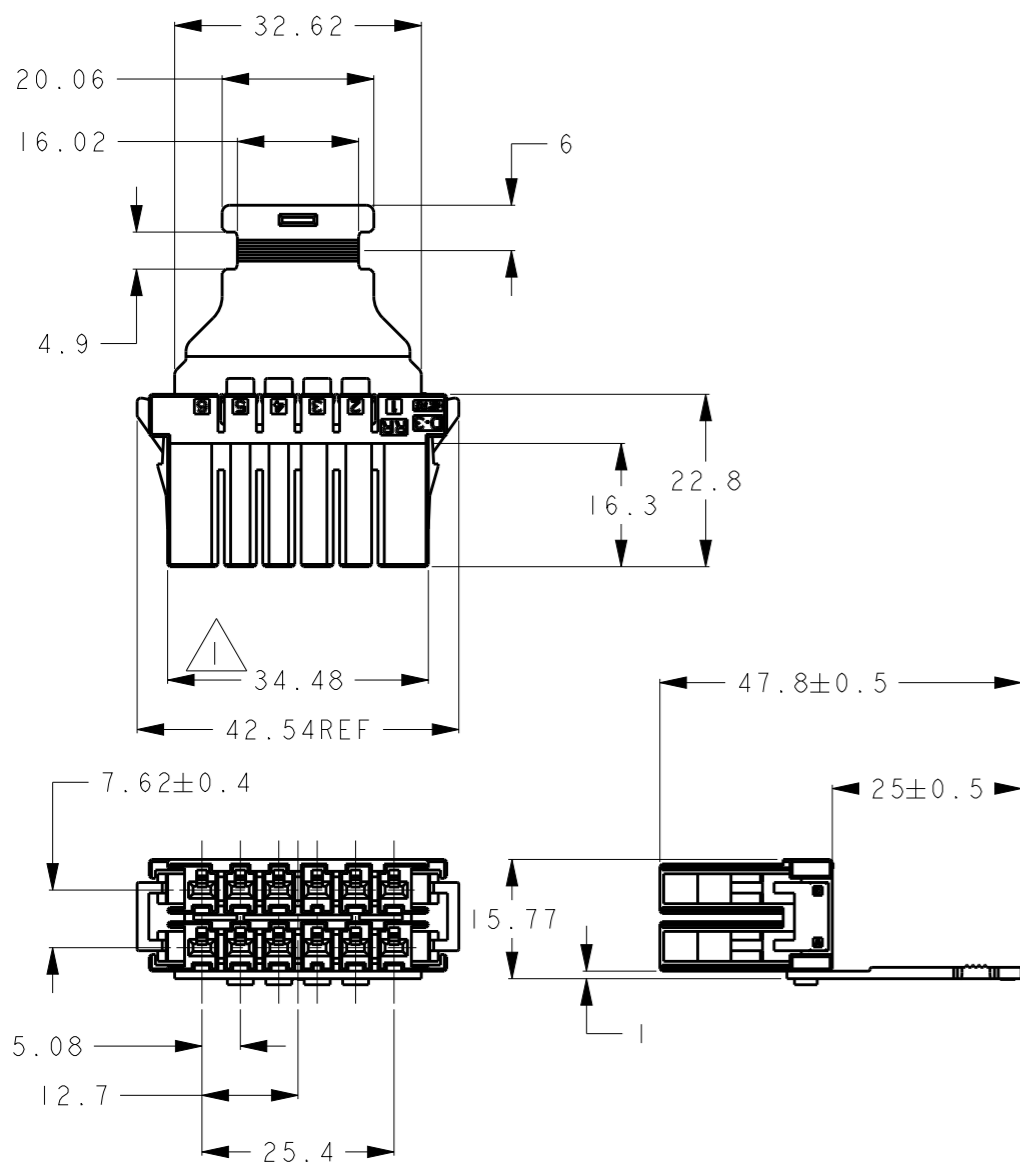
RR-KEYING
1-2291728-2



SS-KEYING
2-2291728-2

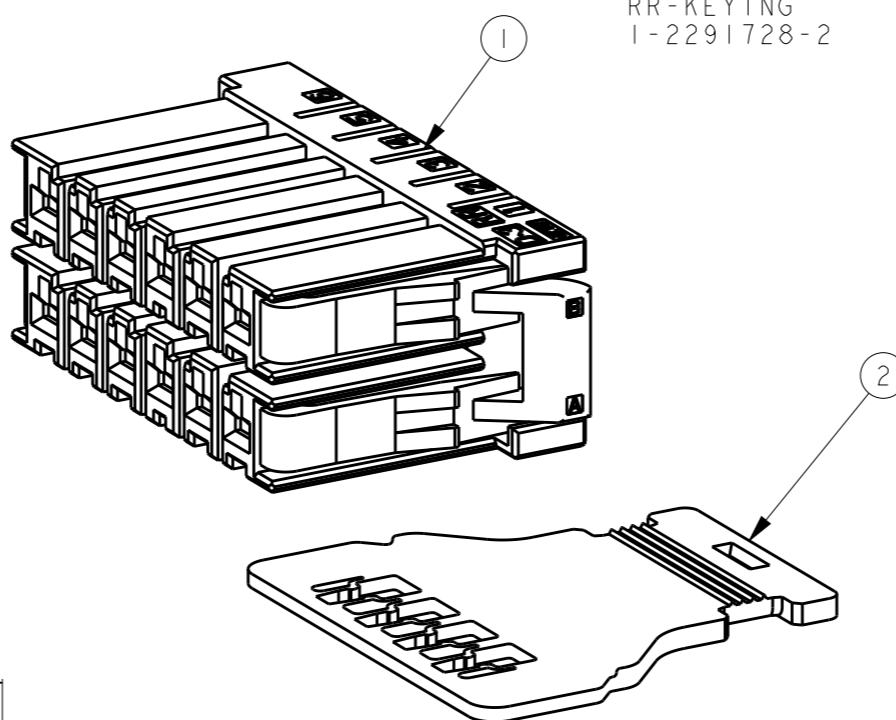


RS-KEYING
3-2291728-2



SCALE 1:1
スケール 1:1

DIMENSIONS OF AFTER ATTACHED STRAIN RELIEF PLATE
ストレインリリーフ取り付け後寸法



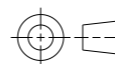
| | | | | | | |
|----|---|---|---|---------------------|--------------|------|
| 1 | 1 | 1 | MATERIAL:THERMO PLASTIC, POLYESTER COLOR : BLACK | STRAIN RELIEF PLATE | 2291733-6 | 2 |
| 1 | - | - | MATERIAL:THERMO PLASTIC, POLYESTER COLOR : BLACK | REC HSG 12P RS-KEY | 3-2291728-2 | 1 |
| - | 1 | - | MATERIAL:THERMO PLASTIC, POLYESTER COLOR : BLACK | REC HSG 12P SS-KEY | 2-2291728-2 | |
| - | - | 1 | MATERIAL:THERMO PLASTIC, POLYESTER COLOR : BLACK | REC HSG 12P RR-KEY | 1-2291728-2 | |
| 3- | - | 1 | MATERIAL/FINISH | PART NAME | PARTS NUMBER | ITEM |

THIS DRAWING IS A CONTROLLED DOCUMENT.

DIMENSIONS:
単位: 概
mm

TOLERANCES UNLESS
OTHERWISE SPECIFIED:

- 一般公差 ±0.3
- 0 PLC ±0.5
- 1 PLC ±0.1
- 2 PLC ±0.01
- 3 PLC ±0.005
- 4 PLC ±
- ANGLES ±



MATERIAL
材料

FINISH
仕上

DWN 22APR2016

Y. OKADA

CHK 23APR2016

E. TAKEMASA

APVD 23APR2016

N. YAMASAKI

PRODUCT SPEC

製品規格

108-5349

APPLICATION SPEC

取付適用規格

-

WEIGHT

-

CUSTOMER DRAWING



TE Connectivity

NAME
名称 STRAIN RELIEF KIT
RECEPTACLE ASSEMBLY 12P
DYNAMIC3200

SIZE

A300779

CAGE CODE

G-2303378

DRAWING NO
番号

-

RESTRICTED TO

-

SCALE
尺度 2:1

SHEET
1 OF 1

REV
AI

X-ON Electronics

Largest Supplier of Electrical and Electronic Components

Click to view similar products for [Headers & Wire Housings](#) category:

Click to view products by [TE Connectivity](#) manufacturer:

Other Similar products are found below :

[892-18-020-10-001101](#) [58102-G61-06LF](#) [582553-1](#) [0009485154](#) [009176003701906](#) [0050291907](#) [LY20-4P-DT1-P1E-BR](#) [02.125.8002.8](#)
[609-3404](#) [61062-3](#) [61082-181009](#) [622-3653LF](#) [63453-116](#) [636-1030](#) [636-1427](#) [636-3427](#) [636-4007](#) [641938-9](#) [641991-4](#) [644827-2](#) [65817-](#)
[010LF](#) [65817-015LF](#) [65863-015LF](#) [66207-023LF](#) [67095-007LF](#) [67601157](#) [68645-018](#) [68648-049](#) [70.362.1628.0](#) [70-4210](#) [70-4226B](#) [70-](#)
[4853B](#) [707-5020](#) [707-5028](#) [71.350.2428.0](#) [71918-208LF](#) [71961-016LF](#) [733-134](#) [733-162](#) [754199-000](#) [760-3052](#) [79531-3000](#) [FCN-](#)
[360C032-B](#) [FCN-367T-T012/H](#) [FCN-723D010/2](#) [80.063.4001.1](#) [800-90-010-10-002000](#) [801-43-002-10-013000](#) [801-43-006-10-002000](#)
[801-93-011-10-001000](#)