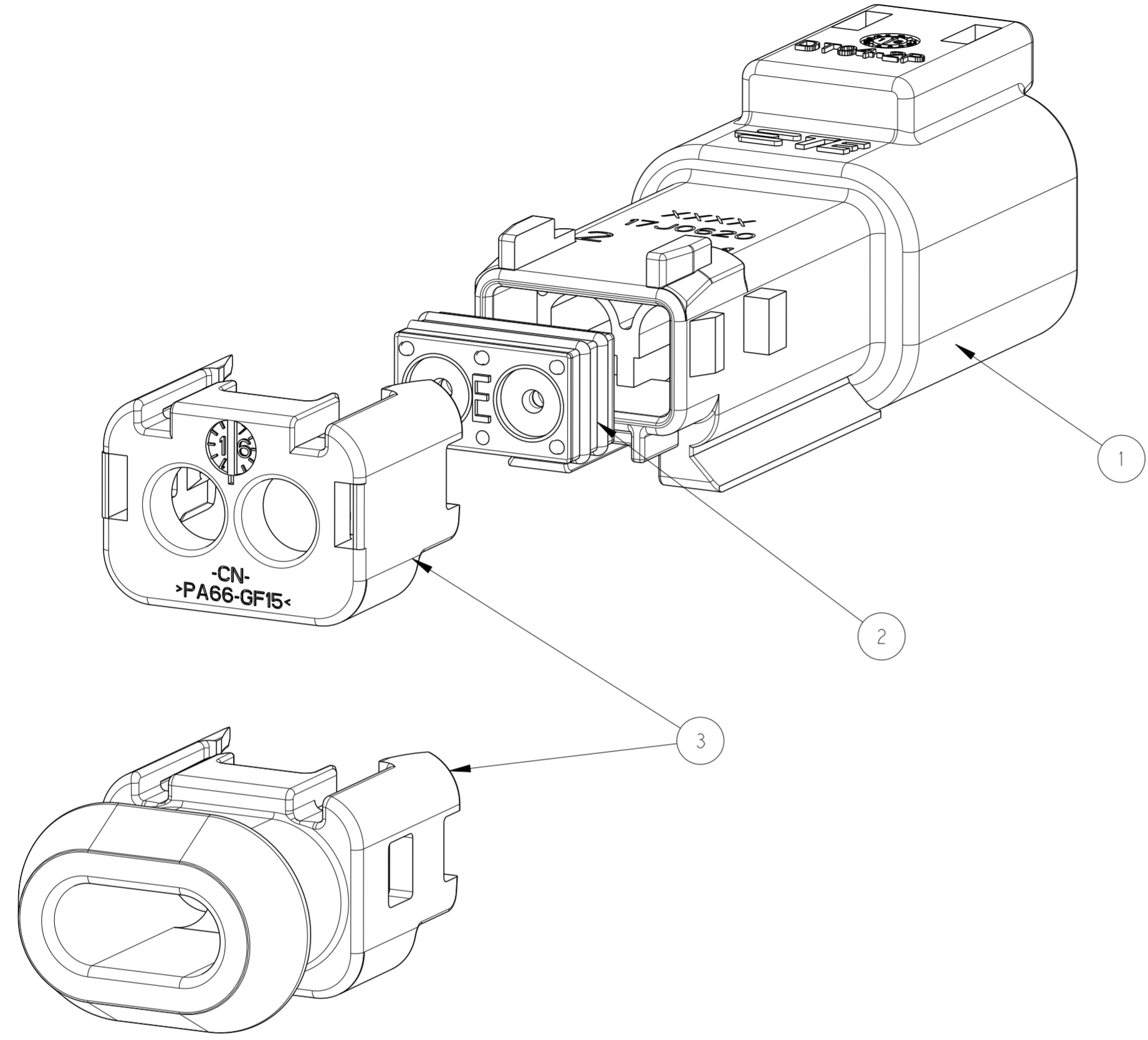


THIS DRAWING IS UNPUBLISHED. RELEASED FOR PUBLICATION 20
 © COPYRIGHT 20 BY - ALL RIGHTS RESERVED.

REVISIONS				
P	LTR	DESCRIPTION	DATE	APVD
A		INITIAL RELEASE	07AUG2017	C.W I.Y
B		REVISED PER PCN E-19-014633	15FEB2019	AK NS



NOTES:

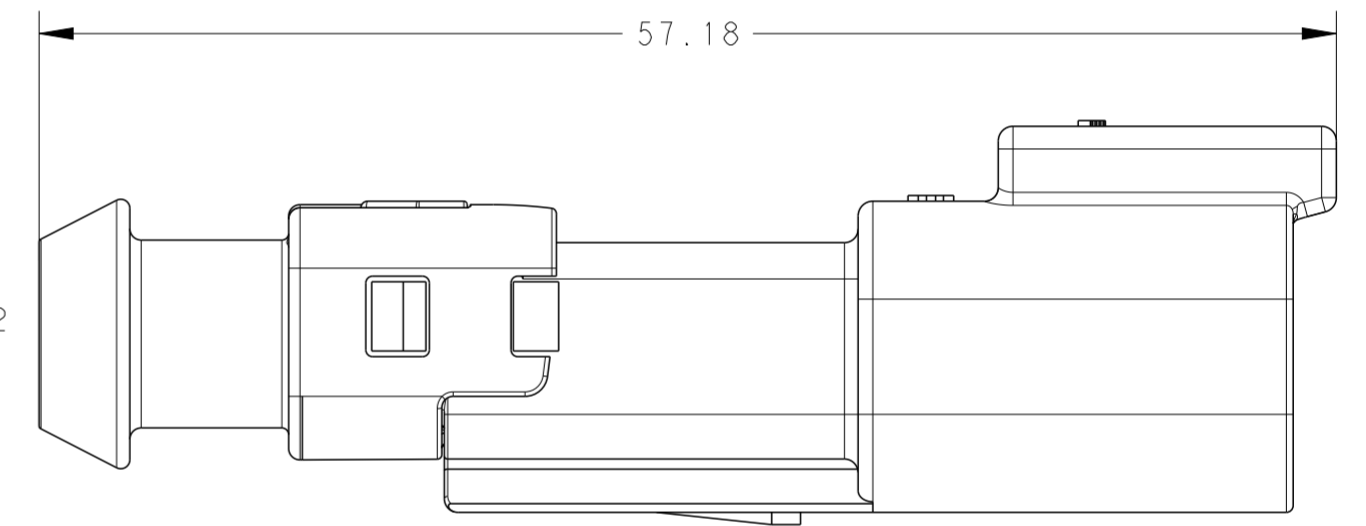
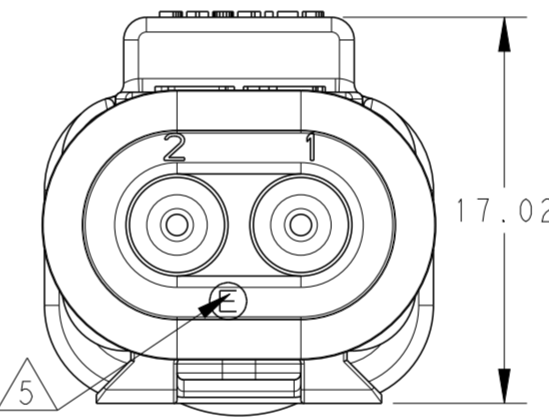
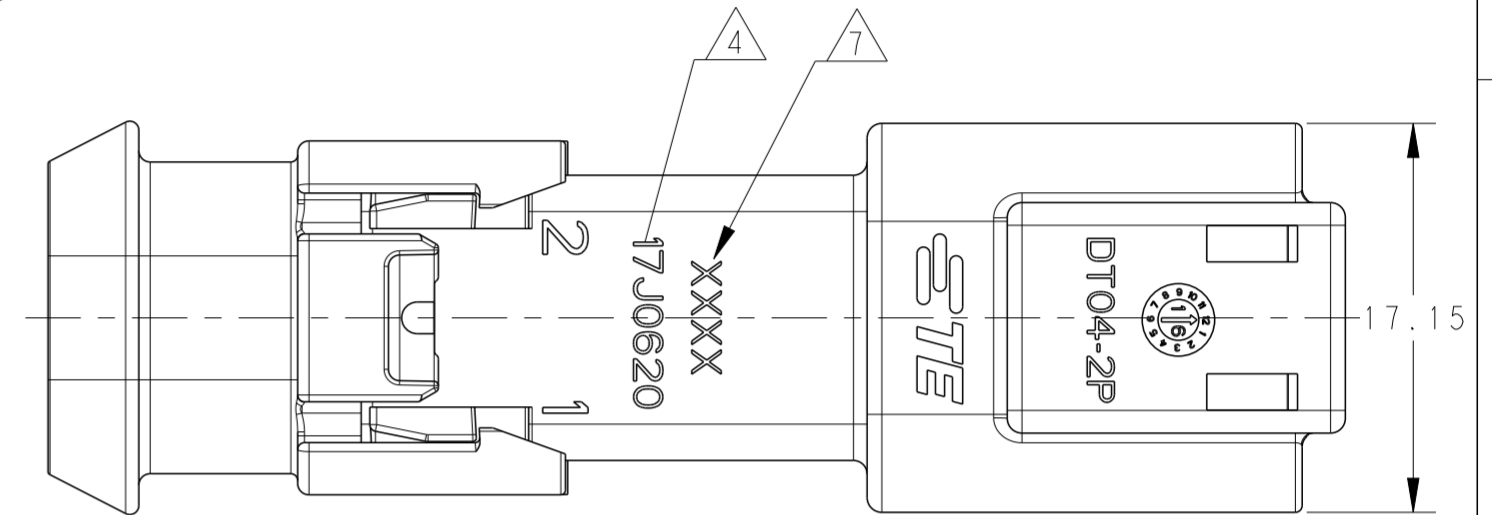
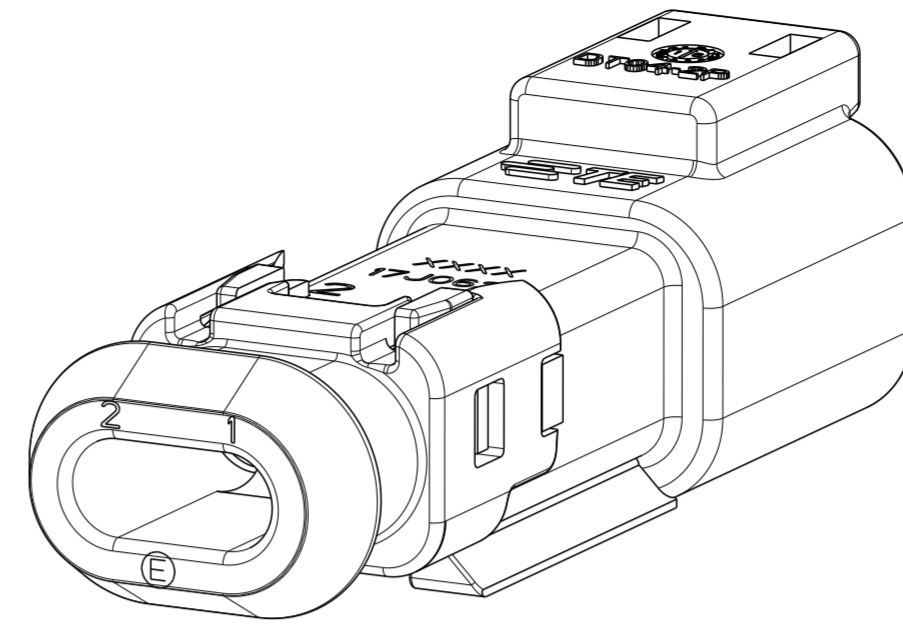
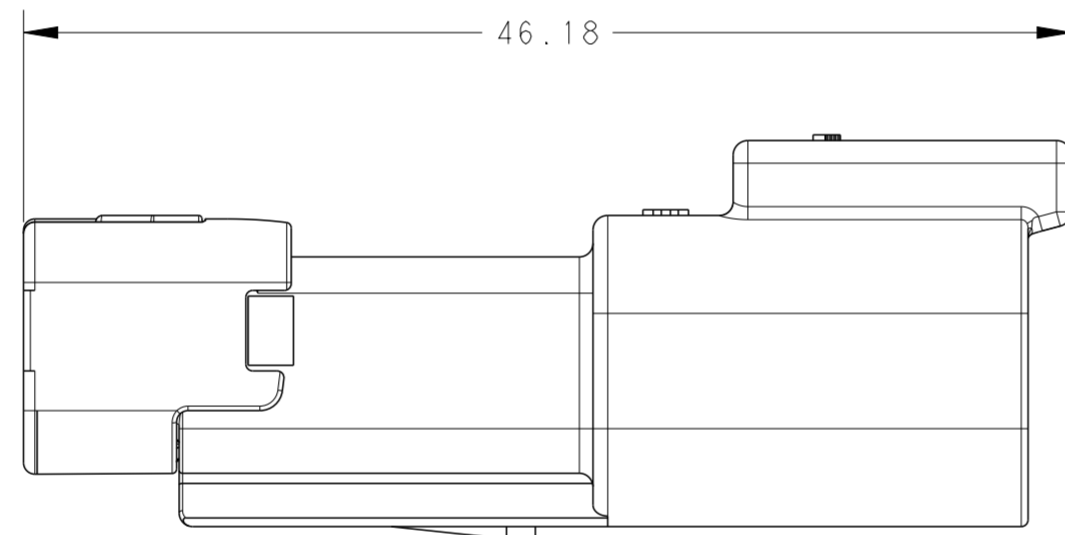
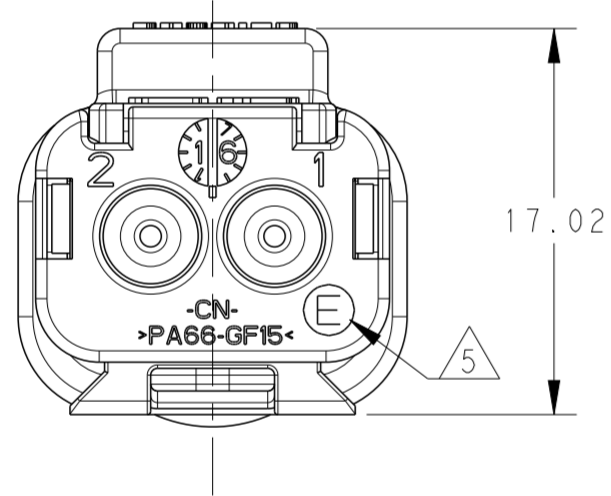
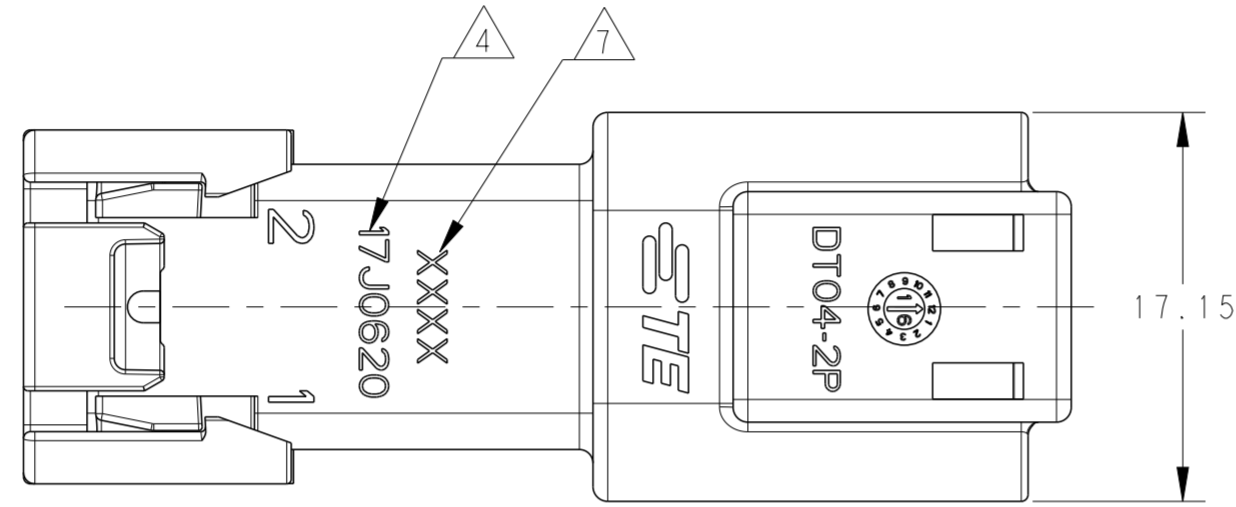
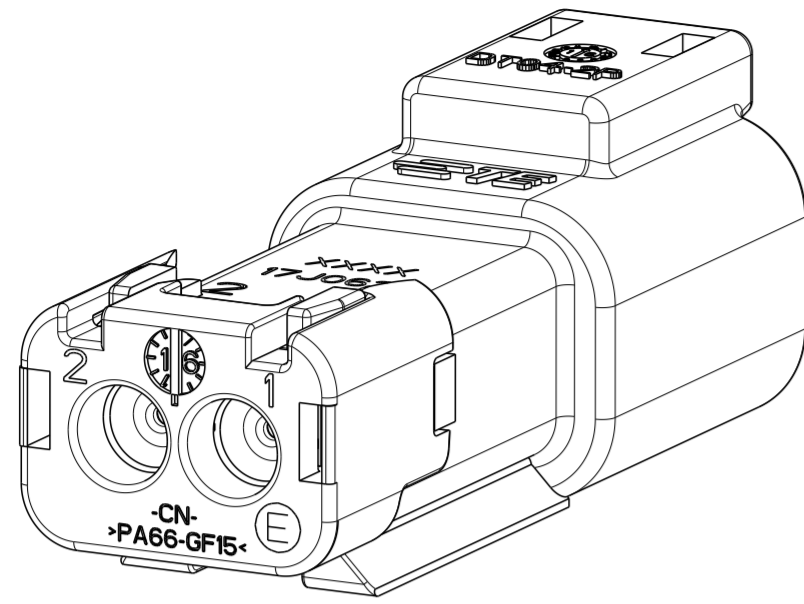
1. SECONDARY WEDGE LOCK SOLD SEPARATELY: W2PX-XXXX.
(X = A,B,C,D KEY, XXXX = ALL MODIFICATIONS)
2. THIS RECEPTACLE MATES WITH DT06-2S-XXXX PLUG.
(XXXX = ALL MODIFICATIONS)
3. MATERIAL: HOUSING: PA66 GF15, SEE TABLE FOR COLOR
GROMMET: VMQ SEE TABLE FOR COLOR
4. DATE CODE: IDENTIFIES THE YEAR, MONTH, DAY AND HOUR OF ASSEMBLY.
YEAR: FIRST AND SECOND DIGITS. (17 = 2017)
MONTH: THIRD DIGIT, EXCLUDING I. A = JAN, B = FEB,
C = MARCH ... (K = OCTOBER)
DAY: FOURTH AND FIFTH DIGITS (14 = 14th DAY)
HOUR: SIXTH AND SEVENTH DIGITS (11 = 11AM)
5. "E" IDENTIFIES E-SEAL.
6. FOR CONTACTS AND WIRE PERFORMANCE AND APPLICATION CHARACTERISTICS SEE CUSTOMER DRAWING 0425-015-0000.
7. XXXX IDENTIFIES THE MODIFICATION NUMBER, IF APPLICABLE. EXAMPLE: "TB31" FOR DT04-2P-TB31,

CONTACT SIZE	WIRE RANGE	SEALING RANGE	SEAL IDENTIFICATION
#16	14-20AWG (2.5-0.5mm ²)	.088-.145 [2.23-3.68]	STANDARD SEAL N-SEAL
		.053-.120 [1.35-3.05]	EXTRA THIN SEAL E-SEAL

THIS DRAWING IS A CONTROLLED DOCUMENT.		DWN C. WAN	15OCT2017	TE Connectivity	
DIMENSIONS: mm		CHK E. JIANG	15OCT2017		
TOLERANCES UNLESS OTHERWISE SPECIFIED:		APVD I. YIN	15OCT2017	NAME	
0 PLC ±-		PRODUCT SPEC		DT SERIES, SNAP CAPS	
1 PLC ±-		108-151009		2 WAY RECEPTACLE, DT04-2P-TXXX	
2 PLC ±0.64		APPLICATION SPEC		SIZE	CAGE CODE
3 PLC ±0.64		114-151009		DRAWING NO	RESTRICTED TO
4 PLC ±-		WEIGHT		A200779	C-2303812
ANGLES ±-		SEE TABLES		SCALE 2:1 SHEET 1 OF 2 REV B	
FINISH		CUSTOMER DRAWING			

THIS DRAWING IS UNPUBLISHED. RELEASED FOR PUBLICATION 20
 © COPYRIGHT 20 BY - ALL RIGHTS RESERVED.

REVISIONS				
P	LTR	DESCRIPTION	DATE	APVD
-	-	SEE SHEET 1	-	-



5				5				ITEM NO
1	1	1	1	COLOUR	MATERIAL	DESCRIPTION		
1	1		1	GREY	PA66-GF15	STD CAP	3	
				BLACK	PA66-GF15	STD CAP		
1			1	BURNT RED	VMQ	GROMMET,E-SEAL	2	
	1	1		ORANGE-RED	VMQ	GROMMET,N-SEAL		
		1	1	GREY	PA66-GF15	HOUSING	1	
1	1			BLACK	PA66-GF15	HOUSING		
				WEIGHT OF EACH ASSY NO. (g)				
4.46	4.46	4.46	4.46	REVISION OF EACH ASSY NO.				
B	A	A	B	DEUTSCH PN				
DT04-2P-TE32	DT04-2P-TN32	DT04-2P-TN31	DT04-2P-TE31	TE PN				
1--4	1--3	1--2	1--1	COMPARABLE PART				
DT04-2P-CE03	DT04-2P-E005	DT04-2P-E003-EP04	DT04-2P-CE01					

5				5				ITEM NO
1	1	1	1	QTY. REQUEST PER ASSY	COLOR	MATERIAL	DESCRIPTION	
1	1		1		GREY	PA66-GF15	LONG CAP	3
					BLACK	PA66-GF15	LONG CAP	
1			1		BURNT RED	VMQ	GROMMET,E-SEAL	2
	1	1			ORANGE	VMQ	GROMMET,N-SEAL	
		1	1		GREY	PA66-GF15	HOUSING	1
1	1				BLACK	PA66-GF15	HOUSING	
				WEIGHT OF EACH ASSY NO. (g)				
				REVISION OF EACH ASSY NO.				
DT04-2P-TE82	DT04-2P-TN82	DT04-2P-TN81	DT04-2P-TE81	DEUTSCH PN				
2--4	2--3	2--2	2--1	TE PN				
DT04-2P-CE09	DT04-2P-EE01	DT04-2P-E008	DT04-2P-CE04	COMPARABLE PART				

THIS DRAWING IS A CONTROLLED DOCUMENT.

DIMENSIONS: mm

TOLERANCES UNLESS OTHERWISE SPECIFIED:

0 PLC	±
1 PLC	±
2 PLC	±0.64
3 PLC	±0.64
4 PLC	±

ANGLES ±

FINISH -

APVD: C. WAN, E. JIANG, I. YIN (150CT2017)

PRODUCT SPEC: 108-151009

APPLICATION SPEC: 114-151009

WEIGHT: SEE TABLES

CUSTOMER DRAWING

SCALE: 3:1

SHEET: 2 OF 2

REV: B

STE TE Connectivity

DT SERIES, SNAP CAPS
2 WAY RECEPTACLE, DT04-2P-TXXX

SIZE: A200779 CAGE CODE: C-2303812

X-ON Electronics

Largest Supplier of Electrical and Electronic Components

Click to view similar products for [Automotive Connectors](#) category:

Click to view products by [TE Connectivity](#) manufacturer:

Other Similar products are found below :

[003-018-000](#) [60993906-B](#) [72.330.1035.1](#) [776880-1](#) [827153-1](#) [9-1326729-8](#) [9-221607-5](#) [925474-1](#) [928905-1](#) [964562-4](#) [968782-1](#) [98891-1012](#) [12004468](#) [12004475-L](#) [12004483](#) [12052466](#) [12066163](#) [12015909](#) [12077753](#) [1-21030-1](#) [12047957](#) [12047958](#) [12084688](#) [12185550](#) [12336-12](#) [1-326211-1](#) [13681974](#) [13688972](#) [13755420](#) [13779834](#) [13783086](#) [13843152](#) [13522378](#) [13581967](#) [13669624](#) [13675513](#) [13753471](#) [13946876](#) [13953457](#) [13955963](#) [13964573](#) [13971791](#) [13790534-L](#) [13797473](#) [13805590](#) [13888202](#) [1428188-1](#) [1437287-3](#) [1428188-2](#) [DS07-19S-5020](#)