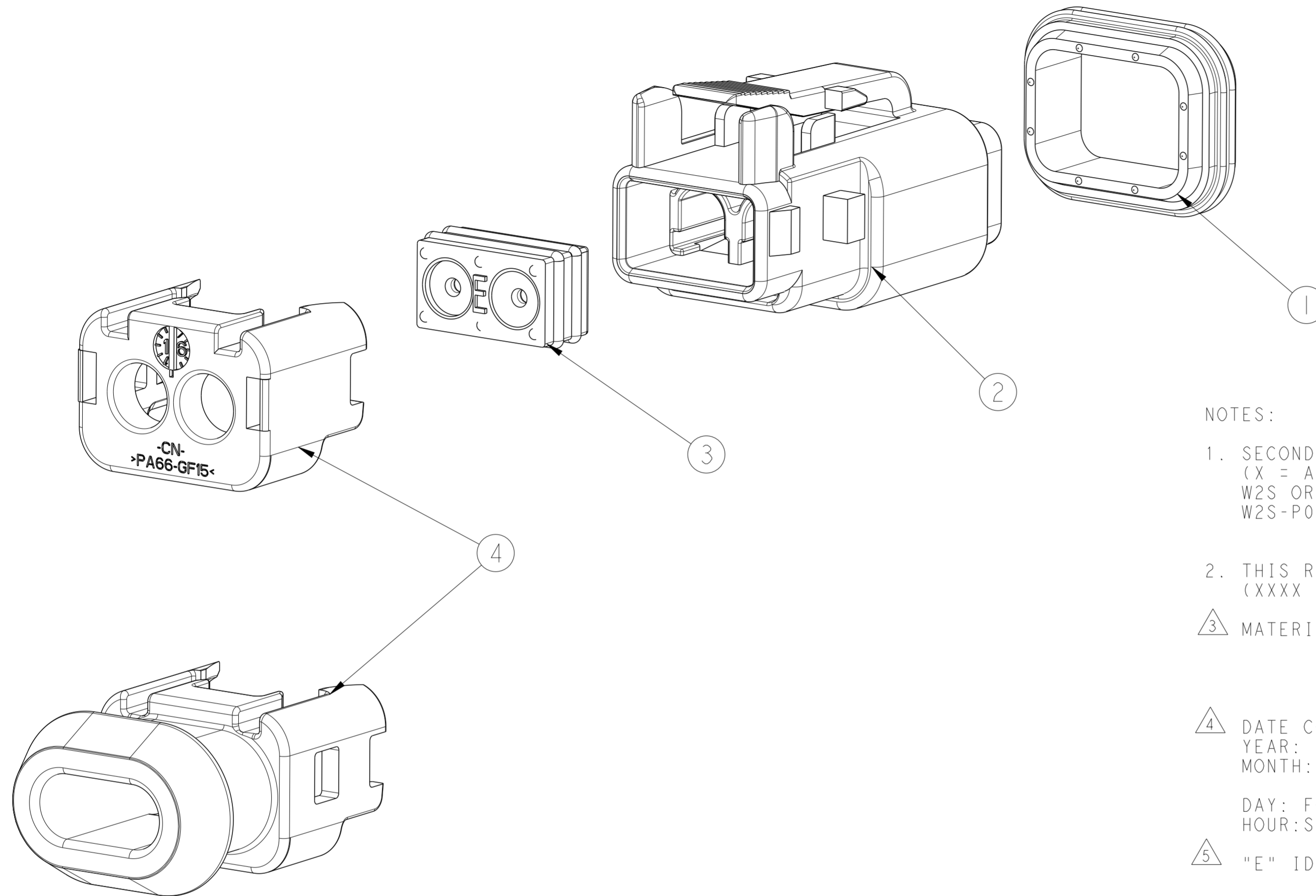


THIS DRAWING IS UNPUBLISHED. RELEASED FOR PUBLICATION 20  
 © COPYRIGHT 20 BY - ALL RIGHTS RESERVED.

REVISIONS				
P	LTR	DESCRIPTION	DATE	APVD
A		INITIAL RELEASE	08AUG2017	C.W I.Y
B		REVISED PER PCN E-19-014633	11FEB2019	AK NS



NOTES:

- SECONDARY WEDGE LOCK SOLD SEPARATELY: W2SX-XXXX.  
 (X = A,B,C,D KEY; XXXX = ALL MODIFICATIONS)  
 W2S OR W2S-P012 MAY BE USED WITH THESE PLUGS.  
 W2S-P012 IS RECOMMENDED.
- THIS RECEPTACLE MATES WITH DT04-2P-XXXX PLUG.  
 (XXXX = ALL MODIFICATIONS)
- MATERIAL: HOUSING: PA66 GF15, SEE TABLE FOR COLOR  
 GROMMET: VMQ, SEE TABLE FOR COLOR  
 FRONT SEAL: VMQ(RED-ORANGE), EXCEPT TF31 AND TF32  
 ARE FVMQ, SEE TABLE FOR DETAIL
- DATE CODE: IDENTIFIES THE YEAR, MONTH, DAY AND HOUR OF ASSEMBLY.  
 YEAR: FIRST AND SECOND DIGITS. (17 = 2017)  
 MONTH: THIRD DIGIT, EXCLUDING I. A = JAN, B = FEB,  
 C = MARCH ... (K = OCTOBER)  
 DAY: FOURTH AND FIFTH DIGITS (14 = 14th DAY)  
 HOUR: SIXTH AND SEVENTH DIGITS (11 = 11AM)
- "E" IDENTIFIES E-SEAL.
- FOR CONTACTS AND WIRE PERFORMANCE AND APPLICATION CHARACTERISTICS SEE CUSTOMER DRAWING 0425-015-0000.
- XXXX IDENTIFIES THE MODIFICATION NUMBER, IF APPLICABLE. EXAMPLE: "TE81" FOR DT06-2S-TE81.

CONTACT SIZE	WIRE RANGE	SEALING RANGE	SEAL IDENTIFICATION
#16	14-20AWG (2.5-0.5mm <sup>2</sup> )	.088-.145 [2.23-3.68]	STANDARD SEAL N-SEAL
		.053-.120 [1.35-3.05]	EXTRA THIN SEAL E-SEAL

THIS DRAWING IS A CONTROLLED DOCUMENT.		DWN C. WAN	15OCT2017	<b>STE</b> TE Connectivity
DIMENSIONS: mm		CHK E. JIANG	15OCT2017	
TOLERANCES UNLESS OTHERWISE SPECIFIED:		APVD I. YING	15OCT2017	
0 PLC ± 1 PLC ±0.64 2 PLC ±0.64 3 PLC ± 4 PLC ± ANGLES ± FINISH ±		PRODUCT SPEC 108-151009	APPLICATION SPEC 114-151009	
MATERIAL	3	WEIGHT SEE TABLES	A200779	NAME DT SERIES, SNAP CAPS 2 WAY PLUG, DT06-2S-TXXX
		CUSTOMER DRAWING	SCALE 1:1	DRAWING NO C-2303815
			SHEET 1 OF 2	RESTRICTED TO -
			REV B	



## X-ON Electronics

Largest Supplier of Electrical and Electronic Components

*Click to view similar products for [Automotive Connectors](#) category:*

*Click to view products by [TE Connectivity](#) manufacturer:*

Other Similar products are found below :

[003-018-000](#) [60993906-B](#) [72.330.1035.1](#) [776880-1](#) [827153-1](#) [9-1326729-8](#) [9-221607-5](#) [925474-1](#) [928905-1](#) [964562-4](#) [968782-1](#) [98891-1012](#) [12004468](#) [12004475-L](#) [12004483](#) [12052466](#) [12066163](#) [12015909](#) [12077753](#) [1-21030-1](#) [12047957](#) [12047958](#) [12084688](#) [12185550](#) [12336-12](#) [1-326211-1](#) [13681974](#) [13688972](#) [13755420](#) [13779834](#) [13783086](#) [13843152](#) [13522378](#) [13581967](#) [13669624](#) [13675513](#) [13753471](#) [13946876](#) [13953457](#) [13955963](#) [13964573](#) [13971791](#) [13790534-L](#) [13797473](#) [13805590](#) [13888202](#) [1428188-1](#) [1437287-3](#) [1428188-2](#) [DS07-19S-5020](#)