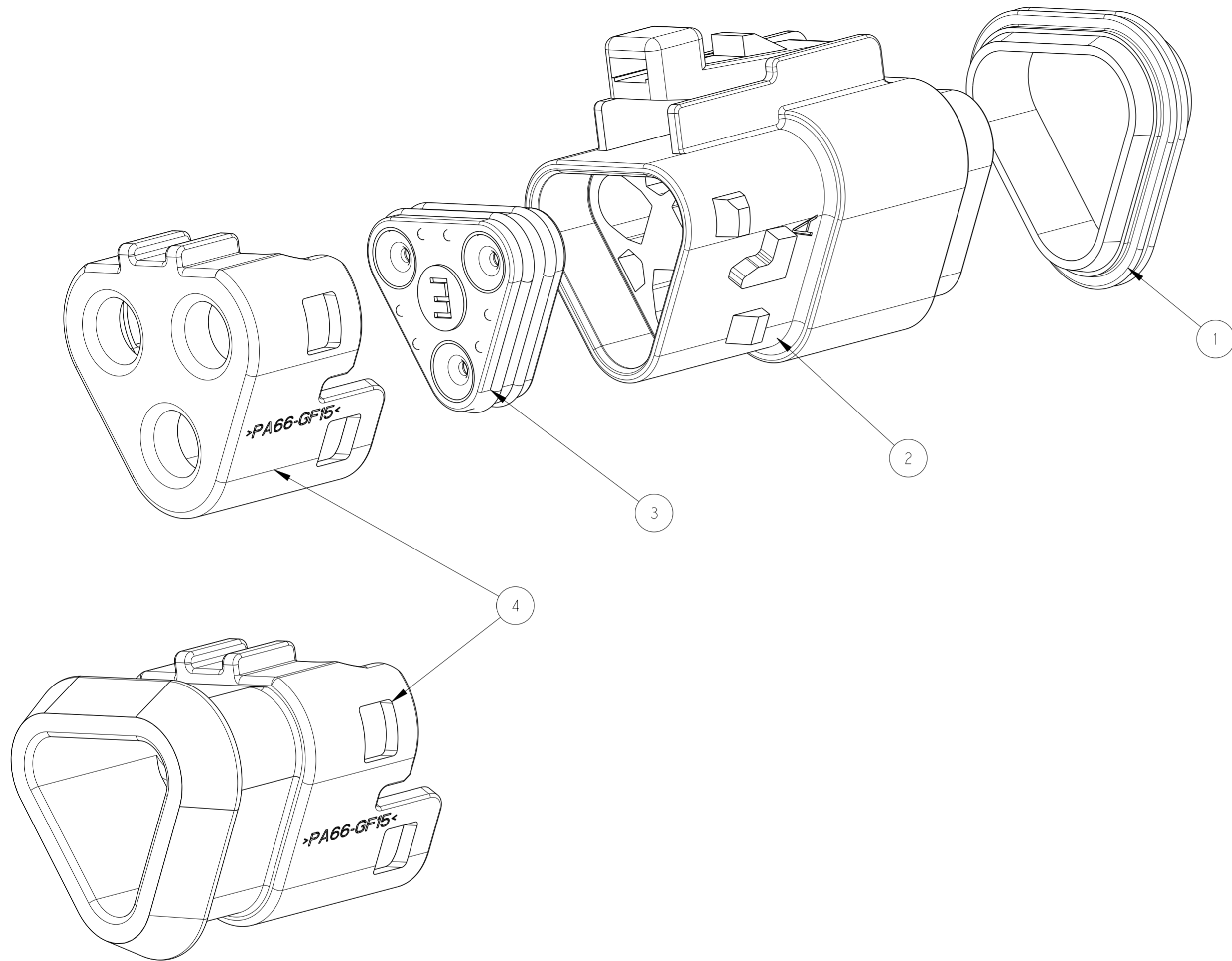


THIS DRAWING IS UNPUBLISHED. RELEASED FOR PUBLICATION
 © COPYRIGHT copyright.d8te- ALL RIGHTS RESERVED.

REVISIONS					
P	LTR	DESCRIPTION	DATE	DWN	APVD
A		INITIAL RELEASE	07AUG2017	C.W	I.Y
A2		REVISED PER PCN: E-18-007072	04MAY2018	AJ	DM
B		REVISED PER PCN E-19-014633	11FEB2019	AK	NS



NOTES:

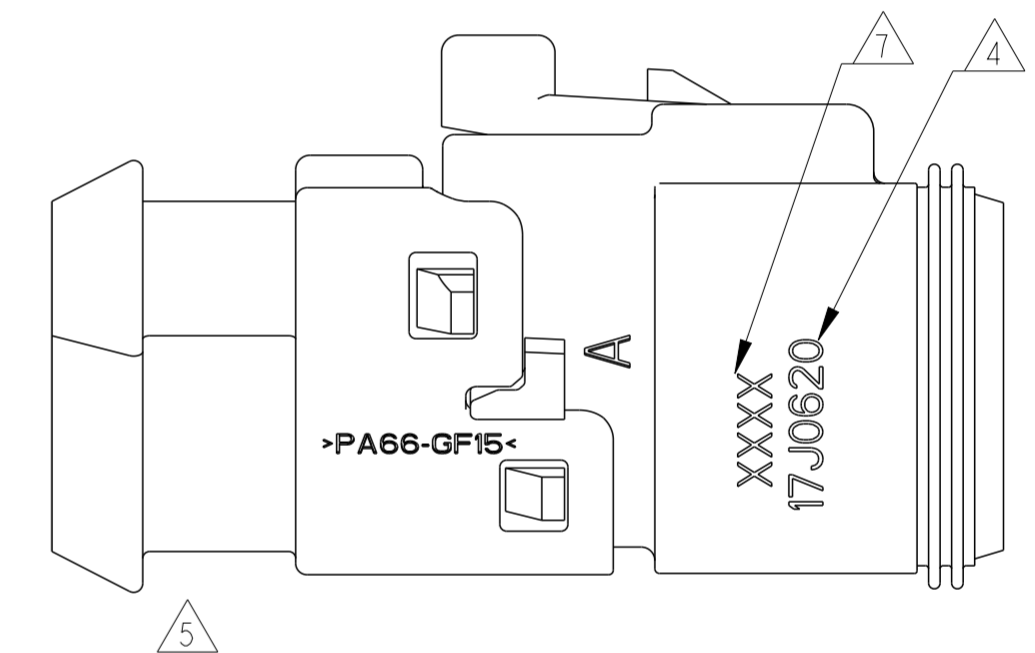
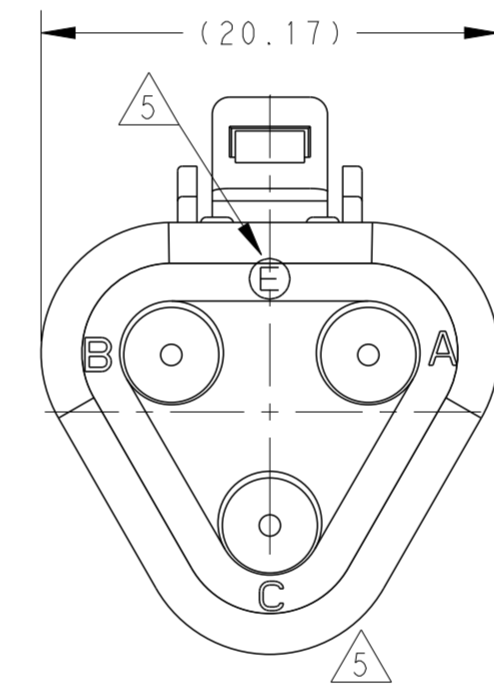
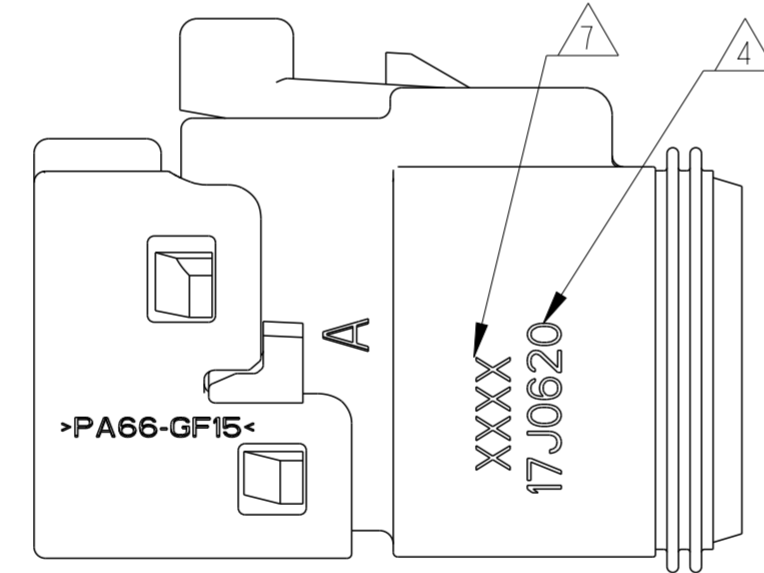
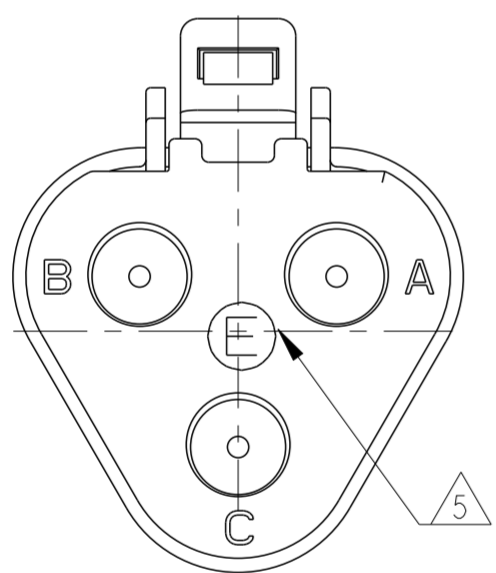
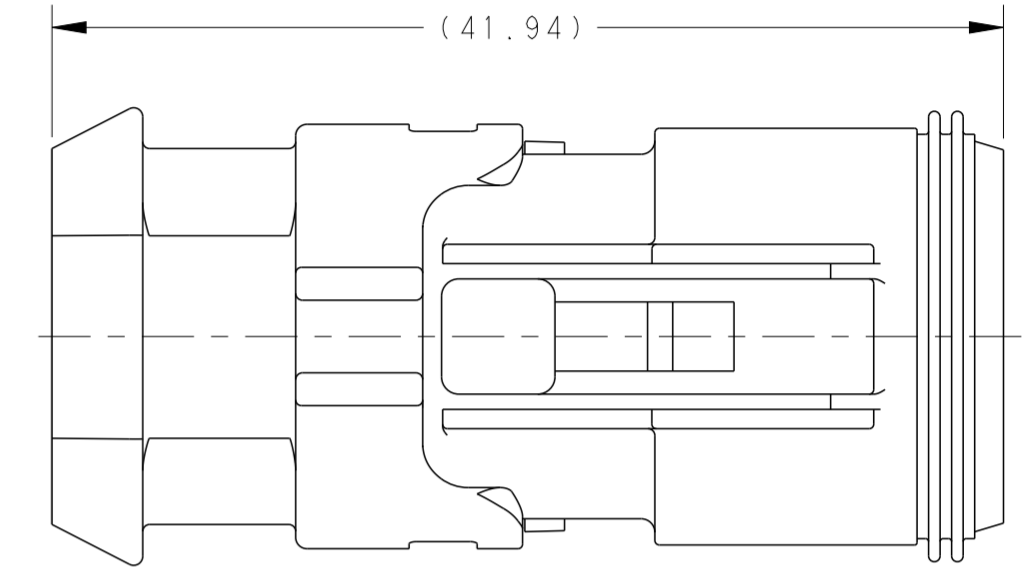
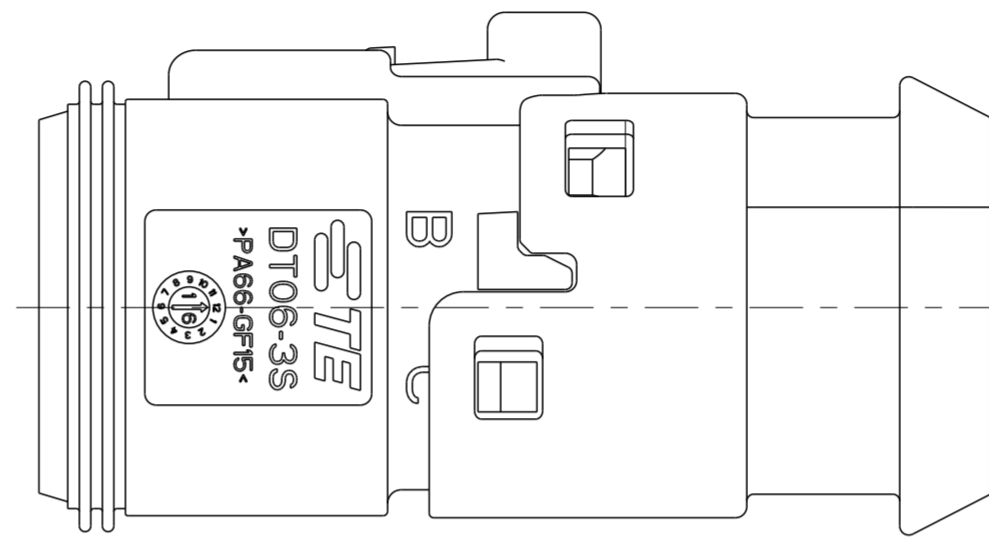
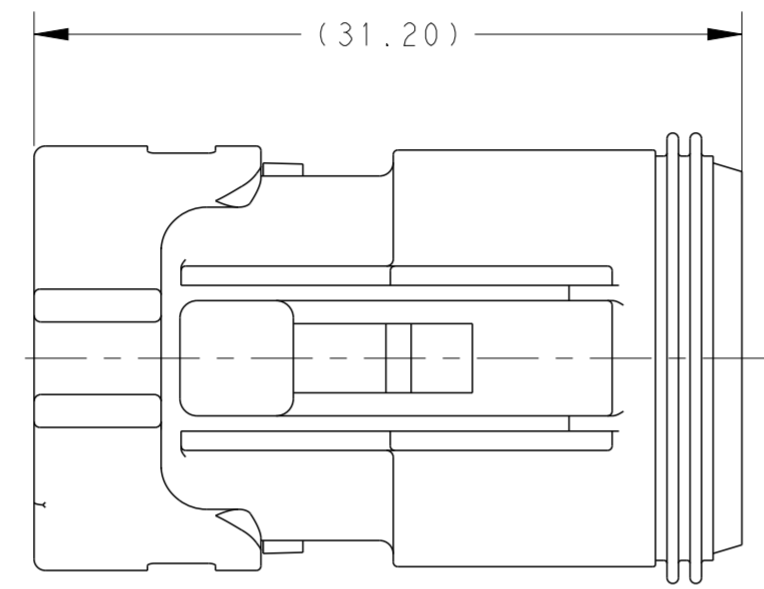
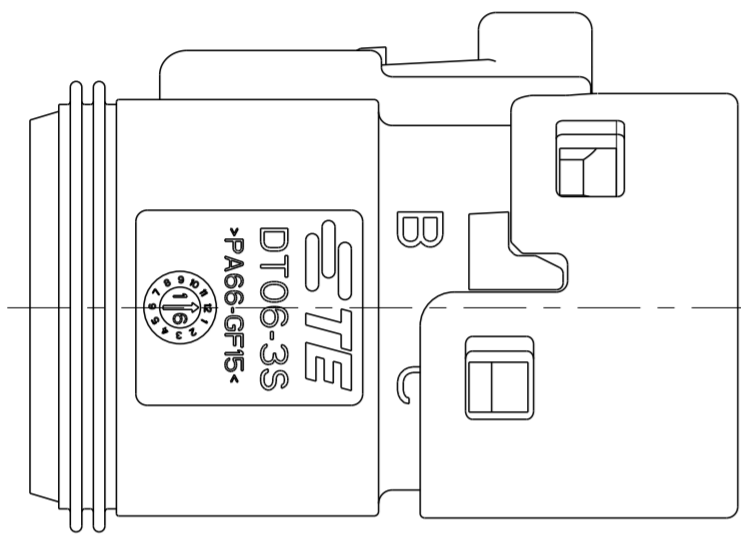
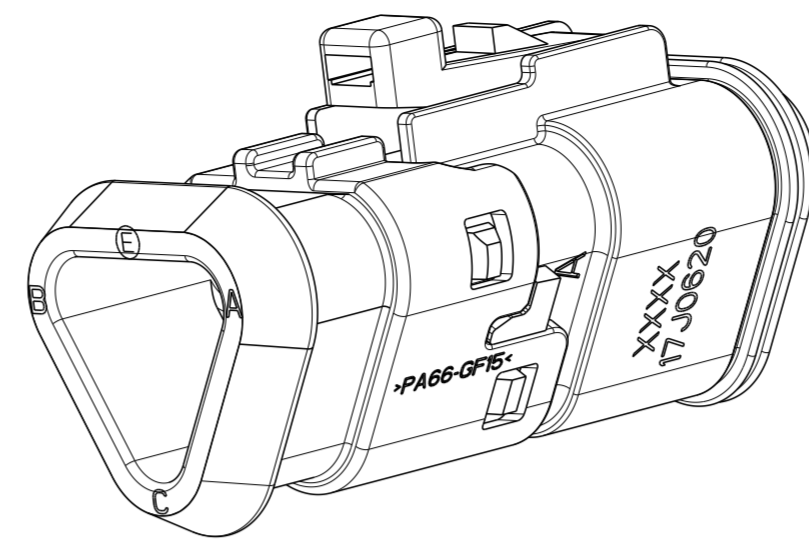
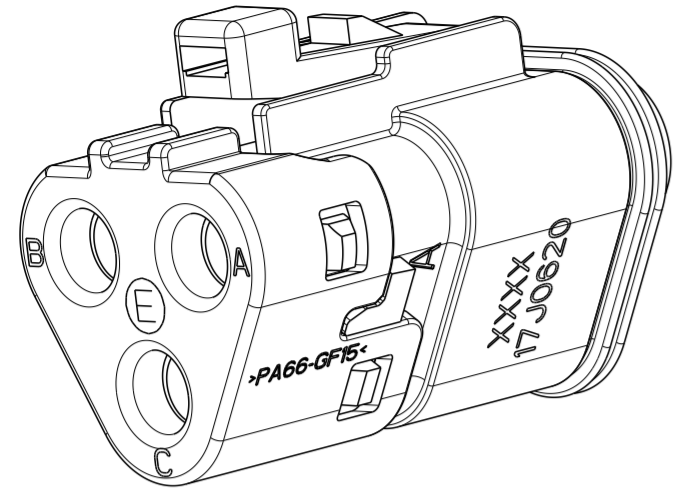
1. SECONDARY WEDGE LOCK SOLD SEPARATELY: W3S-XXXX.
 (XXXX = ALL MODIFICATIONS)
 W3S OR W3S-P012 MAY BE USED WITH THESE PLUGS
 W3S-P012 IS RECOMMENDED.
2. THIS PLUG MATES WITH DT04-3P-XXXX RECEPTACLE.
 (XXXX = ALL MODIFICATIONS)
3. MATERIAL: HOUSING: PA66 GF15, SEE TABLE FOR COLOR
 GROMMET: VMQ SEE TABLE FOR COLOR
 FRONT SEAL: VMQ (RED-ORANGE), SEE TABLE FOR DETAIL.
4. DATE CODE: IDENTIFIES THE YEAR, MONTH, DAY AND HOUR OF ASSEMBLY.
 YEAR: FIRST AND SECOND DIGITS. (17 = 2017)
 MONTH: THIRD DIGIT, EXCLUDING I. A = JAN, B = FEB,
 C = MARCH ... (K = OCTOBER)
 DAY: FOURTH AND FIFTH DIGITS (14 = 14th DAY)
 HOUR: SIXTH AND SEVENTH DIGITS (11 = 11AM)
5. "E" IDENTIFIES E-SEAL.
6. FOR CONTACTS AND WIRE PERFORMANCE AND APPLICATION CHARACTERISTICS SEE CUSTOMER DRAWING 0425-015-0000.
7. XXXX IDENTIFIES THE MODIFICATION NUMBER, IF APPLICABLE. EXAMPLE: "TE31" FOR DT06-3S-TE31.

CONTACT SIZE	WIRE RANGE	SEALING RANGE	SEAL IDENTIFICATION
#16	14-20AWG (2.5-0.5mm ²)	.088-.145 [2.23-3.68]	STANDARD SEAL N-SEAL
		.053-.120 [1.35-3.05]	EXTRA THIN SEAL E-SEAL

THIS DRAWING IS A CONTROLLED DOCUMENT.		DWN C. WAN 15OCT2017	TE Connectivity		
DIMENSIONS: mm		CHK E. JIANG 15OCT2017			
TOLERANCES UNLESS OTHERWISE SPECIFIED:		APVD I. YIN 15OCT2017	NAME DT SERIES, SNAP CAPS 3 WAY PLUG, DT06-3S-TXXX		
0 PLC ± 1 PLC ±0.64 2 PLC ±0.64 3 PLC ± 4 PLC ± ANGLES ± FINISH ±		PRODUCT SPEC 108-151009	SIZE A2	CAGE CODE -	DRAWING NO G-2303816
MATERIAL 3		APPLICATION SPEC 114-151009	RESTRICTED TO		
		WEIGHT SEE TABLES	SCALE 1:1	SHEET 1 OF 2	REV B
		CUSTOMER DRAWING			

THIS DRAWING IS UNPUBLISHED. RELEASED FOR PUBLICATION
 © COPYRIGHT copyright.d8Te- ALL RIGHTS RESERVED.

REVISIONS				
P	LTR	DESCRIPTION	DATE	APVD
-		SEE SHEET 1		



5				5			
QTY.	REQ.	PER	ASSY	COLOR	MATERIAL	DESCRIPTION	ITEM NO.
1	1	1	1	GREY	PA66-GF15	STD CAP	4
1	1	1	1	BLACK	PA66-GF15	STD CAP	4
1	1	1	1	BURNT RED	VMQ	GROMMET, E-SEAL	3
1	1	1	1	ORANGE-RED	VMQ	GROMMET, N-SEAL	3
1	1	1	1	GREY	PA66-GF15	HOUSING	2
1	1	1	1	BLACK	PA66-GF15	HOUSING	2
1	1	1	1	ORANGE	VMQ	FRONT SEAL	1
				COLOR	MATERIAL	DESCRIPTION	ITEM NO.
7.50	7.48	7.48	7.51	WEIGHT OF EACH ASSY NO. (g)			
B	A	A	B	REVISION OF EACH ASSY NO.			
DT06-3S-TE32	DT06-3S-TN32	DT06-3S-TN31	DT06-3S-TE31	DEUTSCH			
1--4	1--3	1--2	1--1	TE PN			
DT06-3S-CE05	DT06-3S-E005-EP06	DT06-3S-E003-EP04	DT06-3S-CE01	COMPARABLE PART			

QTY.	REQ.	PER	ASSY	COLOR	MATERIAL	DESCRIPTION	ITEM NO.
1	1	1	1	GREY	PA66-GF15	LONG CAP	4
1	1	1	1	BLACK	PA66-GF15	LONG CAP	4
1	1	1	1	BURNT RED	VMQ	GROMMET, E-SEAL	3
1	1	1	1	ORANGE-RED	VMQ	GROMMET, N-SEAL	3
1	1	1	1	GREY	PA66-GF15	HOUSING	2
1	1	1	1	BLACK	PA66-GF15	HOUSING	2
1	1	1	1	ORANGE	VMQ	FRONT SEAL	1
QTY. REQUEST PER ASSY				COLOR	MATERIAL	DESCRIPTION	ITEM NO.
8.96	8.94	8.94	8.96	WEIGHT OF EACH ASSY NO. (g)			
B	A	A	B	REVISION OF EACH ASSY NO.			
DT06-3S-TE82	DT06-3S-TN82	DT06-3S-TN81	DT06-3S-TE81	DEUTSCH			
2--4	2--3	2--2	2--1	TE PN			
DT06-3S-CE13	DT06-3S-EP11	DT06-3S-E008	DT06-3S-CE04	COMPARABLE PART			

THIS DRAWING IS A CONTROLLED DOCUMENT.

DWN: C. WAN 15OCT2017
 CHK: E. JIANG 15OCT2017
 APVD: J. YIN 15OCT2017

DIMENSIONS: mm

TOLERANCES UNLESS OTHERWISE SPECIFIED:
 0 PLC ±
 1 PLC ±0.64
 2 PLC ±0.64
 3 PLC ±
 4 PLC ±
 ANGLES ±
 FINISH ±

PRODUCT SPEC: 108-151009
 APPLICATION SPEC: 114-151009

WEIGHT: SEE TABLES

CUSTOMER DRAWING

SCALE: 3:1 SHEET: 2 OF 2 REV: B

NAME: DT SERIES, SNAP CAPS 3 WAY PLUG, DT06-3S-TXXX

SIZE: A2 CAGE CODE: - DRAWING NO: C-2303816 RESTRICTED TO: B

X-ON Electronics

Largest Supplier of Electrical and Electronic Components

Click to view similar products for [Automotive Connectors](#) category:

Click to view products by [TE Connectivity](#) manufacturer:

Other Similar products are found below :

[003-018-000](#) [60993906-B](#) [72.330.1035.1](#) [776880-1](#) [827153-1](#) [9-1326729-8](#) [9-221607-5](#) [925474-1](#) [928905-1](#) [964562-4](#) [968782-1](#) [98891-1012](#) [12004468](#) [12004475-L](#) [12004483](#) [12052466](#) [12066163](#) [12015909](#) [12077753](#) [1-21030-1](#) [12047957](#) [12047958](#) [12084688](#) [12185550](#) [12336-12](#) [1-326211-1](#) [13681974](#) [13688972](#) [13755420](#) [13779834](#) [13783086](#) [13843152](#) [13522378](#) [13581967](#) [13669624](#) [13675513](#) [13753471](#) [13946876](#) [13953457](#) [13955963](#) [13964573](#) [13971791](#) [13790534-L](#) [13797473](#) [13805590](#) [13888202](#) [1428188-1](#) [1437287-3](#) [1428188-2](#) [DS07-19S-5020](#)