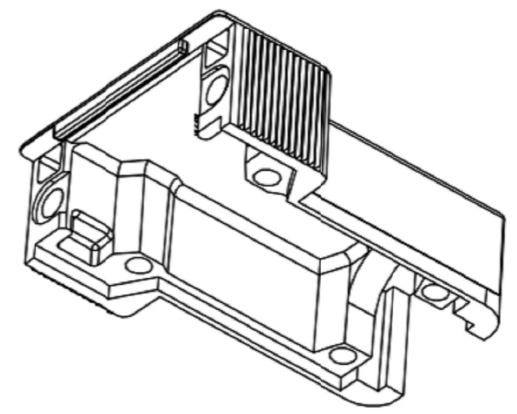
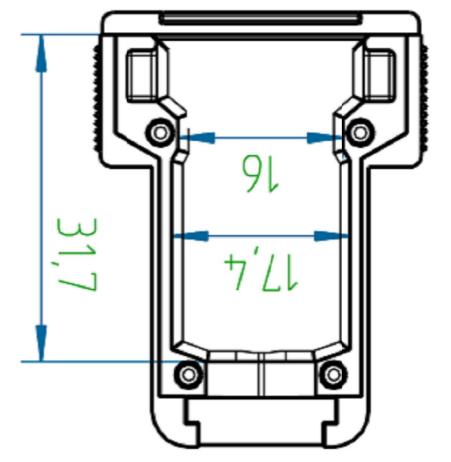
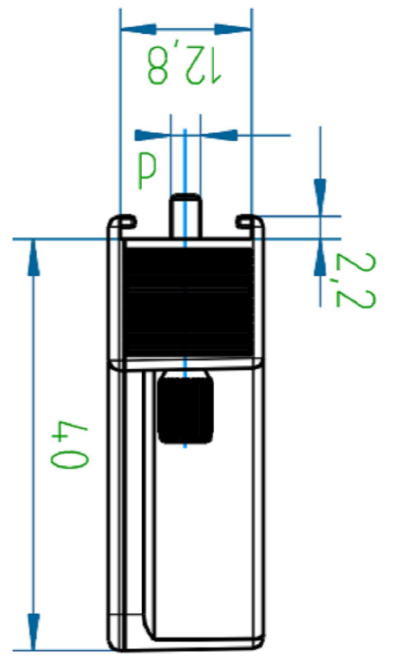
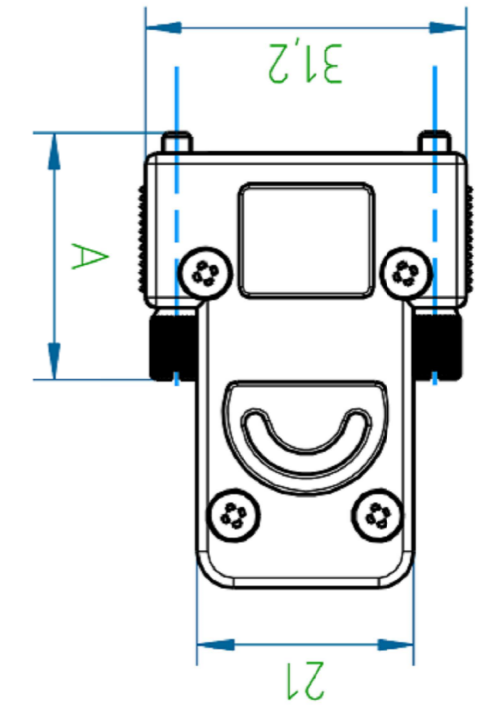
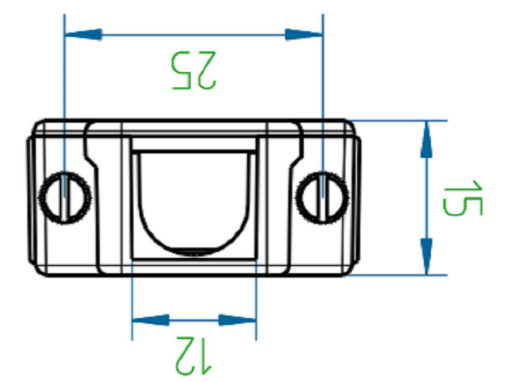


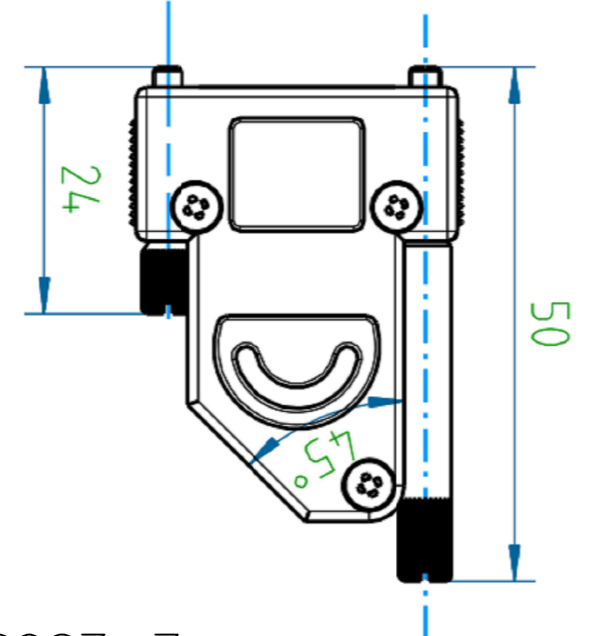
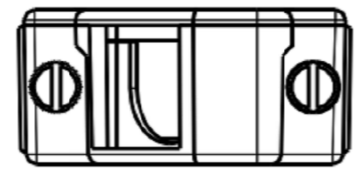
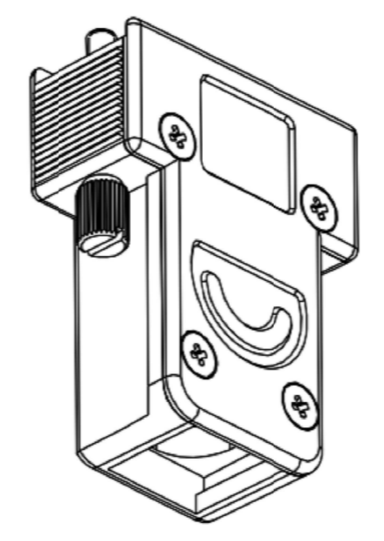
- NOTES:
1. FINISH:
1-2308340-1 TO 2-2308340-2 - CASE RAW.
2-2308340-3 TO 3-2308340-4 - CASE NICKEL-PLATED.
 2. LOCKING SCREWS: NICKEL-PLATED
 3. OTHER SCREWS: ZINC-PLATED
 4. CABLE DIAMETER WITH EXTERNAL DIAMETER CABLE CLAMP: 4-14 mm.
 5. STRAND DIAMETER OF CRIMP FLANGE: 2.7-8.7 mm.



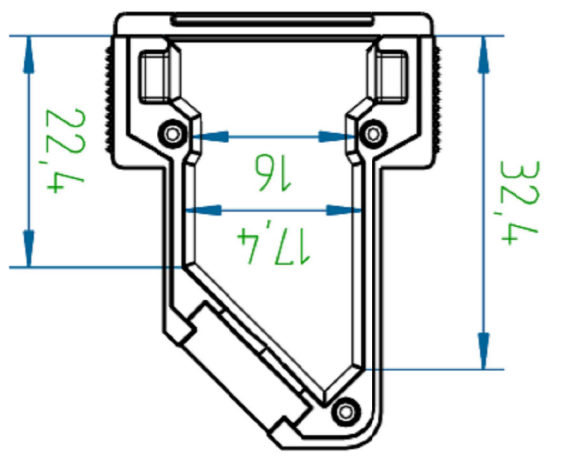
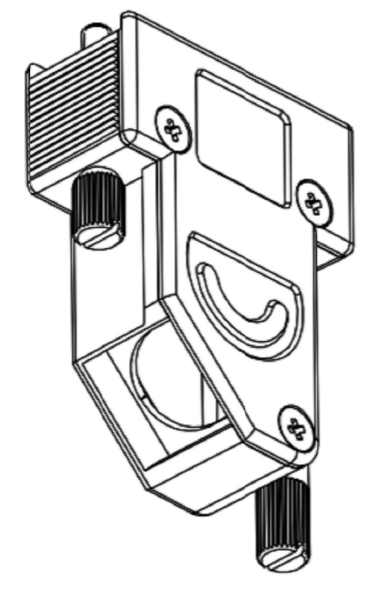
Case



1-2308340-3



2-2308340-1



Case

THIS DRAWING IS A CONTROLLED DOCUMENT.

DMN	02AUG2016	KIRAN K
CHK	02AUG2016	GUNASEKHAR G
APVD	02AUG2016	GUNASEKHAR G
NAME		
PRODUCT SPEC		
APPLICATION SPEC		
WEIGHT		
MATERIAL		
DIMENSIONS: mm		
TOLERANCES UNLESS OTHERWISE SPECIFIED:		
DIN ISO 2768-m		
DIN 16901 130B		
FINISH		
0	PLC	±
1	PLC	±
2	PLC	±
3	PLC	±
4	PLC	±
ANGLES		
±		
±		
±		
±		

CUSTOMER DRAWING		SCALE	NTS	SHEET	1 of 2	REV	A1
APPLICATOR		SIZE	CASE CODE	DRAWING NO	RESTRICTED TO		
PRODUCT SPEC		FULL METAL HOODS SIZE 1					
NAME							
TE Connectivity							

PROJECT	PRJ-16-000909157
PART NO.	X-2308340-X
DESCRIPTION	FULL METAL HOODS SIZE 1
CUSTOMER	GENERAL MARKET

REVISIONS	
P	LTR
DESCRIPTION	
DATE	DMN
19SEP2016	KK
REVISED PER ECR-16-013123	
A1	GG

2308340

CUSTOMER DRAWING		SCALE		NTS		SHEET 2 of 2		REV A1	
WEIGHT		SIZE		CASE CODE		DRAWING NO		RESTRICTED TO	
-		A2		00779		2308340		-	
APPLICATIO SPEC		PRODUCT SPEC		APVD		GUNASEKHAR G		02AUG2016	
-		-		CHK		KIRAN K		02AUG2016	
DIMENSIONS:		TOLERANCES UNLESS OTHERWISE SPECIFIED:		DIN ISO 2768-m		DIN 19901		1.30B	
mm		0 PLG		±		1 PLG		±	
-		2 PLG		±		3 PLG		±	
-		4 PLG		±		FINISH		-	
-		-		-		-		-	

THIS DRAWING IS A CONTROLLED DOCUMENT.

DMN KIRAN K 02AUG2016
CHK GUNASEKHAR G 02AUG2016
APVD GUNASEKHAR G 02AUG2016

NAME: GUNASEKHAR G

PRODUCT SPEC: FULL METAL HOODS SIZE 1

APPLICATIO SPEC: -

WEIGHT: -

SIZE: A2

CASE CODE: 00779

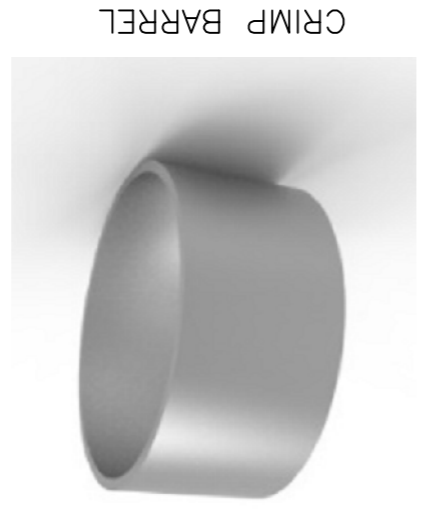
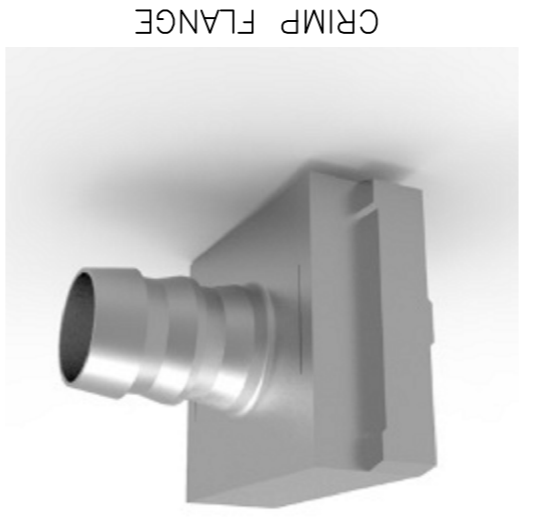
DRAWING NO: 2308340

RESTRICTED TO: -

REV: A1

SHEET: 2 of 2

CUSTOMER DRAWING



NOTE:

- * CRIMP FLANGE PN *-2308349-* TO BE ORDERED SEPARATELY.
- * CRIMP BARREL TO BE USED IN COMBINATION WITH THE FLANGE PN *-2308350-* TO BE ORDERED SEPARATELY.
- * CABLE CLAMP SCREW VERSION PN *-2308272-* TO BE ORDERED SEPARATELY.

PART NO.	DESCRIPTION	PART NO. (CASE NI-PLATED)		SUB-PART NO.	DESCRIPTION	A	D	WEIGHT, g
		VERSION 180*						
		VERSION 135*						
2-2308340-3	FULL METAL HOODS SIZE1-13	2-2308340-9	FULL METAL HOODS SIZE1-19	1-2308334-1	LOCKING SCREW (4-40 UNC W/SPRING WASHER)	20.7	4-40 UNC	38
2-2308340-4	FULL METAL HOODS SIZE1-14	3-2308340-0	FULL METAL HOODS SIZE1-20	1-2308334-2	LOCKING SCREW (M3 W/SPRING WASHER)	20.7	M3	38
2-2308340-5	FULL METAL HOODS SIZE1-15	3-2308340-1	FULL METAL HOODS SIZE1-21	1-2308334-3	LOCKING SCREW (4-40 UNC SHORT KNURLED)	24.0	4-40 UNC	39
2-2308340-6	FULL METAL HOODS SIZE1-16	3-2308340-2	FULL METAL HOODS SIZE1-22	1-2308334-4	LOCKING SCREW (M3 SHORT KNURLED)	24.0	M3	39
2-2308340-7	FULL METAL HOODS SIZE1-17	-	-	1-2308334-5	LOCKING SCREW (4-40 UNC LONG KNURLED)	50.0	4-40 UNC	47
2-2308340-8	FULL METAL HOODS SIZE1-18	-	-	1-2308334-6	LOCKING SCREW (M3 LONG KNURLED)	50.0	M3	47
-	-	3-2308340-3	FULL METAL HOODS SIZE1-23	1-2308334-3	LOCKING SCREW (4-40 UNC LONG KNURLED)	OVER	4-40 UNC	43
-	-	3-2308340-4	FULL METAL HOODS SIZE1-24	1-2308334-6	LOCKING SCREW (M3 LONG KNURLED)	S	M3	43

PART NO.	DESCRIPTION	PART NO. (CASE RAW)		SUB-PART NO.	DESCRIPTION	A	D	WEIGHT, g
		VERSION 180*						
		VERSION 135*						
1-2308340-1	FULL METAL HOODS SIZE1-1	1-2308340-7	FULL METAL HOODS SIZE1-7	1-2308334-1	LOCKING SCREW (4-40 UNC W/SPRING WASHER)	20.7	4-40 UNC	38
1-2308340-2	FULL METAL HOODS SIZE1-2	1-2308340-8	FULL METAL HOODS SIZE1-8	1-2308334-2	LOCKING SCREW (M3 W/SPRING WASHER)	20.7	M3	38
1-2308340-3	FULL METAL HOODS SIZE1-3	1-2308340-9	FULL METAL HOODS SIZE1-9	1-2308334-3	LOCKING SCREW (4-40 UNC SHORT KNURLED)	24.0	4-40 UNC	39
1-2308340-4	FULL METAL HOODS SIZE1-4	2-2308340-0	FULL METAL HOODS SIZE1-10	1-2308334-4	LOCKING SCREW (M3 SHORT KNURLED)	24.0	M3	39
1-2308340-5	FULL METAL HOODS SIZE1-5	-	-	1-2308334-5	LOCKING SCREW (4-40 UNC LONG KNURLED)	50.0	4-40 UNC	47
1-2308340-6	FULL METAL HOODS SIZE1-6	-	-	1-2308334-6	LOCKING SCREW (M3 LONG KNURLED)	50.0	M3	47
-	-	2-2308340-1	FULL METAL HOODS SIZE1-11	1-2308334-5	LOCKING SCREW (4-40 UNC LONG KNURLED)	OVER	4-40 UNC	43
-	-	2-2308340-2	FULL METAL HOODS SIZE1-12	1-2308334-6	LOCKING SCREW (M3 LONG KNURLED)	S	M3	43

REV	DESCRIPTION	DATE	DMN	APVD
-	SEE SHEET 1	-	-	-

THIS DRAWING IS UNPUBLISHED. RELEASED FOR PUBLICATION. ALL RIGHTS RESERVED.

X-ON Electronics

Largest Supplier of Electrical and Electronic Components

Click to view similar products for [D-Sub Backshells](#) category:

Click to view products by [TE Connectivity](#) manufacturer:

Other Similar products are found below :

[173114-0084](#) [173112-1658](#) [600X51137X](#) [600X54009X](#) [66241-12A](#) [M85049/48-1-2](#) [M85049/48-3-5F](#) [M85049/6-38N](#) [M85049/86-12N03](#)
[70.350.0636.4](#) [70.350.2435.1](#) [72.350.1035.2](#) [72.352.2435.1](#) [73.359.4035.3](#) [799-015TMH07M](#) [799-015TMH08N](#) [FKH1RE](#) [829472-1](#) [F-](#)
[PHG-1E](#) [F-PHG-3E](#) [F-PHG-4E](#) [F-PHR-4E](#) [PCS-E20W](#) [8655MHRA0901KLF](#) [8655MHRA2501KLF](#) [958-009-010R011](#) [970-015-040R011](#)
[970-025-030R121](#) [970-025-040R011](#) [971-009-030R121](#) [971-009-040R011](#) [971-015-040R011](#) [971-025-040R011](#) [GS85049/38-25M](#) [975T009-](#)
[020R121](#) [975T015-020R121](#) [1-21986-2](#) [1-21986-5](#) [DB-20962](#) [DE-C8-J9-F4-1R](#) [DE-C8-J9-F5-1R](#) [DPH-B-003](#) [1437013-9](#) [1484402-8](#)
[MS3057-10A](#) [156-3025-EX](#) [MS3417-16C](#) [16-500800](#) [165X02659X](#) [165X03329A](#)