

|                              |                         |                          |  |
|------------------------------|-------------------------|--------------------------|--|
| THIS DRAWING IS UNPUBLISHED. |                         | RELEASED FOR PUBLICATION |  |
| © COPYRIGHT - By -           |                         | ALL RIGHTS RESERVED.     |  |
| PROJECT                      | PRJ-16-000909157        |                          |  |
| PART NO.                     | X-2308340-X             |                          |  |
| DESCRIPTION                  | FULL METAL HOODS SIZE 1 |                          |  |
| CUSTOMER                     | GENERAL MARKET          |                          |  |

| REVISIONS |     |                           |           |     |      |
|-----------|-----|---------------------------|-----------|-----|------|
| P         | LTR | DESCRIPTION               | DATE      | DWN | APVD |
|           | A1  | REVISED PER ECR-16-013123 | 19SEP2016 | KK  | GG   |

D

C

B

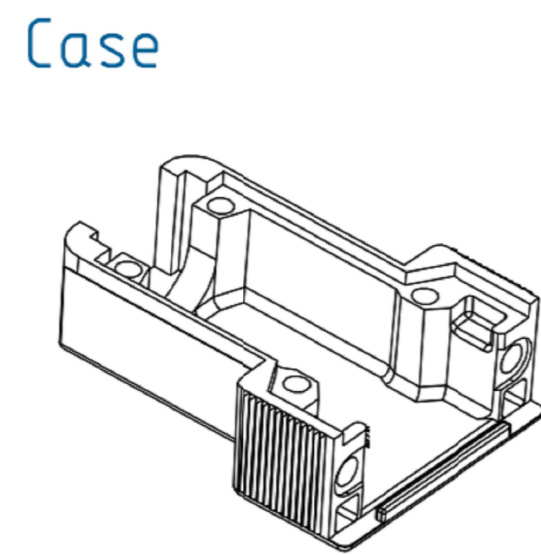
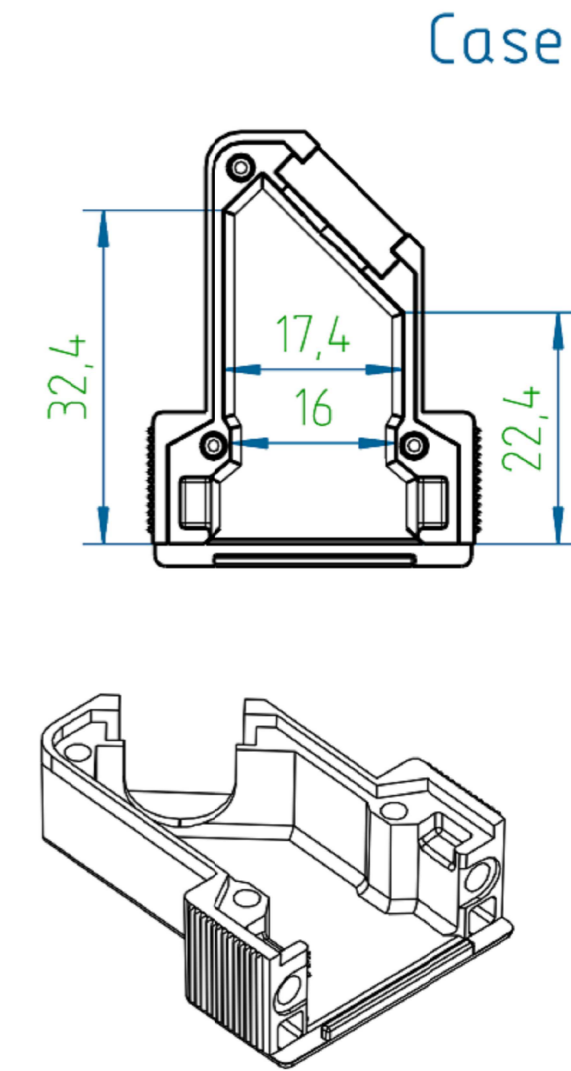
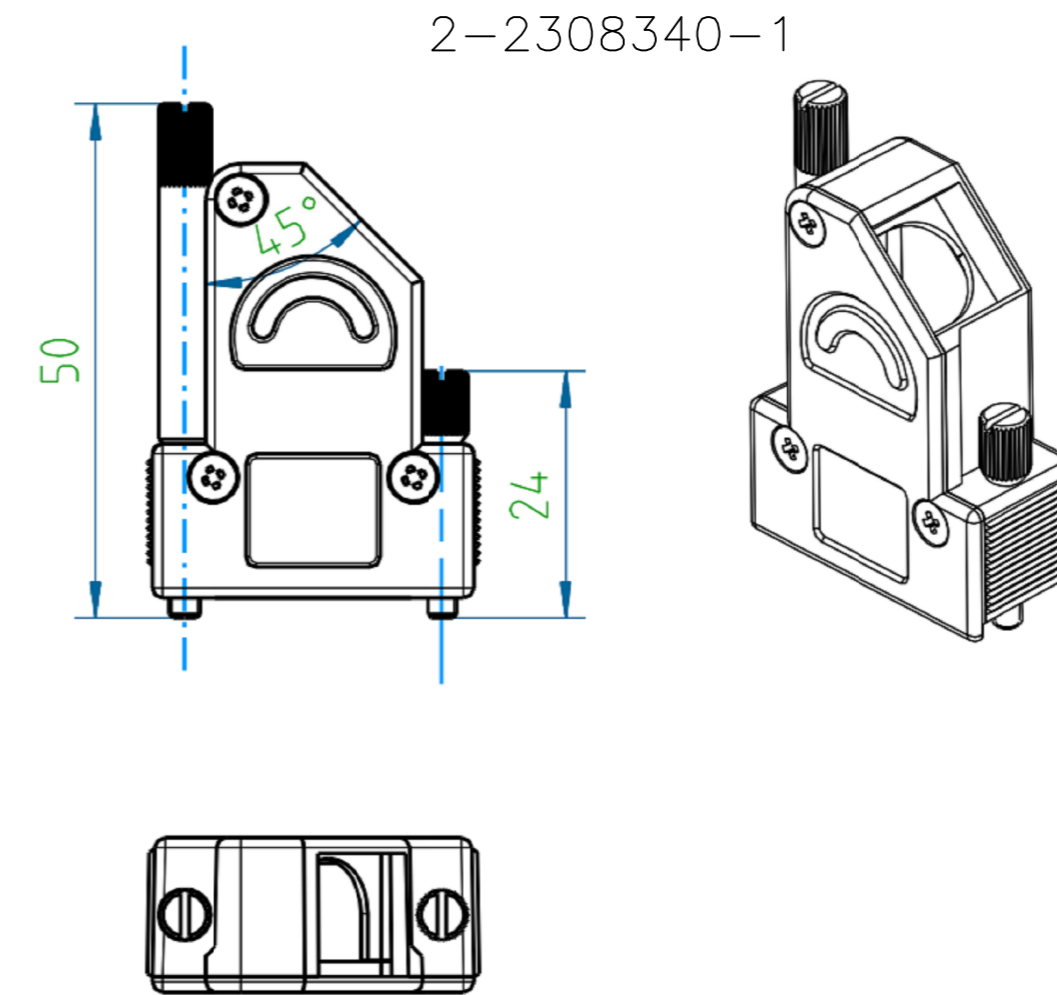
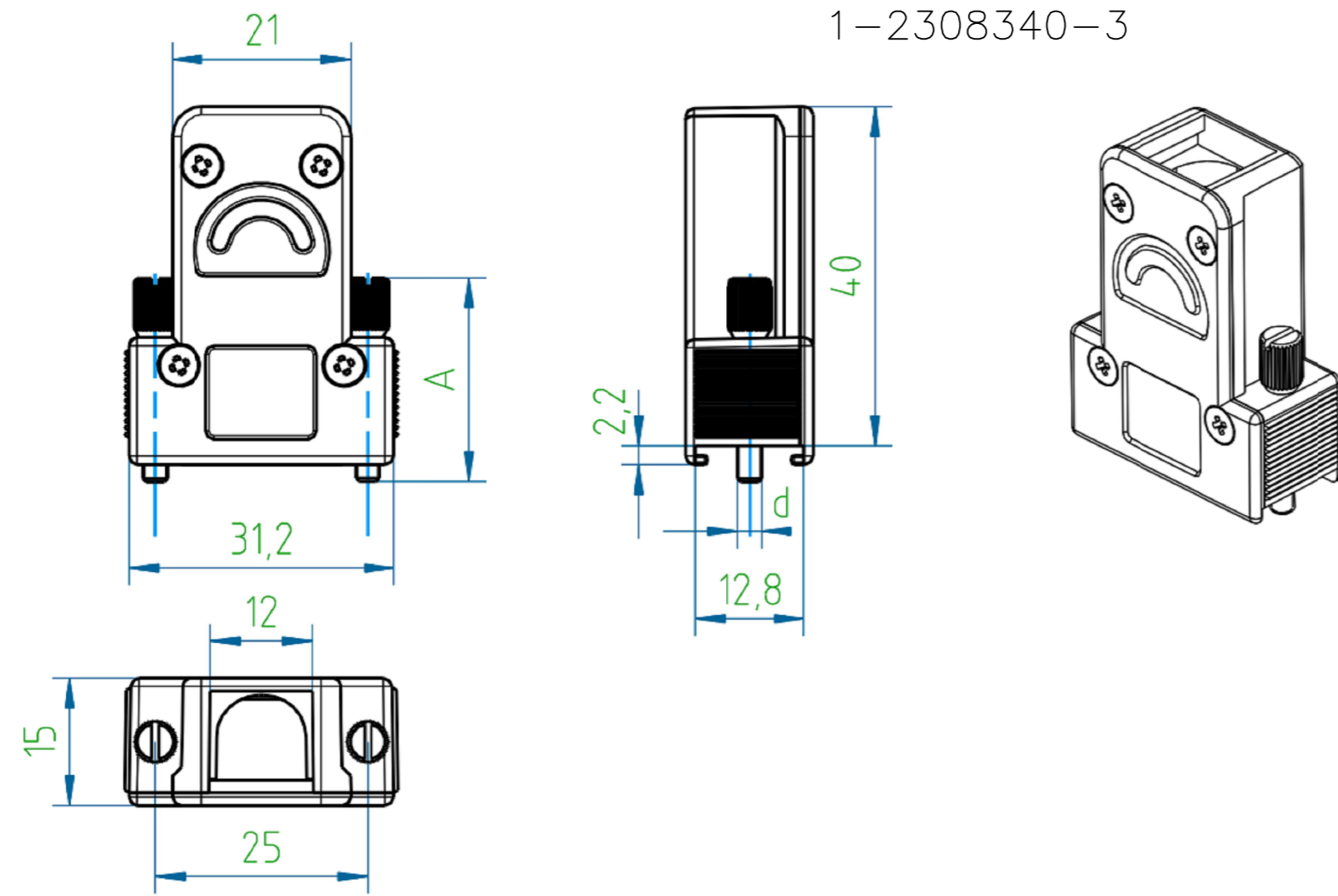
A

D

C

B

A



NOTES:

- FINISH:  
1-2308340-1 TO 2-2308340-2 - CASE RAW.  
2-2308340-3 TO 3-2308340-4 - CASE NICKEL-PLATED.
- LOCKING SCREWS: NICKEL-PLATED  
OTHER SCREWS: ZINC-PLATED
- TEMPERATURE RANGE: -40°C TO +90°C
- CABLE DIAMETER WITH EXTERNAL DIAMETER CABLE CLAMP: 4-14 mm.
- STRAND DIAMETER OF CRIMP FLANGE: 2.7-8.7 mm.

|   |  |                                   |                                 |                    |
|---|--|-----------------------------------|---------------------------------|--------------------|
| THIS DRAWING IS A CONTROLLED DOCUMENT.                                      |  | DWN<br>KIRAN K<br>02AUG2016       |                                 |                    |
| DIMENSIONS:<br>mm   |  | CHK<br>GUNASEKHAR G<br>02AUG2016  |                                 |                    |
| TOLERANCES UNLESS OTHERWISE SPECIFIED:<br>DIN ISO 2768-m<br>DIN 16901 130B  |  | APVD<br>GUNASEKHAR G<br>02AUG2016 | NAME<br>FULL METAL HOODS SIZE 1 |                    |
| 0 PLC ± -<br>1 PLC ± -<br>2 PLC ± -<br>3 PLC ± -<br>4 PLC ± -<br>ANGLES ± - |  | PRODUCT SPEC                      | APPLICATION SPEC                |                    |
| MATERIAL  |  | WEIGHT                            | SIZE<br>A2                      | CAGE CODE<br>00779 |
|   |  | CUSTOMER DRAWING                  | DRAWING NO<br>G=2308340         | RESTRICTED TO      |
|   |  | SCALE<br>NTS                      | SHEET<br>1 of 2                 | REV<br>A1          |

THIS DRAWING IS UNPUBLISHED. RELEASED FOR PUBLICATION  
 © COPYRIGHT - By - ALL RIGHTS RESERVED.

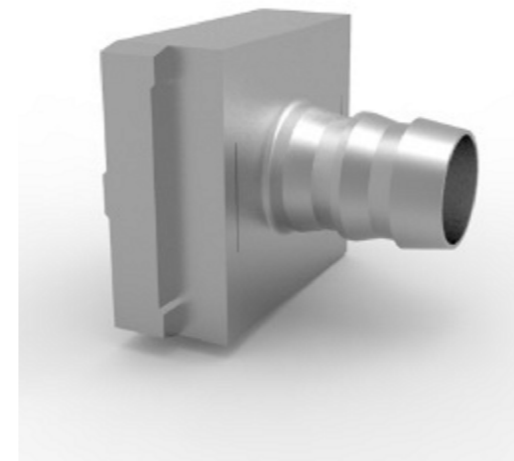
| REVISIONS |     |             |      |     |      |
|-----------|-----|-------------|------|-----|------|
| P         | LTR | DESCRIPTION | DATE | DWN | APVD |
| -         | -   | SEE SHEET 1 | -    | -   | -    |

| PART NO.            | DESCRIPTION              | PART NO.     | DESCRIPTION               | SUB-PART NO.   | DESCRIPTION                              | S OVER                                | M3       | WEIGHT, g |
|---------------------|--------------------------|--------------|---------------------------|----------------|--|---------------------------------------|----------|-----------|
| -                   | -                        | 2-2308340-2  | FULL METAL HOODS SIZE1-12 | 1-2308334-6    | 1-2308334-4                              | LOCKING SCREW (M3 LONG KNURLED)       | M3       | 43        |
| -                   | -                        | 2-2308340-1  | FULL METAL HOODS SIZE1-11 | 1-2308334-5    | 1-2308334-3                              | LOCKING SCREW (4-40 UNC LONG KNURLED) | 4-40 UNC | 43        |
| 1-2308340-6         | FULL METAL HOODS SIZE1-6 | -            | -                         | 1-2308334-6    | LOCKING SCREW (M3 LONG KNURLED)          | 50.0                                  | M3       | 47        |
| 1-2308340-5         | FULL METAL HOODS SIZE1-5 | -            | -                         | 1-2308334-5    | LOCKING SCREW (4-40 UNC LONG KNURLED)    | 50.0                                  | 4-40 UNC | 47        |
| 1-2308340-4         | FULL METAL HOODS SIZE1-4 | 2-2308340-0  | FULL METAL HOODS SIZE1-10 | 1-2308334-4    | LOCKING SCREW (M3 SHORT KNURLED)         | 24.0                                  | M3       | 39        |
| 1-2308340-3         | FULL METAL HOODS SIZE1-3 | 1-2308340-9  | FULL METAL HOODS SIZE1-9  | 1-2308334-3    | LOCKING SCREW (4-40 UNC SHORT KNURLED)   | 24.0                                  | 4-40 UNC | 39        |
| 1-2308340-2         | FULL METAL HOODS SIZE1-2 | 1-2308340-8  | FULL METAL HOODS SIZE1-8  | 1-2308334-2    | LOCKING SCREW (M3 W/SPRING WASHER)       | 20.7                                  | M3       | 38        |
| 1-2308340-1         | FULL METAL HOODS SIZE1-1 | 1-2308340-7  | FULL METAL HOODS SIZE1-7  | 1-2308334-1    | LOCKING SCREW (4-40 UNC W/SPRING WASHER) | 20.7                                  | 4-40 UNC | 38        |
| VERSION 180*        |                          | VERSION 135* |                           | LOCKING SCREWS |  | A                                     | d        | WEIGHT, g |
| PART NO. (CASE RAW) |                          |              |                           |                |  |                                       |          |           |

| PART NO.                  | DESCRIPTION               | PART NO.     | DESCRIPTION               | SUB-PART NO.   | DESCRIPTION                              | S OVER                                | M3       | WEIGHT, g |
|---------------------------|---------------------------|--------------|---------------------------|----------------|--|---------------------------------------|----------|-----------|
| -                         | -                         | 3-2308340-4  | FULL METAL HOODS SIZE1-24 | 1-2308334-6    | 1-2308334-4                              | LOCKING SCREW (M3 LONG KNURLED)       | M3       | 43        |
| -                         | -                         | 3-2308340-3  | FULL METAL HOODS SIZE1-23 | 1-2308334-5    | 1-2308334-3                              | LOCKING SCREW (4-40 UNC LONG KNURLED) | 4-40 UNC | 43        |
| 2-2308340-8               | FULL METAL HOODS SIZE1-18 | -            | -                         | 1-2308334-6    | LOCKING SCREW (M3 LONG KNURLED)          | 50.0                                  | M3       | 47        |
| 2-2308340-7               | FULL METAL HOODS SIZE1-17 | -            | -                         | 1-2308334-5    | LOCKING SCREW (4-40 UNC LONG KNURLED)    | 50.0                                  | 4-40 UNC | 47        |
| 2-2308340-6               | FULL METAL HOODS SIZE1-16 | 3-2308340-2  | FULL METAL HOODS SIZE1-22 | 1-2308334-4    | LOCKING SCREW (M3 SHORT KNURLED)         | 24.0                                  | M3       | 39        |
| 2-2308340-5               | FULL METAL HOODS SIZE1-15 | 3-2308340-1  | FULL METAL HOODS SIZE1-21 | 1-2308334-3    | LOCKING SCREW (4-40 UNC SHORT KNURLED)   | 24.0                                  | 4-40 UNC | 39        |
| 2-2308340-4               | FULL METAL HOODS SIZE1-14 | 3-2308340-0  | FULL METAL HOODS SIZE1-20 | 1-2308334-2    | LOCKING SCREW (M3 W/SPRING WASHER)       | 20.7                                  | M3       | 38        |
| 2-2308340-3               | FULL METAL HOODS SIZE1-13 | 2-2308340-9  | FULL METAL HOODS SIZE1-19 | 1-2308334-1    | LOCKING SCREW (4-40 UNC W/SPRING WASHER) | 20.7                                  | 4-40 UNC | 38        |
| VERSION 180*              |                           | VERSION 135* |                           | LOCKING SCREWS |  | A                                     | d        | WEIGHT, g |
| PART NO. (CASE Ni-PLATED) |                           |              |                           |                |  |                                       |          |           |

NOTE:

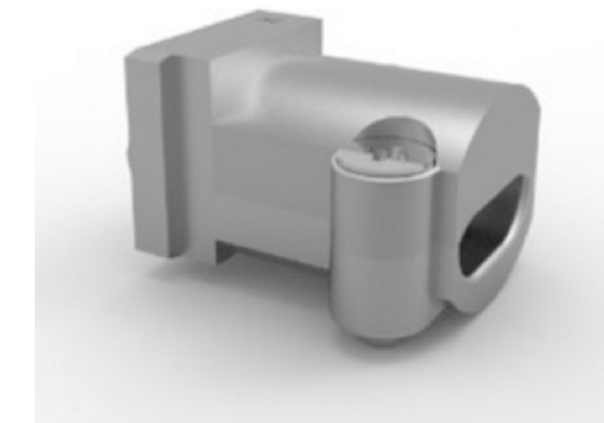
- \* CRIMP FLANGE PN \*-2308349-\* TO BE ORDERED SEPARATELY.
- \* CRIMP BARREL TO BE USED IN COMBINATION WITH THE FLANGE PN \*-2308350-\* TO BE ORDERED SEPARATELY.
- \* CABLE CLAMP SCREW VERSION PN \*-2308272-\* TO BE ORDERED SEPARATELY.



CRIMP FLANGE



CRIMP BARREL



CABLE CLAMP

|  |  |                                   |                                 |                         |
|--|--|-----------------------------------|---------------------------------|-------------------------|
| THIS DRAWING IS A CONTROLLED DOCUMENT.                                     |  | DWN<br>KIRAN K<br>02AUG2016       |                                 |                         |
| DIMENSIONS: mm   |  | CHK<br>GUNASEKHAR G<br>02AUG2016  |                                 |                         |
| TOLERANCES UNLESS OTHERWISE SPECIFIED:<br>DIN ISO 2768-m<br>DIN 16901 130B |  | APVD<br>GUNASEKHAR G<br>02AUG2016 | NAME<br>FULL METAL HOODS SIZE 1 |                         |
|  |  | PRODUCT SPEC                      | SIZE<br>A2                      |                         |
| MATERIAL   |  | APPLICATION SPEC                  | CAGE CODE<br>00779              | DRAWING NO<br>G=2308340 |
| FINISH   |  | WEIGHT                            | RESTRICTED TO                   | SCALE<br>NTS            |
|  |  | CUSTOMER DRAWING                  | SHEET<br>2 of 2                 | REV<br>A1               |

## X-ON Electronics

Largest Supplier of Electrical and Electronic Components

*Click to view similar products for [D-Sub Backshells](#) category:*

*Click to view products by [TE Connectivity](#) manufacturer:*

Other Similar products are found below :

[600X54009X](#) [M85049/6-38N](#) [M85049/86-12N03](#) [M85049/90-13P03](#) [70.350.0636.4](#) [70.350.2435.1](#) [72.350.1035.2](#) [72.352.2435.1](#)  
[73.359.4035.3](#) [829472-1](#) [PCS-E20W](#) [970-015-040R011](#) [971-009-030R121](#) [971-009-040R011](#) [971-015-040R011](#) [DPH-B-003](#) [1437013-9](#)  
[1484402-8](#) [156-3025-EX](#) [16-500800](#) [165X02659X](#) [165X03329A](#) [165X03399A](#) [165X10259X](#) [165X11759X](#) [165X11889X](#) [165X11899X](#)  
[165X13019X](#) [165X13029X](#) [165X13169X](#) [165X13199X](#) [165X13239X](#) [165X13389X](#) [165X13489X](#) [165X14219X](#) [165X14429X](#)  
[165X14449X](#) [165X17409X](#) [165X17439X](#) [165X17569X](#) [165X17599X](#) [165X17609X](#) [165X17889X](#) [165X17979X](#) [L171373](#) [971-025-](#)  
[030R121](#) [300X10989X](#) [165X02609X](#) [165X02639X](#) [165X02689X](#)