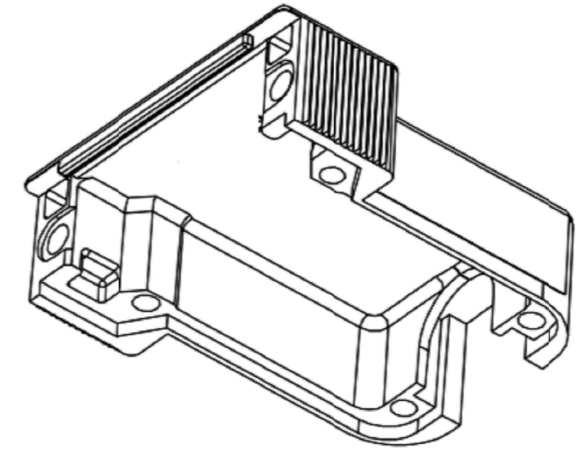
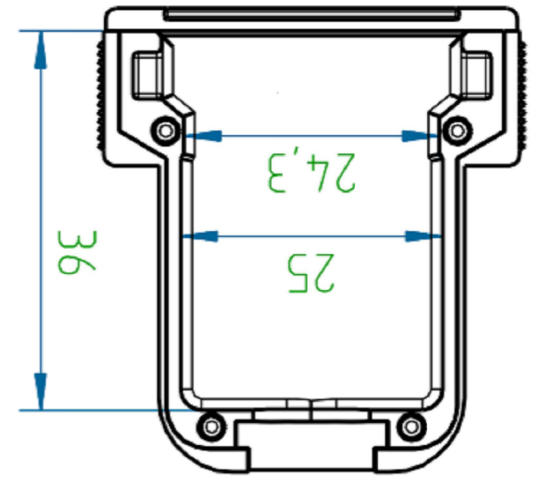
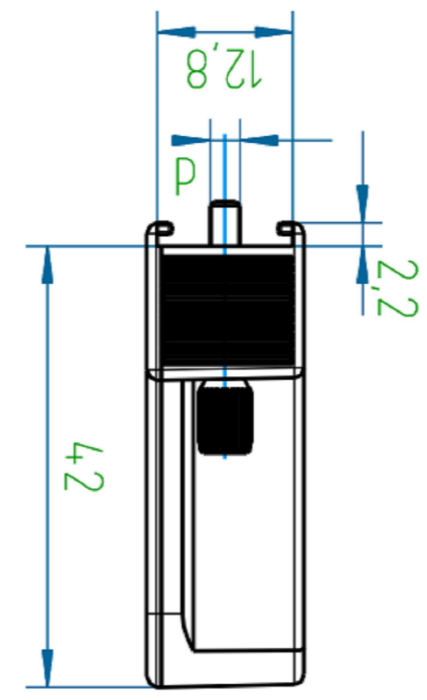
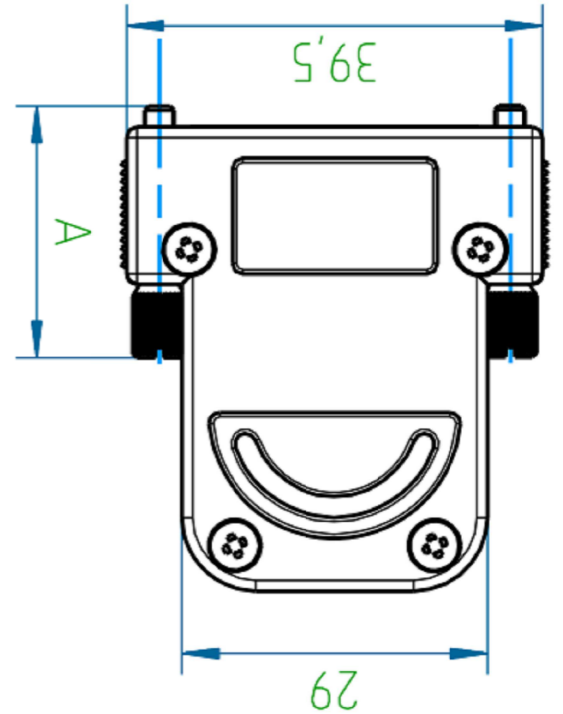
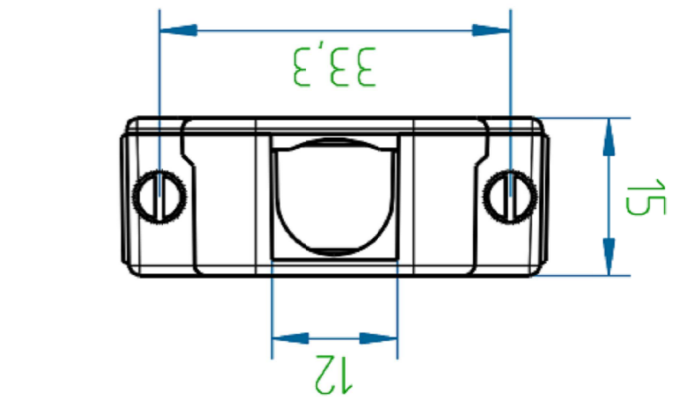


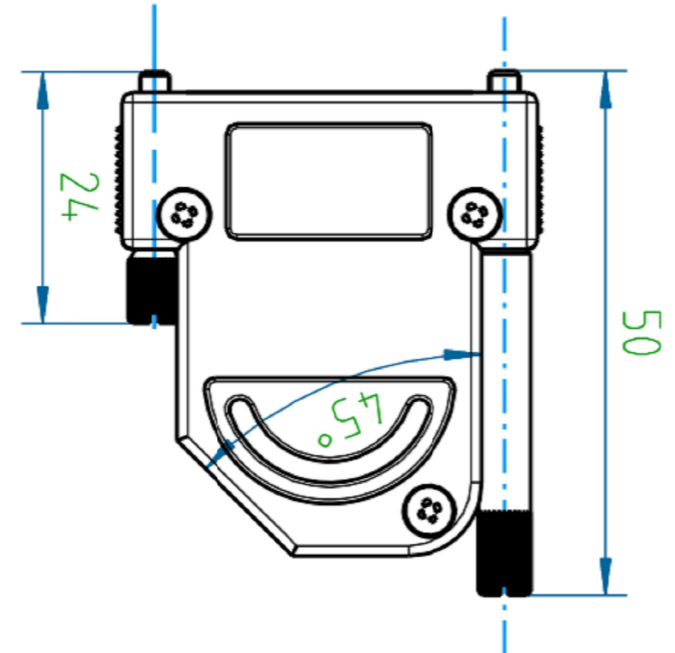
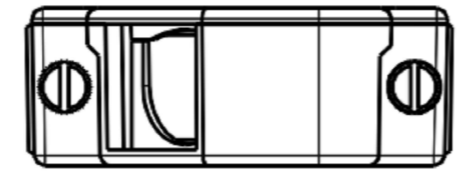
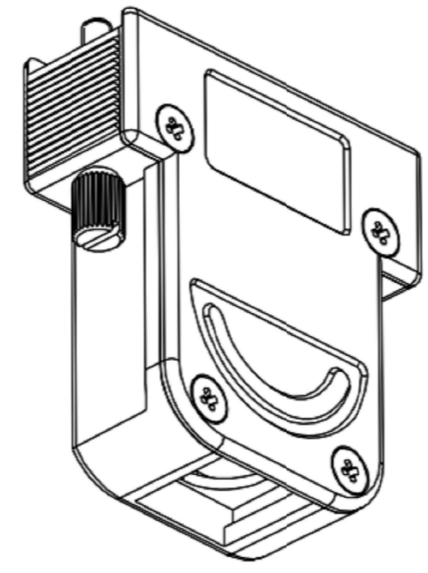
- NOTES:
1. FINISH:
1-2308341-1 TO 2-2308341-2- CASE RAW
2-2308341-3 TO 3-2308341-4 - CASE NICKEL-PLATED
OTHER SCREWS: NICKEL-PLATED
 2. LOCKING SCREWS: NICKEL-PLATED
 3. TEMPERATURE RANGE: -40°C TO +90°C
 4. CABLE DIAMETER WITH EXTERNAL DIAMETER CABLE CLAMP: 4-14 mm.
 5. STRAND DIAMETER OF CRIMP FLANGE: 2.7-8.7 mm.



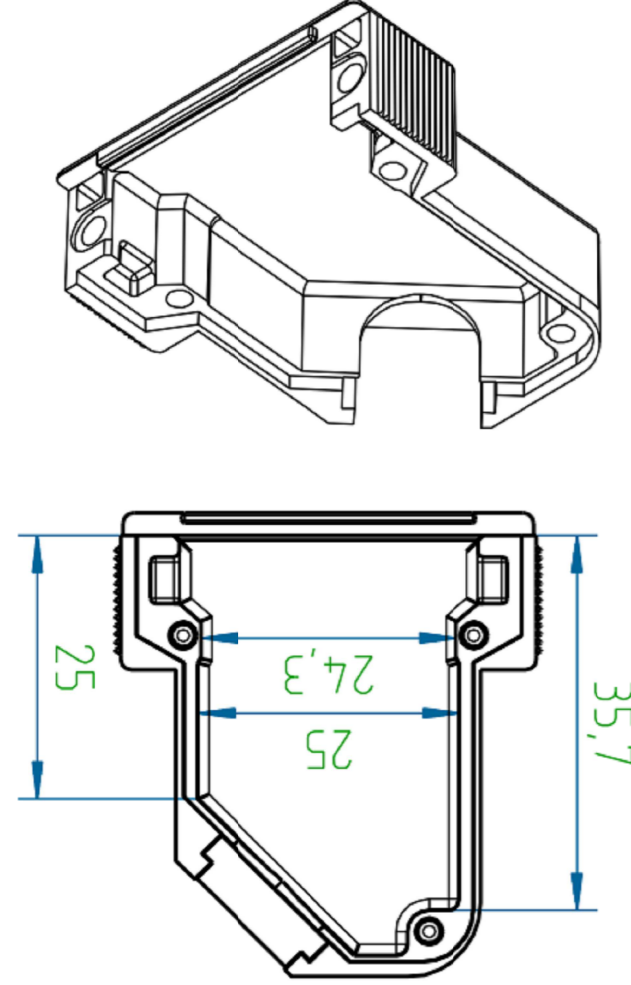
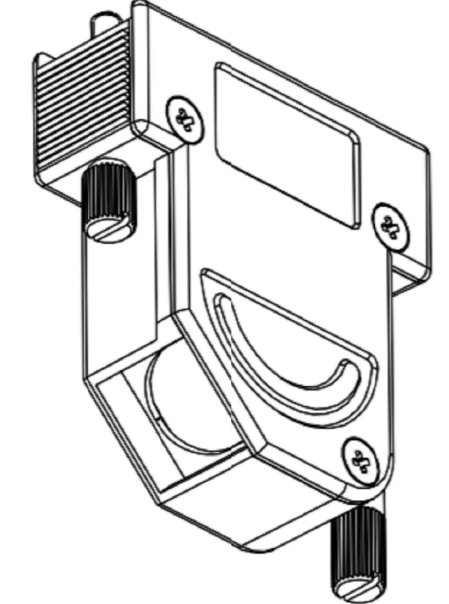
Case



1-2308341-3



2-2308341-1



Case

THIS DRAWING IS A CONTROLLED DOCUMENT.

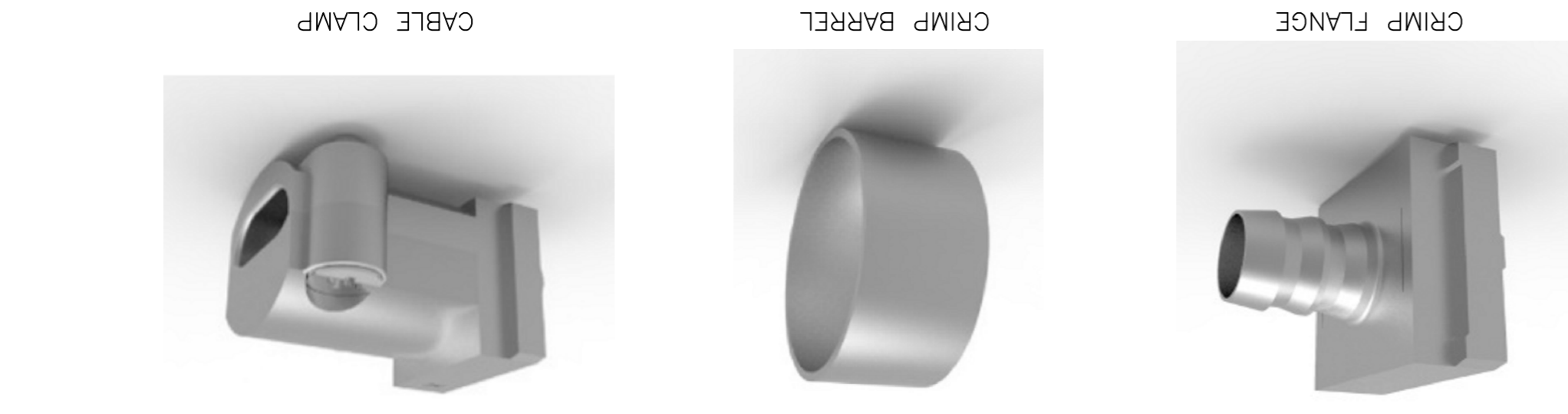
DMN	02AUG2016	KIRAN K	APVD	02AUG2016	GUNASEKHAR G
CHK	02AUG2016	GUNASEKHAR G	NAME	FULL METAL HOODS SIZE 2	
TOLERANCES UNLESS OTHERWISE SPECIFIED:			SCALE NTS		
0 PLG	±	0.15	SIZE	A2 00779	
1 PLG	±	0.25	CASE CODE	DRAWING NO	
2 PLG	±	0.30	PRODUCT SPEC	2308341	
3 PLG	±	0.40	APPLICATION SPEC	RESTRICTED TO	
4 PLG	±	0.50	WEIGHT	-	
FINISH			CUSTOMER DRAWING		
-			SHEET 1 OF 2		
-			REV A1		

2308341

PROJECT	PRJ-16-000909157
PART NO.	X-2308341-X
DESCRIPTION	FULL METAL HOODS SIZE 2
CUSTOMER	GENERAL MARKET

REVISIONS	
P	LTR
DESCRIPTION	
DATE	DMN
19SEP2016	KK
REVISED PER ECR-16-013123	GG

THIS DRAWING IS A CONTROLLED DOCUMENT.		DWN KIRAN K		02AUG2016	
APPROVED: GUNASEKHAR G		CHK: GUNASEKHAR G		02AUG2016	
TOLERANCES UNLESS OTHERWISE SPECIFIED: DIN ISO 2768-m DIN 16901 130B		APPROVED: GUNASEKHAR G		02AUG2016	
DIMENSIONS: mm		NAME: GUNASEKHAR G		02AUG2016	
MATERIAL: -		FINISH: -		WEIGHT: -	
ANGLES: 4 PLG ± -		APPLICATION SPEC: -		PRODUCT SPEC: -	
3 PLG ± -		DRAWING NO: 2308341		CASE CODE: 00779	
2 PLG ± -		SCALE: A2		SHEET: 2 of 2	
1 PLG ± -		CUSTOMER DRAWING: NTS		REV: A1	
0 PLG ± -		RESTRICTED TO: -		REV: A1	



NOTE:
 * CRIMP FLANGE PN *-2308349-* TO BE ORDERED SEPARATELY.
 * CRIMP BARREL TO BE USED IN COMBINATION WITH THE FLANGE PN *-2308350-* TO BE ORDERED SEPARATELY.
 * CABLE CLAMP SCREW VERSION PN *-2308272-* TO BE ORDERED SEPARATELY.

WEIGHT, g	d	A	LOCKING SCREWS			
			DESCRIPTION	SUB-PART NO.	PART NO. (CASE N-PLATED)	
					VERSION 180	VERSION 135
51	M3	OVER S	LOCKING SCREW (M3 SHORT KNURLED)	1-230834-4	3-2308341-4	3-2308341-4
51	4-40 UNC		LOCKING SCREW (4-40 UNC SHORT KNURLED)	1-230834-3	3-2308341-3	3-2308341-3
55	M3	OVER S	LOCKING SCREW (M3 LONG KNURLED)	1-230834-6	-	-
55	4-40 UNC		LOCKING SCREW (4-40 UNC LONG KNURLED)	1-230834-5	-	-
47	M3	OVER S	LOCKING SCREW (M3 SHORT KNURLED)	1-230834-4	2-2308341-6	2-2308341-6
47	4-40 UNC		LOCKING SCREW (4-40 UNC SHORT KNURLED)	1-230834-3	2-2308341-5	2-2308341-5
46	M3	OVER S	LOCKING SCREW (M3 W/SPRING WASHER)	1-230834-2	2-2308341-4	2-2308341-4
46	4-40 UNC		LOCKING SCREW (4-40 UNC W/SPRING WASHER)	1-230834-1	2-2308341-3	2-2308341-3

WEIGHT, g	d	A	LOCKING SCREWS			
			DESCRIPTION	SUB-PART NO.	PART NO. (CASE RAW)	
					VERSION 180	VERSION 135
51	M3	OVER S	LOCKING SCREW (M3 SHORT KNURLED)	1-230834-4	2-2308341-2	2-2308341-2
51	4-40 UNC		LOCKING SCREW (4-40 UNC SHORT KNURLED)	1-230834-3	2-2308341-1	2-2308341-1
55	M3	OVER S	LOCKING SCREW (M3 LONG KNURLED)	1-230834-6	-	-
55	4-40 UNC		LOCKING SCREW (4-40 UNC LONG KNURLED)	1-230834-5	-	-
47	M3	OVER S	LOCKING SCREW (M3 SHORT KNURLED)	1-230834-4	1-2308341-0	1-2308341-0
47	4-40 UNC		LOCKING SCREW (4-40 UNC SHORT KNURLED)	1-230834-3	1-2308341-9	1-2308341-9
46	M3	OVER S	LOCKING SCREW (M3 W/SPRING WASHER)	1-230834-2	1-2308341-8	1-2308341-8
46	4-40 UNC		LOCKING SCREW (4-40 UNC W/SPRING WASHER)	1-230834-1	1-2308341-7	1-2308341-7

REVISIONS	DATE	DWN	APVD
DESCRIPTION			
P	LTR		
SEE SHEET 1			

THIS DRAWING IS UNPUBLISHED. RELEASED FOR PUBLICATION. ALL RIGHTS RESERVED. COPYRIGHT - - - BY - - -

B 2308341

C

D

A

A

B

C

D

X-ON Electronics

Largest Supplier of Electrical and Electronic Components

Click to view similar products for [D-Sub Backshells](#) category:

Click to view products by [TE Connectivity](#) manufacturer:

Other Similar products are found below :

[173114-0084](#) [173112-1658](#) [600X51137X](#) [600X54009X](#) [66241-12A](#) [M85049/48-1-2](#) [M85049/48-3-5F](#) [M85049/6-38N](#) [M85049/86-12N03](#)
[70.350.0636.4](#) [70.350.2435.1](#) [72.350.1035.2](#) [72.352.2435.1](#) [73.359.4035.3](#) [799-015TMH07M](#) [799-015TMH08N](#) [FKH1RE](#) [829472-1](#) [F-](#)
[PHG-1E](#) [F-PHG-3E](#) [F-PHG-4E](#) [F-PHR-4E](#) [PCS-E20W](#) [8655MHRA0901KLF](#) [8655MHRA2501KLF](#) [958-009-010R011](#) [970-015-040R011](#)
[970-025-030R121](#) [970-025-040R011](#) [971-009-030R121](#) [971-009-040R011](#) [971-015-040R011](#) [971-025-040R011](#) [GS85049/38-25M](#) [975T009-](#)
[020R121](#) [975T015-020R121](#) [1-21986-2](#) [1-21986-5](#) [DB-20962](#) [DE-C8-J9-F4-1R](#) [DE-C8-J9-F5-1R](#) [DPH-B-003](#) [1437013-9](#) [1484402-8](#)
[MS3057-10A](#) [156-3025-EX](#) [MS3417-16C](#) [16-500800](#) [165X02659X](#) [165X03329A](#)