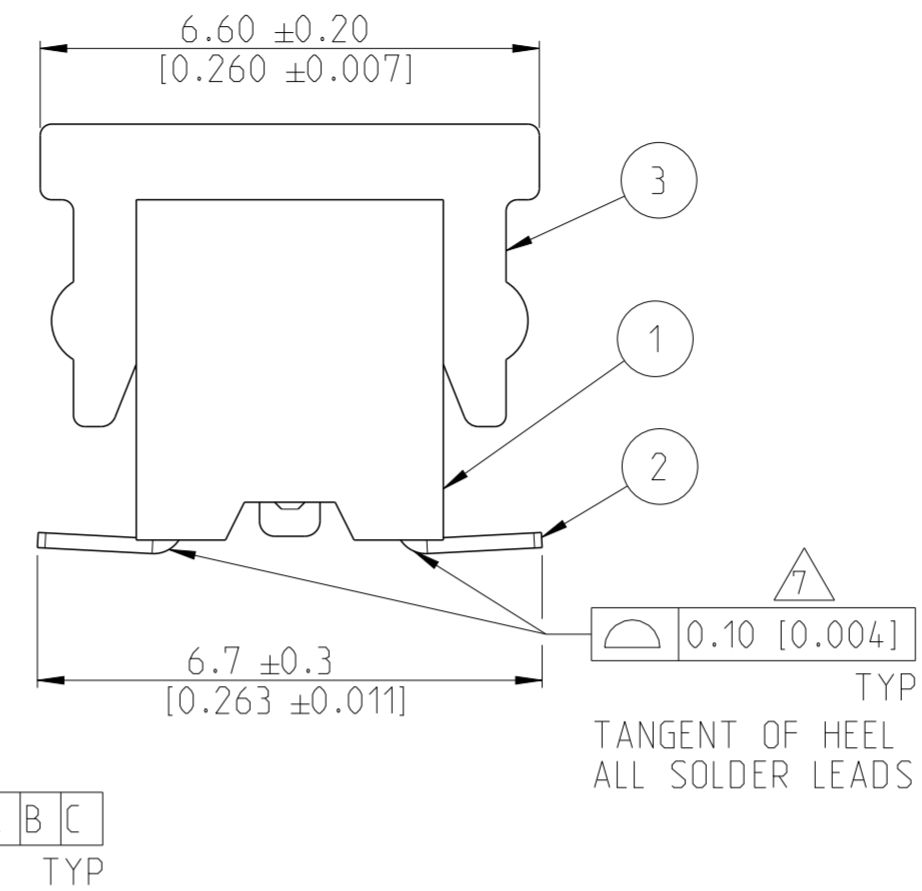
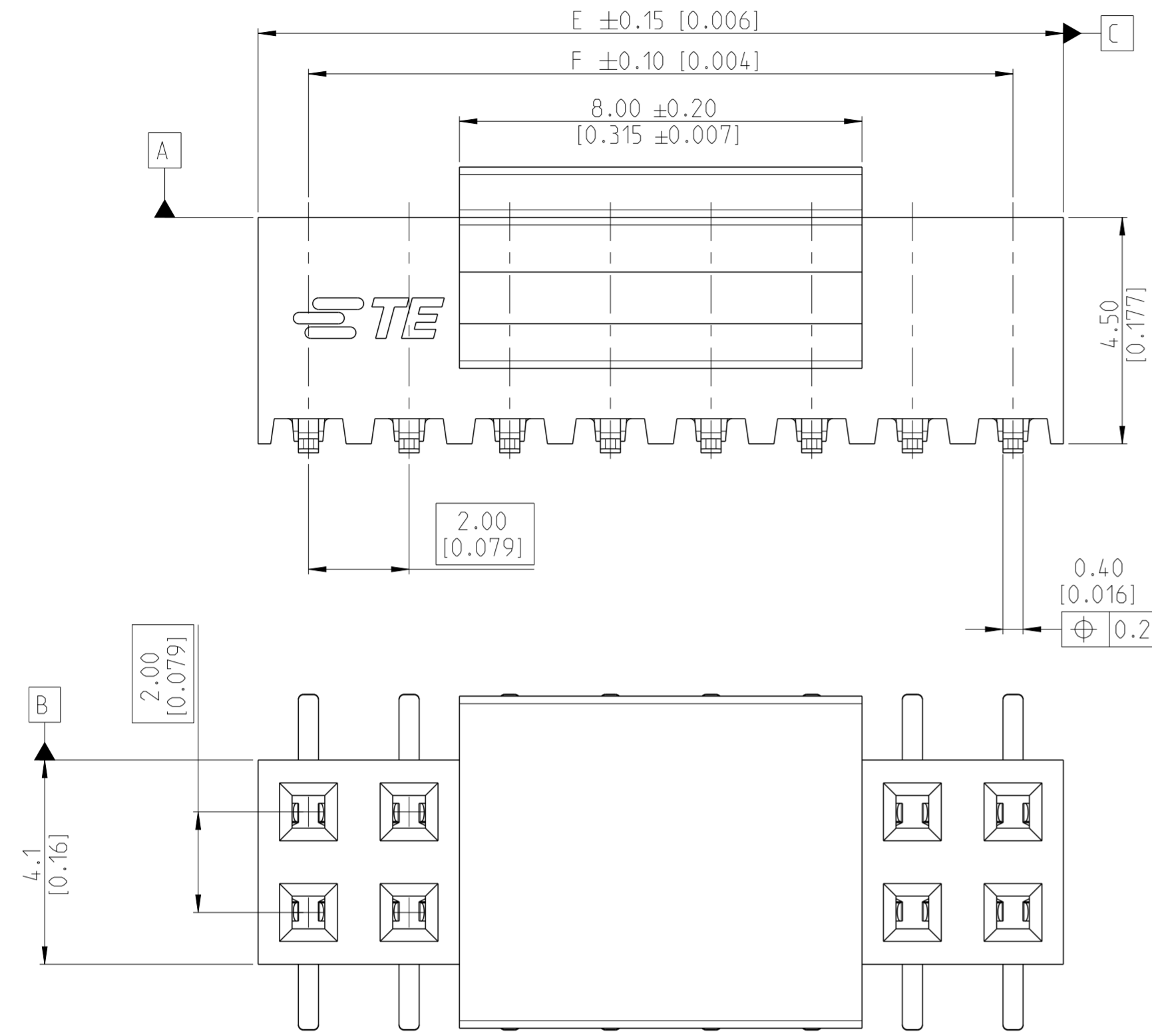


THIS DRAWING IS UNPUBLISHED. RELEASED FOR PUBLICATION 20
 © COPYRIGHT 20 BY - ALL RIGHTS RESERVED.

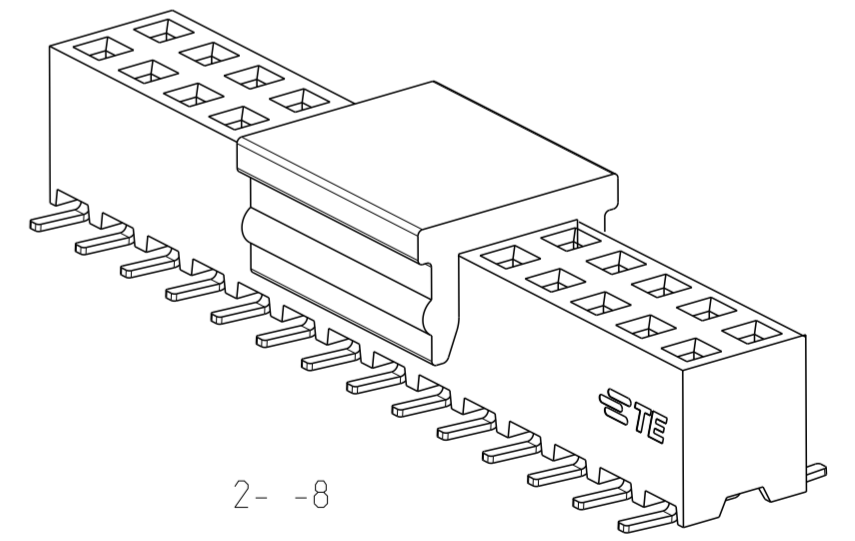
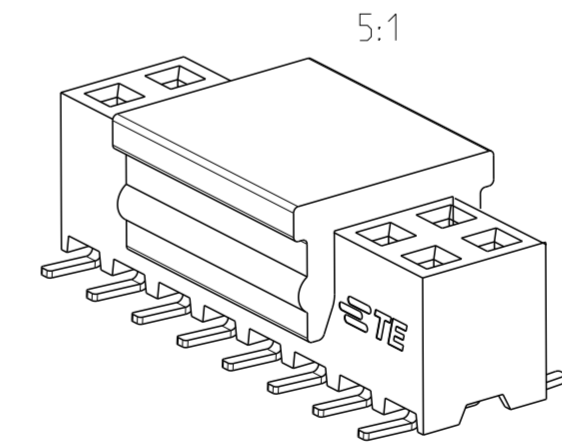
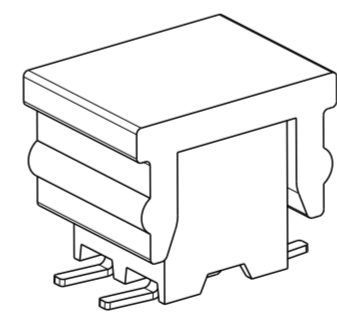
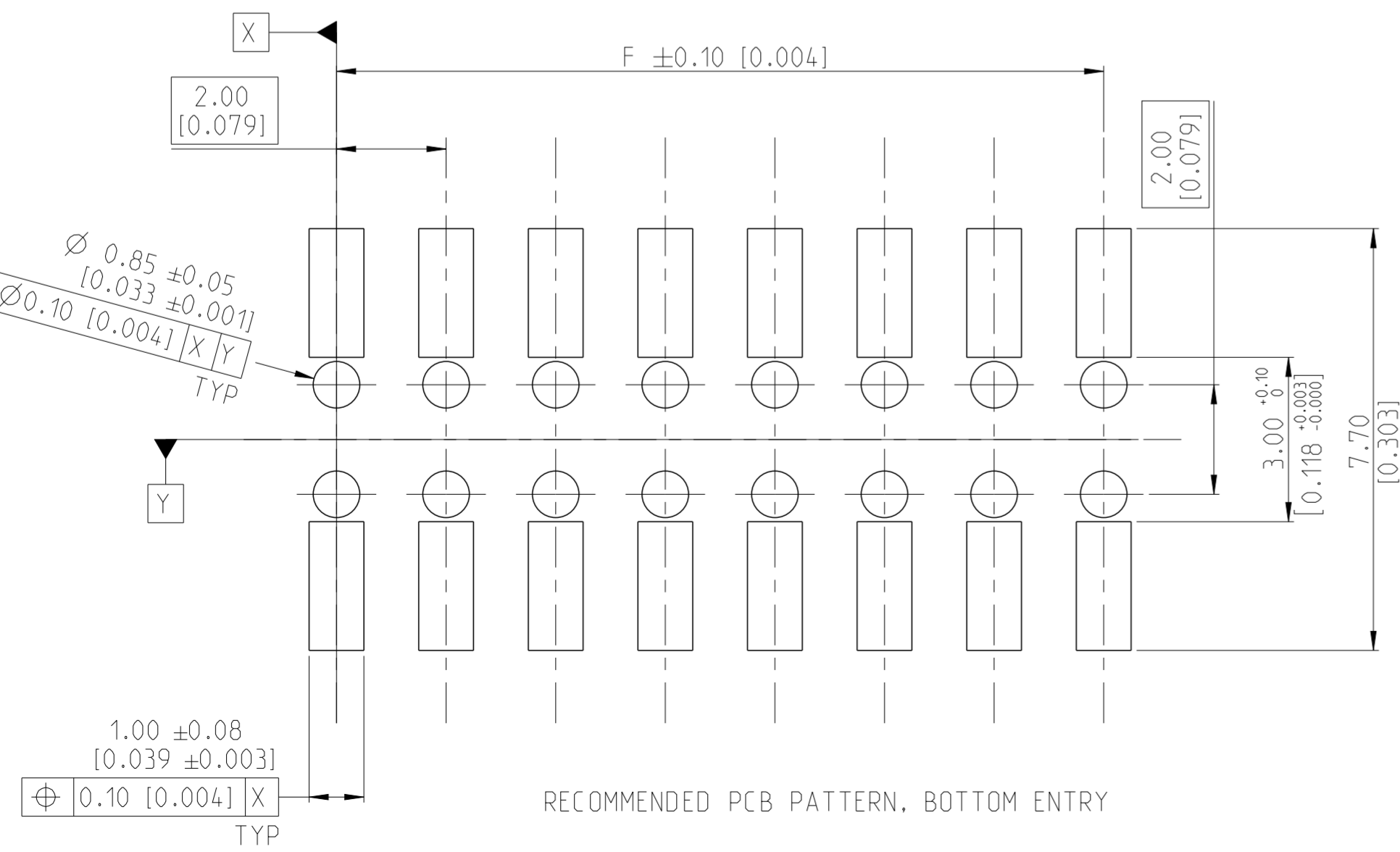
REVISIONS					
P	LTR	DESCRIPTION	DATE	DWN	APVD
A		X-2307819-X RELEASED FOR PRODUCTION	10JUL2019	AY	PS
A1		RELEASE GOLD PLATED VERSIONS TO PRODUCTION	04SEP2019	AY	PS
A2		RELEASE TIN PLATED VERSIONS TO PRODUCTION	14APR2020	AY	PS



P&P CAP	3
CONTACT	2
HOUSING	1
DESCRIPTION	ITEM

- NOTES:
- 1 MATERIAL:
HOUSING & CAP: LCP, UL94 V0, BLACK
CONTACT: PHOSPHOR BRONZE, 0.20mm THICK.
 - 2 ALL OVER 3-5 μm TIN OVER MIN 1.27 μm NICKEL UNDERPLATE
 - 3 CONTACT AREA: MIN 0.1 μm GOLD
SOLDER TAIL: 3-5 μm TIN
UNDERPLATING: MIN 1.27 μm NICKEL ALL OVER
 - 4 CONTACT AREA: MIN 0.38 μm GOLD
SOLDER TAIL: 3-5 μm TIN
UNDERPLATING: MIN 1.27 μm NICKEL ALL OVER
 - 5 CONTACT AREA: MIN 0.76 μm GOLD
SOLDER TAIL: 3-5 μm TIN
UNDERPLATING: MIN 1.27 μm NICKEL ALL OVER
 - 6 N = NO. OF POSITIONS PER CONNECTOR.
 - 7

"N"	FG P/N	CO-PLANARITY
4 TO 20	-4 TO 2- -0	0.08
22 TO 40	2 - -2 TO 4 - -0	0.10
42 TO 50	4- -2 TO 5- -0	0.15



THIS DRAWING IS A CONTROLLED DOCUMENT.

DIMENSIONS: mm [inch]	TOLERANCES UNLESS OTHERWISE SPECIFIED: 0 PLC ± 1 PLC ±0.2 2 PLC ±0.1 [0.008] 3 PLC ± [0.004] 4 PLC ± ANGLES ±2°	DWN 23NOV2017 SOURAV DAS CHK 02NOV2018 SHARATH S APVD 02NOV2018 PRASHANTH S	TE Connectivity	
MATERIAL SEE NOTES	FINISH SEE NOTES	PRODUCT SPEC 108-64040	NAME AMPMODU 2mm BiB RECEPTACLE, DUAL ROW, VERTICAL, SMD	
		APPLICATION SPEC 114-32186	SIZE A2	CAGE CODE 00779
		WEIGHT -	DRAWING NO C-2307816	RESTRICTED TO -
		CUSTOMER DRAWING	SCALE 10:1	SHEET 1 OF 2 REV A2

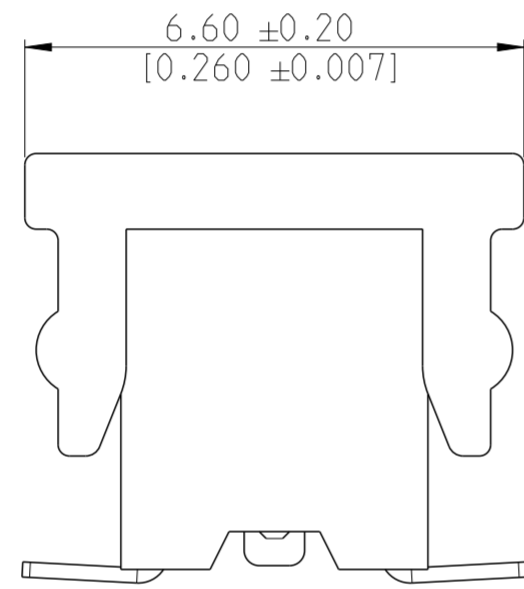
THIS DRAWING IS UNPUBLISHED. RELEASED FOR PUBLICATION 20
 © COPYRIGHT 20 BY - ALL RIGHTS RESERVED.

REVISIONS				
P	LTR	DESCRIPTION	DATE	APVD
-	-	SEE SHEET 1	-	-

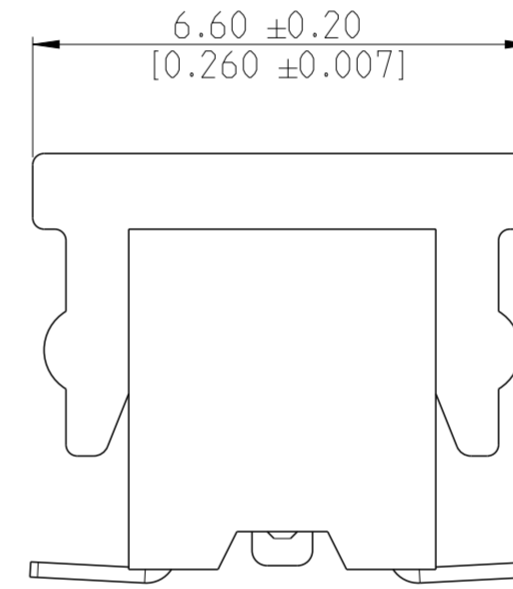
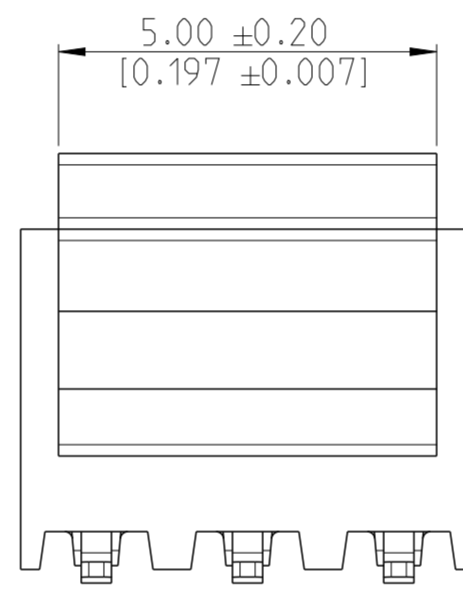
MATING SIDE PLATING (FINISH)	BTB RECEPTACLE BASE NUMBERS	
	TAPE & REEL PKG W / CAP	TUBE PKG W / CAP
TIN 2	2307816	2314843
GOLD FLASH 0.1 μm 3	2307817	2314844
GOLD 0.38 μm 4	2307818	2314845
GOLD 0.76 μm 5	2307819	2314846




-4



-6



48	50	50	5- -0
46	48	48	4- -8
44	46	46	4- -6
42	44	44	4- -4
40	42	42	4- -2
38	40	40	4- -0
36	38	38	3- -8
34	36	36	3- -6
32	34	34	3- -4
30	32	32	3- -2
28	30	30	3- -0
26	28	28	2- -8
24	26	26	2- -6
22	24	24	2- -4
20	22	22	2- -2
18	20	20	2- -0
16	18	18	1- -8
14	16	16	1- -6
12	14	14	1- -4
10	12	12	1- -2
8	10	10	1- -0
6	8	8	-8
4	6	6	-6
2	4	4	-4
DIM "F"	DIM "E"	N	FG PN

THIS DRAWING IS A CONTROLLED DOCUMENT.		DWN 23NOV2017 SOURAV DAS	 TE Connectivity	
DIMENSIONS: mm [inch]		CHK 02NOV2018 SHARATH S		
TOLERANCES UNLESS OTHERWISE SPECIFIED:		APVD 02NOV2018 PRASHANTH S	NAME AMPMODU 2mm BtB RECEPTACLE, DUAL ROW, VERTICAL, SMD	
0 PLC ±		PRODUCT SPEC	SIZE	
1 PLC ±0.2		108-64040	CAGE CODE	
2 PLC ±0.1 [0.008]		APPLICATION SPEC	DRAWING NO	
3 PLC ± [0.004]		114-32186	RESTRICTED TO	
4 PLC ±		WEIGHT	A2 100779 ©-2307816	
ANGLES ±2°		CUSTOMER DRAWING	SCALE 10:1	SHEET 2 OF 2
FINISH				REV A2
MATERIAL SEE NOTES				
SEE NOTES				

X-ON Electronics

Largest Supplier of Electrical and Electronic Components

Click to view similar products for [Board to Board & Mezzanine Connectors](#) category:

Click to view products by [TE Connectivity](#) manufacturer:

Other Similar products are found below :

[589158040000018](#) [FCN-230C068-11](#) [FCN-268F012-G/BD](#) [FCN-268F036-G/BD](#) [FCN-268M012-G/0D](#) [FCN-268M024-G/1D](#) [FCN-723J004/1](#) [MIS-048-01-F-D-DP-K](#) [832-10-034-10-001000](#) [FX4C-80S-1.27DSA](#) [FCN-214Q030-G/0](#) [FCN-234P048-G/0](#) [FCN-235D050-G/C](#) [210-93-314-41-105000](#) [2-22603-0](#) [MDF7-40DP-2.54DSA\(55\)](#) [AXG720047](#) [5031084030](#) [MIT-114-03-F-D-K](#) [55323-1519](#) [DF33-2P-3.3DSA\(24\)](#) [YFT-20-05-H-03-SB-K](#) [503308-3040](#) [026-6203-PDB](#) [027-6203-PDB](#) [069159702701000](#) [10123981-102LF](#) [101A10019X](#) [55650-0588-C](#) [68684-306](#) [75140-7012](#) [589159005003045](#) [194261-1](#) [FCN-268F024-G0D](#) [10124054-515LF](#) [68685-603](#) [8-1616154-3](#) [MIS-019-01-F-D](#) [589159005002045](#) [541371078](#) [IL-WX-10PB-HF-B-E1000E](#) [FCN-268M024-G/3D](#) [20021832-06016C1LF](#) [KX15-20KLDL-E1000E](#) [MDF7-16DP-2.54DSA\(55\)](#) [AXE810124](#) [FCN-214J100-G/0](#) [FCN-230C068-E/S](#) [AXE812124](#) [AXE816124](#)