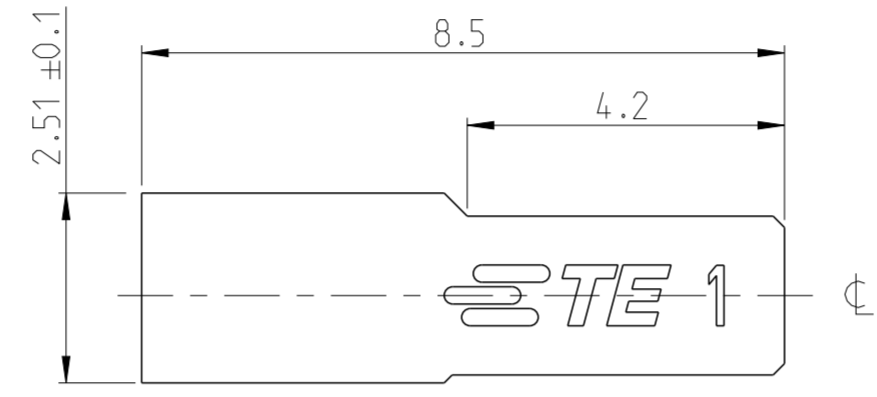
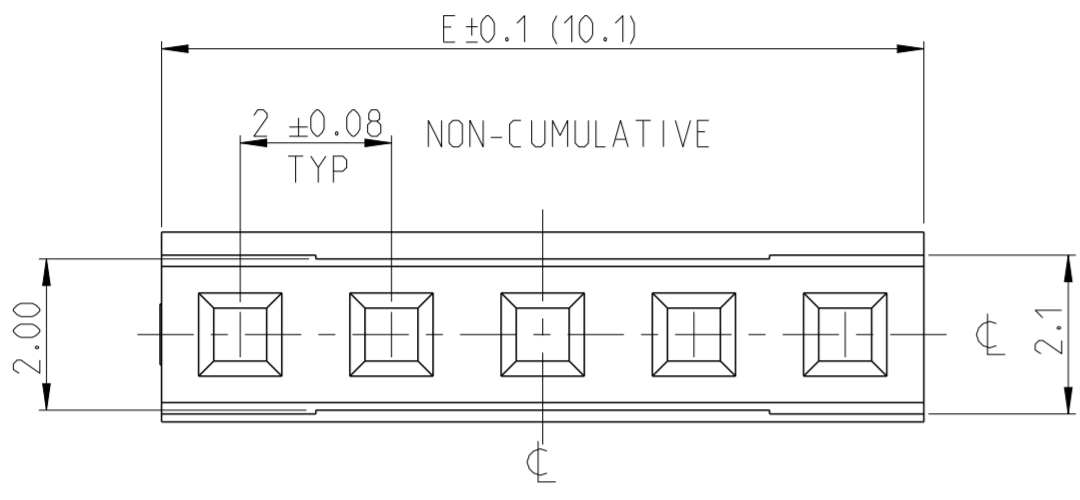
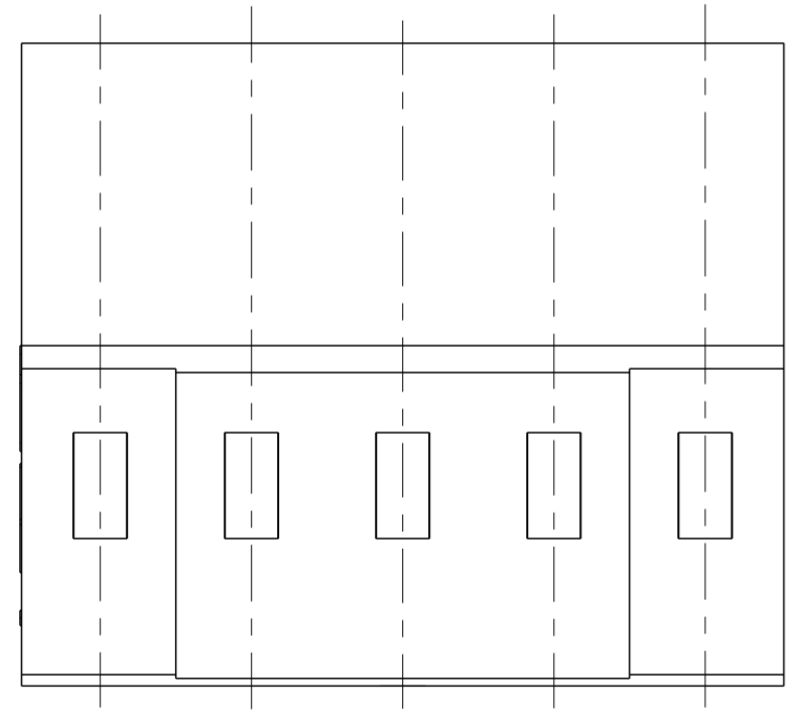


THIS DRAWING IS UNPUBLISHED. RELEASED FOR PUBLICATION  
 © COPYRIGHT 2017 TE CONNECTIVITY ALL RIGHTS RESERVED.

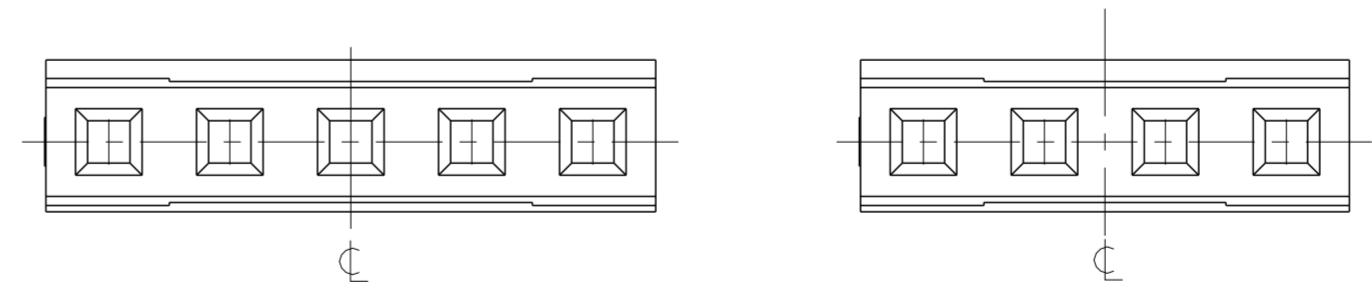
REVISIONS				
P	LTR	DESCRIPTION	DATE	APVD
A		RELEASE TO PRODUCTION	01APR2020	AY PS



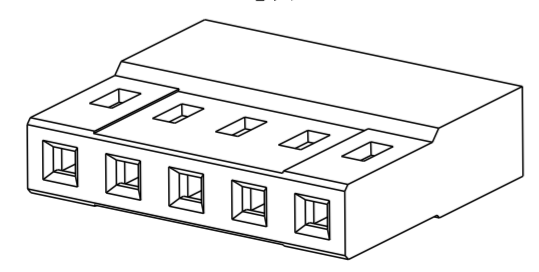
- NOTES:
- MATERIAL: LCP BLACK, UL94 V0
  - N = NUMBER OF POSITION PER HOUSING.
  - HOUSING TO BE USED WITH CRIMP CONTACTS 2316113 (AWG 28-24/0.08-0.22 mm<sup>2</sup>) AND 2316114 (AWG 30-28/0.05-0.08 mm<sup>2</sup>)
  - PACKAGING : BULK (BOX)



CENTERLINE FOR ODD AND EVEN POSITION HOUSINGS



SINGLE ROW HOUSING  
 PLAIN VERSION  
 -5 AS SHOWN  
 5:1



BOX PACKAGING		
2-2316102-5	50.1	25
2-2316102-4	48.1	24
2-2316102-3	46.1	23
2-2316102-2	44.1	22
2-2316102-1	42.1	21
2-2316102-0	40.1	20
1-2316102-9	38.1	19
1-2316102-8	36.1	18
1-2316102-7	34.1	17
1-2316102-6	32.1	16
1-2316102-5	30.1	15
1-2316102-4	28.1	14
1-2316102-3	26.1	13
1-2316102-2	24.1	12
1-2316102-1	22.1	11
1-2316102-0	20.1	10
2316102-9	18.1	9
2316102-8	16.1	8
2316102-7	14.1	7
2316102-6	12.1	6
2316102-5	10.1	5
2316102-4	8.1	4
2316102-3	6.1	3
2316102-2	4.1	2
PART NO.	DIM "E"	N

THIS DRAWING IS A CONTROLLED DOCUMENT.		DWN 29OCT2017 RAKSHITH R NAYAK	TE Connectivity	
DIMENSIONS: mm		CHK 29OCT2017 RAKSHITH R NAYAK		
TOLERANCES UNLESS OTHERWISE SPECIFIED:		APVD 11DEC2017 PRASHANTH S	NAME AMPMODU 2mm RECEPTACLE, WTB HOUSING, CRIMP, SR, PLAIN	
0 PLC ±		PRODUCT SPEC 108-64040-1	SIZE CAGE CODE DRAWING NO RESTRICTED TO	
1 PLC ±0.15		APPLICATION SPEC 114-32173	A2100779 C-2316102	
2 PLC ±0.10		WEIGHT -	SCALE 10:1 SHEET 1 OF 1 REV A	
3 PLC ±		CUSTOMER DRAWING		
4 PLC ±				
ANGLES ±2°				
FINISH -				
MATERIAL SEE NOTE 1				

## X-ON Electronics

Largest Supplier of Electrical and Electronic Components

*Click to view similar products for [Headers & Wire Housings](#) category:*

*Click to view products by [TE Connectivity](#) manufacturer:*

Other Similar products are found below :

[892-18-020-10-001101](#) [58102-G61-06LF](#) [582553-1](#) [0009485154](#) [009176003701906](#) [0050291907](#) [LY20-4P-DT1-P1E-BR](#) [02.125.8002.8](#)  
[609-3404](#) [61062-3](#) [61082-181009](#) [622-3653LF](#) [63453-116](#) [636-1030](#) [636-1427](#) [636-3427](#) [636-4007](#) [641938-9](#) [641991-4](#) [644827-2](#) [65817-](#)  
[010LF](#) [65817-015LF](#) [65863-015LF](#) [66207-023LF](#) [67095-007LF](#) [67601157](#) [68645-018](#) [68648-049](#) [70.362.1628.0](#) [70-4210](#) [70-4226B](#) [70-](#)  
[4853B](#) [707-5020](#) [707-5028](#) [71.350.2428.0](#) [71918-208LF](#) [71961-016LF](#) [733-134](#) [733-162](#) [754199-000](#) [760-3052](#) [787-8014-00](#) [79531-3000](#)  
[FCN-360C032-B](#) [FCN-367T-T012/H](#) [FCN-723D010/2](#) [80.063.4001.1](#) [800-90-001-10-001000](#) [800-90-010-10-002000](#) [801-43-002-10-013000](#)