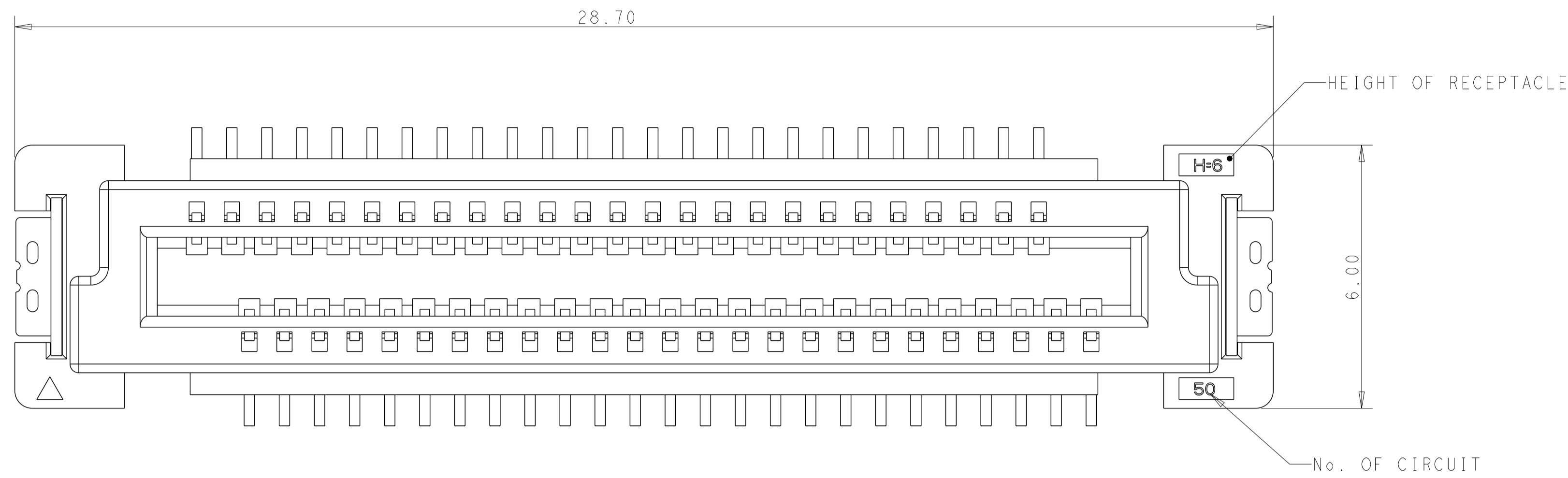
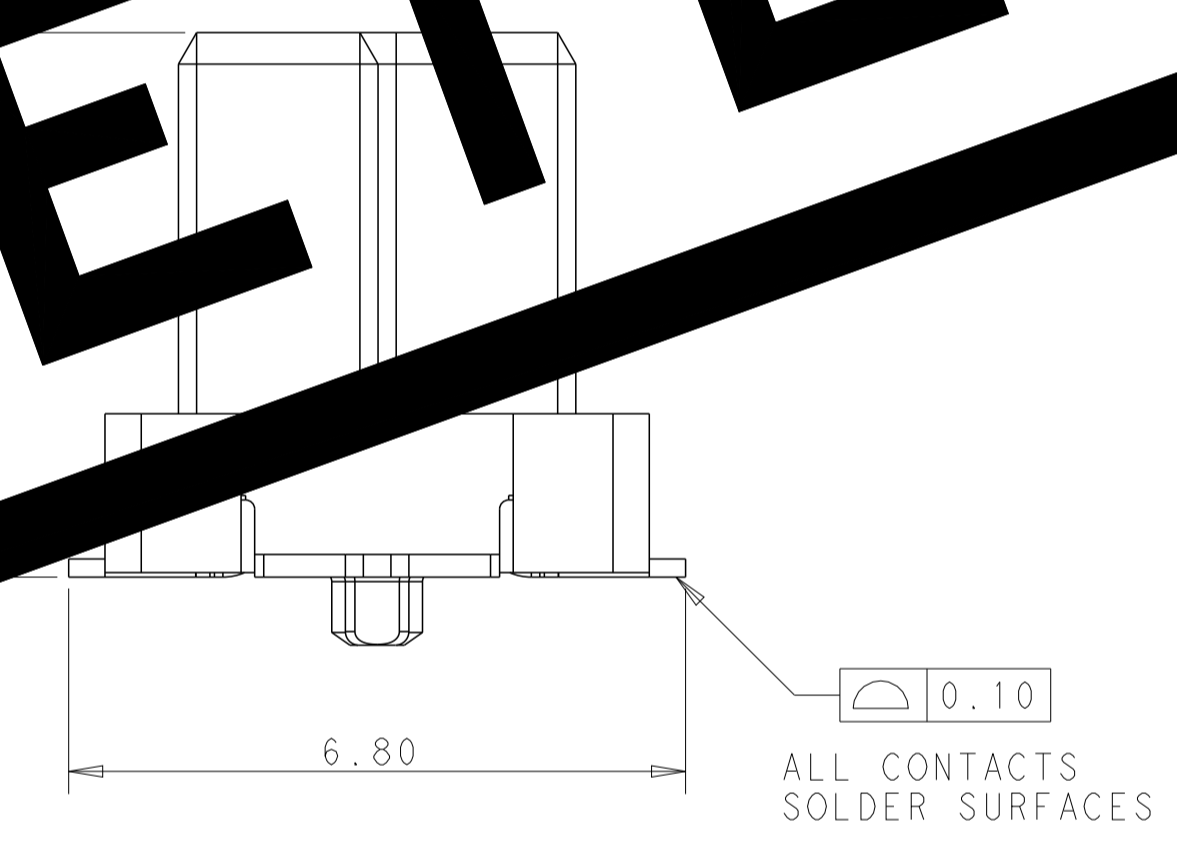
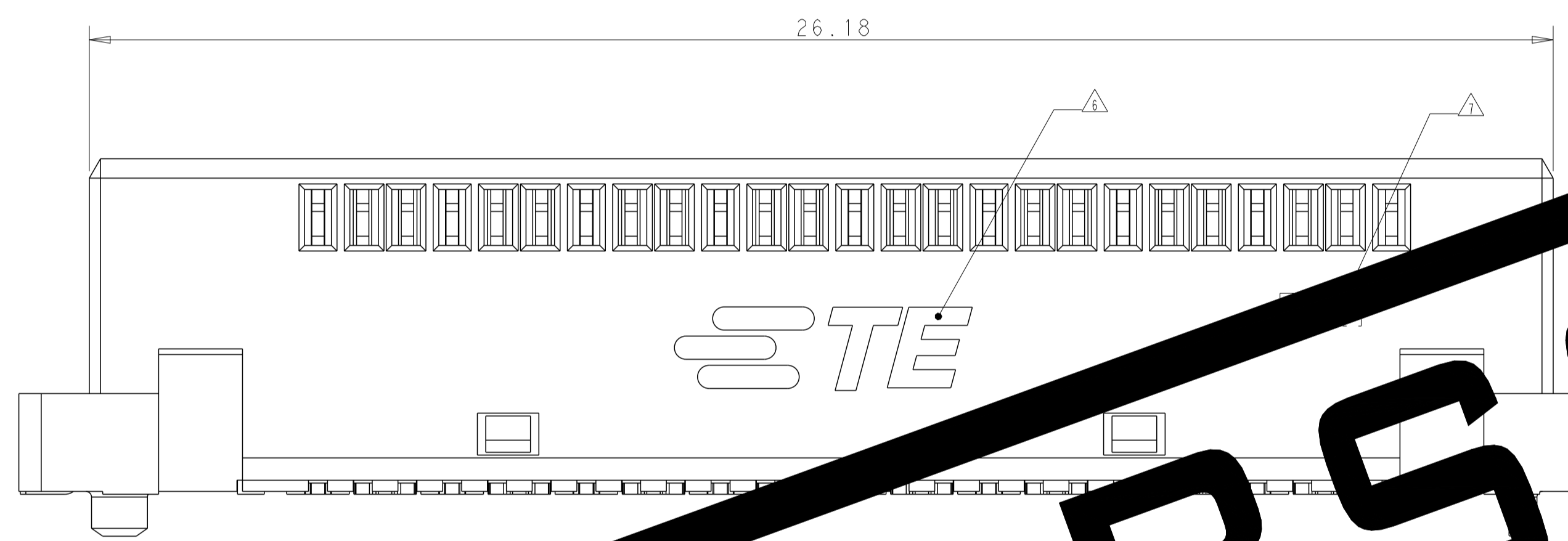


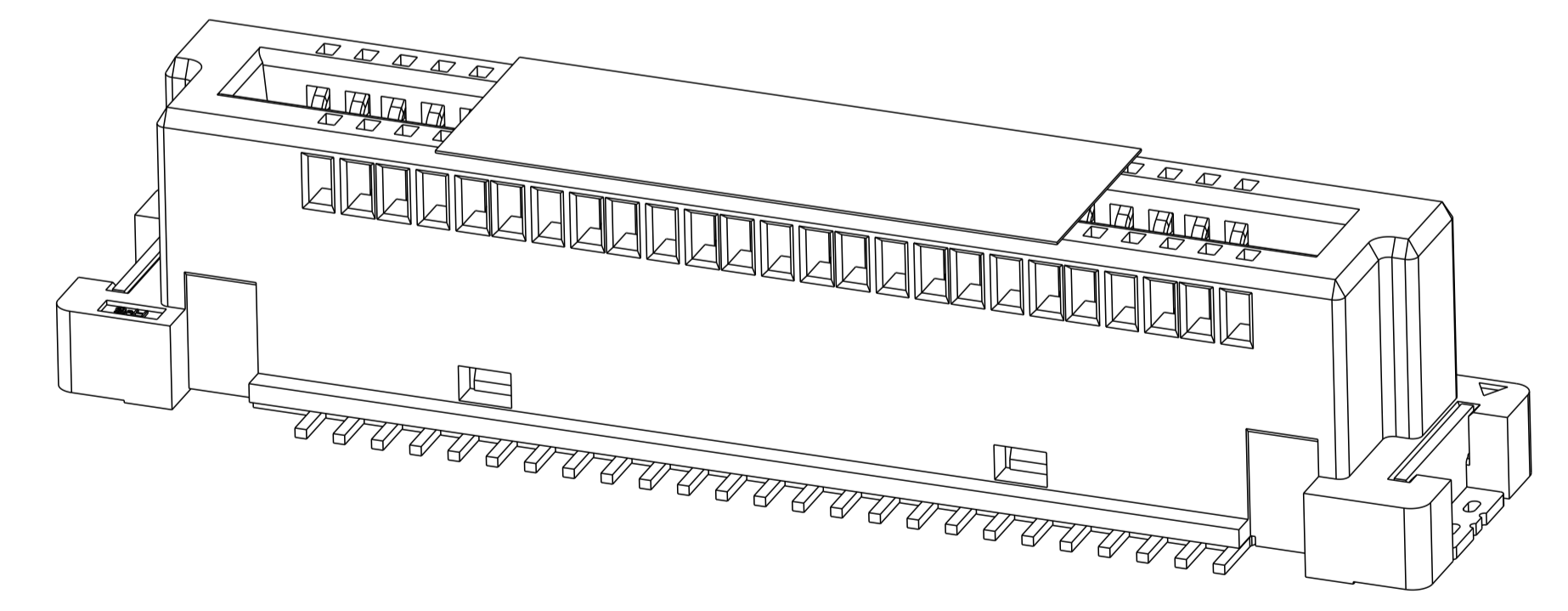
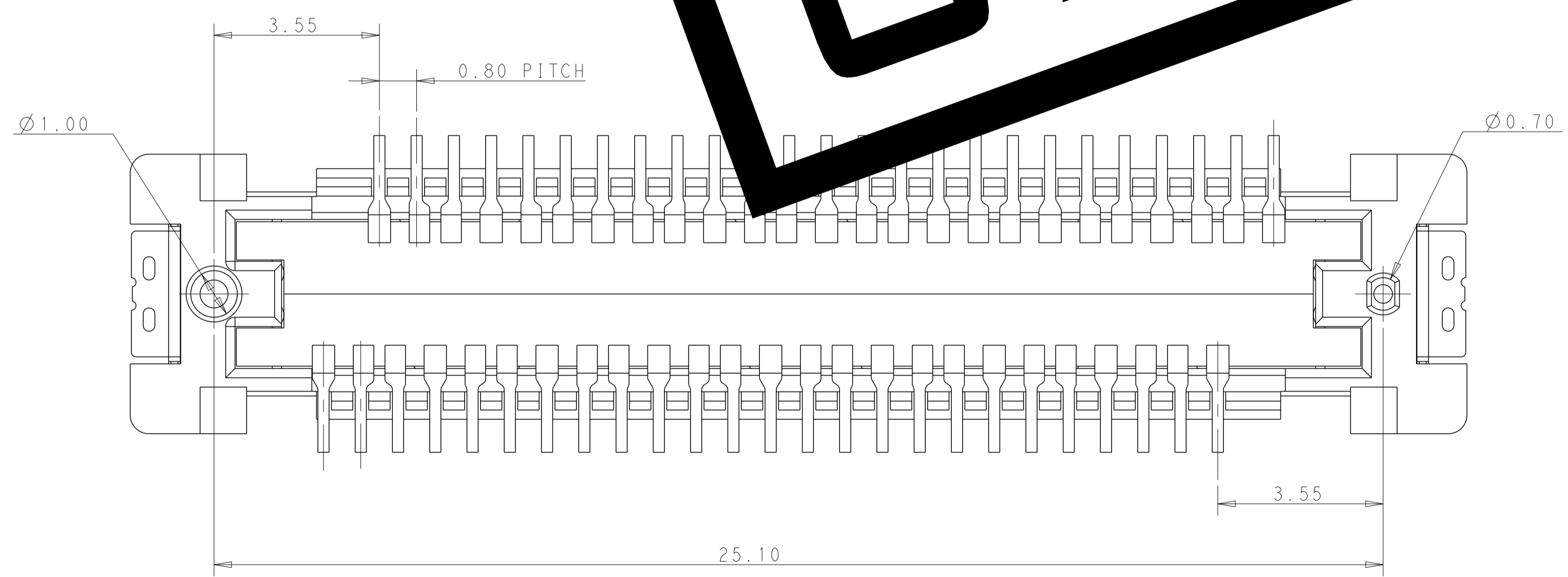
REVISIONS				
P.	LTN	DESCRIPTION	DATE	APVD
6		ADD DIMENSIONS AND P/N LIST	24AUG2018	A. L



- NOTE:
- 1 MATERIAL:
HOUSING AND CONTACT OVERMOLD: LCP, BLACK.
MYLAR: KAPTON FILM.
CONTACTS: COPPER ALLOY.
 - 2 FINISH:
UNDERPLATE: 1.27um MIN. NICKEL ALL OVER.
ENGAGEMENT AREA: SEE P/N LIST.
SOLDERING AREA: 2.54um MIN. MATTE TIN
 - 3 DATUM AND BASIC DIMENSION ESTABLISHED BY CUSTOMER.
 - 4. DESIGNED FOR A 1.00 MIN THICK PC BOARD.
 - 5 RECOMMENDED COMPONENT KEEP OUT AREA.
 - 6 TE CONNECTIVITY LOGO MARKED IN APPROXIMATE AREA SHOWN.
 - 7 PART AND DATE CODE MARKED IN APPROXIMATE AREA SHOWN.



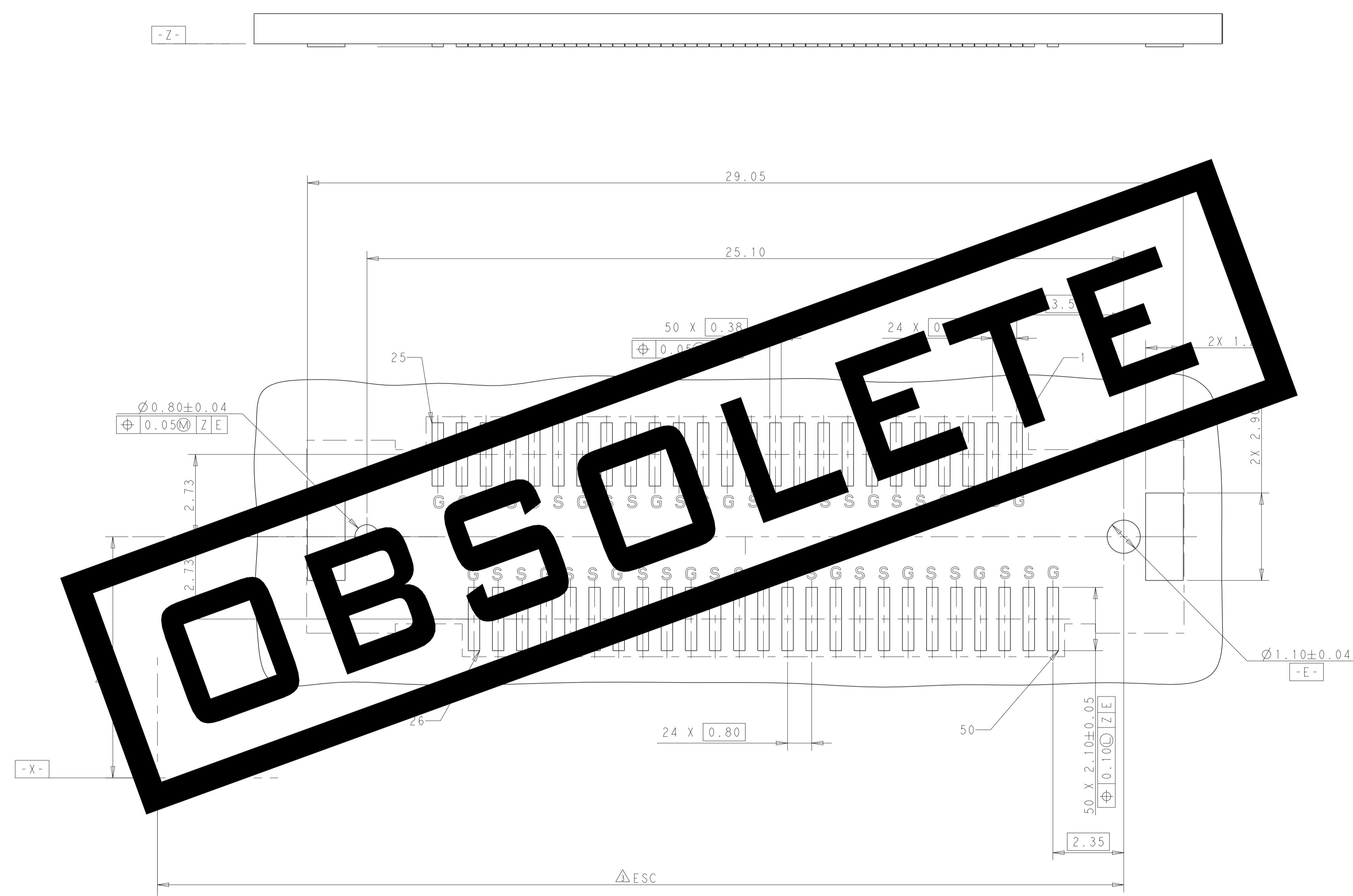
OBSELETE



SCALE 8:1
50PINS 6H RECEPTACLE CONNECTOR WITH MAYLAR

THIS DRAWING IS A CONTROLLED DOCUMENT.		DMN Stone, Su 17MAY2017	TE Connectivity	
DIMENSIONS: mm		CHK -		
TOLERANCES UNLESS OTHERWISE SPECIFIED:		APVD -	NAME FH BTB FAMILY	
0 PLC ±0.2	1 PLC ±0.15	PRODUCT SPEC 108-115138	PRODUCT SPEC 108-115138	
2 PLC ±0.05	3 PLC ±0.05	APPLICATION SPEC 114-115019	APPLICATION SPEC 114-115019	
4 PLC ±0.005	ANGLES ±0.2°	SIZE CAGE CODE DRAWING NO	RESTRICTED TO	
MATERIAL	FINISH	WEIGHT	A1 - C=2316373	
CUSTOMER DRAWING		SCALE 6:1	SHEET 1 OF 4	REV 6

REVISIONS				
P.	LTH	DESCRIPTION	DATE	DWN APVD
-	-	SEE SHEET 1	-	-



SCALE 12:1

RECOMMENDED PCB LAYOUT AND KEEP OUT AREA

S: SIGNAL
G: GROUND

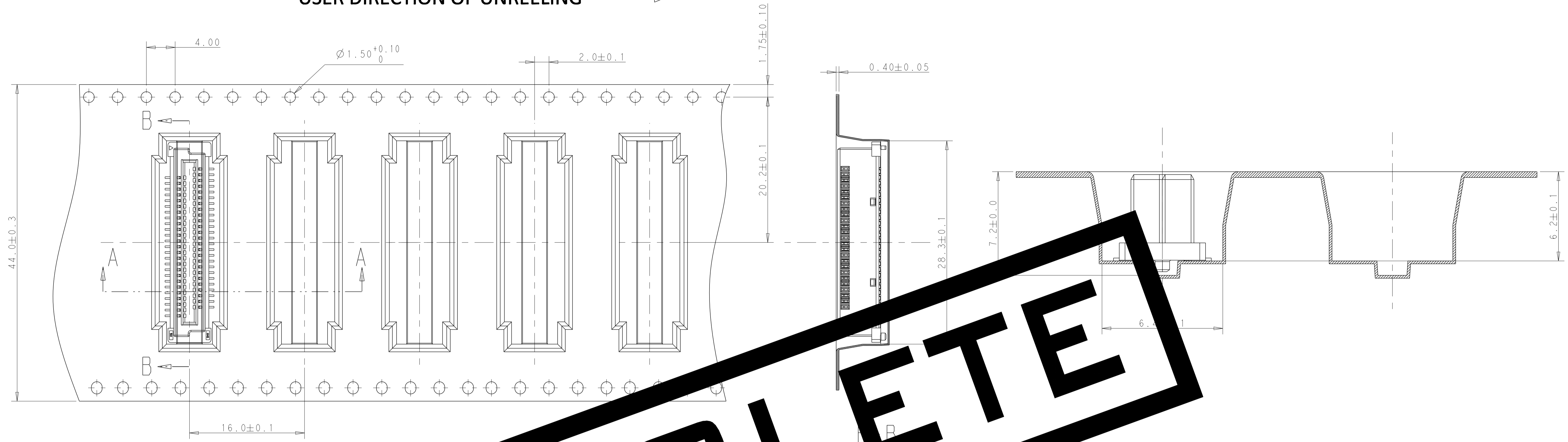
NOTE:

9. STENCIL THICKNESS: 0.10MM MIN.

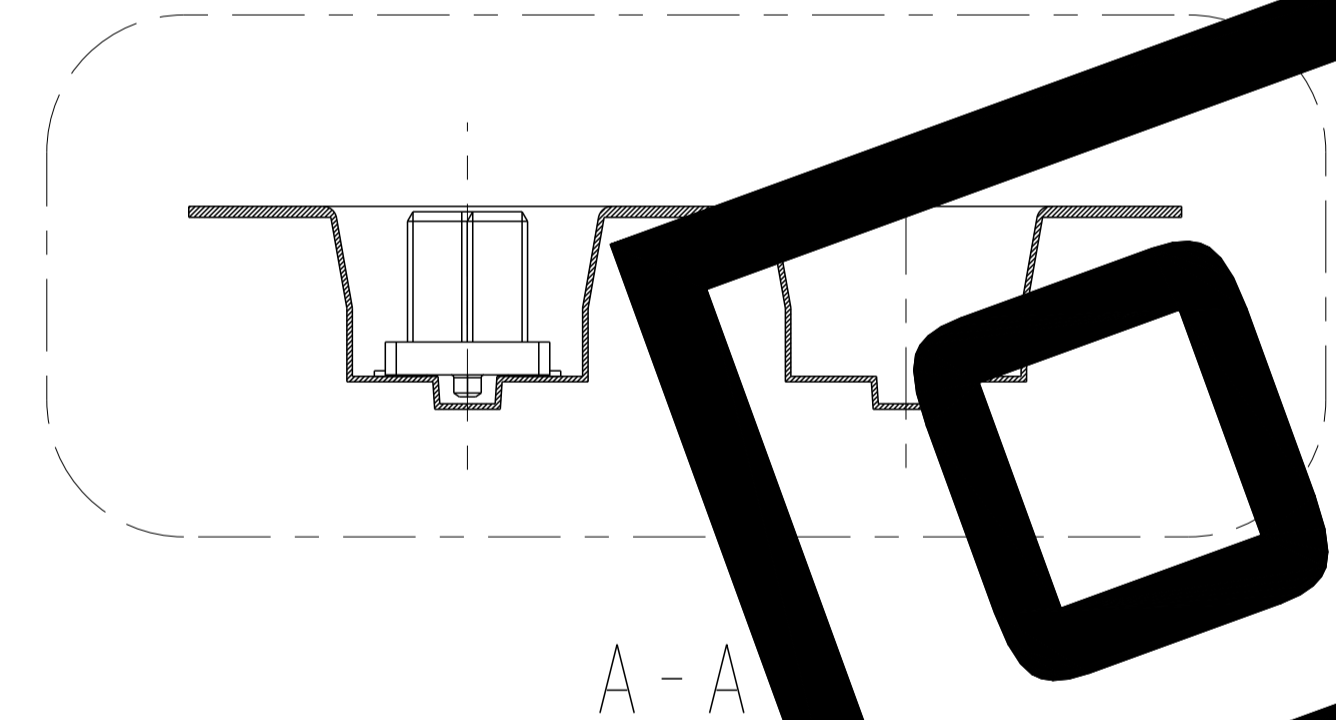
THIS DRAWING IS A CONTROLLED DOCUMENT.		DWN Stone, Su 17MAY2017	TE Connectivity	
DIMENSIONS: mm		CHK -		
TOLERANCES UNLESS OTHERWISE SPECIFIED:		APVD -	NAME FH BTB FAMILY	
0 PLC ±0.2		PRODUCT SPEC	108-115138	
1 PLC ±0.15		APPLICATION SPEC	114-115019	
2 PLC ±0.05		SIZE A1	CAGE CODE DRAWING NO -	
3 PLC ±0.005		WEIGHT -	RESTRICTED TO	
4 PLC ±0.005		CUSTOMER DRAWING	SCALE 6:1 SHEET 2 OF 4 REV 6	
ANGLES ±2°				
FINISH				

REVISIONS				
P.	LTN.	DESCRIPTION	DATE	APVD.
-	-	SEE SHEET 1	-	-

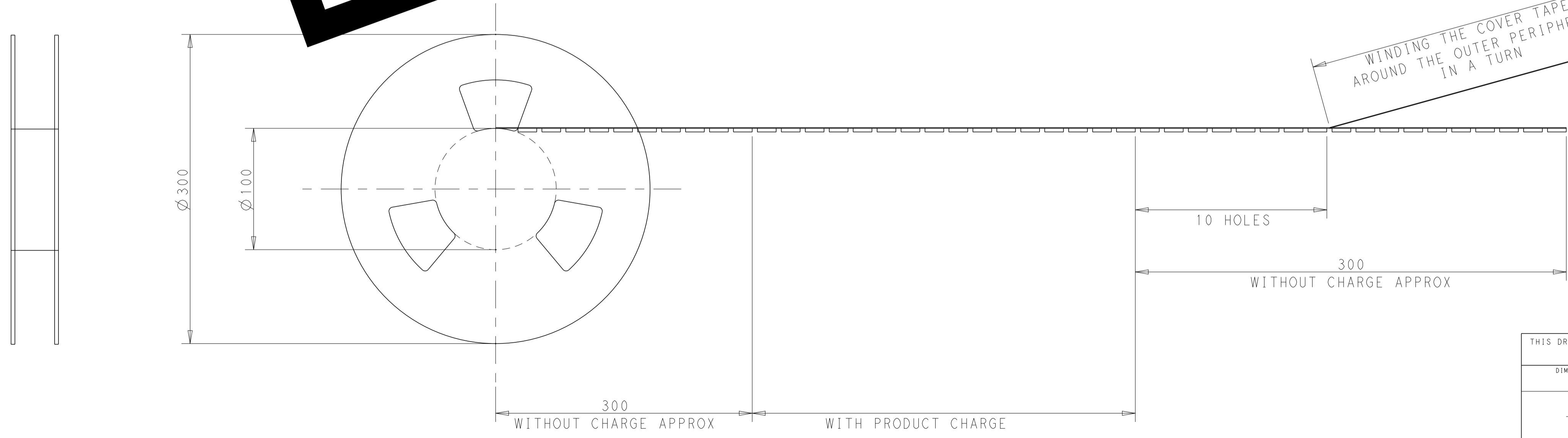
USER DIRECTION OF UNREELING →



OBSELETE



WINDING THE COVER TAPE AROUND THE OUTER PERIPHERY IN A TURN



NOTE:
10. 560 PCS /REEL

THIS DRAWING IS A CONTROLLED DOCUMENT.		OWN: Stone, Su	17MAY2017	TE Connectivity	
DIMENSIONS: mm		CHK: -	APVD: -	NAME: FH BTB FAMILY	
TOLERANCES UNLESS OTHERWISE SPECIFIED:		PRODUCT SPEC: 108-115138		APPLICATION SPEC: 6MM HEIGHT RECEPTACLE CONNECTOR	
0 PLC	±0.2	APPLICATION SPEC: 114-115019		RESTRICTED TO: -	
2 PLC	±0.15	SIZE: A1		CAGE CODE: -	
3 PLC	±0.05	DRAWING NO: C=2316373		SCALE: 6:1	
4 PLC	±0.005	WEIGHT: -		SHEET 3 OF 4	
ANGLES	±2°	CUSTOMER DRAWING		REV 6	
FINISH: -		SCALE: 6:1		SHEET 3 OF 4	

REVISIONS				
P	LTN	DESCRIPTION	DATE	APVD
-	-	SEE SHEET 1	-	-

PART NO : X-2316373-X

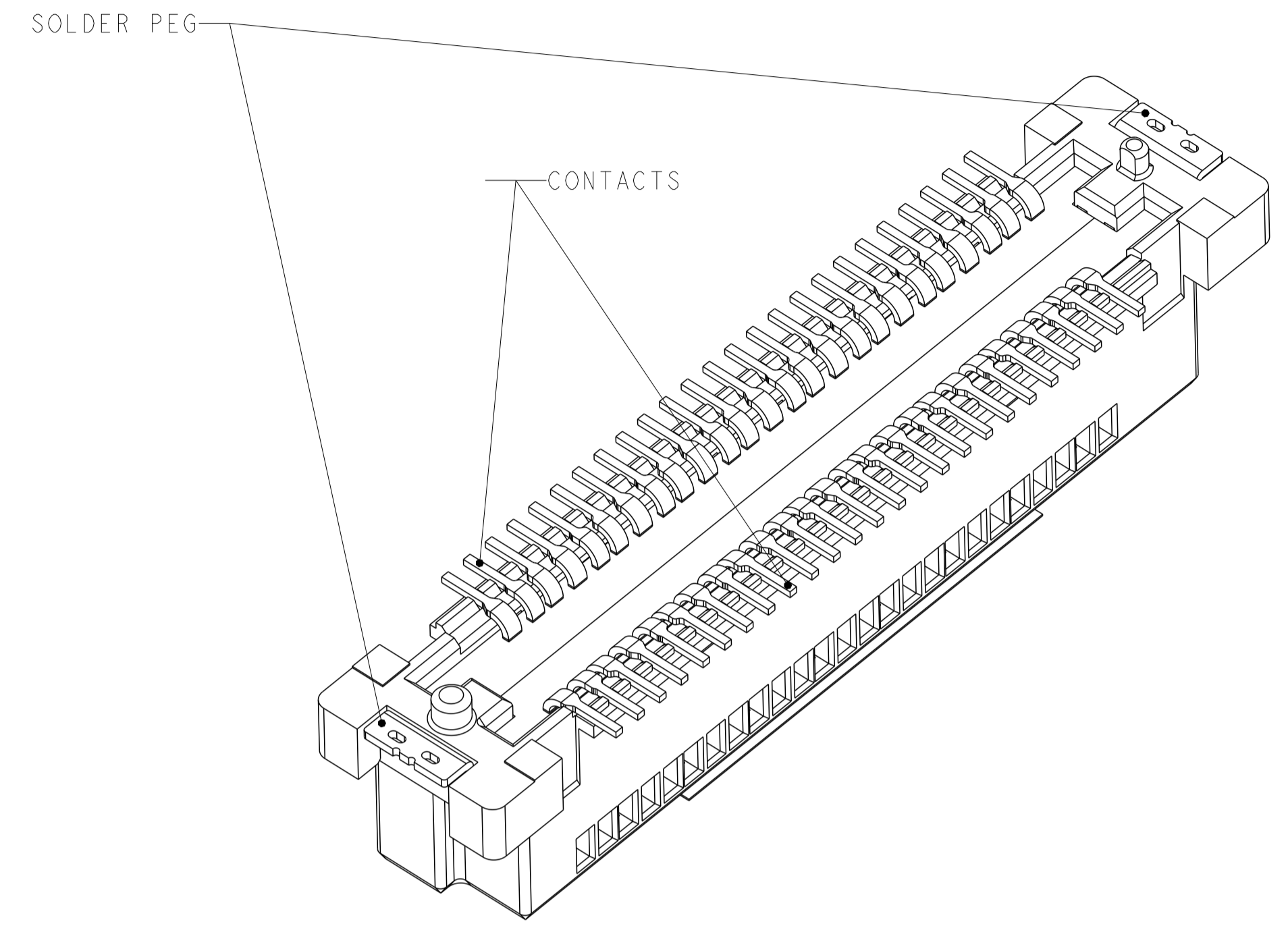
BLANK: 30u"Au PLATED & TAPE AND REEL
 1: 30u"Au PLATED & TUBE
 2: 8u"Au PLATED & TAPE AND REEL
 3: 8u"Au PLATED & TUBE
 4: FLASH GOLD Au PLATED & TAPE AND REEL
 5: FLASH GOLD PLATED & TUBE
 6: RESERVED
 7: RESERVED
 8: RESERVED
 9: RESERVED

1: 50POS & WITH MYLAR
 2: 50POS & WITHOUT MYLAR
 3: 100POS & WITH MYLAR
 4: 100POS & WITHOUT MYLAR
 5: 150POS & WITH MYLAR
 6: 150POS & WITHOUT MYLAR
 7: RESERVED
 8: RESERVED
 9: RESERVED

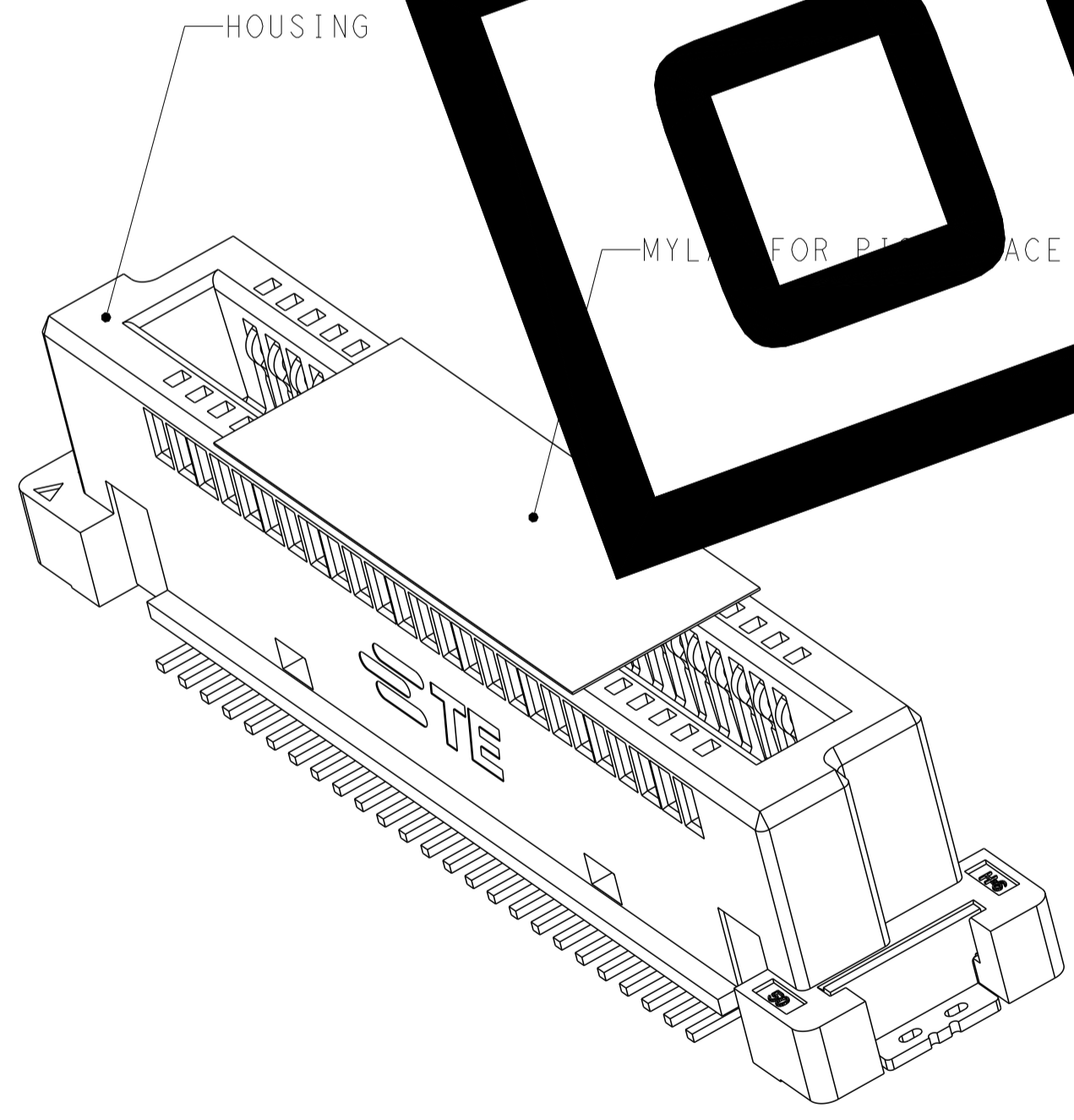
OBSELETE

TABLE: P/N LIST

ASSY P/N	PACKAGE TYPE	MYLAR	PLATING Au TYPE
2316373-1	TAPE & REEL	YES	30u"
2316373-2	TAPE & REEL	NO	
1-2316373-1	TUBE	YES	
1-2316373-2	TUBE	NO	8u"
2-2316373-1	TAPE & REEL	YES	
2-2316373-2	TAPE & REEL	NO	
3-2316373-1	TUBE	YES	FLASH GOLD
3-2316373-2	TUBE	NO	
4-2316373-1	TAPE & REEL	YES	
4-2316373-2	TAPE & REEL	NO	FLASH GOLD
5-2316373-1	TUBE	YES	
5-2316373-2	TUBE	NO	



SCALE 8:1



SCALE 8:1

THIS DRAWING IS A CONTROLLED DOCUMENT. DWN: Stone, Su 17MAY2017

CHK: -

APVD: -

NAME: FH BTB FAMILY

PRODUCT SPEC: 108-115138

APPLICATION SPEC: 114-115019

SIZE: A1

SCALE: 6:1

SHEET: 4 OF 4

REV: 6

CUSTOMER DRAWING

STE TE Connectivity

6MM HEIGHT RECEPTACLE CONNECTOR

©=2316373

X-ON Electronics

Largest Supplier of Electrical and Electronic Components

Click to view similar products for [Board to Board & Mezzanine Connectors](#) category:

Click to view products by [TE Connectivity](#) manufacturer:

Other Similar products are found below :

[589158040000018](#) [MDF7C-18P-2.54DSA\(55\)](#) [FCN-230C068-11](#) [FCN-268F012-G/BD](#) [FCN-268F036-G/BD](#) [FCN-268M012-G/0D](#) [FCN-268M024-G/1D](#) [FCN-723J004/1](#) [MIS-048-01-F-D-DP-K](#) [832-10-034-10-001000](#) [FX4C-80S-1.27DSA](#) [FCN-214Q030-G/0](#) [FCN-234P048-G/0](#) [FCN-235D050-G/C](#) [210-93-314-41-105000](#) [2-22603-0](#) [MDF7-40DP-2.54DSA\(55\)](#) [AXG720047](#) [5031084030](#) [MIT-114-03-F-D-K](#) [55323-1519](#) [DF33-2P-3.3DSA\(24\)](#) [YFT-20-05-H-03-SB-K](#) [503308-3040](#) [026-6203-PDB](#) [027-6203-PDB](#) [069159702701000](#) [10123981-102LF](#) [101A10019X](#) [55650-0588-C](#) [68682-310LF](#) [68684-306](#) [75140-7012](#) [87471-650](#) [194261-1](#) [FCN-268F024-G0D](#) [10124054-515LF](#) [68685-603](#) [8-1616154-3](#) [MIS-019-01-F-D](#) [FCN-268M024-G/3D](#) [20021832-06016C1LF](#) [KX15-20KLDL-E1000E](#) [MDF7-16DP-2.54DSA\(55\)](#) [AXE810124](#) [FCN-214J100-G/0](#) [FCN-230C068-E/S](#) [AXE812124](#) [AXE816124](#) [AXE720127](#)