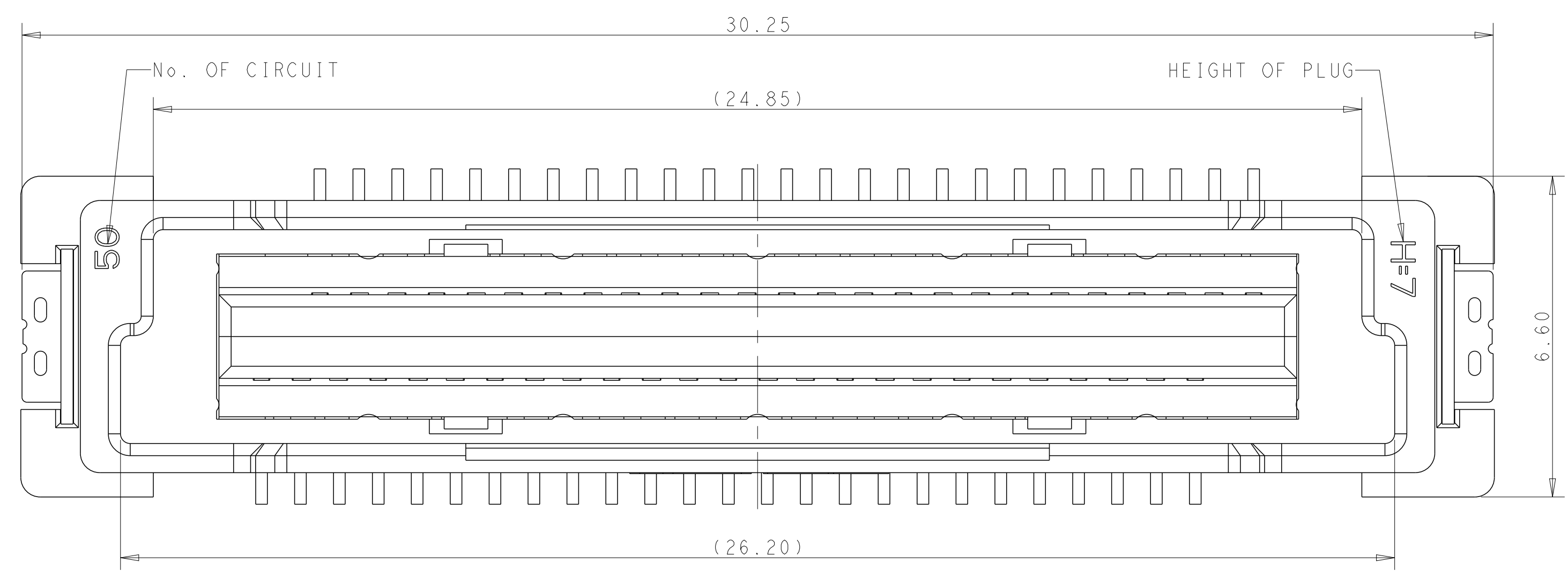
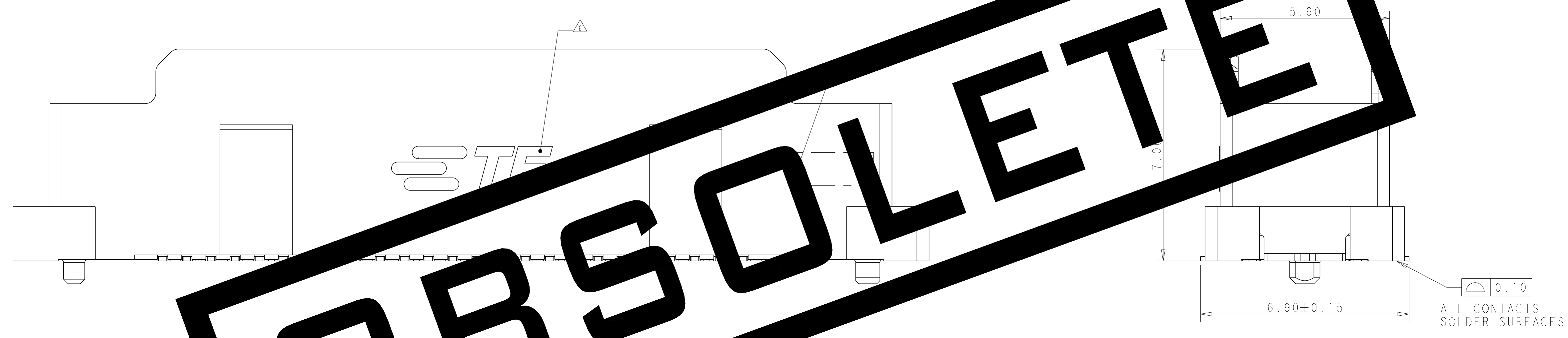


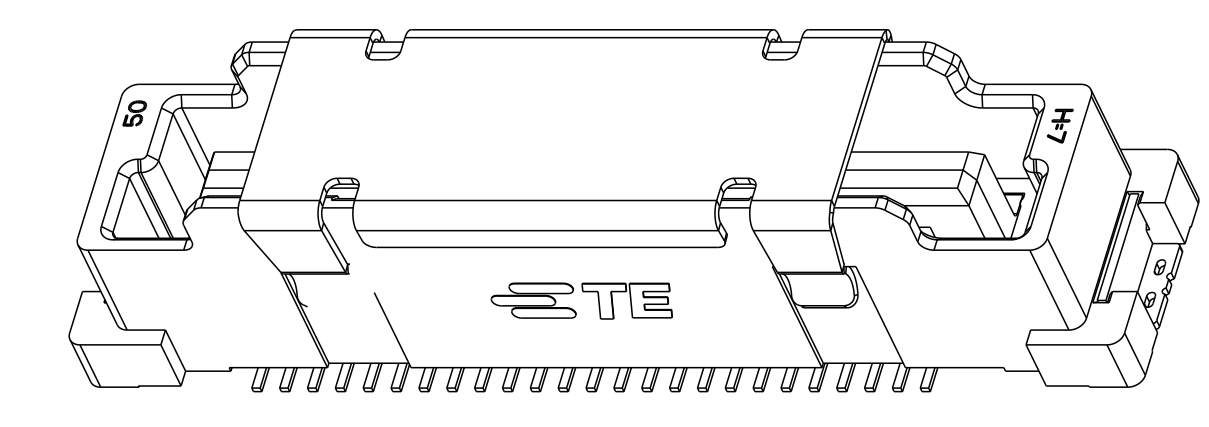
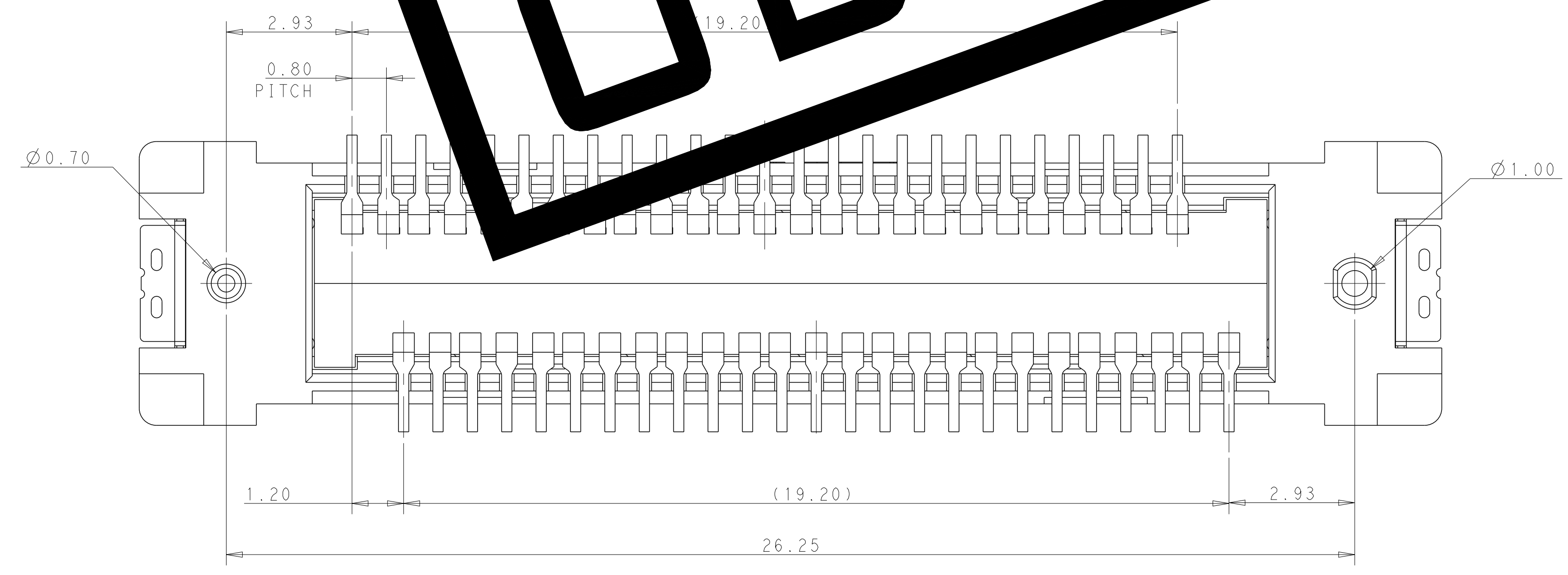
REVISIONS				
P. LTN	DESCRIPTION	DATE	DWN	APVD
6	ADD 150PINS VERSION	10JUL2018	A. L	



- NOTES:
- △ MATERIAL:
HOUSING AND CONTACT OVERMOLD: LCP, BLACK.
CARRY COVER: STAINLESS STEEL.
CONTACTS: COPPER ALLOY.
 - △ FINISH:
UNDERPLATE: 1.27um MIN. NICKEL ALL OVER.
ENGAGEMENT AREA: SEE P/N LIST
SOLDERING AREA: 2.54um MIN. MATTE TIN
 - △ DATUM AND BASIC DIMENSION ESTABLISHED BY CUSTOMER.
 - 4. DESIGNED FOR A 1.00 MIN THICK PC BOARD.
 - △ RECOMMENDED COMPONENT KEEP OUT AREA.
 - △ TE CONNECTIVITY LOGO MARKED IN APPROXIMATE AREA SHOWN.
 - △ PART NUMBER AND DATE CODE MARKED IN APPROXIMATE AREA SHOWN.
 - PACKAGE OPTION : TAPE & REEL, TUBE.



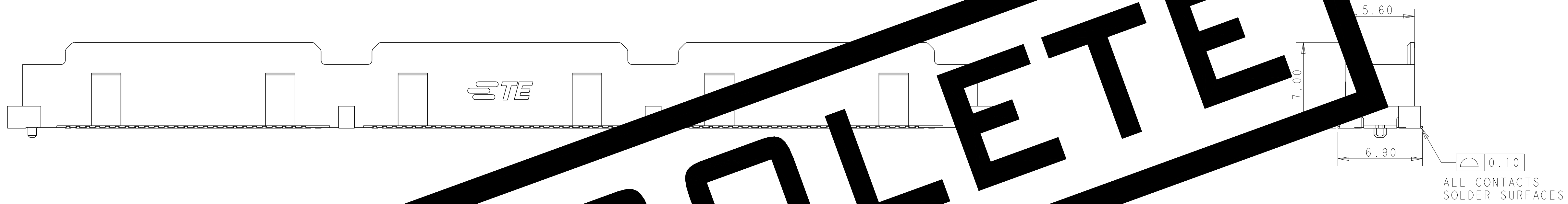
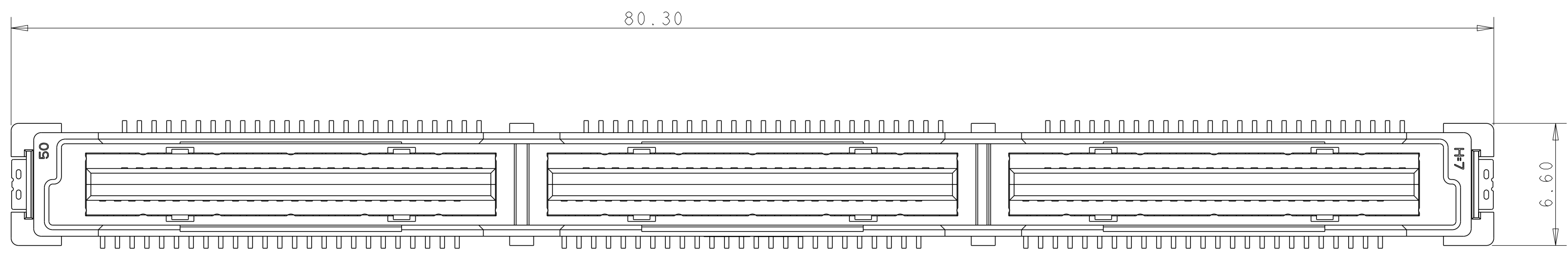
OBSOLETE



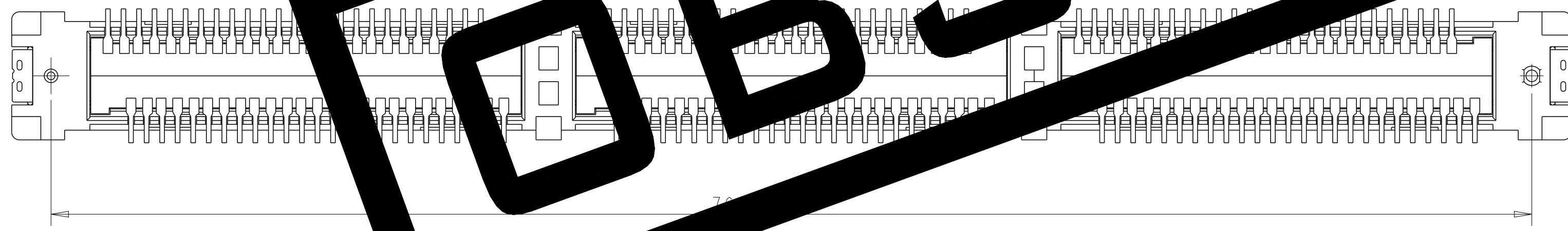
50PINS 7H PLUG CONNECTOR WITH COVER

THIS DRAWING IS A CONTROLLED DOCUMENT.		DWN: ART.LIN 10JUL2018	STE TE Connectivity	
DIMENSIONS: mm		CHK: -		
TOLERANCES UNLESS OTHERWISE SPECIFIED:		APVD: -	NAME: FH+ BTB FAMILY	
0 PLC ±0.2		PRODUCT SPEC: 108-115138	7MM HEIGHT PLUG CONNECTOR	
1 PLC ±0.15		APPLICATION SPEC: 114-115019	SIZE: CAGE CODE DRAWING NO: A100779C=2316375	
2 PLC ±0.050		WEIGHT: -	RESTRICTED TO: -	
3 PLC ±0.0050		CUSTOMER DRAWING	SCALE: 5:1 SHEET 1 OF 5 REV 6	
ANGLES ±2°				
FINISH: 1				
2				

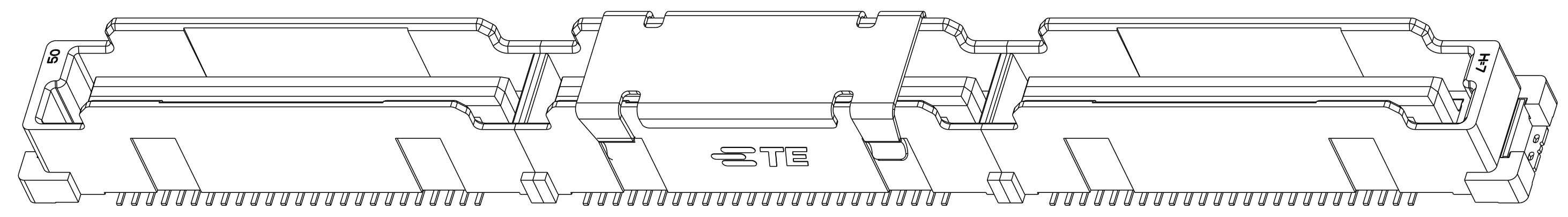
REVISIONS				
P.	LTN.	DESCRIPTION	DATE	APVD.
-	-	SEE SHEET 1	-	-



OBSELETE



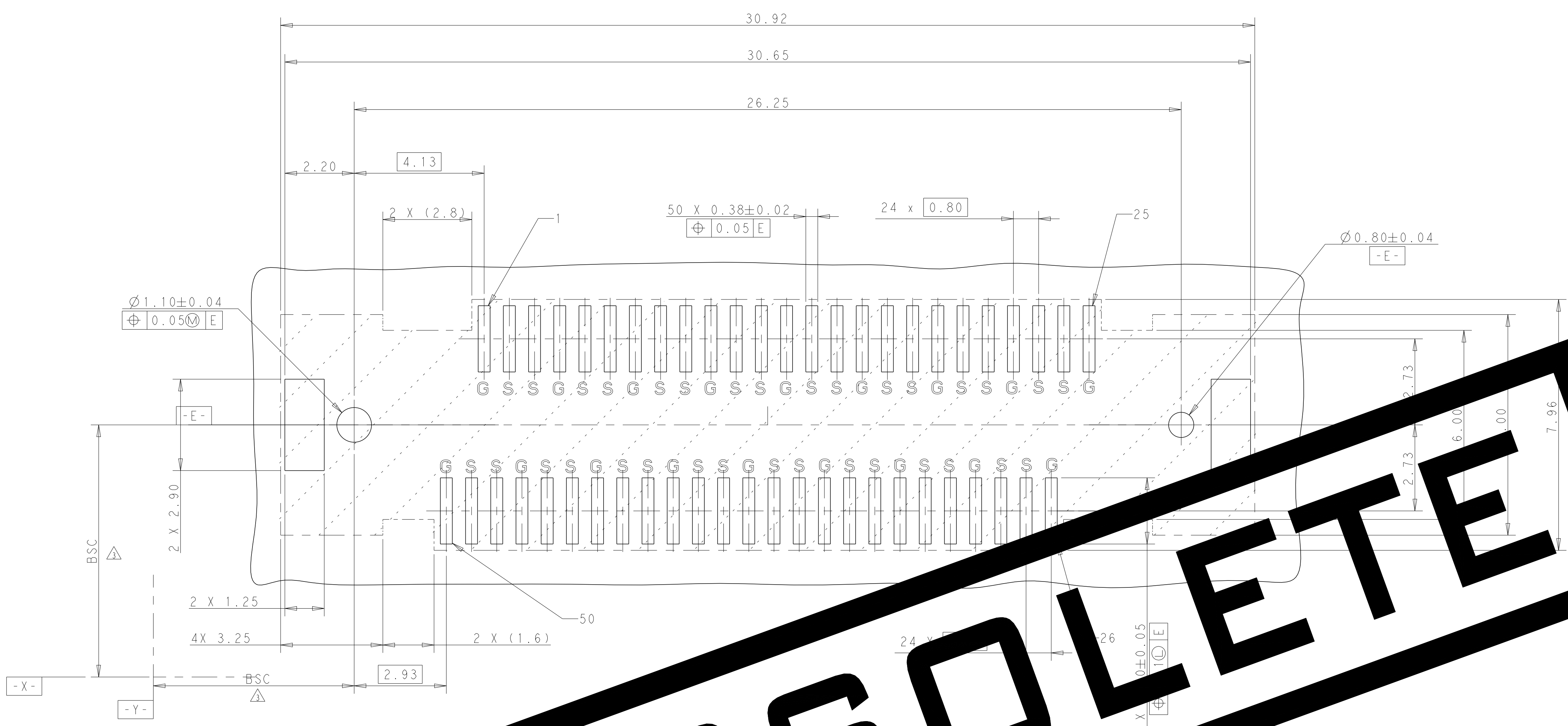
ALL THE OTHER DIMENSIONS ARE SAME WITH 50PINS CONNECTOR



SCALE 5:1
150PINS 7H PLUG CONNECTOR WITH COVER

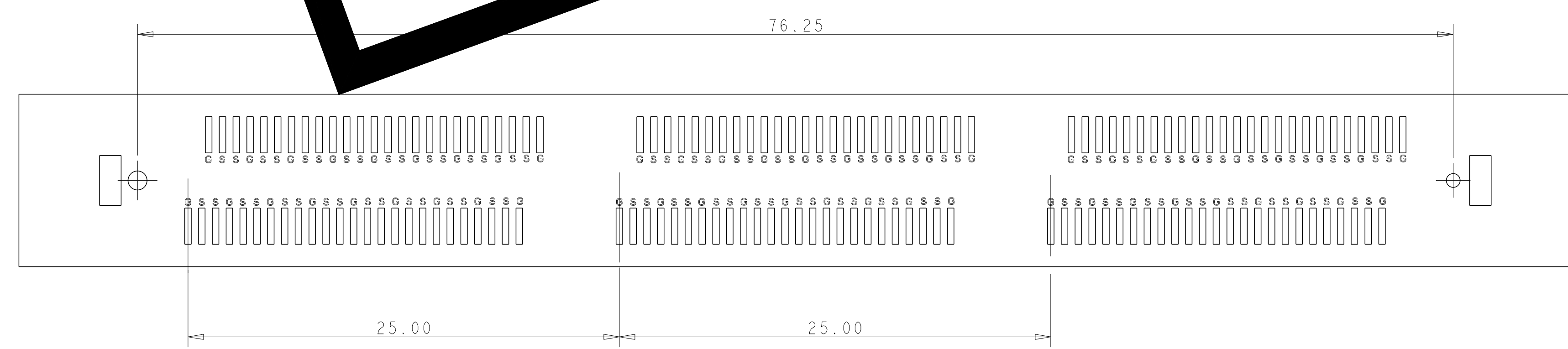
THIS DRAWING IS A CONTROLLED DOCUMENT.		DWN ART.LIN	10JUL2018		
DIMENSIONS:		CHK	-		
mm	0 PLC ±0.2	APVD	-	NAME	FH+ BTB FAMILY
	1 PLC ±0.15	PRODUCT SPEC		SIZE	108-115138
	2 PLC ±0.050	APPLICATION SPEC		CAGE CODE	114-115019
	3 PLC ±0.050	RESTRICTED TO		DRAWING NO	A100779C=2316375
	4 PLC ±0.0050	CUSTOMER DRAWING		SCALE	5:1
ANGLES	FINISH	WEIGHT		SHEET	2 OF 5
MATERIAL		CUSTOMER DRAWING		REV	6

REVISIONS				
P	LTN	DESCRIPTION	DATE	APVD
-	-	SEE SHEET 1	-	-



OBSOLETE

RECOMMENDED BY LAYOUT AND KEEP OUT AREA FOR SIGNALS
 SIGNAL GROUND

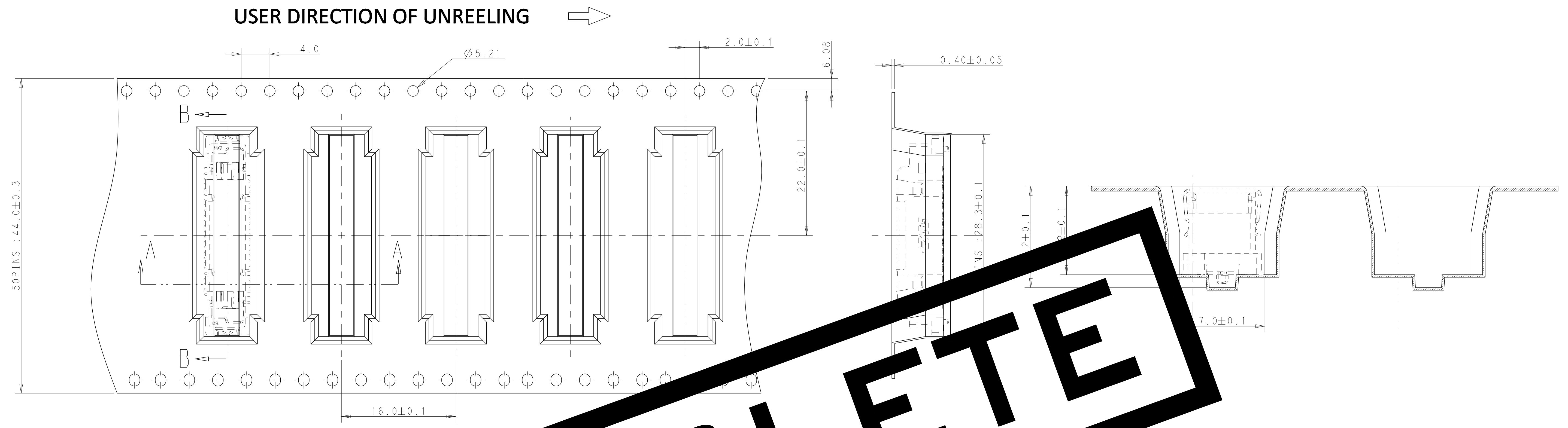


NOTE:
 9. STENCIL THICKNESS: 0.10MM MIN.

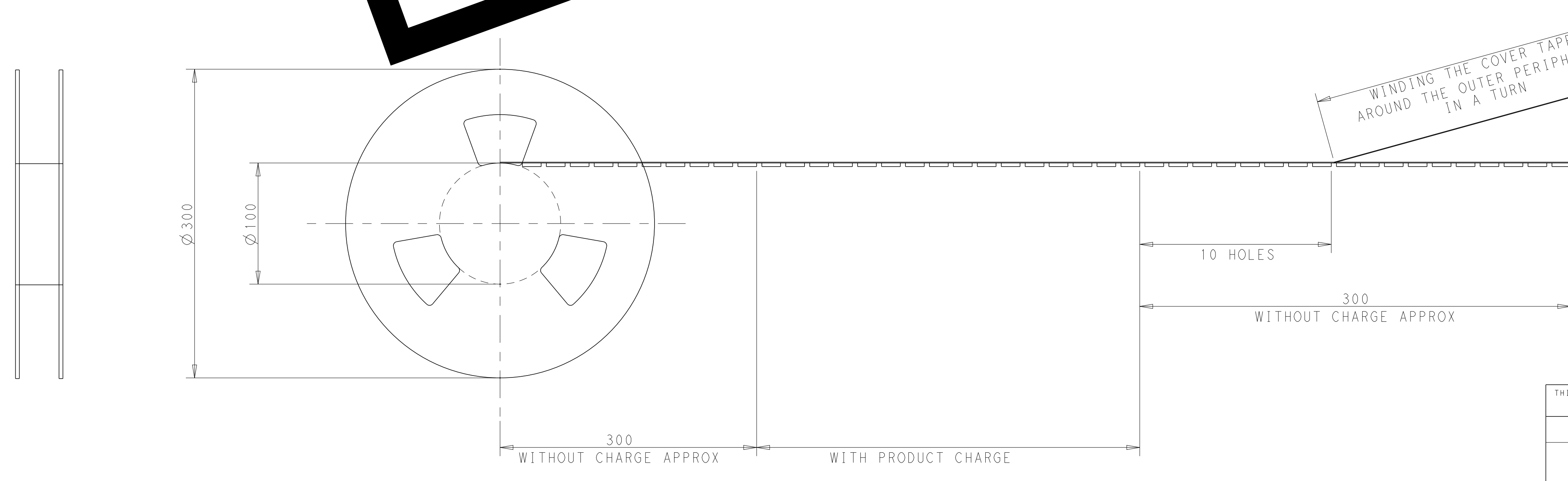
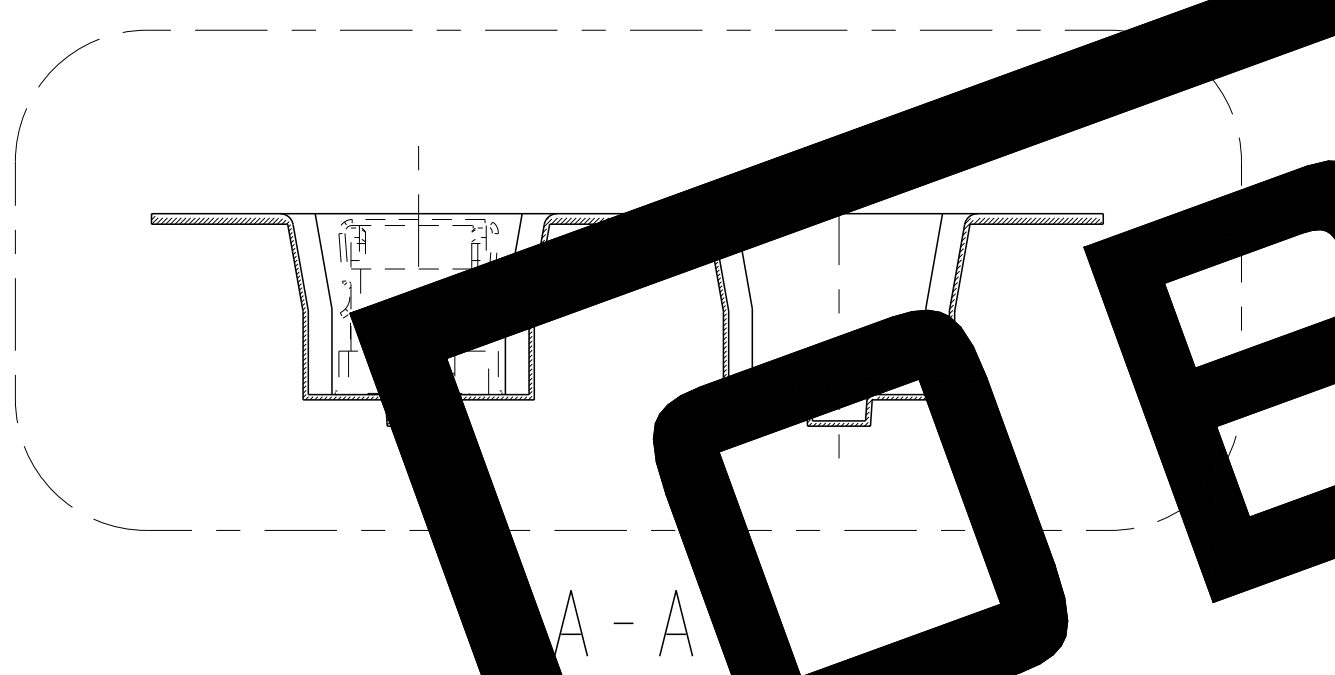
SCALE 5:1
 RECOMMENDED PCB LAYOUT FOR 150PINS
 THE OTHER DIMENSIONS ARE SAME WITH 50PINS

THIS DRAWING IS A CONTROLLED DOCUMENT.		DWN: ART.LIN 10JUL2018	STE TE Connectivity	
DIMENSIONS: mm		CHK: -		
TOLERANCES UNLESS OTHERWISE SPECIFIED:		APVD: -	NAME: FH+ BTB FAMILY	
0 PLC	±0.2	PRODUCT SPEC	108-115138	
1 PLC	±0.15	APPLICATION SPEC	114-115019	
2 PLC	±0.050	SIZE	A100779	C=2316375
3 PLC	±0.0050	WEIGHT	CUSTOMER DRAWING	
4 PLC	±0.0050	SCALE	5:1	SHEET 3 OF 5
ANGLES	±2°	REV	6	
FINISH	-	RESTRICTED TO		

REVISIONS				
P.	LTN.	DESCRIPTION	DATE	APVD.
-	-	SEE SHEET 1	-	-



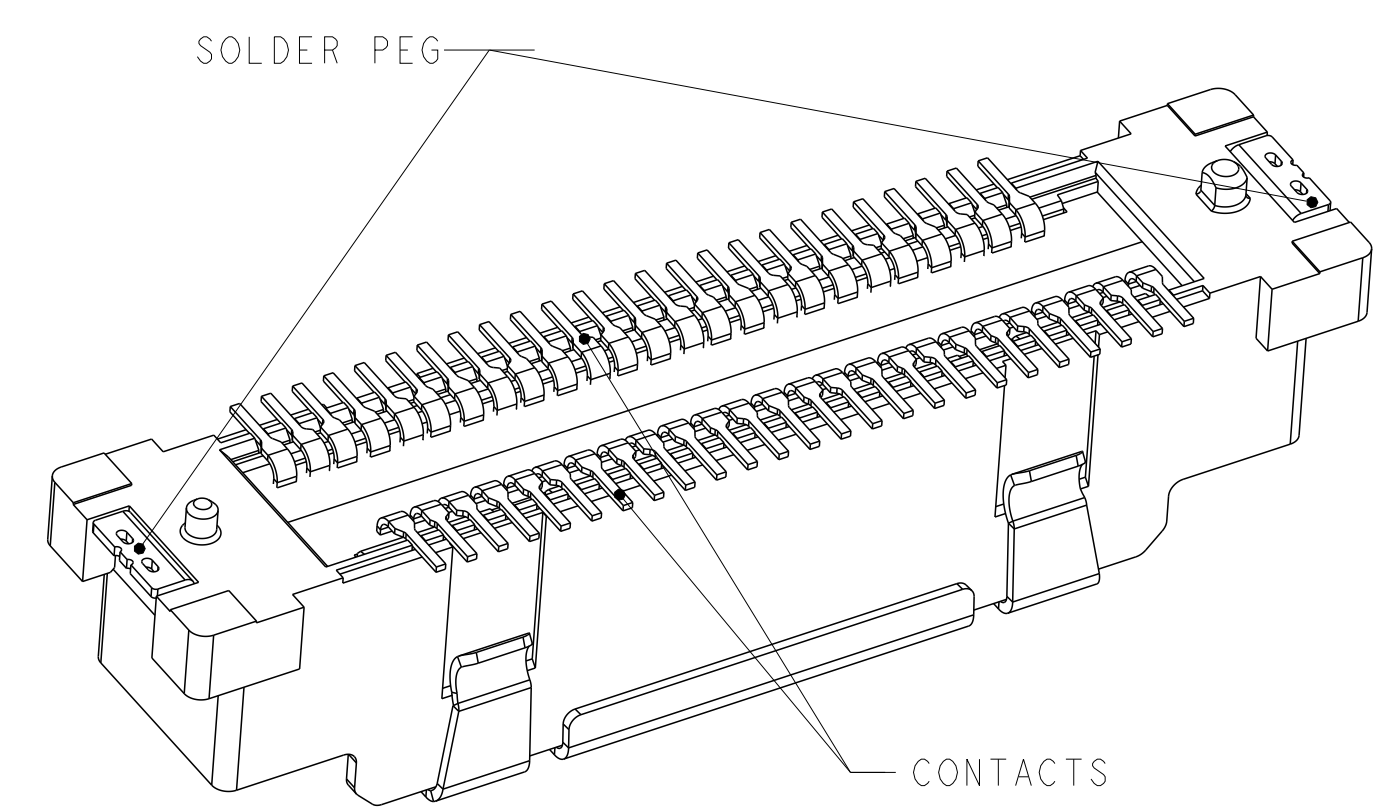
OBSELETE



NOTE:
10. 560 PCS / REEL

THIS DRAWING IS A CONTROLLED DOCUMENT.		DWN: ART.LIN 10JUL2018	TE Connectivity	
DIMENSIONS: mm		CHK: -		
TOLERANCES UNLESS OTHERWISE SPECIFIED:		APVD: -	PRODUCT SPEC: 108-115138	
0 PLC ± 0.2		APPLICATION SPEC: 114-115019		
1 PLC ± 0.15		SIZE: 114-115019		
2 PLC ± 0.1		CAGE CODE: -		
3 PLC ± 0.050		DRAWING NO: A100779C=2316375		
4 PLC ± 0.0050		RESTRICTED TO: -		
ANGLES $\pm 2^\circ$		WEIGHT: -		
FINISH: -		CUSTOMER DRAWING		
MATERIAL: -		SCALE: 5:1		
		SHEET 4 OF 5		
		REV 6		

REVISIONS				
P. LTR	DESCRIPTION	DATE	DWN	APVD
-	SEE SHEET 1	-	-	-

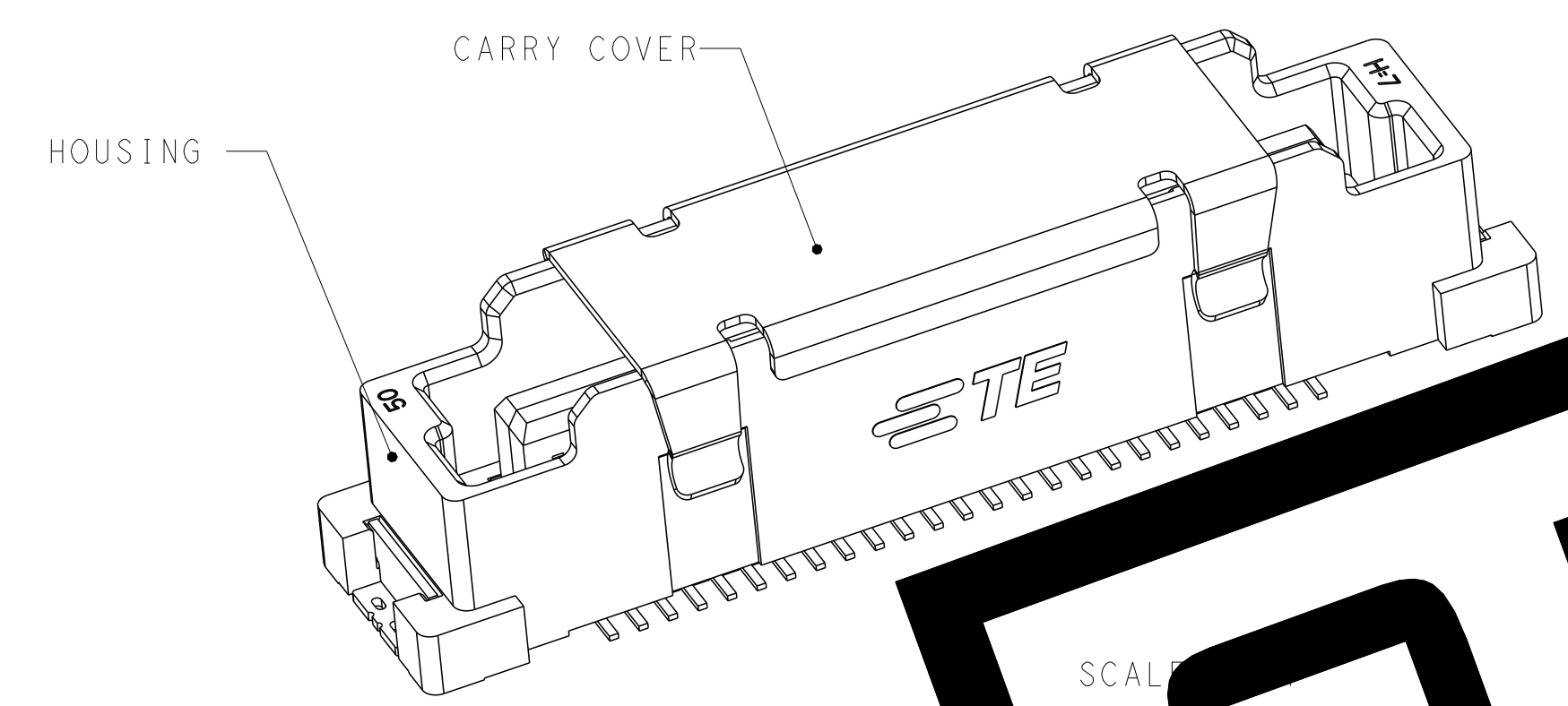


SCALE 6:1

PART NO : X-2316375-X

- BLANK: 30u" Au PLATED & TAPE AND REEL
- 1: 30u" Au PLATED & TUBE
- 2: 8u" Au PLATED & TAPE AND REEL
- 3: 8u" Au PLATED & TUBE
- 4: FLASH GOLD Au PLATED & TAPE AND REEL
- 5: FLASH GOLD PLATED & TUBE
- 6: RESERVED
- 7: RESERVED
- 8: RESERVED
- 9: RESERVED

- 1: 50POS & WITH CARRY COVER
- 2: 50POS & WITHOUT CARRY COVER
- 3: 100POS & WITH CARRY COVER
- 4: 100POS & WITHOUT CARRY COVER
- 5: 150POS & WITH CARRY COVER
- 6: 150POS & WITHOUT CARRY COVER
- 7: RESERVED
- 8: RESERVED
- 9: RESERVED

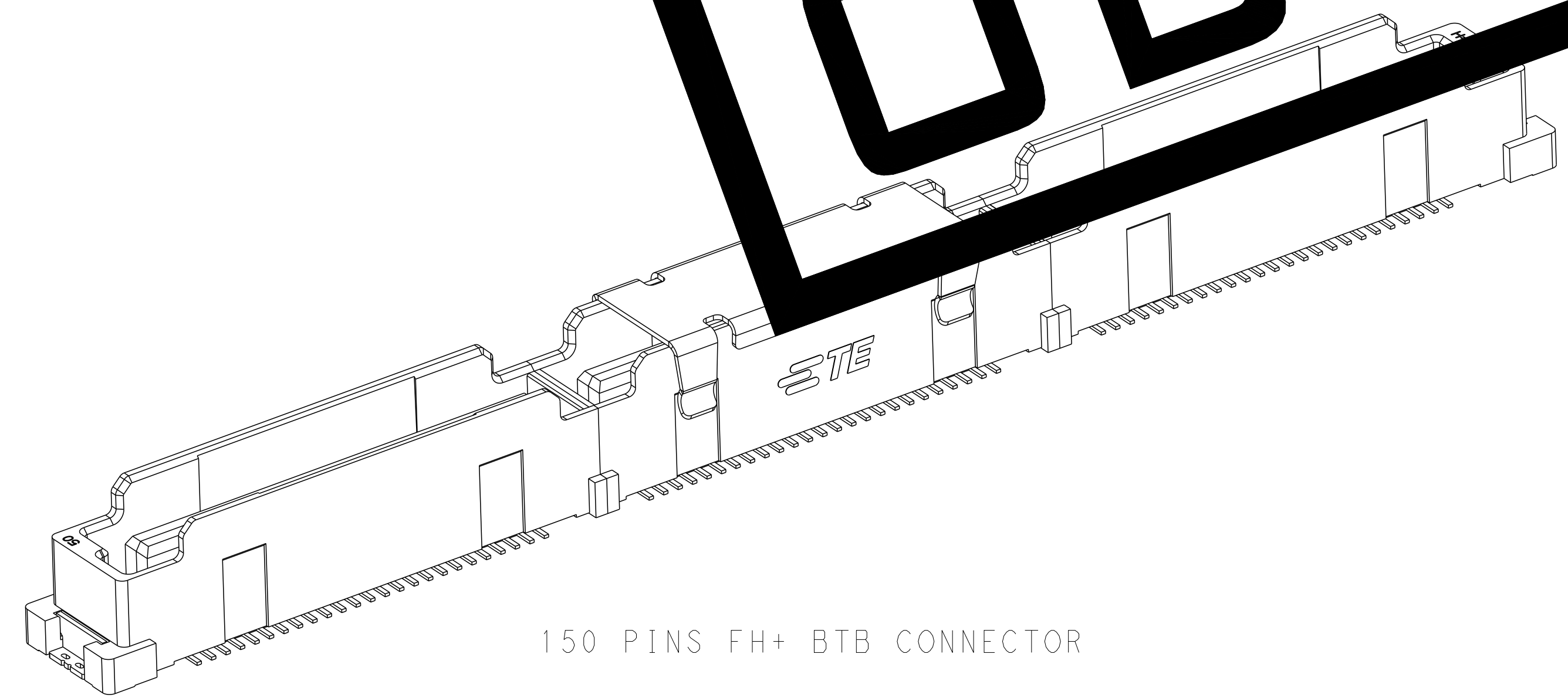


SCALE

OBSOLETE

TABLE P/N LIST

ASSY P/N	PACKAGE TYPE	CARRY COVER	PLATING Au TYPE
2316375-1	TAPE & REEL	YES	30u"
2316375-2	TAPE & REEL	NO	
1-2316375-1	TUBE	YES	8u"
1-2316375-2	TUBE	NO	
2-2316375-1	TAPE & REEL	YES	
2-2316375-2	TAPE & REEL	NO	
3-2316375-1	TUBE	YES	FLASH GOLD
3-2316375-2	TUBE	NO	
4-2316375-1	TAPE & REEL	YES	
4-2316375-2	TAPE & REEL	NO	
5-2316375-1	TUBE	YES	
5-2316375-2	TUBE	NO	



150 PINS FH+ BTB CONNECTOR

THIS DRAWING IS A CONTROLLED DOCUMENT. DWN: ART.LIN 10JUL2018

CHK: -

APVD: -

NAME: FH+ BTB FAMILY

PRODUCT SPEC: -

APPLICATION SPEC: 108-115138

SIZE: 114-115019

RESTRICTED TO: A100779C=2316375

CUSTOMER DRAWING

SCALE: 5:1 SHEET: 5 OF 5 REV: 6

TE Connectivity

7MM HEIGHT PLUG CONNECTOR

X-ON Electronics

Largest Supplier of Electrical and Electronic Components

Click to view similar products for [Board to Board & Mezzanine Connectors](#) category:

Click to view products by [TE Connectivity](#) manufacturer:

Other Similar products are found below :

[589158040000018](#) [MDF7C-18P-2.54DSA\(55\)](#) [FCN-230C068-11](#) [FCN-268F012-G/BD](#) [FCN-268F036-G/BD](#) [FCN-268M012-G/0D](#) [FCN-268M024-G/1D](#) [FCN-723J004/1](#) [MIS-048-01-F-D-DP-K](#) [832-10-034-10-001000](#) [FX4C-80S-1.27DSA](#) [FCN-214Q030-G/0](#) [FCN-234P048-G/0](#) [FCN-235D050-G/C](#) [210-93-314-41-105000](#) [2-22603-0](#) [MDF7-40DP-2.54DSA\(55\)](#) [AXG720047](#) [5031084030](#) [MIT-114-03-F-D-K](#) [55323-1519](#) [DF33-2P-3.3DSA\(24\)](#) [YFT-20-05-H-03-SB-K](#) [503308-3040](#) [026-6203-PDB](#) [027-6203-PDB](#) [069159702701000](#) [10123981-102LF](#) [101A10019X](#) [55650-0588-C](#) [68684-306](#) [75140-7012](#) [194261-1](#) [FCN-268F024-G0D](#) [10124054-515LF](#) [68685-603](#) [8-1616154-3](#) [MIS-019-01-F-D](#) [541371078](#) [IL-WX-10PB-HF-B-E1000E](#) [FCN-268M024-G/3D](#) [20021832-06016C1LF](#) [KX15-20KLDL-E1000E](#) [MDF7-16DP-2.54DSA\(55\)](#) [AXE810124](#) [FCN-214J100-G/0](#) [FCN-230C068-E/S](#) [AXE812124](#) [AXE816124](#) [AXE720127](#)