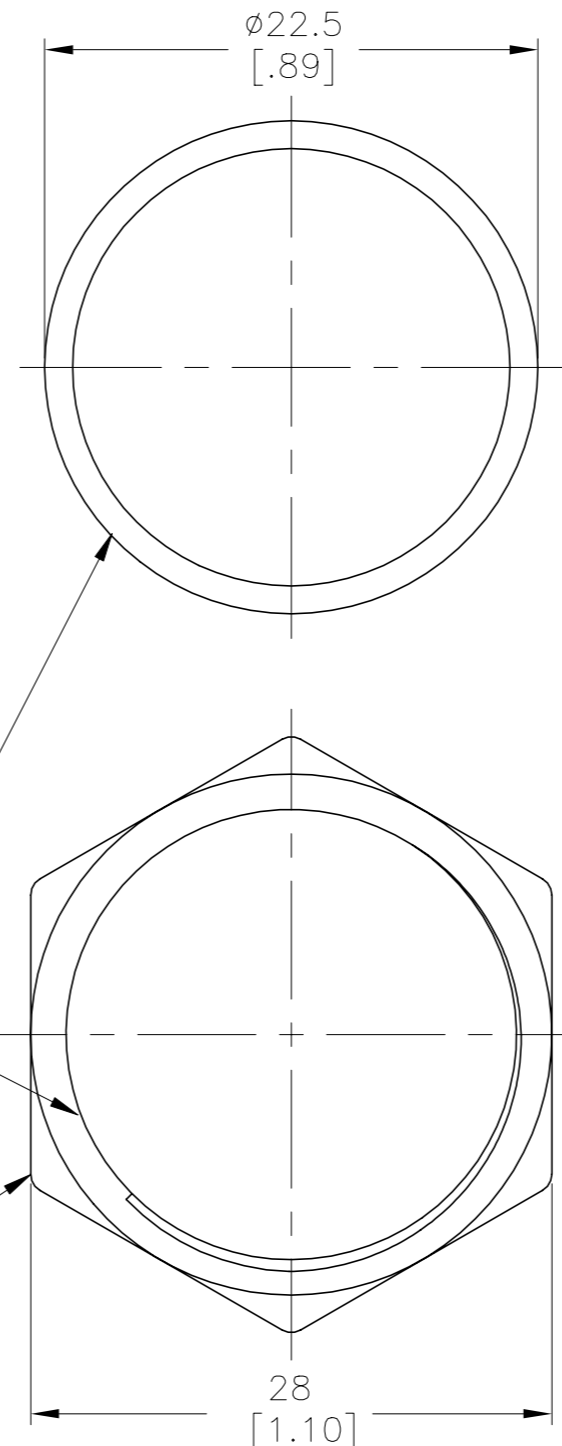
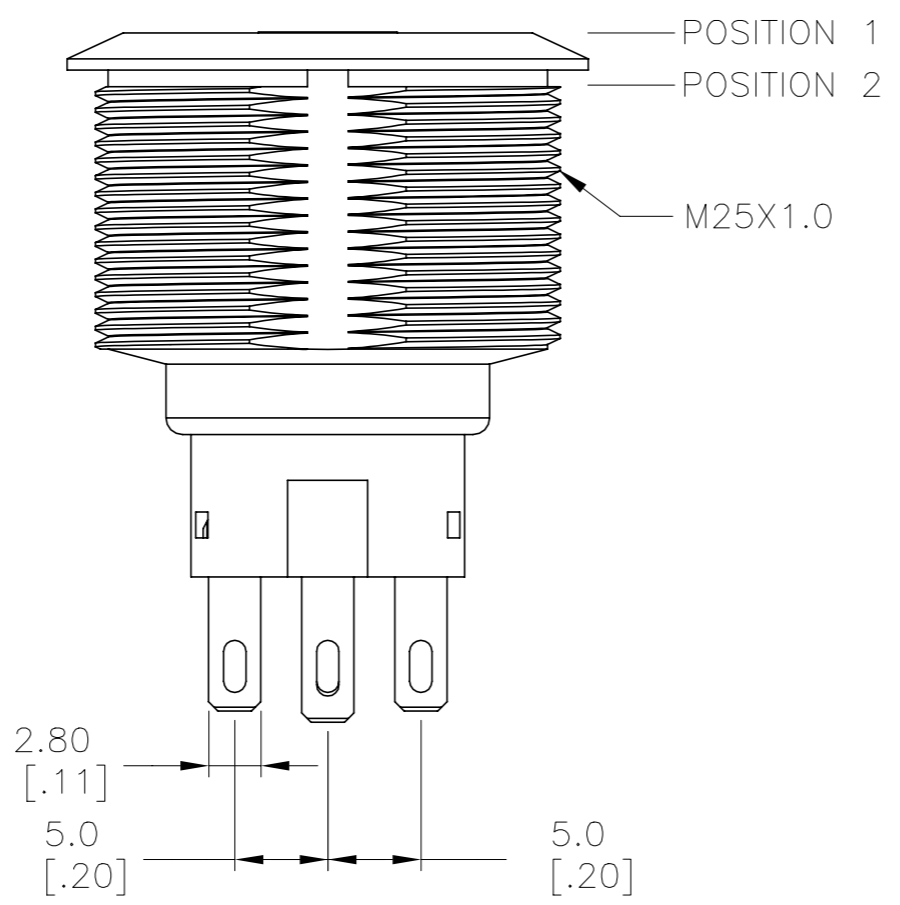
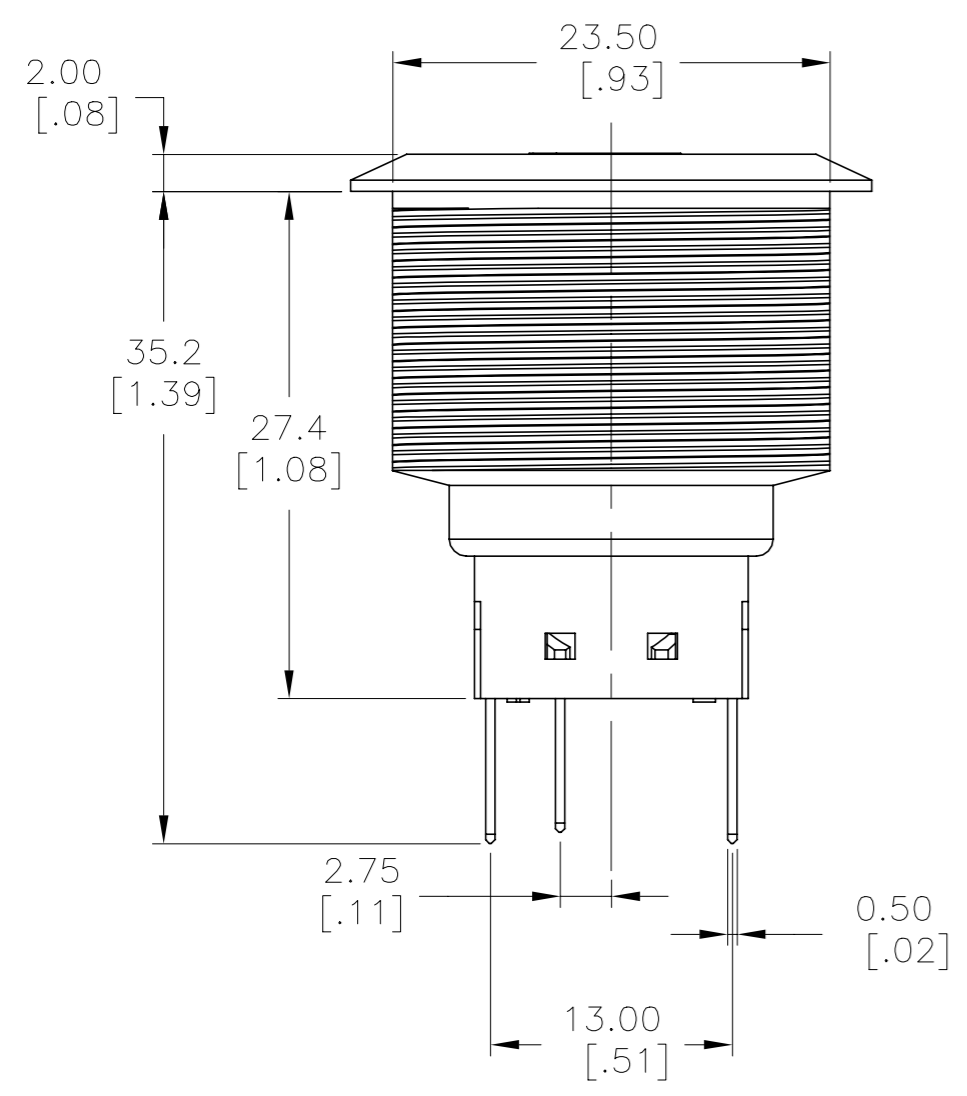
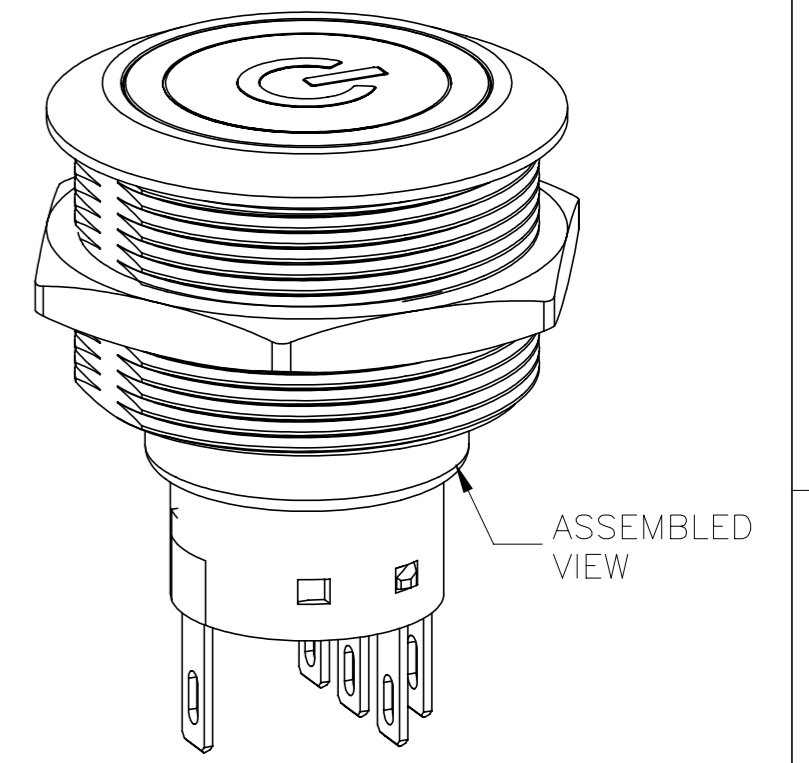
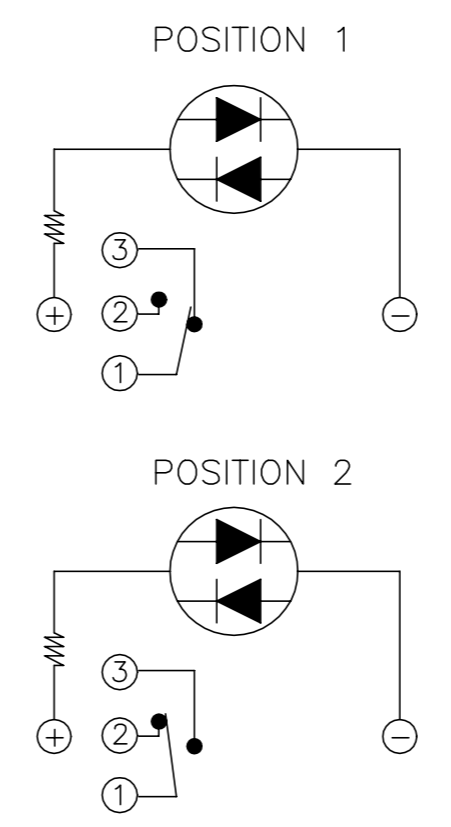
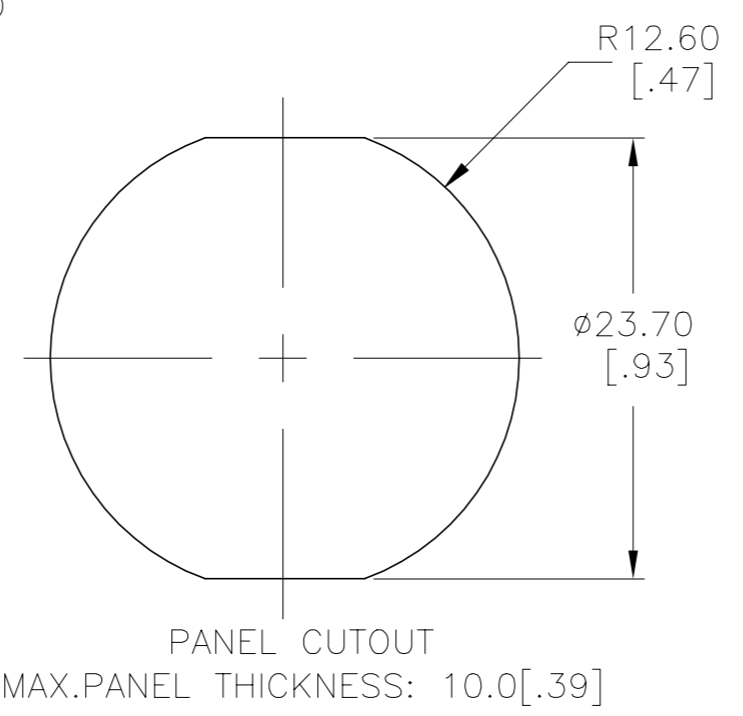
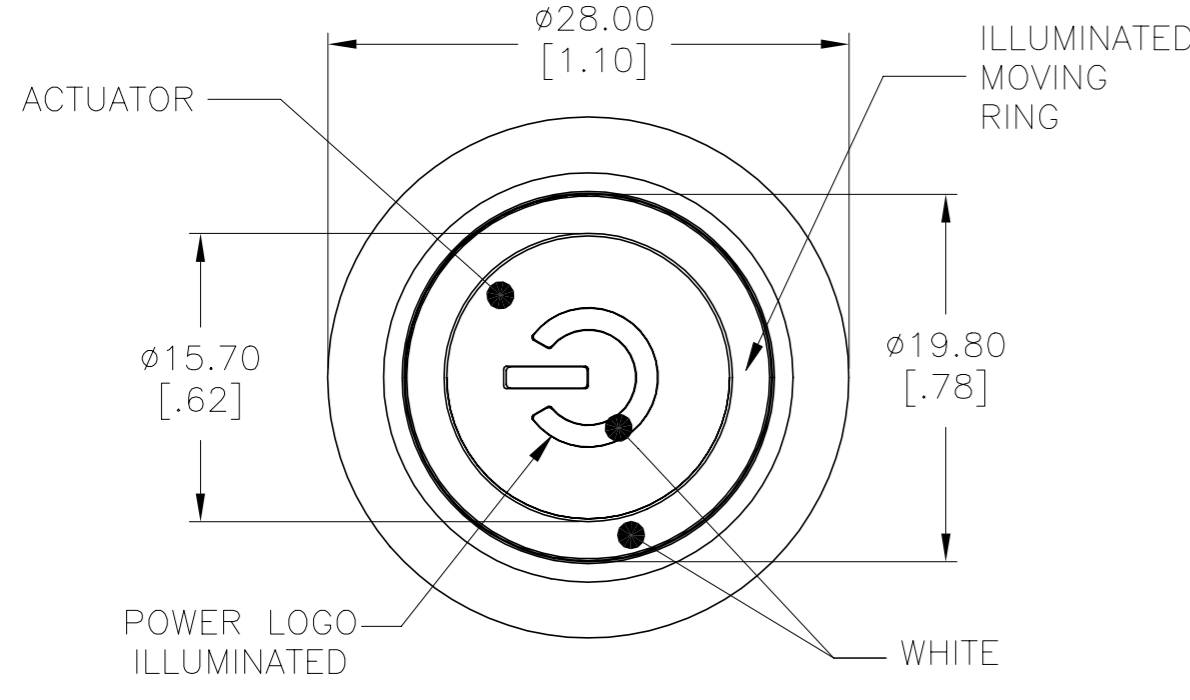


SINGLE POLE SWITCH

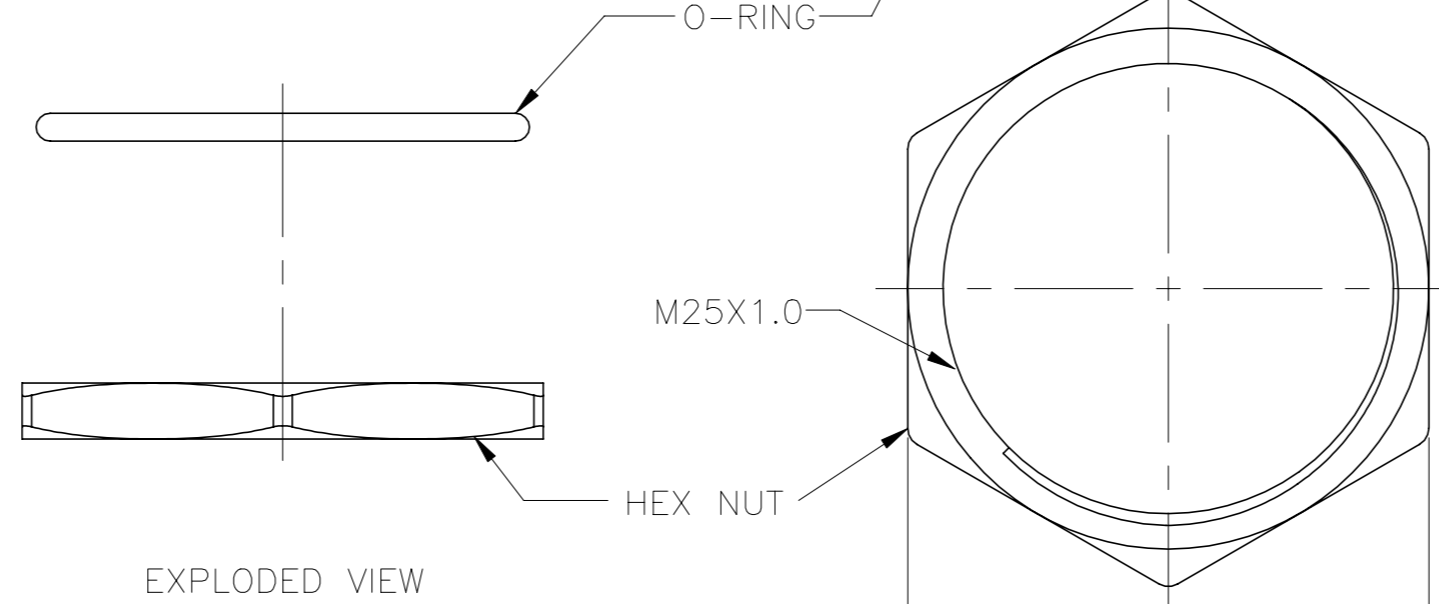
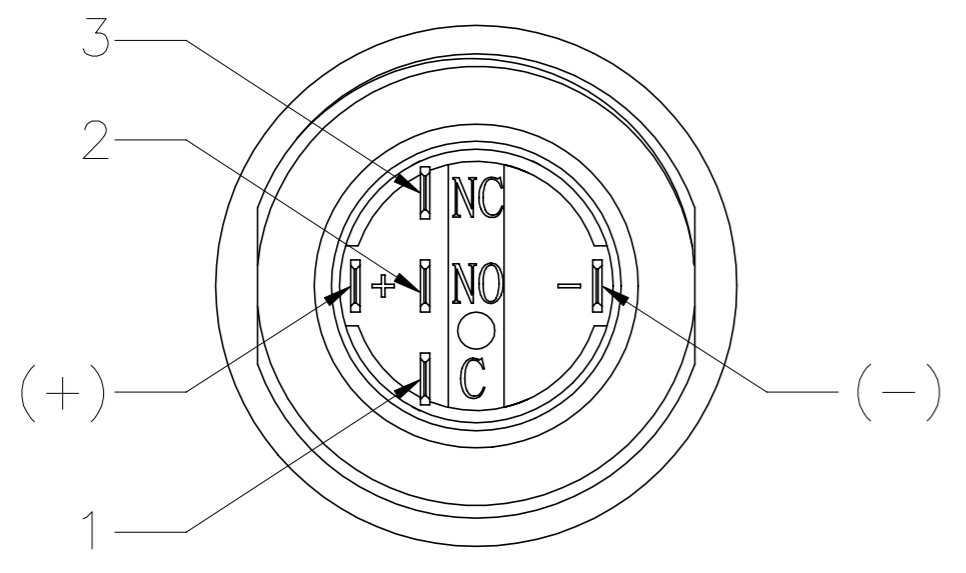
REVISIONS					
P	LTR	DESCRIPTION	DATE	DWN	APVD
	A1	ECR-17-011951	16JUN2021	RK	AS



SPECIFICATION:
 CONTACT RATING: SILVER; 3A @ 250VAC RESISTIVE
 GOLD; 0.4A @ 20VDC OR PEAK AC
 INSULATION RESISTANCE: 1,000MΩ MIN AT 500VDC
 DIELECTRIC STRENGTH: 2,000V RMS @ SEA LEVEL
 CONTACT RESISTANCE: 50mΩ MAX @ 1A 12VDC (INITIAL VALUE),
 SOLDER TERMINALS
 100mΩ MAX @ 1A 12VDC (INITIAL VALUES),
 FLYING LEADS.
 ELECTRICAL LIFE CYCLES: 50,000 MAKE AND BREAK CYCLES
 AT FULL LOAD.
 ACTUATION FORCE: SP: 2.5±1 N, DP: 3.5±1 N
 ACTUATION TRAVEL: APPROXIMATELY 3.2mm
 SEALED PER IP67, IK08 (STAINLESS)
 OPERATING TEMPERATURE: -20°C TO +55°C
 MECHANICAL LIFECYCLES: MOMENTARY; 1,000,000 CYCLES
 LOCKING; 500,000 CYCLES
 HARDWARE TORQUE: 5-14 N-m.

MATERIALS
 BUSHING: STAINLESS STEEL,
 BASE: PBT (UL 94-V0), PC (UL 94-V2),
 ACTUATOR: STAINLESS STEEL, PC
 O-RING: SILICONE,
 TERMINAL/CONTACT: COPPER BASE, SILVER/GOLD PLATED,
 HEX NUT: BRASS BASE, NICKEL PLATED.

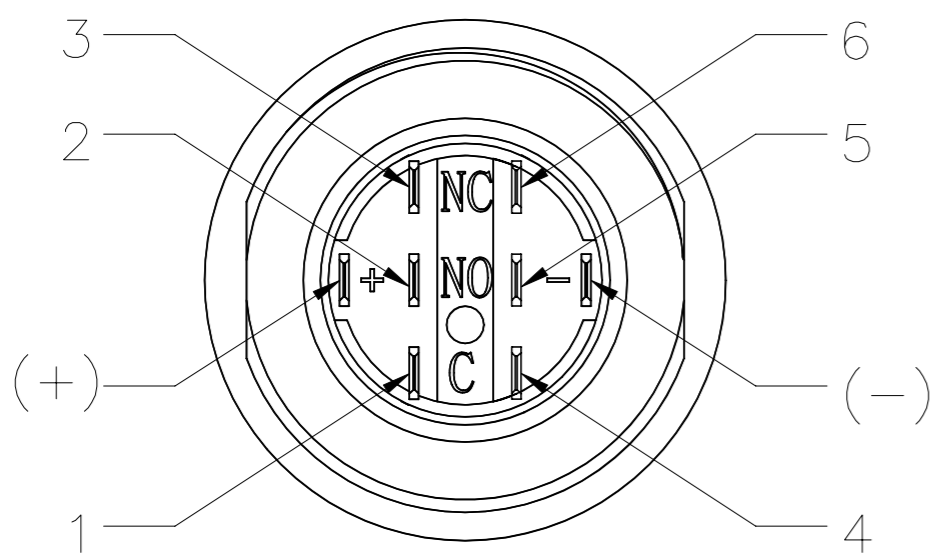
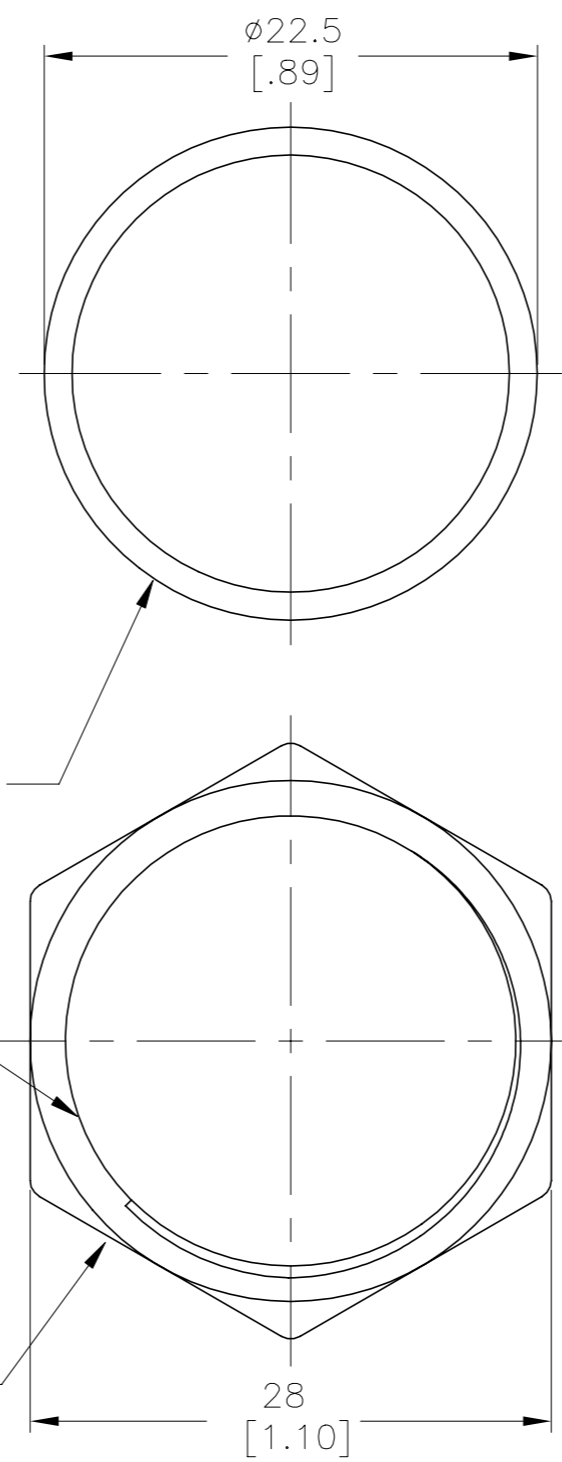
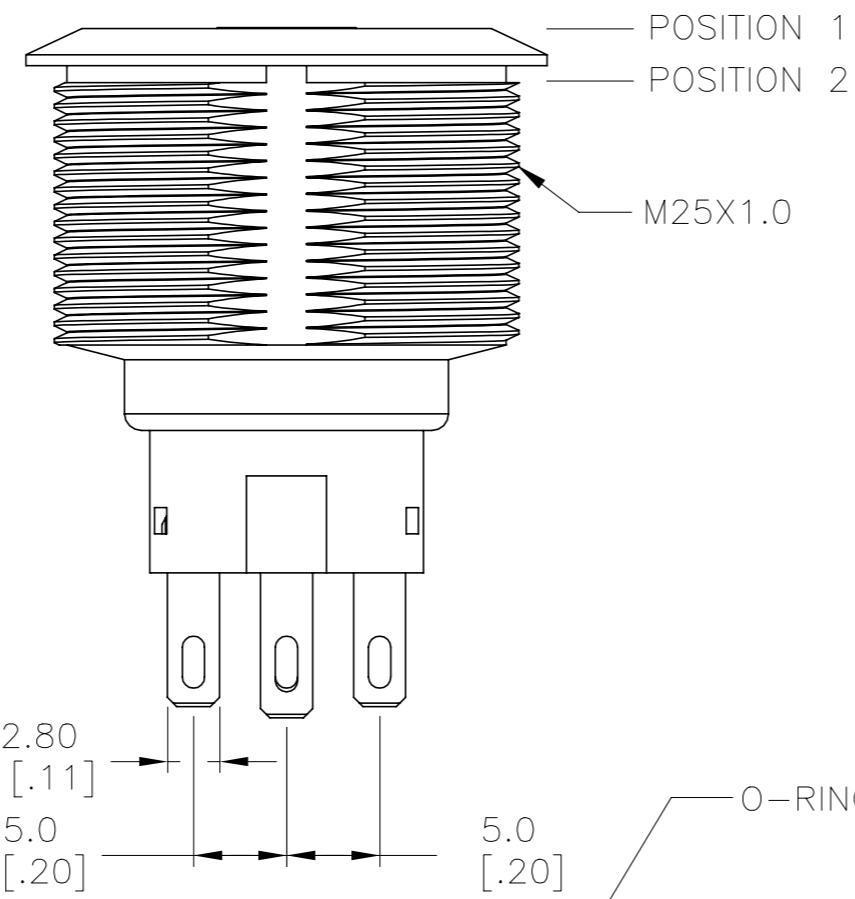
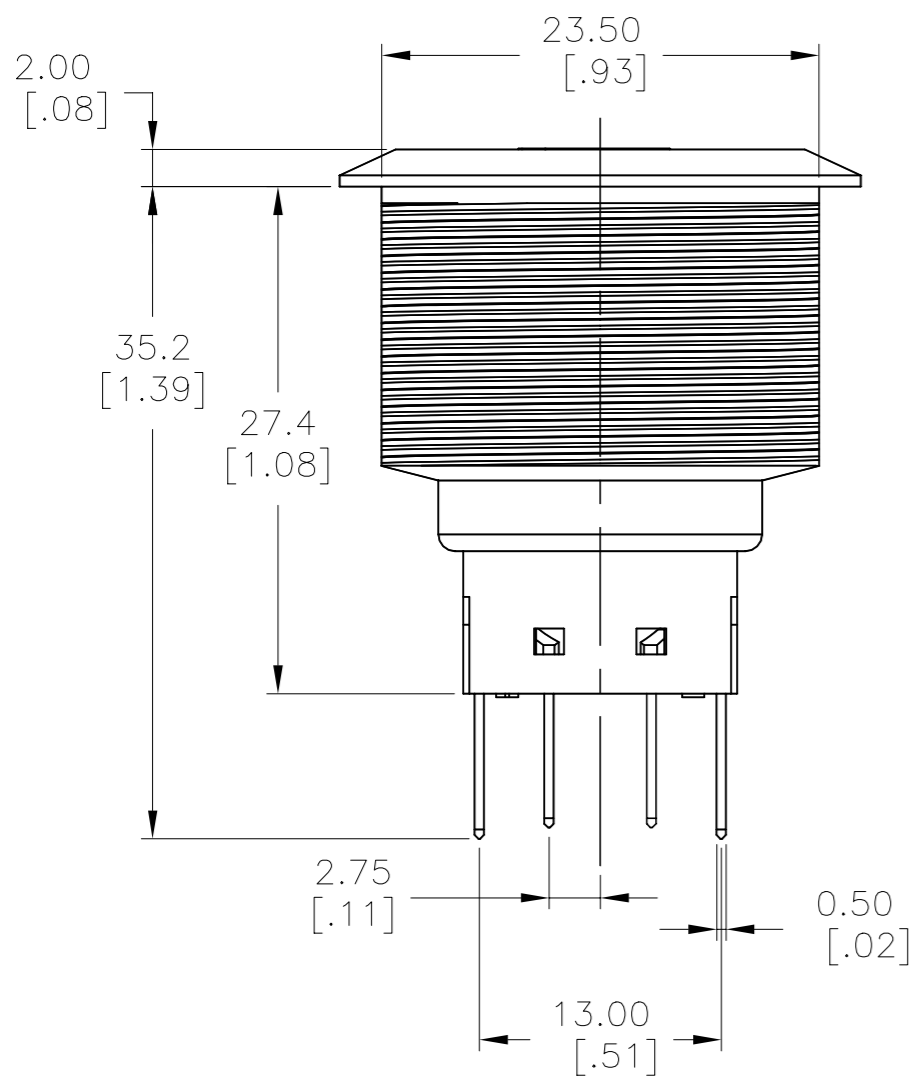
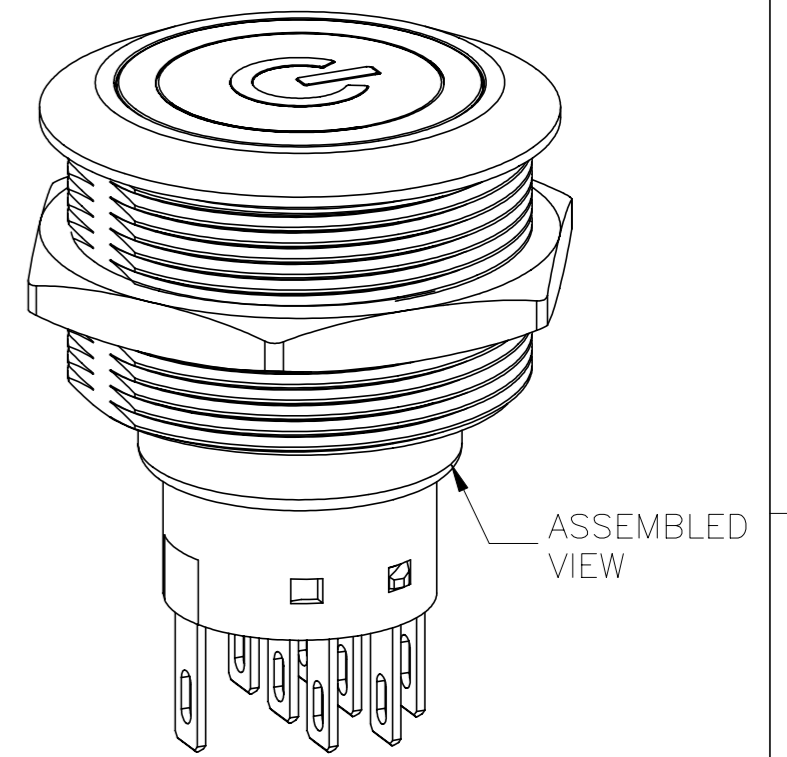
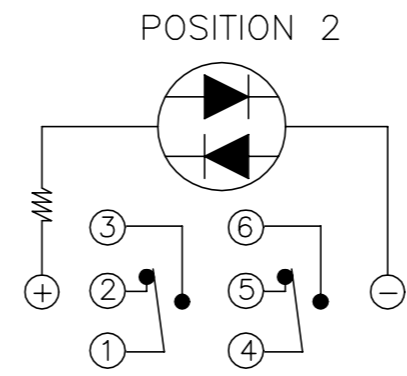
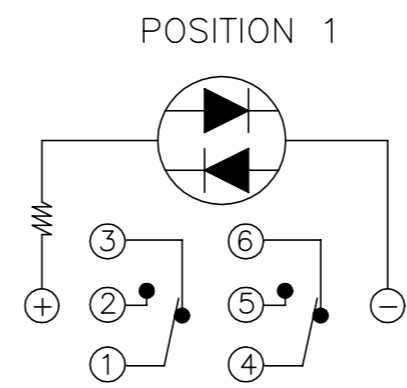
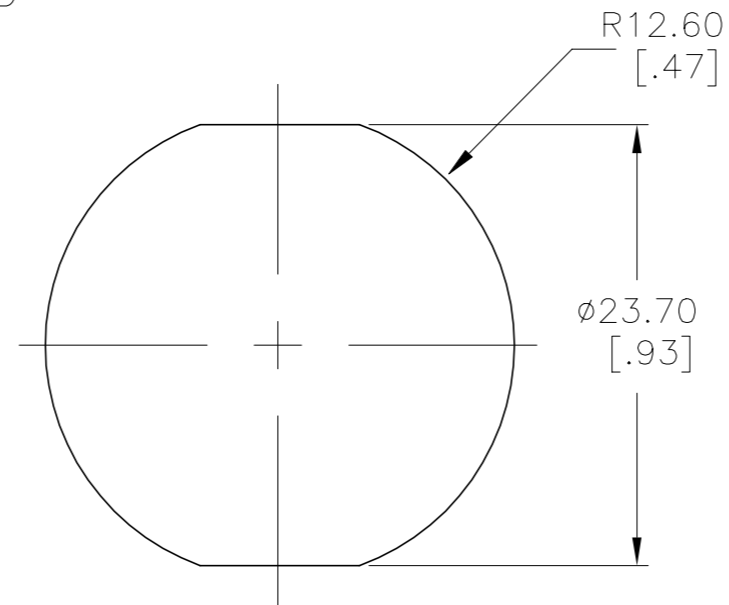
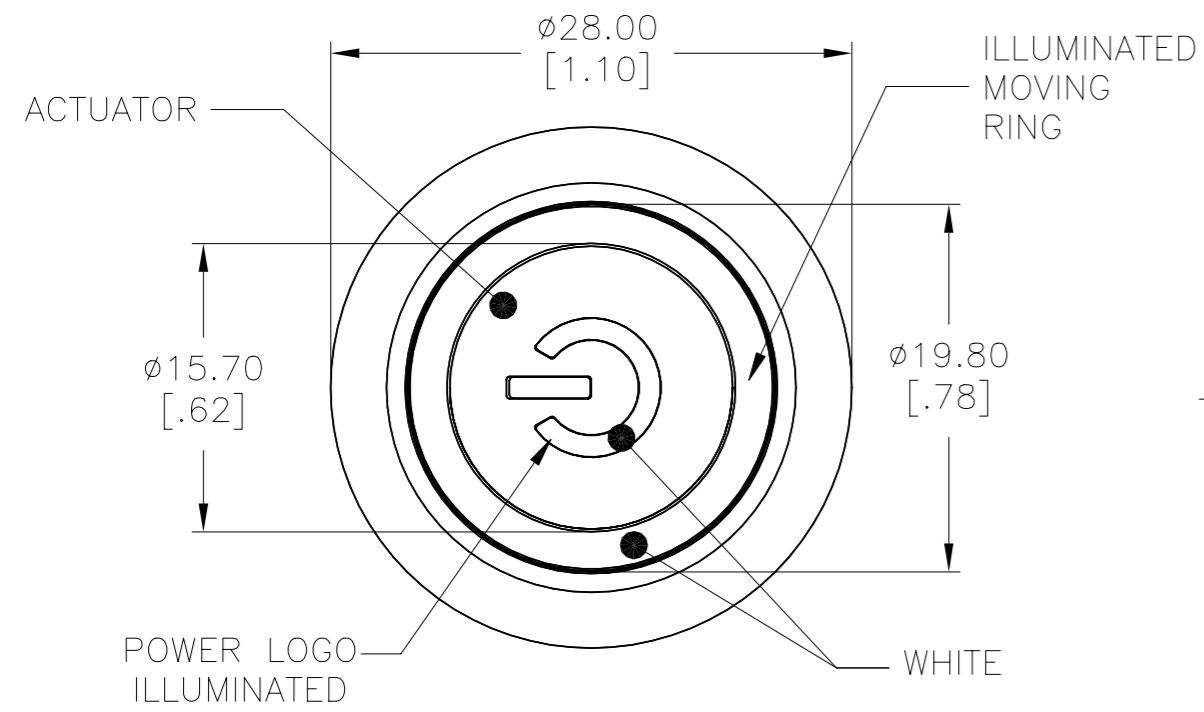
1. ALL MATERIAL AND FINISHES SHALL COMPLY WITH EU DIRECTIVE 2002/95/EC OF 27JAN2003(ROHS).



THIS DRAWING IS A CONTROLLED DOCUMENT.		DWN SHIVAKUMAR S S 15MAR2017	STE TE Connectivity	
		CHK SANJAY SHINDIKAR 15MAR2017		
DIMENSIONS: mm [INCHES]		APVD SANJAY SHINDIKAR 15MAR2017	NAME ANTI-VANDAL SWITCH 25mm, SOLDER TERMINALS MOVING RING LED PLUS POWER LOGO	
TOLERANCES UNLESS OTHERWISE SPECIFIED:		PRODUCT SPEC	SIZE CAGE CODE DRAWING NO RESTRICTED TO	
0 PLC ± -		APPLICATION SPEC	A2 00779 C=2317658 -	
1 PLC ± 0.4 [.016]		WEIGHT	SCALE SHEET REV	
2 PLC ± 0.25 [.010]		CUSTOMER DRAWING	1:1 1 OF 3 A1	
3 PLC ± -				
4 PLC ± -				
ANGLES ± 2°				
MATERIAL FINISH				

DOUBLE POLE SWITCH

REVISIONS					
P	LTR	DESCRIPTION	DATE	DWN	APVD
-	-	SEE SHEET 1	-	-	-



THIS DRAWING IS A CONTROLLED DOCUMENT.		DWN SHIVAKUMAR S S 15MAR2017																
DIMENSIONS: mm [INCHES]		CHK SANJAY SHINDIKAR 15MAR2017																
TOLERANCES UNLESS OTHERWISE SPECIFIED:		APVD SANJAY SHINDIKAR 15MAR2017	NAME ANTI-VANDAL SWITCH 25mm, SOLDER TERMINALS MOVING RING LED PLUS POWER LOGO															
<table border="1"> <tr><td>0 PLC</td><td>± -</td></tr> <tr><td>1 PLC</td><td>± 0.4 [.016]</td></tr> <tr><td>2 PLC</td><td>± 0.25 [.010]</td></tr> <tr><td>3 PLC</td><td>± -</td></tr> <tr><td>4 PLC</td><td>± -</td></tr> <tr><td>ANGLES</td><td>± 2°</td></tr> <tr><td>FINISH</td><td>-</td></tr> </table>		0 PLC	± -	1 PLC	± 0.4 [.016]	2 PLC	± 0.25 [.010]	3 PLC	± -	4 PLC	± -	ANGLES	± 2°	FINISH	-	PRODUCT SPEC -	RESTRICTED TO -	
0 PLC	± -																	
1 PLC	± 0.4 [.016]																	
2 PLC	± 0.25 [.010]																	
3 PLC	± -																	
4 PLC	± -																	
ANGLES	± 2°																	
FINISH	-																	
MATERIAL -		APPLICATION SPEC -	WEIGHT -	SIZE A2														
CUSTOMER DRAWING		SCALE 1:1	SHEET 2 of 3	REV A1														

4

3

2


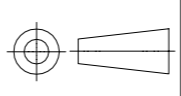
1

THIS DRAWING IS UNPUBLISHED. RELEASED FOR PUBLICATION
 © COPYRIGHT - By - ALL RIGHTS RESERVED.

REVISIONS					
P	LTR	DESCRIPTION	DATE	DWN	APVD
-	-	SEE SHEET 1	-	-	-

CONTACT FINISH	LIGHT TYPE	TERMINAL OPTION	POLE/THROW	LED COLOR	LED VOLTAGE	TE DESCRIPTIVE PART NUMBER	TE PART NUMBER
SILVER	MOVING RING PLUS POWER LOGO	SOLDER TERMINAL	DOUBLE POLE - LOCKING	BLUE	24	AV2521M724Q04	3-2317658-0
				GREEN	24	AV2521M624Q04	2-2317658-9
				YELLOW	24	AV2521M524Q04	2-2317658-8
				RED	24	AV2521M324Q04	2-2317658-7
				WHITE	24	AV2521M124Q04	2-2317658-6
			DOUBLE POLE - MOMENTARY	BLUE	24	AV2520M724Q04	2-2317658-5
				GREEN	24	AV2520M624Q04	2-2317658-4
				YELLOW	24	AV2520M524Q04	2-2317658-3
				RED	24	AV2520M324Q04	2-2317658-2
				WHITE	24	AV2520M124Q04	2-2317658-1
			SINGLE POLE - LOCKING	BLUE	24	AV2511M724Q04	1-2317658-0
				GREEN	24	AV2511M624Q04	2317658-9
				YELLOW	24	AV2511M524Q04	2317658-8
				RED	24	AV2511M324Q04	2317658-7
				WHITE	24	AV2511M124Q04	2317658-6
			SINGLE POLE - MOMENTARY	BLUE	12	AV2510M712Q04	2317658-5
				GREEN	12	AV2510M612Q04	2317658-4
				YELLOW	12	AV2510M512Q04	2317658-3
				RED	12	AV2510M312Q04	2317658-2
				WHITE	12	AV2510M112Q04	2317658-1

2317658

THIS DRAWING IS A CONTROLLED DOCUMENT.		DWN 15MAR2017 SHIVAKUMAR S S	 TE Connectivity	
DIMENSIONS: mm [INCHES]		CHK 15MAR2017 SANJAY SHINDIKAR		
TOLERANCES UNLESS OTHERWISE SPECIFIED:		APVD 15MAR2017 SANJAY SHINDIKAR	NAME ANTI-VANDAL SWITCH 25mm, SOLDER TERMINALS MOVING RING LED PLUS POWER LOGO	
		PRODUCT SPEC	SIZE CAGE CODE DRAWING NO RESTRICTED TO	
MATERIAL FINISH		APPLICATION SPEC	A2 00779 C=2317658	
		WEIGHT	SCALE 1:1 SHEET 3 of 3 REV A1	
		CUSTOMER DRAWING		

X-ON Electronics

Largest Supplier of Electrical and Electronic Components

Click to view similar products for [Pushbutton Switches](#) category:

Click to view products by [TE Connectivity](#) manufacturer:

Other Similar products are found below :

[8940K2012](#) [LW1L-M1C10V-A](#) [LW1L-M1C70-A](#) [LW2L-A1C20M-GD](#) [LW2L-M1C20M-A](#) [60324L](#) [M22-D-R-GB0/K11](#) [M7E-HRN2](#)
[67021K512](#) [67081K512X](#) [701PB580](#) [7199K101](#) [810K12910](#) [810KSV30B](#) [MML21EA2ADK](#) [MML21KA3ABK](#) [MML23KA3AC05K-001](#)
[MML23KW3AA01W](#) [8418K2](#) [8442K3](#) [8450K1](#) [860K11911T01A](#) [861901](#) [861K11911T01A07](#) [861K13810T00A14](#) [861K13911](#)
[8646AB6X718UL](#) [8646ABUL](#) [9001KXRK](#) [907AYY100](#) [PMHD155A1](#) [9533CD4+U574+U4922](#) [95-414.000](#) [99-450.837](#) [99-453.837](#)
[PV3H2B0NN-341](#) [1203MRA](#) [A22NZBGANGA](#) [A22NZBNANGA](#) [A22NZMPATRA](#) [A2PMA1X03EC56](#) [A3A-5123-02](#) [A3A-7140](#) [A3A-7310](#) [A3A-7340](#) [A3U-TMW-A2C-5M](#) [A595](#) [12037A2ULCSA](#) [ABD122N-B](#) [1211390004](#)