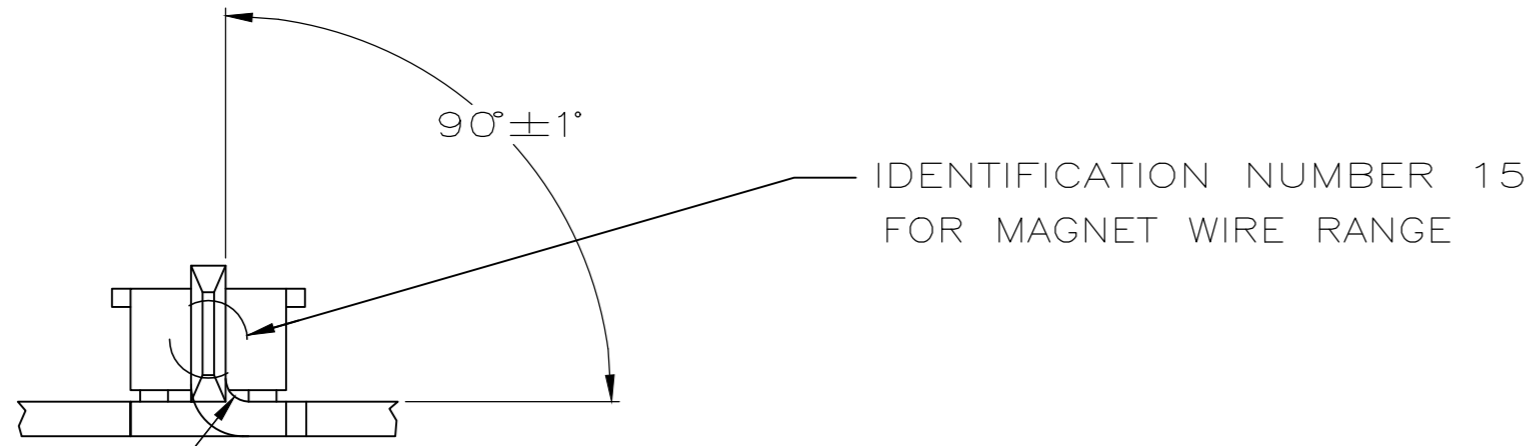


THIS DRAWING IS UNPUBLISHED. RELEASED FOR PUBLICATION  
 © COPYRIGHT - By - ALL RIGHTS RESERVED.

REVISIONS				
P	LTR	DESCRIPTION	DATE	APVD
B3		DRAWING CLARIFICATION	29JUL2019	SV PKS



R0.51 MAX  
 [.020]

1 CONTINUOUS STRIP ON REELS WITH TERMINALS LOCATED ON 8.38±0.076 [.330±.003] CENTERS

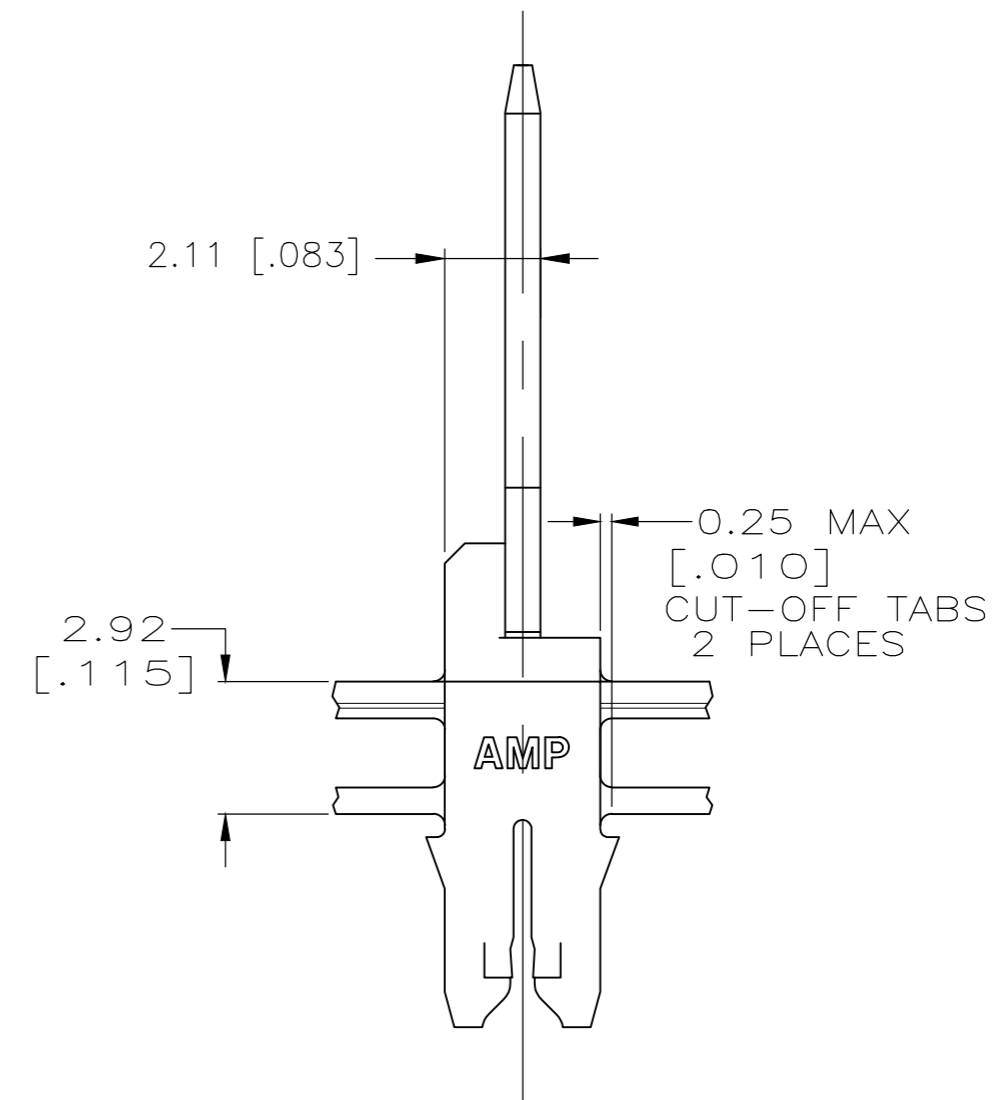
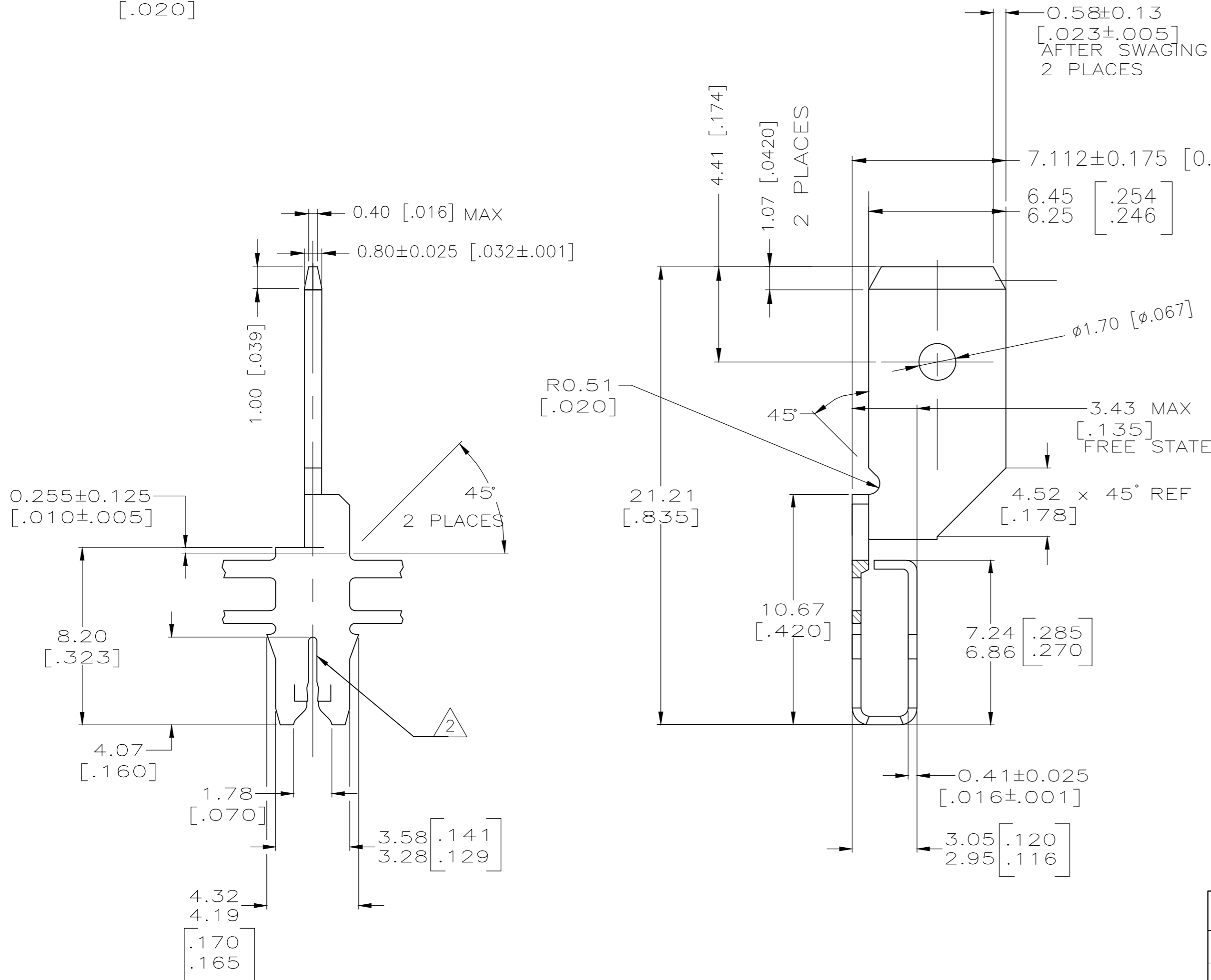
2 SLOT ACCEPTS 0.64–0.81 mm [#22–#20] SINGLE COPPER MAGNET WIRE ONLY OR SLOT ACCEPTS 0.72–0.91 mm [#21–#19] SINGLE ALUMINUM MAGNET WIRE ONLY

3 REFER TO DWG 411–106396 FOR ADDITIONAL CAVITY INFORMATION (MODIFIED DEPTH)

4 PRELIMINARY – NOT FOR PRODUCTION. THIS PN HAS NOT COMPLETED THE QUALIFICATION TESTING.

5 0.002540 [.000100] MIN TIN PLATE

6 0.002032 [.000080] MIN SILVER PLATE OVER 0.001270 [.000050] MIN NICKEL PLATE



6	WELD	4	2232237-2
5	WELD		2232237-1
FINISH	SPLICE	PART NUMBER	

THIS DRAWING IS A CONTROLLED DOCUMENT.		DWN	R.GRZYBOWSKI	24JUN97	TE Connectivity		
DIMENSIONS: mm		CHK	M.S.FEHER	24JUN97	TAB, 6.30 [.250] CONNECTING, MAG-MATE		
TOLERANCES UNLESS OTHERWISE SPECIFIED:		APVD	N.E.NEFF	24JUN97	NAME	108-2012	
0 PLC	± -	PRODUCT SPEC	114-2046		SIZE	A2	00779
1 PLC	± -	APPLICATION SPEC	114-2046		CAGE CODE	C=2232237	RESTRICTED TO
2 PLC	± 0.25 [.010]	FINISH	SEE TABLE		DRAWING NO	SCALE	6:1
3 PLC	± -	MATERIAL	PRE-MILLED BRASS	WEIGHT	0.000000	SHEET	1 of 1
4 PLC	± -			CUSTOMER DRAWING			REV
ANGLES	± -						B3

## X-ON Electronics

Largest Supplier of Electrical and Electronic Components

*Click to view similar products for [Terminals](#) category:*

*Click to view products by [TE Connectivity](#) manufacturer:*

Other Similar products are found below :

[00-054007-01074-6](#) [00-054007-70206-1](#) [00-054007-70210-8](#) [00-054007-70217-7](#) [00-054007-70226-9](#) [00-054007-70228-3](#) [00-054007-70248-1](#) [00-054007-70256-6](#) [00-054007-70301-3](#) [00-054007-70316-7](#) [0-0320562-0](#) [00-054007-49560-4](#) [00-054007-70209-2](#) [00-054007-70225-2](#) [00-054007-70227-6](#) [00-054007-70231-3](#) [00-054007-70241-2](#) [00-054007-70242-9](#) [00-054007-70244-3](#) [00-054007-70246-7](#) [00-054007-70263-4](#) [00-054007-70288-7](#) [00-054007-70290-0](#) [00-054007-70300-6](#) [00-054007-70304-4](#) [01-2065-1-0216](#) [01-2900-1-04412](#) [00581P0075](#) [600TS-10](#) [60205-1](#) [604200-1](#) [605601-1](#) [60598-1-CUT-TAPE](#) [61314-6-C](#) [61810-3](#) [61-S](#) [61-SN](#) [626-0194](#) [62-NBM-A](#) [62-SN](#) [62-SP](#) [63-S](#) [640179-1](#) [M55155/059I03](#) [M55155/079C01](#) [M55155/099H02](#) [M55155/109H01](#) [M55155/109H02](#) [M55155/12XH05](#) [M55155/16XH02](#)