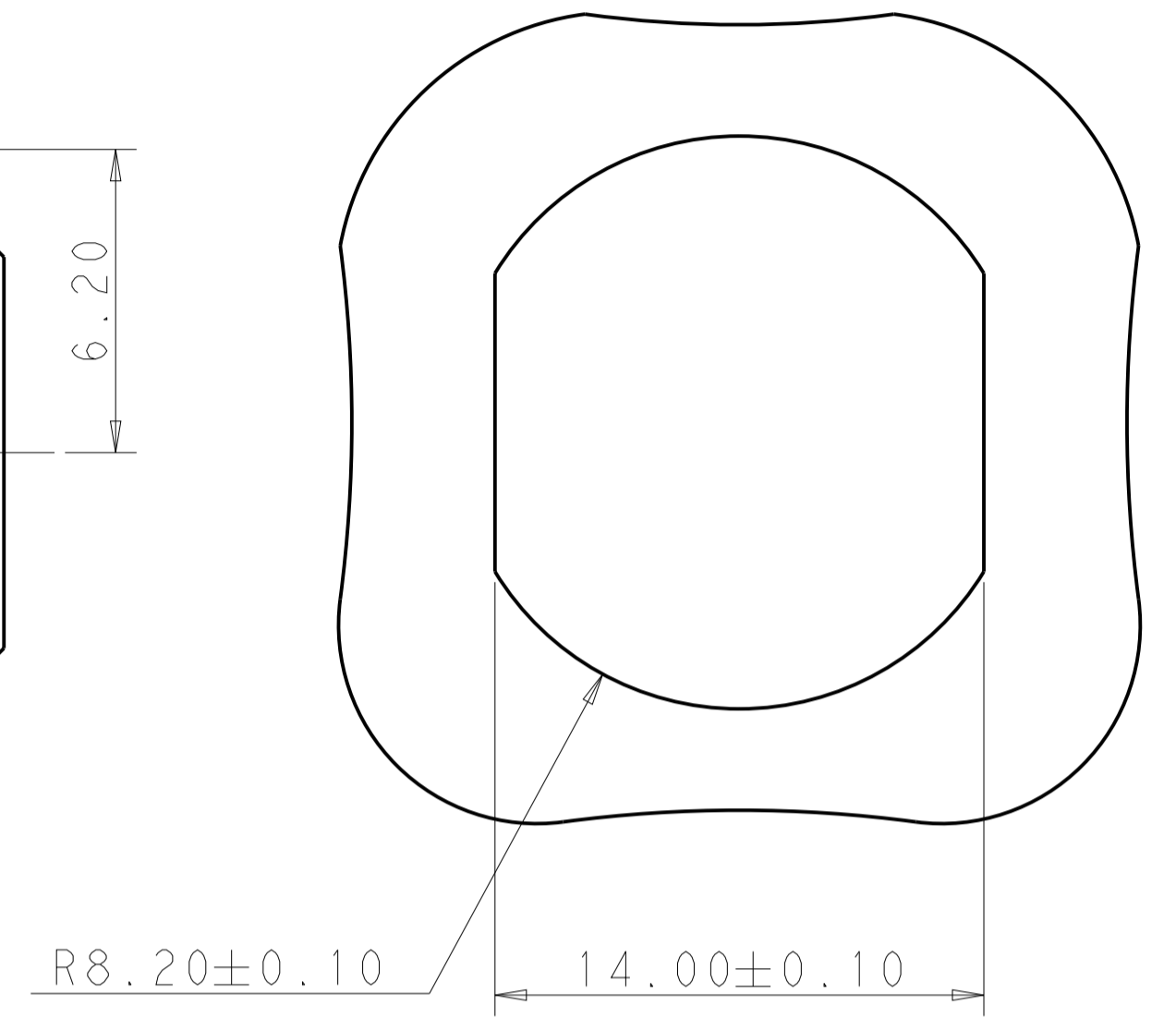
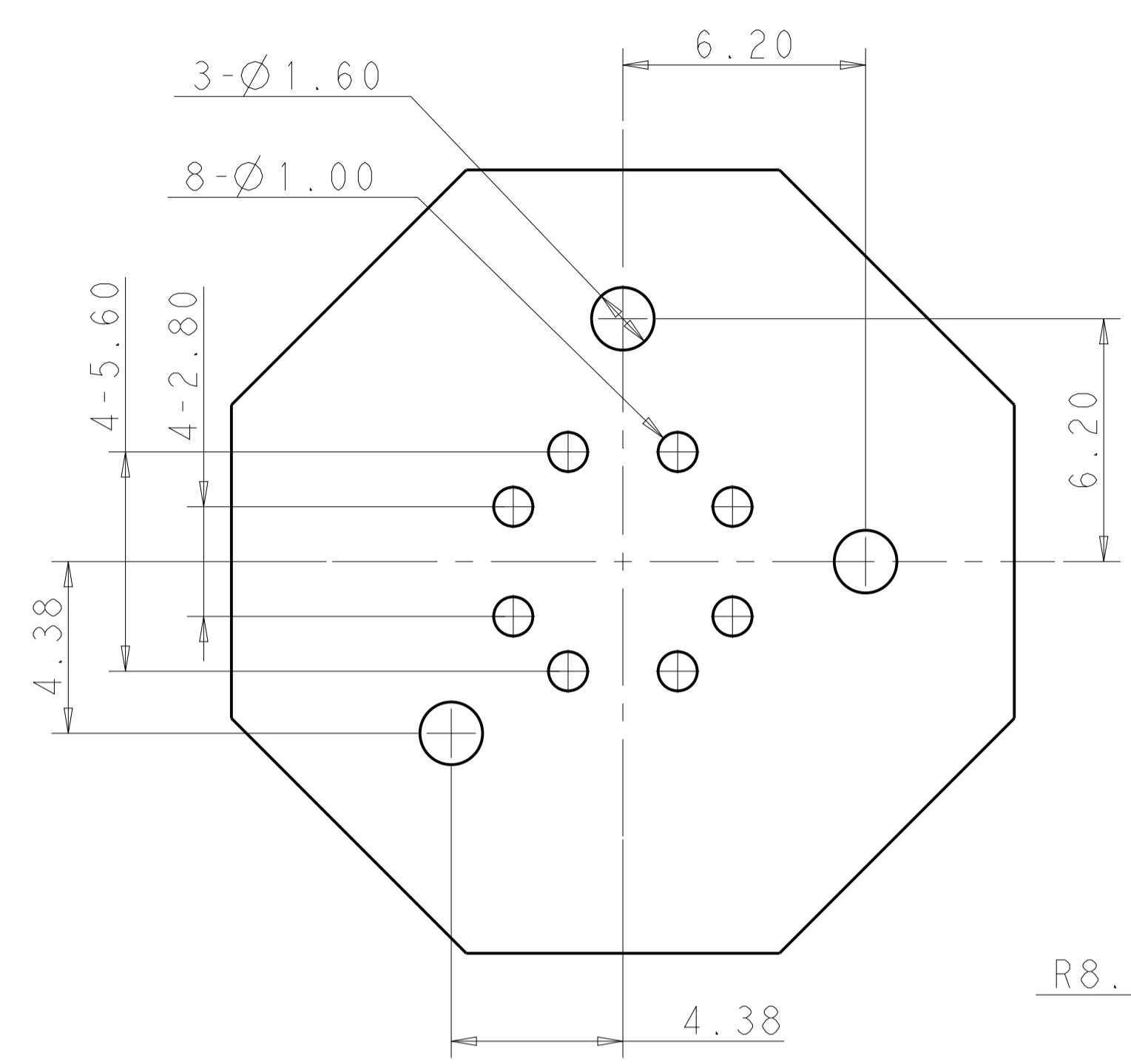
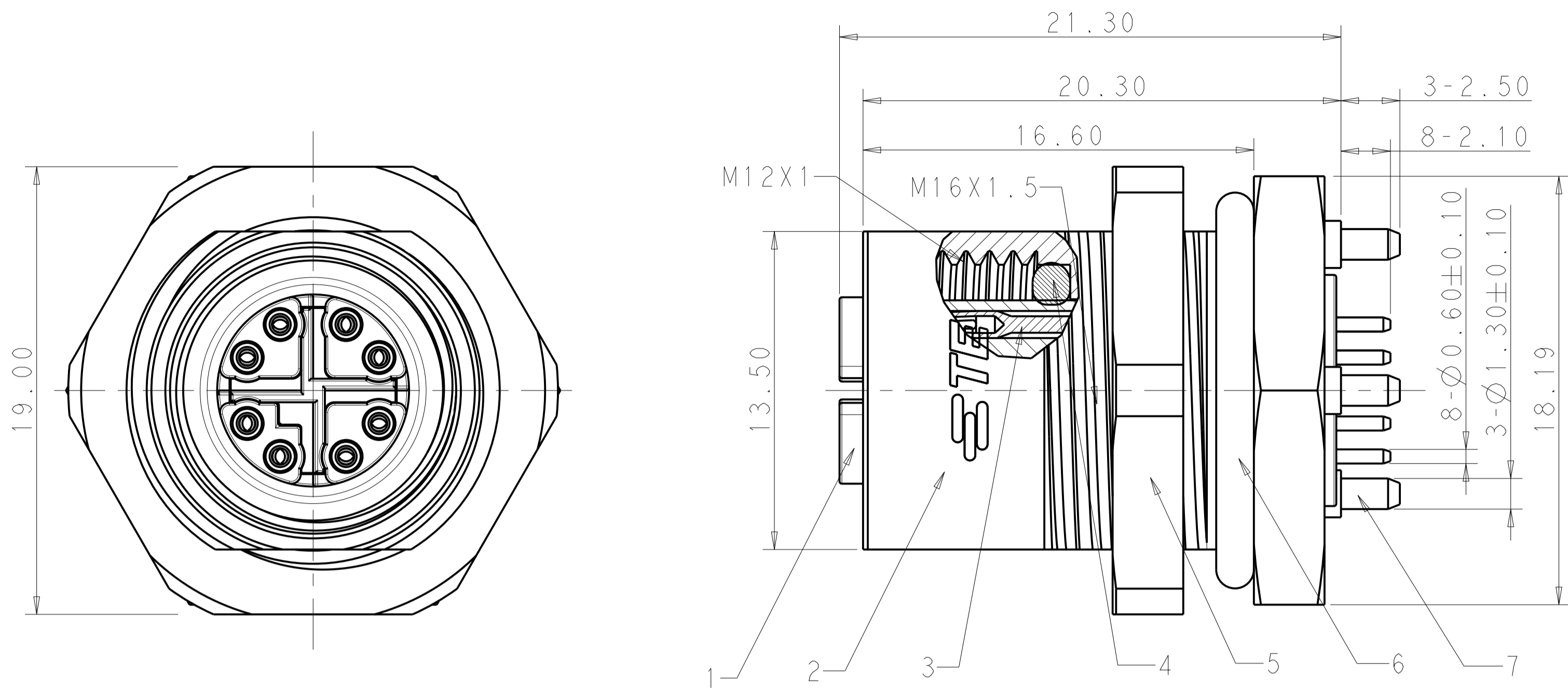


LOC	DIST	REV	DATE	BY	CHK	APPV
		A2	14-Jan-14	K. Z	X. X	
		A3	30 JUN 2014	H. W	X. X	
		A4	11 AUG 2020	S. C	C. W	
		B	21 MAY 2021	G. W	C. W	



SPCIFICATION:

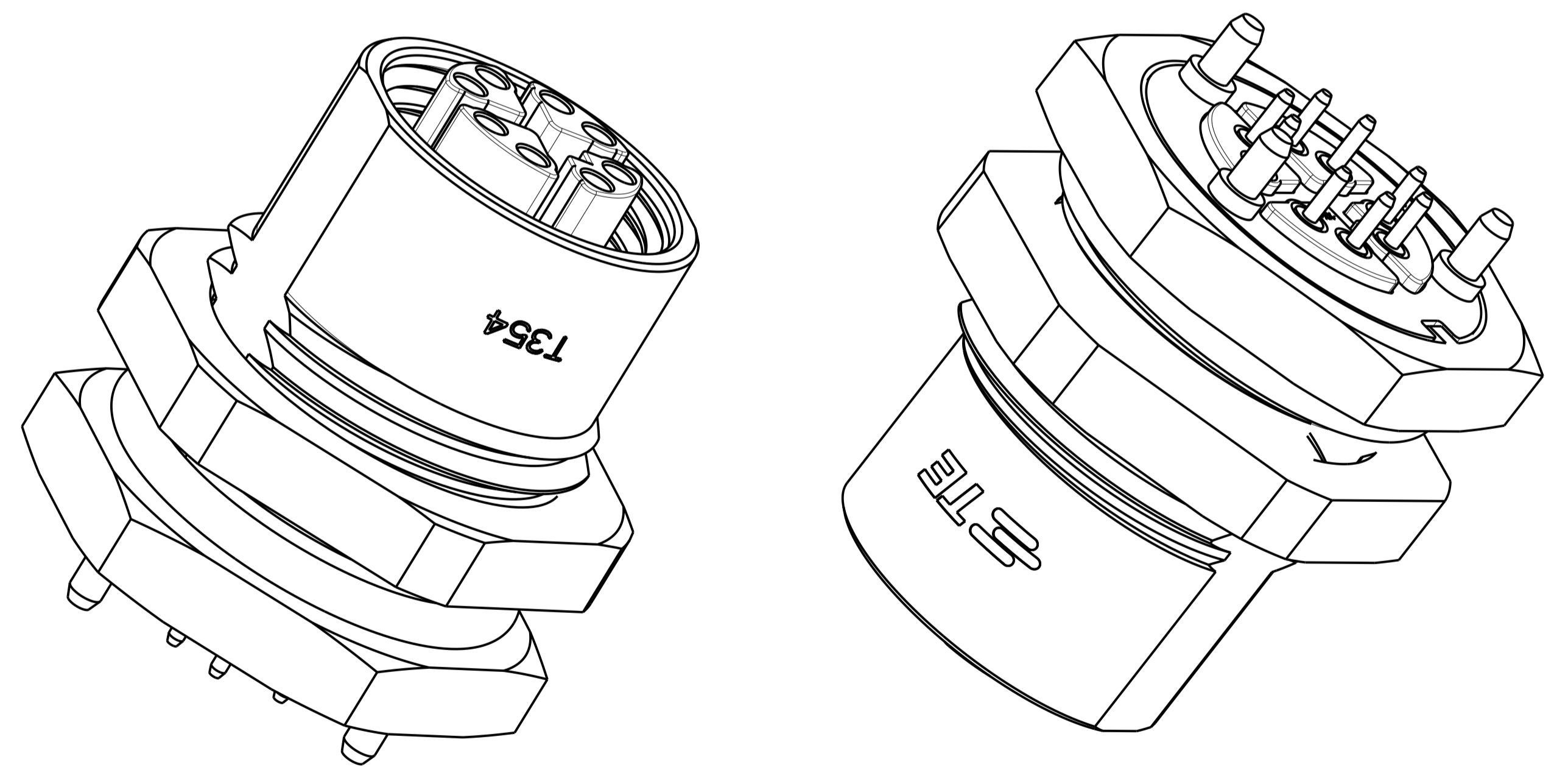
1. M12 CAT6 α 8P RECEPTACLE REAR MOUNT SHIELDED TYPE.
2. RATING VOLTAGE: 48V, RATING CURRENT: 0.5A.
3. CONTACT RESISTANT: 5 mOhm MAX.
4. INSULATION WITHSTAND: 100 MOhm MIN.
5. PROTECTION: IP67.
6. TEMPERATURE RANGE: -25°~+85°.
7. TRANSMISSION CHARACTERISTICS: CAT6 α .
8. RECOMMENDED PCB THICKNESS: 1.60±0.13MM
9. PACKAGE: 40PCS/TRAY, 10TRAYS/BOX(TOTAL 400PCS)
10. RECOMMENDED SOLDER PROCESS: WAVE SOLDER WITH 260°C PEAK TEMP.

规格:

1. M12 CAT6 α 8针 板后屏蔽型母座.
2. 额定电压: 48V, 额定电流: 0.5A
3. 接触阻抗: 5 mOhm MAX.,
4. 绝缘阻抗: 100MOhm MIN.
5. 保护等级: IP67
6. 温度范围: -25°~+85°.
7. 传输特性: CAT6 α
8. 推荐PCB厚度: 1.60±0.13MM
9. 包装规范: 40PCS/TRAY, 10TRAYS/箱(共400pcs产品)
10. 推荐焊接工艺: 波峰焊260°C峰值温度

RECOMMENDED PCB LAYOUT
DEFAULT TOLERANCE: ±0.05

RECOMMENDED PANEL HOLE SIZE
4.5mm MAX PANEL THICKNESS



ITEM	DESCRIPTION	MATERIAL	FINISH/COLOR
1	INSERT HOUSING	PA	BLACK
2	COUPLING SHEATH	ZINC ALUMINUM ALLOY	NICKEL OVER COPPER
3	SOCKET CONTACT	COPPER ALLOY	GOLD OVER NICKEL
4	SEALER RING	LSR	BLACK
5	HEXAGONAL	COPPER ALLOY	NICKEL OVERALL
6	SEALER RING	LSR	BLACK
7	CROSS SHIELDED	ZINC ALUMINUM ALLOY	NICKEL OVER COPPER

2232331-1
PART NO

THIS DRAWING IS A CONTROLLED DOCUMENT. DWG: Hobbay Zhao 21-05-21
CHK: Yiqiang Yu 21-05-21

DIMENSIONS: mm
TOLERANCES UNLESS OTHERWISE SPECIFIED:
0 PLC ±0.3
1 PLC ±0.3
2 PLC ±0.20
3 PLC ±0.20
4 PLC ±0.20
ANGLES ±0.5

MATERIAL: - FINISH: - WEIGHT: -

Customer Drawing

APVD: Yiqiang Yu 21-05-21
PRODUCT SPEC: 108-137008
APPLICATION SPEC: 114-137008

SIZE: A1
CAGE CODE: -
DRAWING NO: 00779
©=2232331

RESTRICTED TO: -

SCALE: 6:1 SHEET: 1 OF 1 REV: B

TE Connectivity
REAR PANEL MOUNT PCB CONNECTOR
M12 X-CODE

X-ON Electronics

Largest Supplier of Electrical and Electronic Components

Click to view similar products for [Circular Metric Connectors](#) category:

Click to view products by [TE Connectivity](#) manufacturer:

Other Similar products are found below :

[600X518037X](#) [6STD15PCR99B70A](#) [8R4000A16M020](#) [8R5000A16M005](#) [1200910002](#) [1203580030](#) [1200910008](#) [1200910011](#) [1300140094](#)
[130203-0054](#) [1300140026](#) [1300150099](#) [RF-12S1N8A90DU](#) [1-3637-600-5205](#) [1612618](#) [21036836414](#) [8R4006A16M010](#) [8R5006A18A120](#)
[1604232](#) [1R3006A20M005](#) [RF-12P1N8A80DU](#) [RF-12P1N8A90DU](#) [41-40011](#) [42-01015](#) [4-22279-4](#) [4-22281-1](#) [4-22284-9](#) [43-00113](#) [43-](#)
[01088](#) [43-01203](#) [41-40013](#) [42-00008](#) [43-00343](#) [43-01032](#) [43-01162](#) [43-10000](#) [600X518050X](#) [SACC-DSI-FS-5P-PG9-L180 SC](#)
[8R5006A16M020](#) [8R5006A16M005](#) [8R4000A16M010](#) [6-22279-3](#) [1605332](#) [N03FA03144](#) [1300140077](#) [43-01338](#) [XS2RD4265](#) [XS2R-](#)
[D426-1](#) [XS8A-0441](#) [859RD04-103R004](#)