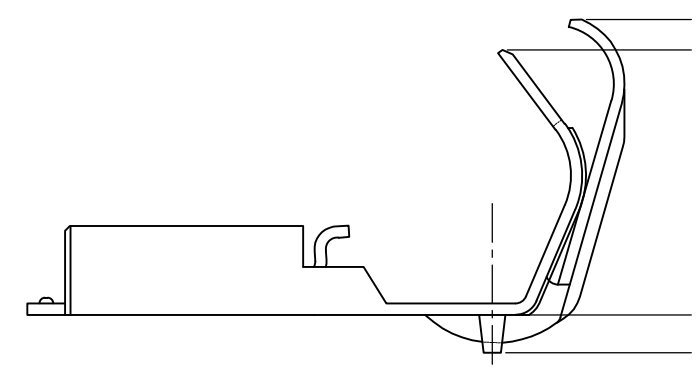
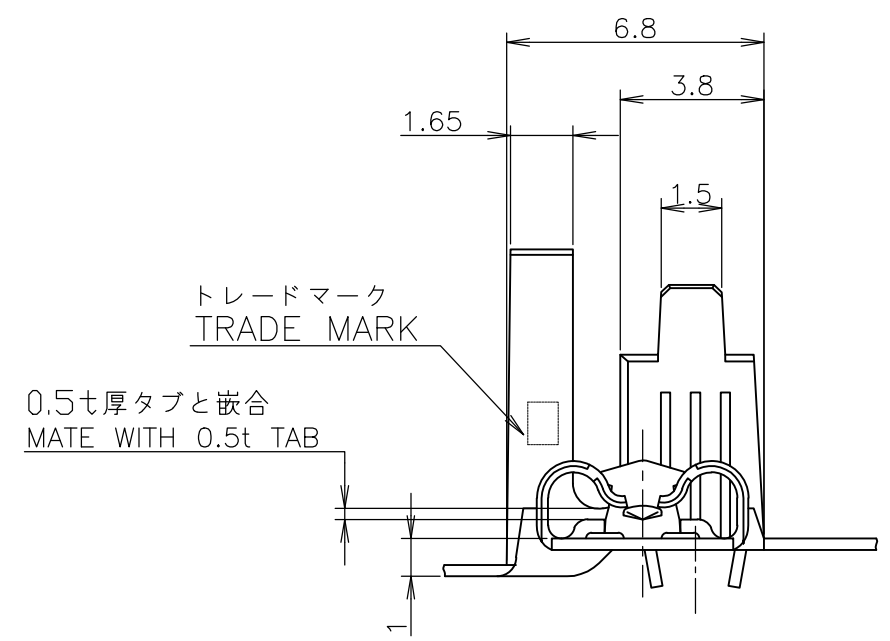
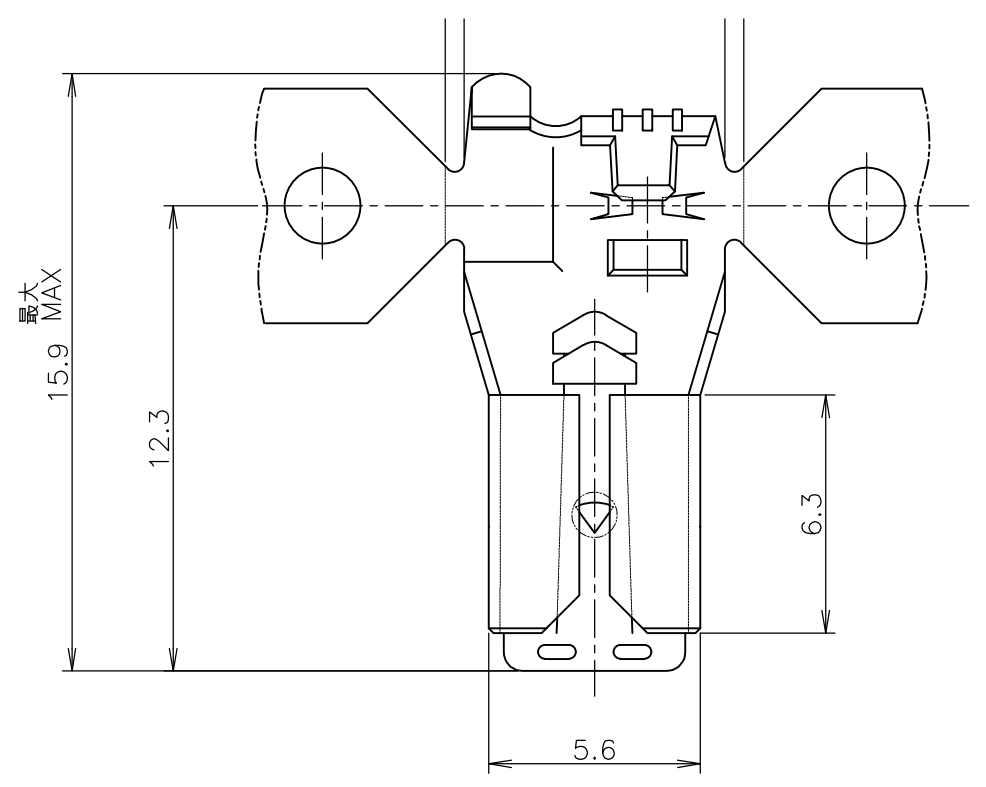


THIS DRAWING IS UNPUBLISHED. RELEASED FOR PUBLICATION MAR , 2013.  
 © COPYRIGHT 2013 By - ALL RIGHTS RESERVED.

LOC		DIST		REVISIONS 変更			
P	LTR	DESCRIPTION		DATE	DWN	APVD	
	A1	REVISED PER ECR-19-018072		02DEC2019	SS	TD	

-1; AS SHOWN



- 1 APPLICABLE SLEEVE P/N: 1717269, 178708
- △ OBSOLETE PART
- 1 適用スリーブ型番: 1717269, 178708

PRE TINNED PHOSPHOR BRONZE 0.3t 錫めっき済み燐青銅 0.3t	2232342-2
PRE TINNED BRASS 0.3t 錫めっき済み黄銅 0.3t	2232342-1
MATERIAL 材質	P/N 型番
WIRE RANGE 抱合電線断面積	AWG #22-#16 0.3~1.42 mm <sup>2</sup>
INSULATION DIA 被覆外径	1.5~4.32 mm $\phi$



NAME 名称		187 SERIES FLAG POSITIVE LOCK-EX REC. 187 シリーズ・旗型・ポジティブロック EX リセブタクル	
SIZE	CAGE CODE	DRAWING NO 番号	RESTRICTED TO
A3	00779	C-2232342	-
CUSTOMER DRAWING		SCALE 尺度	SHEET 1 OF 1
		5:1	REV A1

THIS DRAWING IS A CONTROLLED DOCUMENT.		DWN B.P	06MAR2013
DIMENSIONS: 単位: 耗 mm		CHK F.M	06MAR2013
TOLERANCES UNLESS OTHERWISE SPECIFIED: 一般公差		APVD YH.M	06MAR2013
0 PLC ±		PRODUCT SPEC 製品規格	108-5250
1 PLC ±		APPLICATION SPEC 取付適用規格	114-5118
2 PLC ±		WEIGHT	
3 PLC ±			
4 PLC ±			
ANGLES ±			
FINISH 仕上			
MATERIAL 表参照 材料 SEE TABLE			

GENERAL TOLERANCE 一般公差
10 ≥ : ±0.2
30 ≥ > 10: ±0.25
100 ≥ > 30: ±0.3
ANGLES: ±3°

## X-ON Electronics

Largest Supplier of Electrical and Electronic Components

*Click to view similar products for [Automotive Connectors](#) category:*

*Click to view products by [TE Connectivity](#) manufacturer:*

Other Similar products are found below :

[003-018-000](#) [600858](#) [60403001](#) [60993906-B](#) [60993913-B](#) [629515004020001](#) [M83723/71R1808N L/C](#) [M902-2131](#) [M902-2161](#) [M902-2344](#)  
[72.330.1035.1](#) [73.353.4028.0](#) [F118010](#) [F119300-B](#) [F132210](#) [F166900](#) [F180100](#) [F258300](#) [F258300-B](#) [F294300-B](#) [F339100](#) [F339700](#)  
[F358300-B](#) [F374110](#) [F407400](#) [F412210](#) [F444110](#) [F487000](#) [F495100](#) [F500900-B](#) [F509500B-B](#) [770444-1](#) [827153-1](#) [881735-1](#)  
[8N1515-32-24P](#) [9-1326729-8](#) [925467-1](#) [925474-1](#) [928905-1](#) [936398-2](#) [964562-4](#) [964731-2](#) [968782-1](#) [GT17SA-8DS-HU](#) [GT17VS-10DP-](#)  
[5.2CF](#) [98315-0001](#) [98315-0010](#) [98891-1012](#) [98895-2014](#) [98936-1039](#)