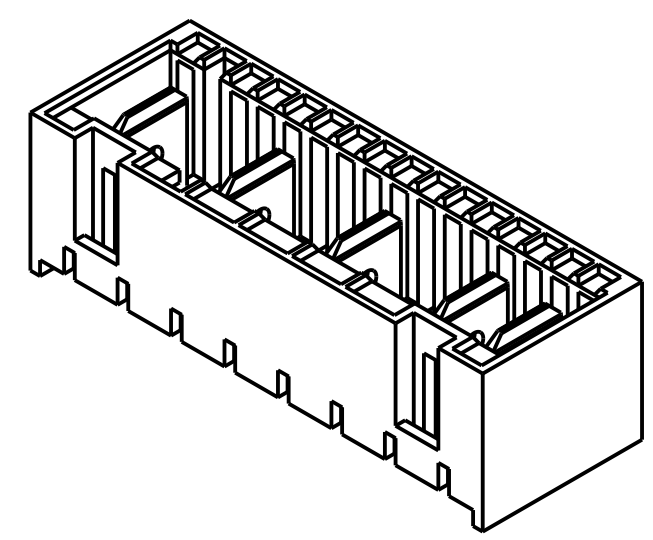
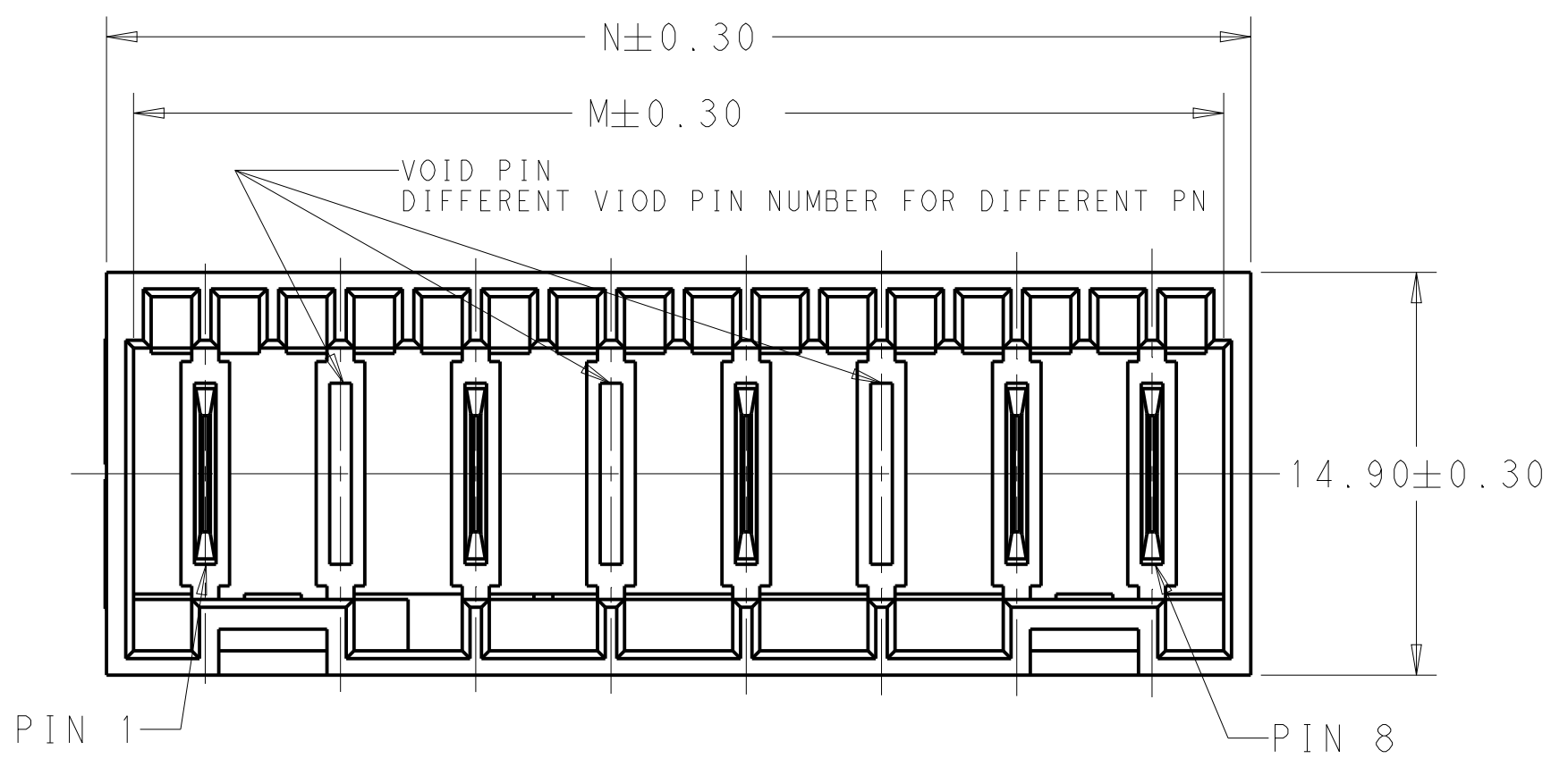
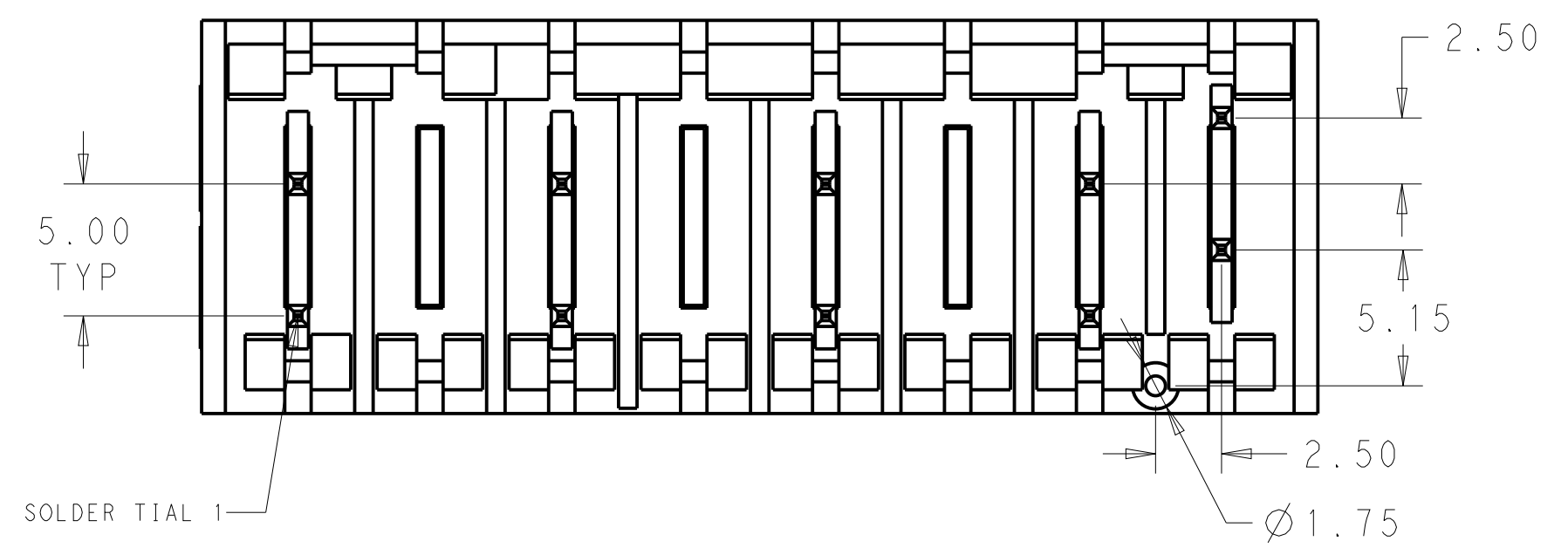
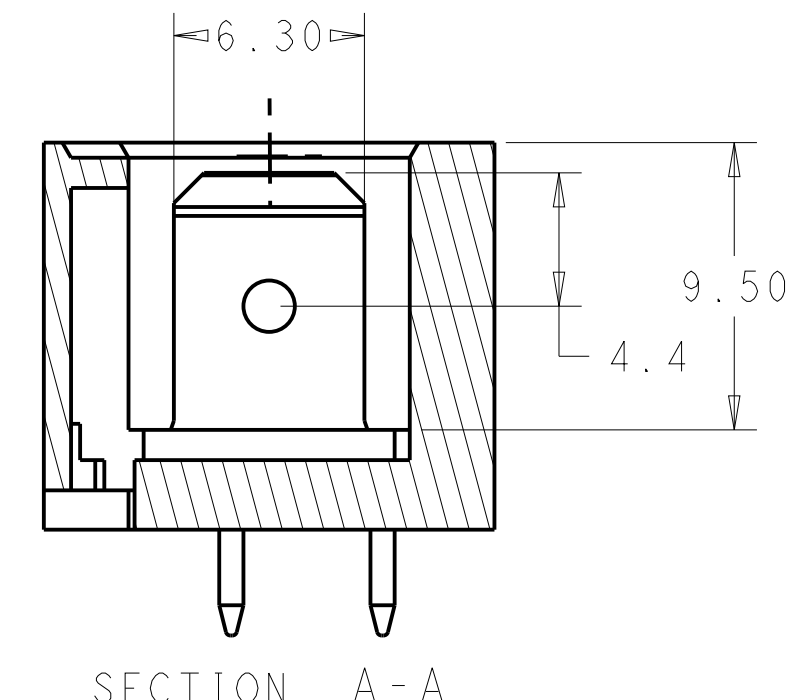
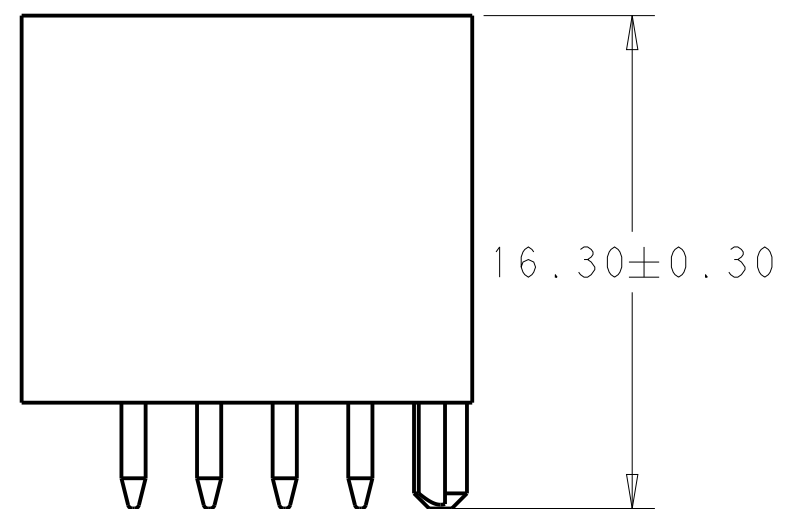
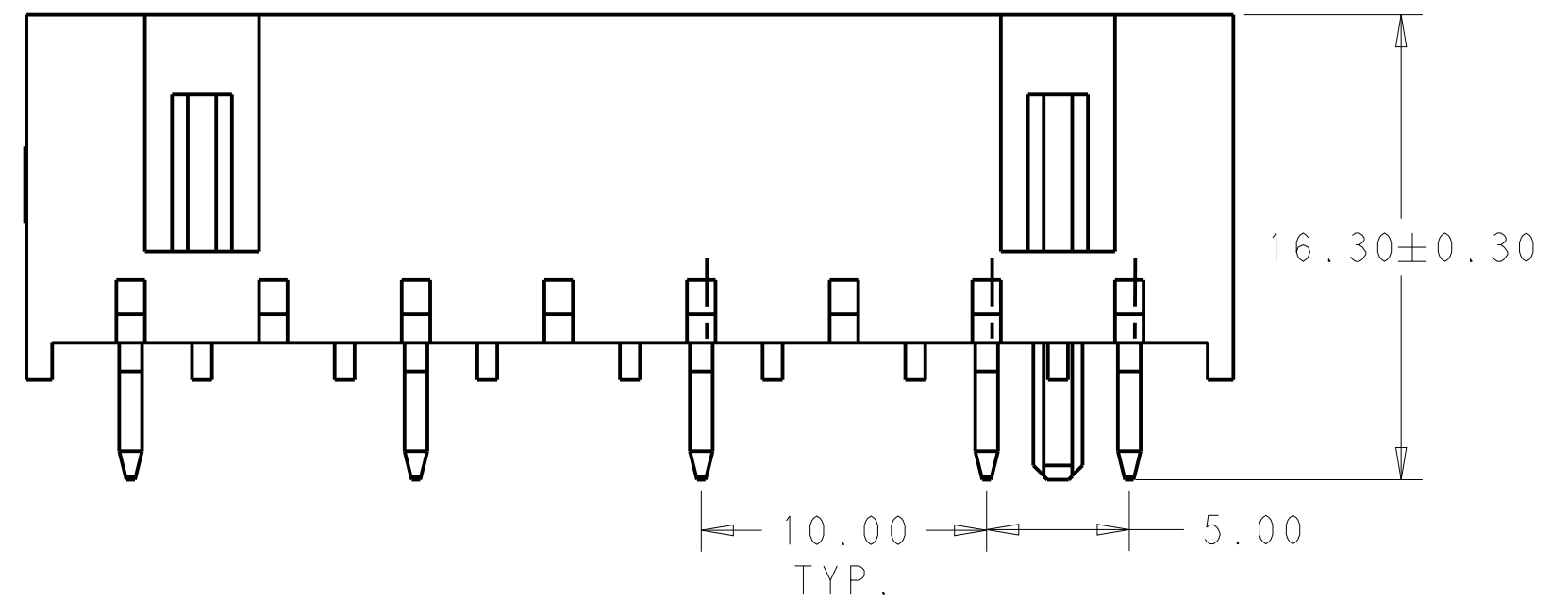


THIS DRAWING IS UNPUBLISHED. RELEASED FOR PUBLICATION 20
 © COPYRIGHT 20 BY - ALL RIGHT REVERSED ALL RIGHTS RESERVED.

LOC		DIST		REVISIONS			
P	LTR	DESCRIPTION	DATE	DWN	APVD		
A19	ECR-20-100925		25NOV2020	LZ	FL		
A20	ECR-20-101145		23DEC2020	LZ	FL		
B	ECR-21-100869		31MAR2021	PJ	FL		
B1	ECR-21-103797		25MAY2021	KD	FL		



- HOUSING HAS RAST 5 COMPLIANT KEYING LATCHING, AND POLARIZATION, TAB IS 6.30 x 0.8mm ACCORDING TO DIN 46224;
 - MATERIAL: HOUSING NYLON, UL94 V0, 750 °C GWT NO FLAME;
 - FINISH: CONTACTS, TIN PLATING OVERALL , NICKEL UNDER-PLATING;
 - PACKING: LOOSE PIECE OR TUBE. THE PART NUMBER IN THIS DRAWING ARE WITH LOOSE PIECE PACKING. PLEASE CONTACT TE SALES REPRESENTATIVES FOR TUBE PACKING REQUIREMENT.
- 5 PRELIMINARY, NOT FOR PRODUCTION.
 - 6 MATERIAL: HOUSING PA66,UL94 V0 PRODUCT COMPLY WITH GLOW WIRE REQUIREMENTS FOR PARTS OF NON-METALLIC MATERIAL SUPPORTING A CURRENT-CARRYING CONNECTION DETAILED IN IEC 60335-1, SECTION 30 (GWT).
 - 7 FINISH:CONTACT, SILVER PLATING OVERALL, NICKEL UNDER-PLATING.
 - 8 SPECIAL VERSION: SHORT PEG DESIGN, DETAIL IN SHEET 3
 - 9 PART NUMBER WITH TUBE PACKAGING.



42.30	40.30	8
37.30	35.30	7
32.30	30.30	6
27.30	25.30	5
22.30	20.30	4
17.30	15.30	3
12.30	10.30	2
N	M	NO.OF POS.

THIS DRAWING IS A CONTROLLED DOCUMENT.

DWN	B.P	APR162013
CHK	F.M	APR162013
APVD	-	APR162013
PRODUCT SPEC	108-106080	
APPLICATION SPEC	-	
WEIGHT	-	
CUSTOMER DRAWING	SCALE 4:1	SHEET 1 OF 4

TE Connectivity

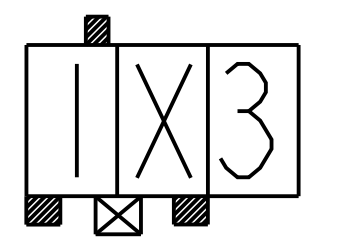
NAME RAST 5 TAB HEADER ASSY
DIN STYLE, TH, VERTICAL

SIZE A2 CAGE CODE 00779 DRAWING NO C-2232511 RESTRICTED TO

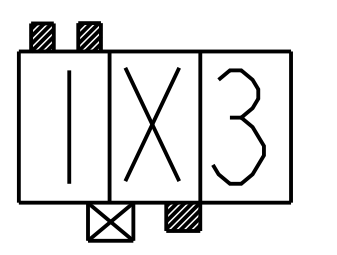
REV B1

THIS DRAWING IS UNPUBLISHED. RELEASED FOR PUBLICATION 20
 © COPYRIGHT 20 BY - ALL RIGHT REVERSED. ALL RIGHTS RESERVED.

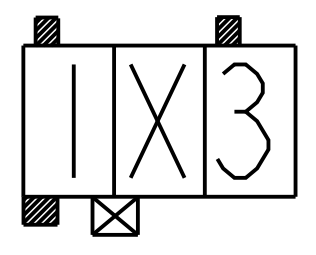
LOC		DIST		REVISIONS			
P	LTR	DESCRIPTION	DATE	DWN	APVD		
-	-	SEE SHEET 1	-	-	-		



3-2232511-3 $\Delta_5 \Delta_7$

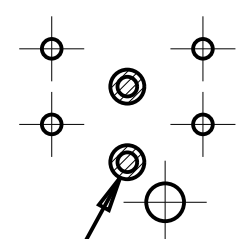


2-2232511-3 Δ_5

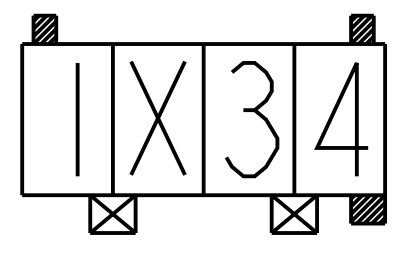


2232511-3
 1-2232511-3 Δ_6
 2328608-3 Δ_8

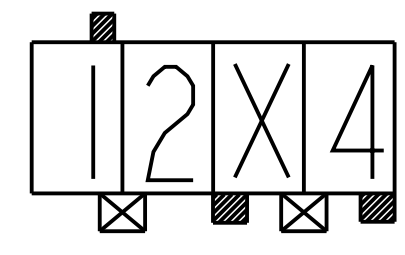
3 POS.



VOID PIN

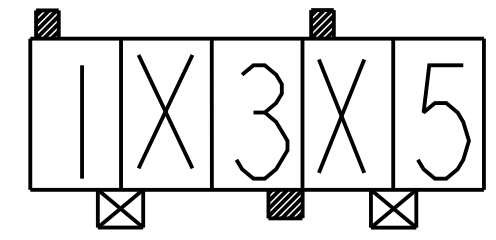
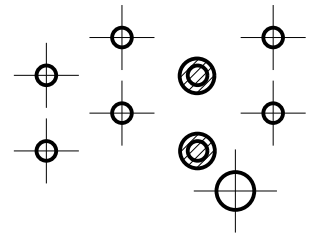
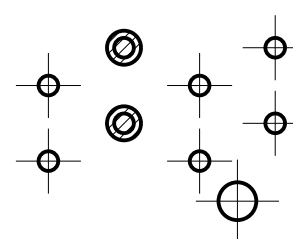


2232511-4

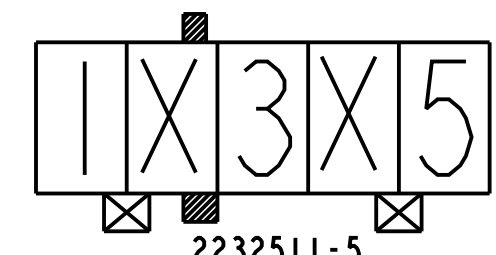


1-2232511-4

4 POS.

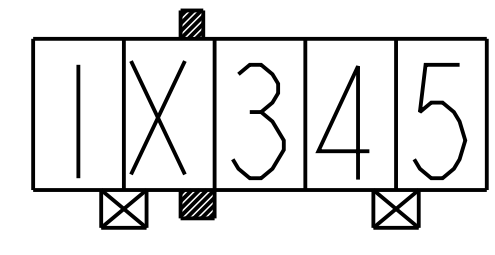
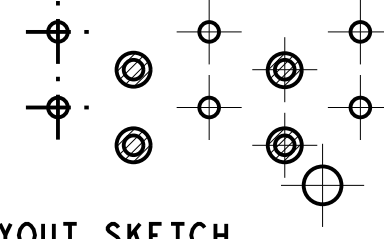


4-2232511-5 $\Delta_5 \Delta_9$



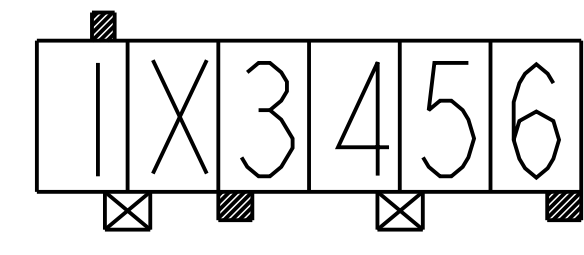
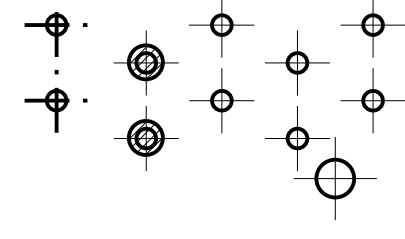
2232511-5
 1-2232511-5 Δ_6
 2328608-5 Δ_8

PCB LAYOUT SKETCH
 SOLDER SIDE



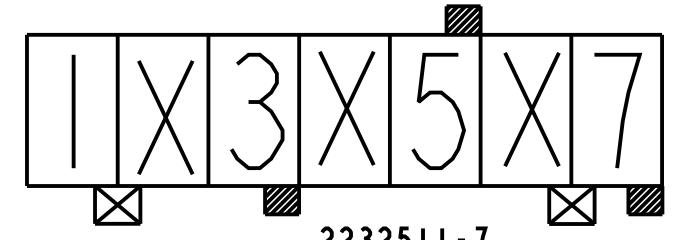
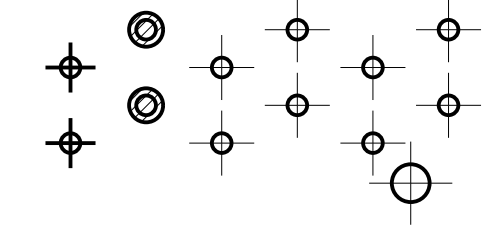
2-2232511-5 Δ_5

5 POS.

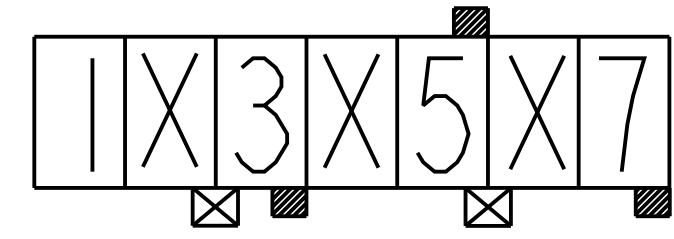


2232511-6

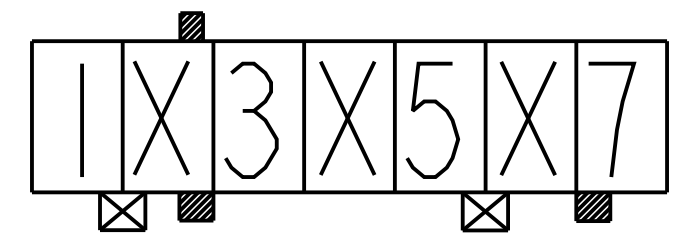
6 POS.



2232511-7
 1-2232511-7 Δ_6
 2328608-7 Δ_8

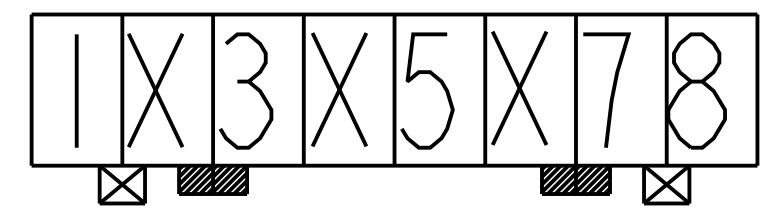
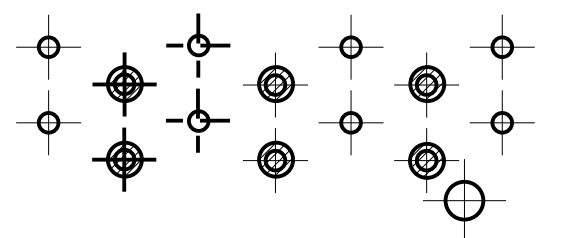


2-2232511-7 Δ_6
 1-2328608-7 Δ_8



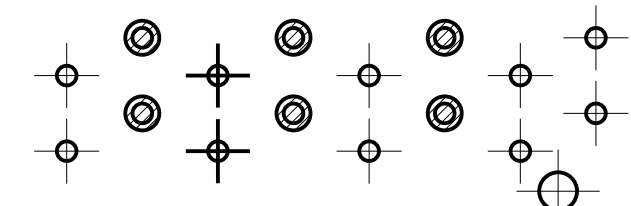
3-2232511-7

7 POS.



2232511-8

8 POS.

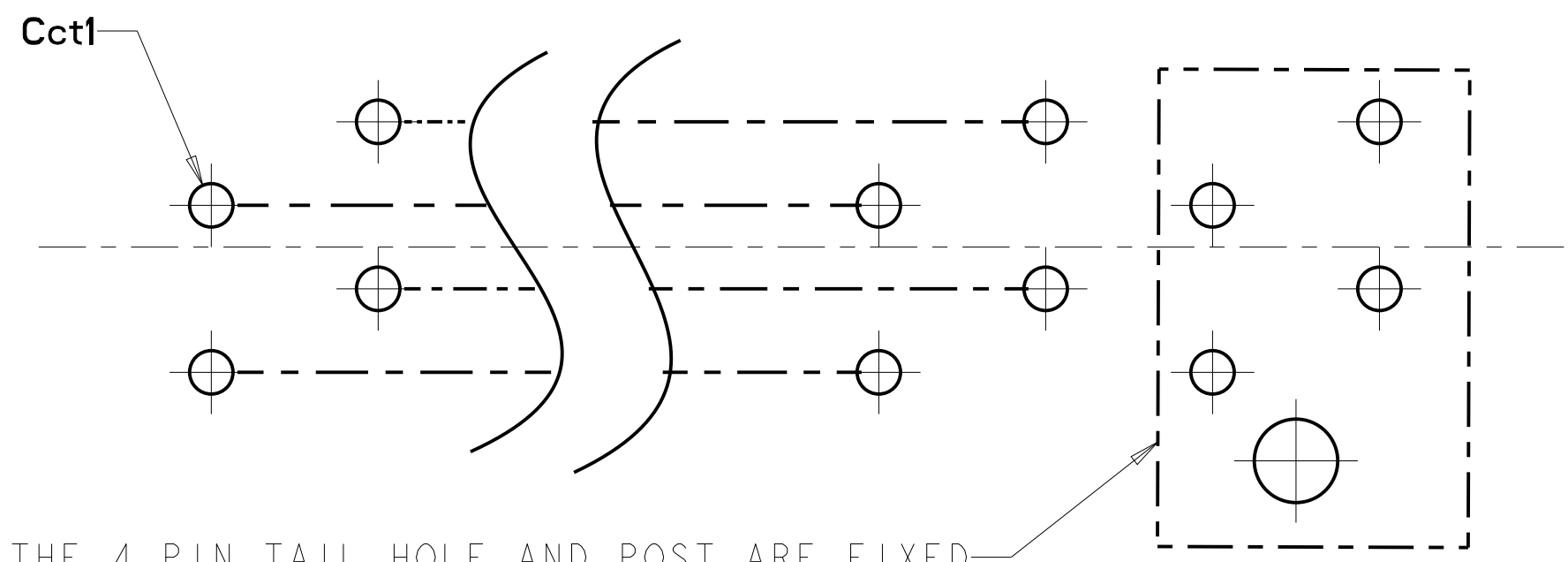


PCB LAYOUT SKETCH
 SOLDER SIDE

THIS DRAWING IS A CONTROLLED DOCUMENT.		DWN B.P.	APR162013	TE Connectivity	
DIMENSIONS: mm		CHK	24SEP2013		
TOLERANCES UNLESS OTHERWISE SPECIFIED:		APVD	24SEP2013	NAME RAST 5 TAB HEADER ASSY DIN STYLE, TH, VERTICAL	
0 PLC ±		PRODUCT SPEC		SIZE	
1 PLC ±0.5		108-106080		CAGE CODE	
2 PLC ±0.13		APPLICATION SPEC		DRAWING NO	
3 PLC ±0.013		WEIGHT		RESTRICTED TO	
4 PLC ±0.0001		CUSTOMER DRAWING		A200779 C-2232511	
ANGLES ±		SCALE 4:1		SHEET 2 OF 4	
FINISH		REV B1			

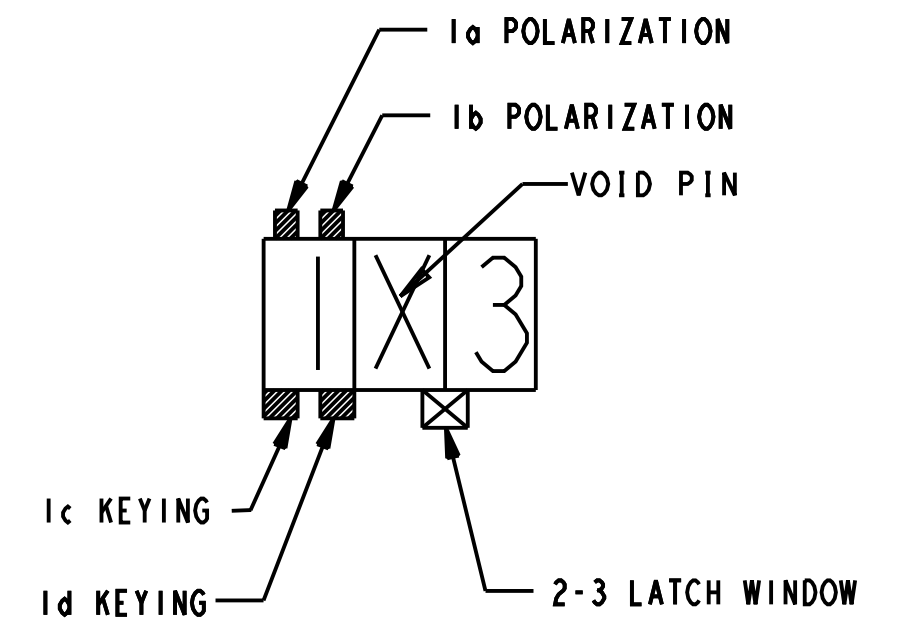
THIS DRAWING IS UNPUBLISHED. RELEASED FOR PUBLICATION 20
 © COPYRIGHT 20 BY - ALL RIGHT REVERSED ALL RIGHTS RESERVED.

LOC		DIST		REVISIONS			
P	LTR	DESCRIPTION	DATE	DWN	APVD		
-	-	SEE SHEET 1	-	-	-		



CENTERLINE

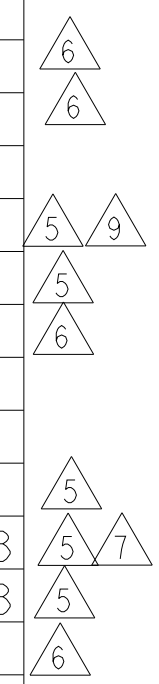
THE POSITION OF THE 4 PIN TAIL HOLE AND POST ARE FIXED



PICTORIAL VIEW KEY

RECOMMEND PCB LAYOUT - SOLDER SIDE
 PCB 1.5± 0.2 THICK

COLOR	NO. OF POS.	PART NUMBER
	8	2232511-8
	7	3-2232511-7
	7	2-2232511-7
	7	1-2232511-7
	7	2232511-7
	6	2232511-6
	5	4-2232511-5
	5	2-2232511-5
	5	1-2232511-5
	5	2232511-5
	4	1-2232511-4
	4	2232511-4
	3	3-2232511-3
	3	2-2232511-3
	3	1-2232511-3
	3	2232511-3

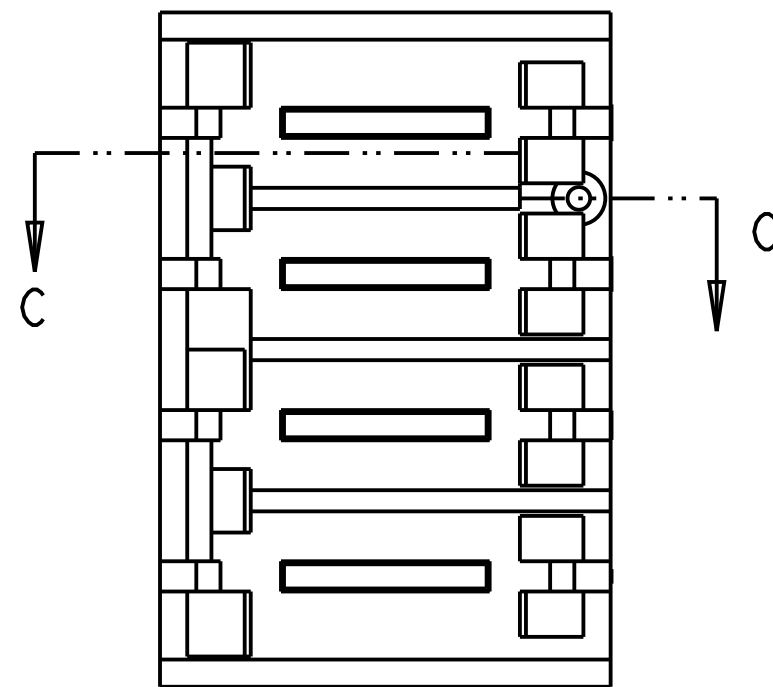
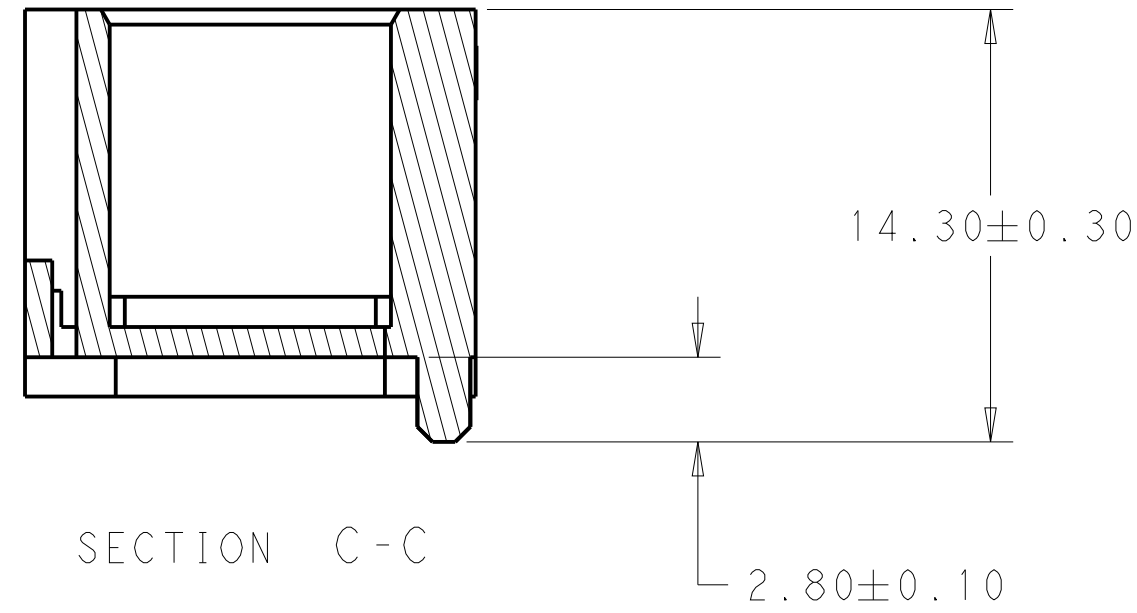


THIS DRAWING IS A CONTROLLED DOCUMENT.		DWN B.P APR162013	STE TE Connectivity	
		CHK - 24SEP2013		
		APVD - 24SEP2013	NAME RAST 5 TAB HEADER ASSY DIN STYLE, TH, VERTICAL	
DIMENSIONS: mm		PRODUCT SPEC 108-106080	SIZE CAGE CODE DRAWING NO RESTRICTED TO	
TOLERANCES UNLESS OTHERWISE SPECIFIED:		APPLICATION SPEC -	A200779 C-2232511	
MATERIAL -		WEIGHT -	SCALE 4:1 SHEET 3 OF 4 REV B1	
		CUSTOMER DRAWING		

THIS DRAWING IS UNPUBLISHED. RELEASED FOR PUBLICATION 20
 © COPYRIGHT 20 BY - ALL RIGHT REVERSED ALL RIGHTS RESERVED.

LOC		DIST		REVISIONS			
P	LTR	DESCRIPTION	DATE	DWN	APVD		
-	-	SEE SHEET 1	-	-	-		

△ SPECIAL VERSION: SHORT PEG DESIGN



OTHER DIMENSIONS SEE SHEET 1
 KEYING SEE SHEET 2

NATURE	7	1-2328608-7
	7	2328608-7
	5	2328608-5
	3	2328608-3
COLOR	NO. OF POS.	△ PART NUMBER

THIS DRAWING IS A CONTROLLED DOCUMENT.		DWN B.P.	APR162013	 TE Connectivity
DIMENSIONS: mm		CHK F.M.	APR162013	
TOLERANCES UNLESS OTHERWISE SPECIFIED:		APVD -	APR162013	
0 PLC ± 1 PLC ±0.5 2 PLC ±0.25 3 PLC ±0.013 4 PLC ±0.0001 ANGLES ± FINISH		PRODUCT SPEC 108-106080	APPLICATION SPEC -	
MATERIAL	-	WEIGHT	-	NAME RAST 5 TAB HEADER ASSY DIN STYLE, TH, VERTICAL SIZE CAGE CODE DRAWING NO RESTRICTED TO A200779 C-2232511
CUSTOMER DRAWING		SCALE 4:1		SHEET 4 OF 4 REV B1

X-ON Electronics

Largest Supplier of Electrical and Electronic Components

Click to view similar products for [Headers & Wire Housings](#) category:

Click to view products by [TE Connectivity](#) manufacturer:

Other Similar products are found below :

[892-18-020-10-001101](#) [58102-G61-06LF](#) [582553-1](#) [0009485154](#) [009176003701906](#) [0050291907](#) [LY20-4P-DT1-P1E-BR](#) [02.125.8002.8](#)
[609-3404](#) [61062-3](#) [61082-181009](#) [622-3653LF](#) [63453-116](#) [636-1030](#) [636-1427](#) [636-3427](#) [636-4007](#) [641938-9](#) [641991-4](#) [644827-2](#) [65817-](#)
[010LF](#) [65817-015LF](#) [65863-015LF](#) [66207-023LF](#) [67095-007LF](#) [67601157](#) [68645-018](#) [68648-049](#) [70.362.1628.0](#) [70-4210](#) [70-4226B](#) [70-](#)
[4853B](#) [707-5020](#) [707-5028](#) [71.350.2428.0](#) [71918-208LF](#) [71961-016LF](#) [733-134](#) [733-162](#) [754199-000](#) [760-3052](#) [787-8014-00](#) [79531-3000](#)
[FCN-360C032-B](#) [FCN-367T-T012/H](#) [FCN-723D010/2](#) [80.063.4001.1](#) [800-90-001-10-001000](#) [800-90-010-10-002000](#) [801-43-002-10-013000](#)