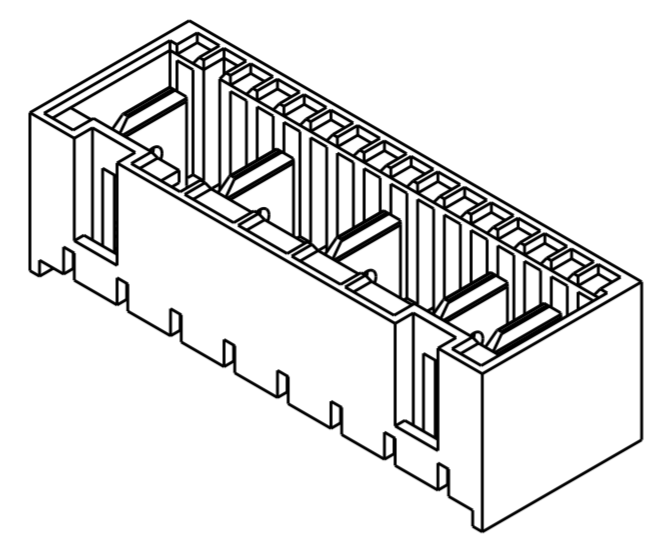
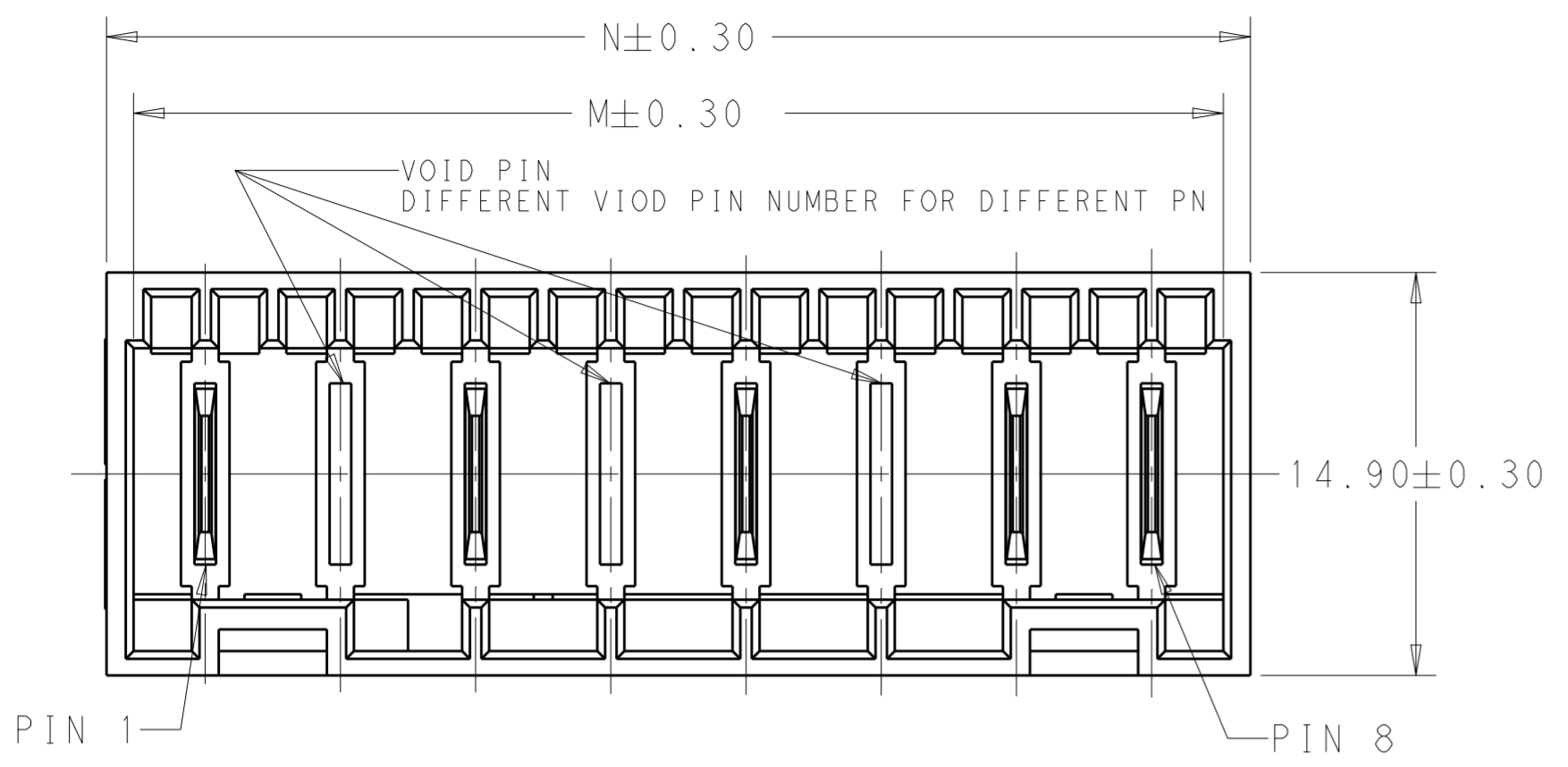
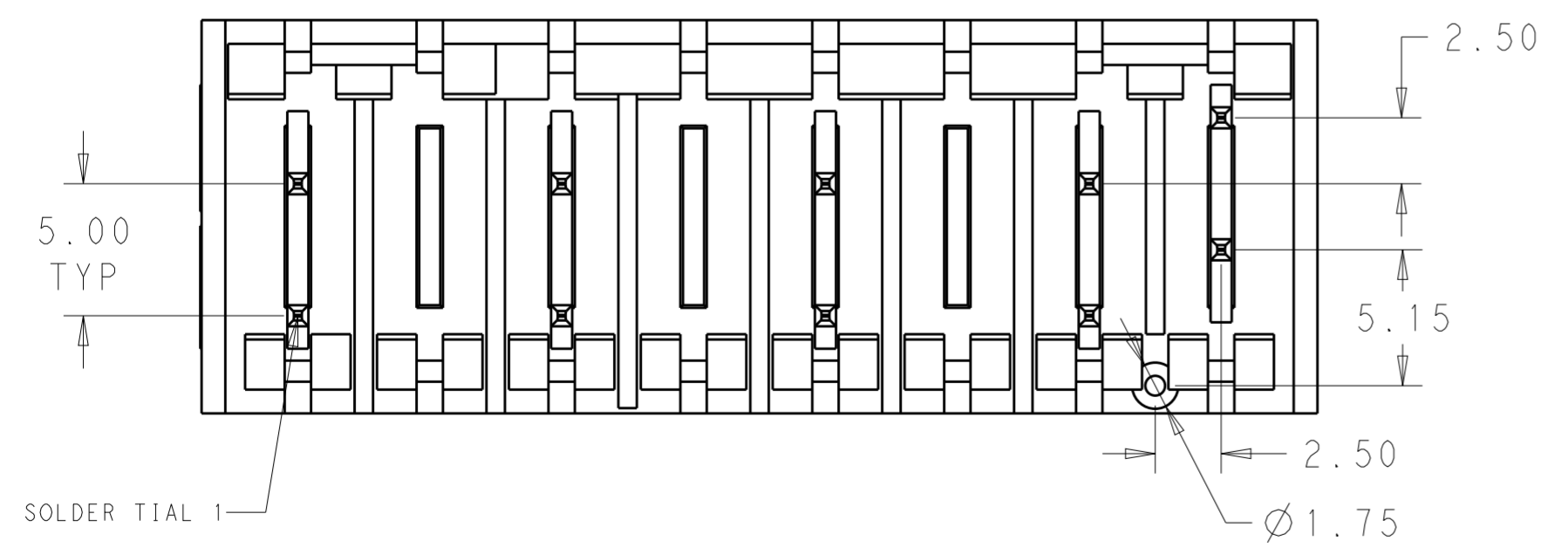
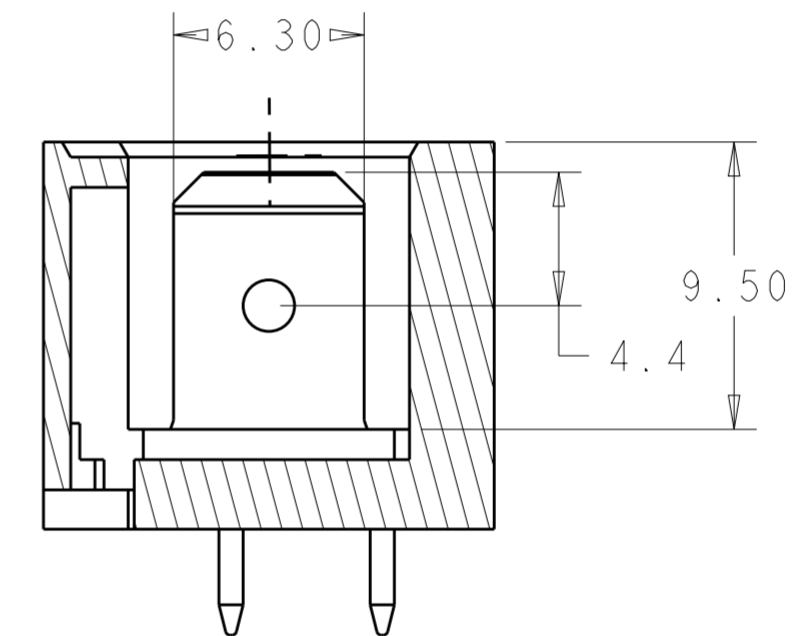
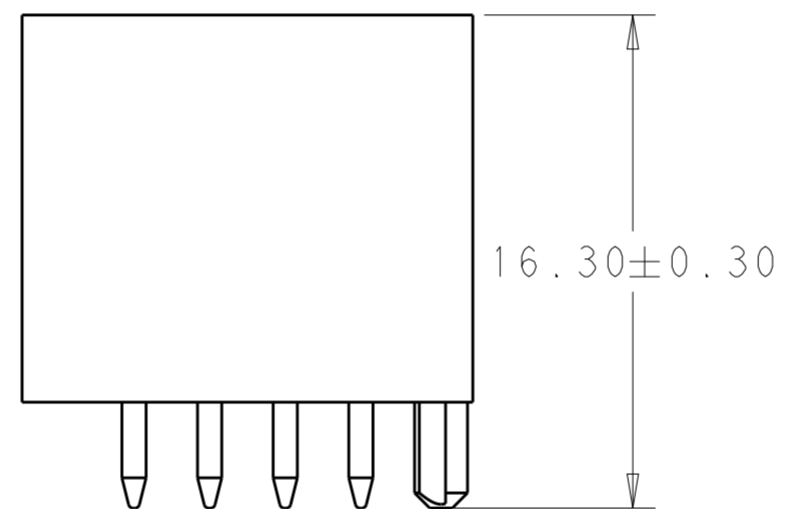
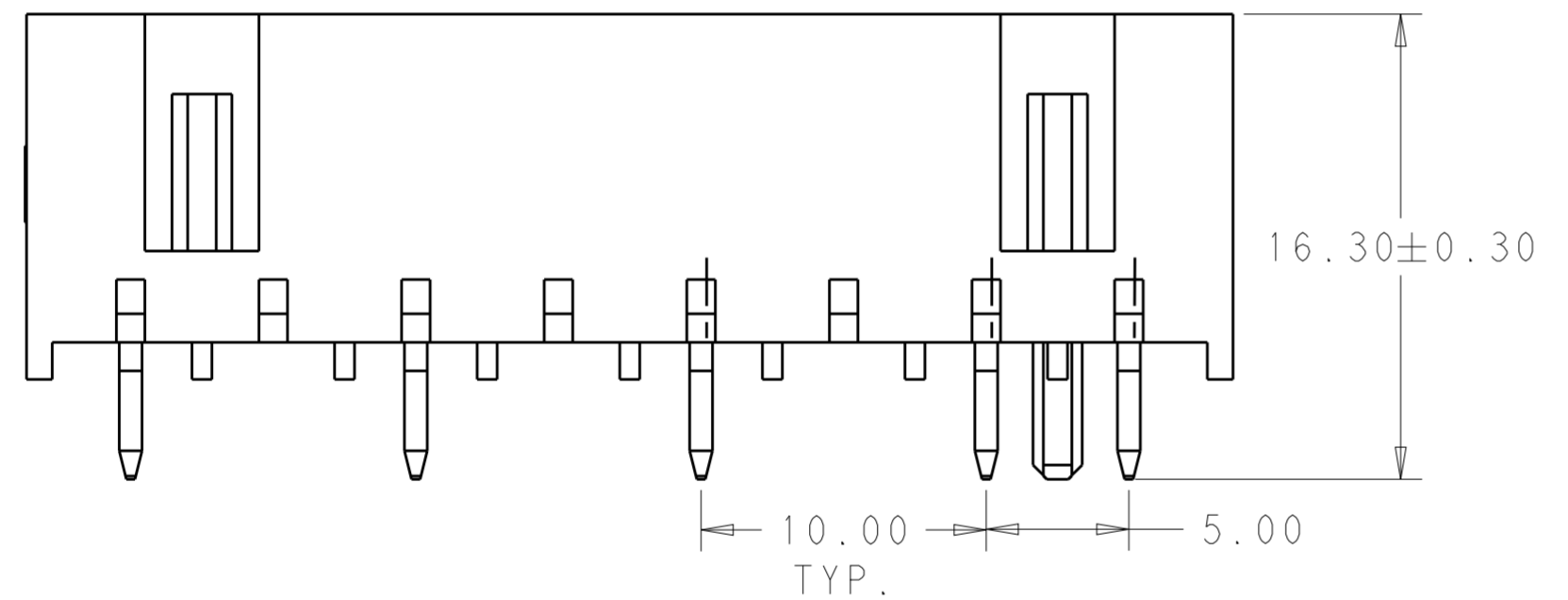


THIS DRAWING IS UNPUBLISHED. RELEASED FOR PUBLICATION 20
 © COPYRIGHT 20 BY - ALL RIGHT REVERSED ALL RIGHTS RESERVED.

LOC		DIST		REVISIONS			
P	LTR	DESCRIPTION	DATE	DWN	APVD		
A19	ECR-20-100925		25NOV2020	LZ	FL		
A20	ECR-20-101145		23DEC2020	LZ	FL		



- HOUSING HAS RAST 5 COMPLIANT KEYING LATCHING, AND POLARIZATION, TAB IS 6.30 x 0.8mm ACCORDING TO DIN 46224;
 - MATERIAL: HOUSING NYLON, UL94 V0, 750 °C GWT NO FLAME;
 - FINISH: CONTACTS, TIN PLATING OVERALL, NICKEL UNDER-PLATING;
 - PACKING: LOOSE PIECE OR TUBE. THE PART NUMBER IN THIS DRAWING ARE WITH LOOSE PIECE PACKING. PLEASE CONTACT TE SALES REPRESENTATIVES FOR TUBE PACKING REQUIREMENT.
- 5 PRELIMINARY, NOT FOR PRODUCTION.
 - 6 MATERIAL: HOUSING PA66, UL94 V0 PRODUCT COMPLY WITH GLOW WIRE REQUIREMENTS FOR PARTS OF NON-METALLIC MATERIAL SUPPORTING A CURRENT-CARRYING CONNECTION DETAILED IN IEC 60335-1, SECTION 30 (GWT).
 - 7 FINISH: CONTACT, SILVER PLATING OVERALL, NICKEL UNDER-PLATING.
 - 8 SPECIAL VERSION: SHORT PEG DESIGN, DETAIL IN SHEET 3
 - 9 PART NUMBER WITH TUBE PACKAGING.



42.30	40.30	8
37.30	35.30	7
32.30	30.30	6
27.30	25.30	5
22.30	20.30	4
17.30	15.30	3
12.30	10.30	2
N	M	NO.OF POS.

THIS DRAWING IS A CONTROLLED DOCUMENT.

DWN	B.P	APR162013
CHK	F.M	APR162013
APVD	-	APR162013
PRODUCT SPEC	108-106080	
APPLICATION SPEC	-	
WEIGHT	-	
CUSTOMER DRAWING	SCALE 4:1	SHEET 1 OF 4

TE Connectivity

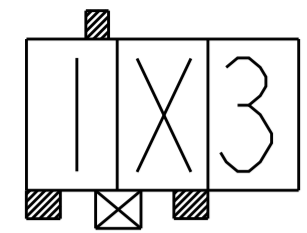
NAME RAST 5 TAB HEADER ASSY
DIN STYLE, TH, VERTICAL

SIZE A2 CAGE CODE 00779 DRAWING NO C-2232511 RESTRICTED TO

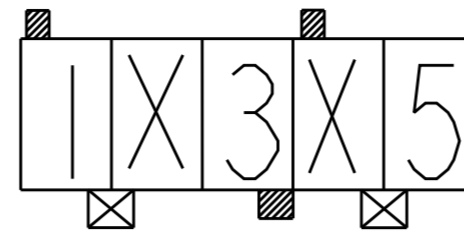
REV A20

THIS DRAWING IS UNPUBLISHED. RELEASED FOR PUBLICATION 20
 © COPYRIGHT 20 BY - ALL RIGHT REVERSED. ALL RIGHTS RESERVED.

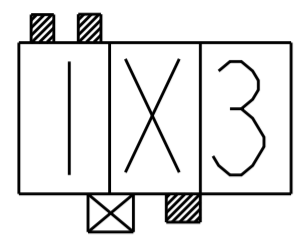
LOC	DIST	REVISIONS			
P	LTR	DESCRIPTION	DATE	DWN	APVD
-	-	SEE SHEET 1	-	-	-



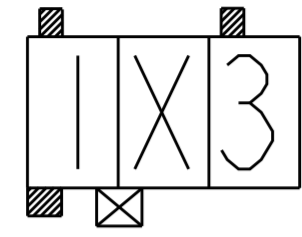
3-2232511-3 $\Delta_5 \Delta_7$



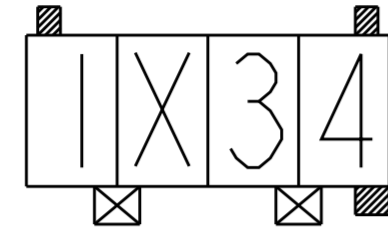
4-2232511-5 $\Delta_5 \Delta_9$



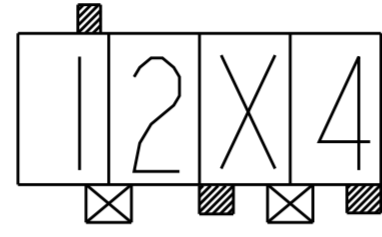
2-2232511-3 Δ_5



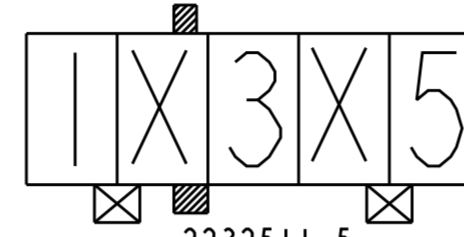
2232511-3
 1-2232511-3 Δ_6
 2328608-3 Δ_8



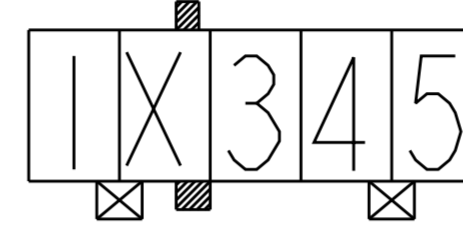
2232511-4



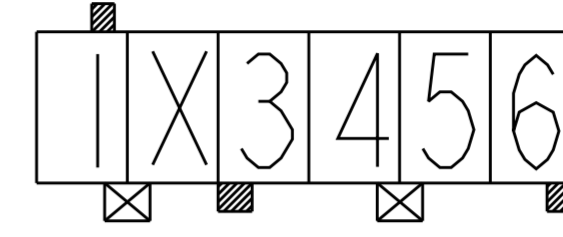
1-2232511-4



2232511-5
 1-2232511-5 Δ_6
 2328608-5 Δ_8



2-2232511-5 Δ_5



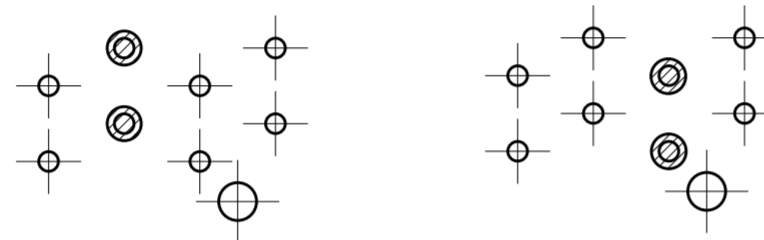
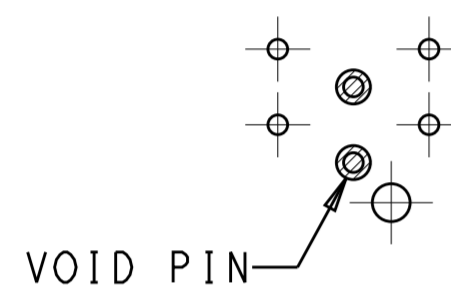
2232511-6

6 POS.

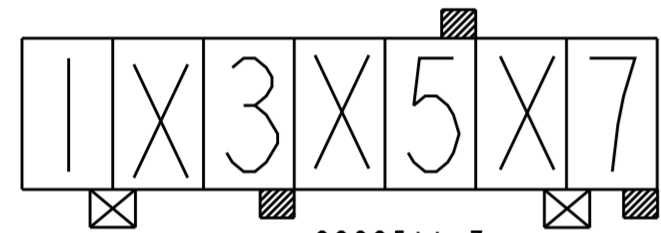
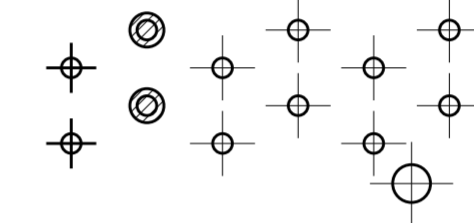
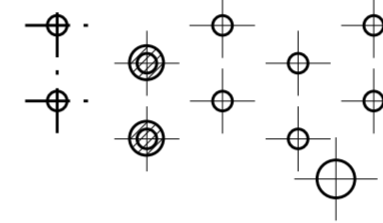
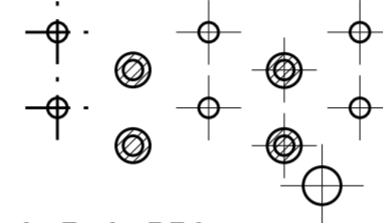
3 POS.

4 POS.

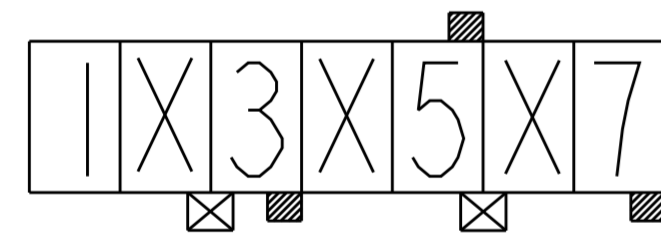
5 POS.



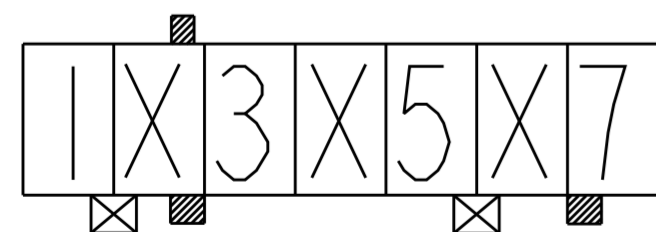
PCB LAYOUT SKETCH
 SOLDER SIDE



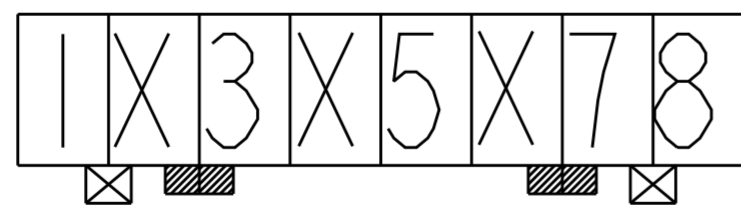
2232511-7
 1-2232511-7 Δ_6
 2328608-7 Δ_8



2-2232511-7 Δ_6
 1-2328608-7 $\Delta_5 \Delta_8$



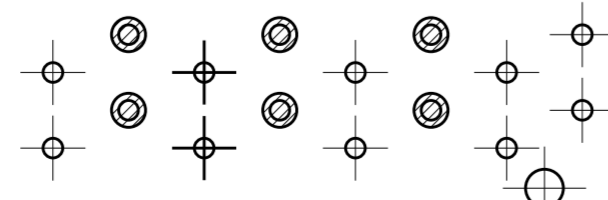
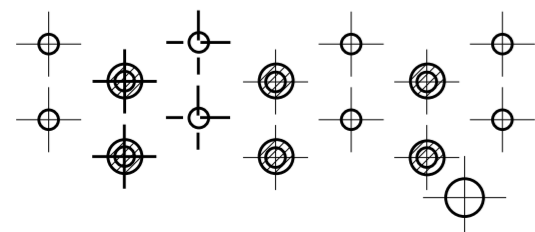
3-2232511-7



2232511-8

7 POS.

8 POS.

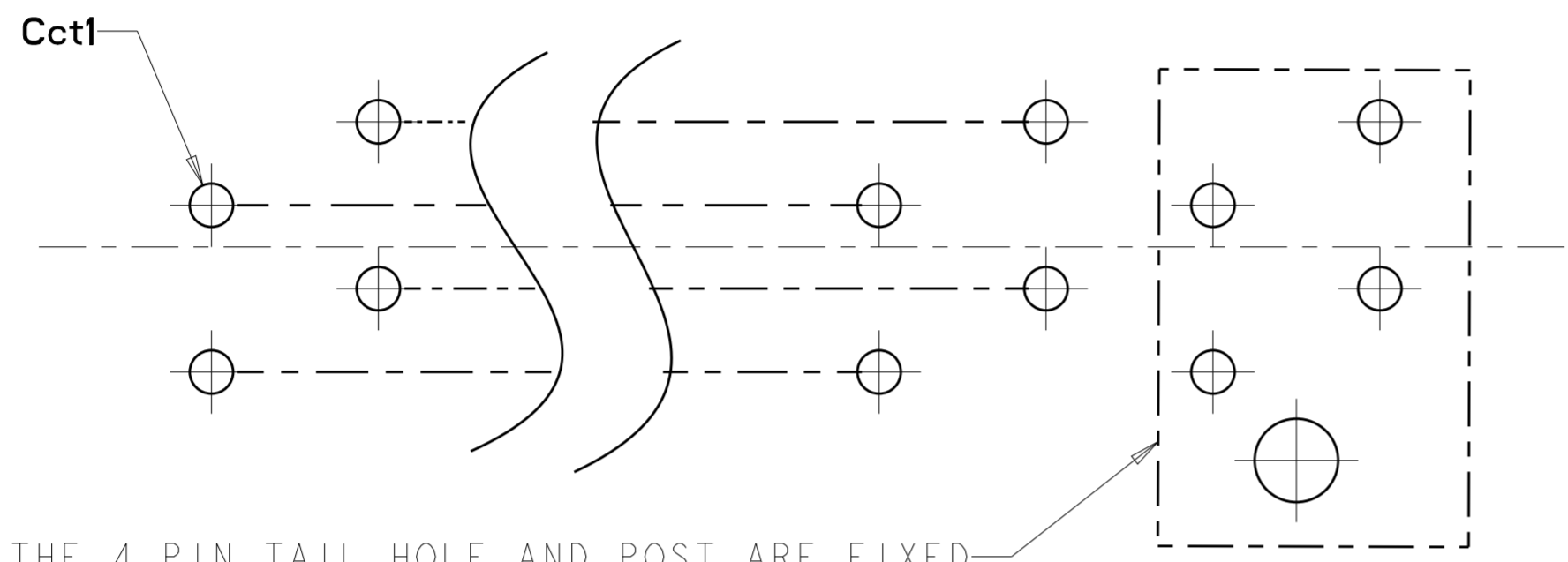


PCB LAYOUT SKETCH
 SOLDER SIDE

THIS DRAWING IS A CONTROLLED DOCUMENT.		DWN B.P.	APR162013	 TE Connectivity
DIMENSIONS: mm		CHK	24SEP2013	
		APVD	24SEP2013	
TOLERANCES UNLESS OTHERWISE SPECIFIED:		PRODUCT SPEC		NAME
0 PLC	±	108-106080		RAST 5 TAB HEADER ASSY DIN STYLE, TH, VERTICAL
1 PLC	±0.5	APPLICATION SPEC		SIZE
2 PLC	±0.13	-		CAGE CODE
3 PLC	±0.013	-		DRAWING NO
4 PLC	±0.0001	-		RESTRICTED TO
ANGLES	±	WEIGHT		A200779
FINISH	-	CUSTOMER DRAWING		C-2232511
-		SCALE 4:1		SHEET 2 OF 4
-		-		REV A20

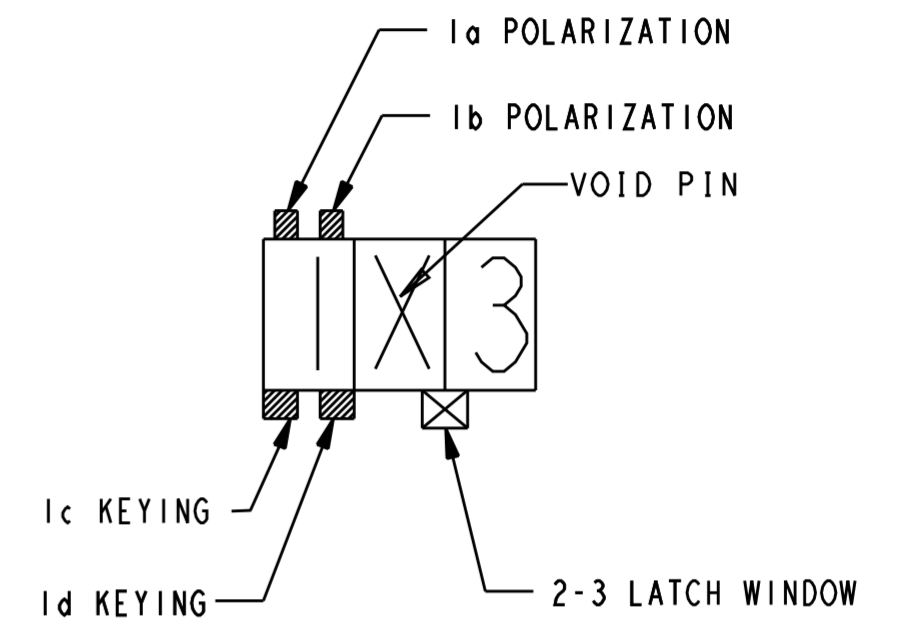
THIS DRAWING IS UNPUBLISHED. RELEASED FOR PUBLICATION 20
 © COPYRIGHT 20 BY - ALL RIGHT REVERSED ALL RIGHTS RESERVED.

LOC		DIST		REVISIONS			
P	LTR	DESCRIPTION	DATE	DWN	APVD		
-	-	SEE SHEET 1	-	-	-		



CENTERLINE

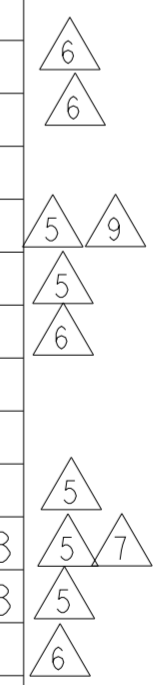
THE POSITION OF THE 4 PIN TAIL HOLE AND POST ARE FIXED



PICTORIAL VIEW KEY

RECOMMEND PCB LAYOUT - SOLDER SIDE
 PCB 1.5± 0.2 THICK

COLOR	NO. OF POS.	PART NUMBER
	8	2232511-8
	7	3-2232511-7
	7	2-2232511-7
	7	1-2232511-7
	7	2232511-7
	6	2232511-6
	5	4-2232511-5
	5	2-2232511-5
	5	1-2232511-5
	5	2232511-5
	4	1-2232511-4
	4	2232511-4
	3	3-2232511-3
	3	2-2232511-3
	3	1-2232511-3
	3	2232511-3

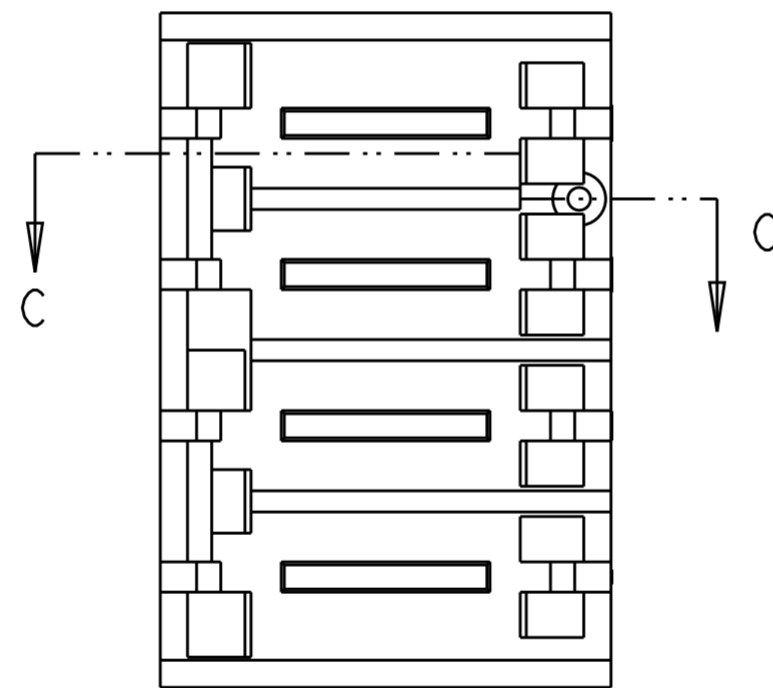
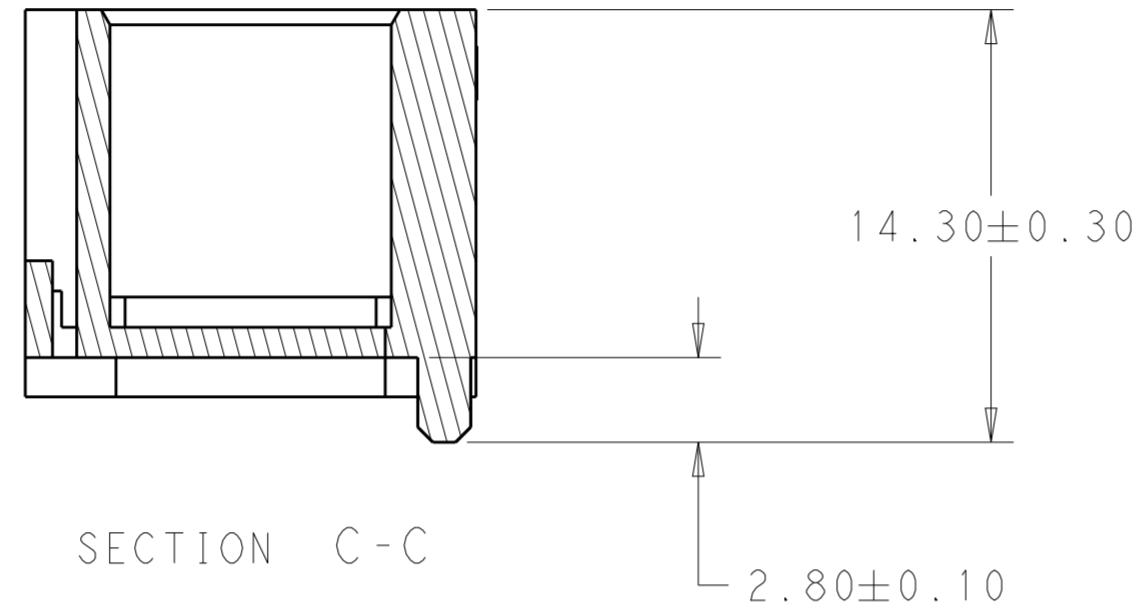


THIS DRAWING IS A CONTROLLED DOCUMENT.		DWN B.P	APR162013	TE Connectivity	
		CHK	24SEP2013		
		APVD	24SEP2013	NAME RAST 5 TAB HEADER ASSY DIN STYLE, TH, VERTICAL	
DIMENSIONS: mm		TOLERANCES UNLESS OTHERWISE SPECIFIED:		PRODUCT SPEC 108-106080	
		0 PLC ± 1 PLC ±0.5 2 PLC ±0.13 3 PLC ±0.013 4 PLC ±0.001 ANGLES ± FINISH ±		APPLICATION SPEC	
MATERIAL		WEIGHT		SIZE A200779	
		CUSTOMER DRAWING		DRAWING NO C-2232511	
		SCALE 4:1		RESTRICTED TO	
		SHEET 3 OF 4		REV A20	

THIS DRAWING IS UNPUBLISHED. RELEASED FOR PUBLICATION 20
 © COPYRIGHT 20 BY - ALL RIGHT REVERSED ALL RIGHTS RESERVED.

LOC		DIST		REVISIONS			
P	LTR	DESCRIPTION	DATE	DWN	APVD		
-	-	SEE SHEET 1	-	-	-		

△ SPECIAL VERSION: SHORT PEG DESIGN



OTHER DIMENSIONS SEE SHEET 1
 KEYING SEE SHEET 2

NATURE	7	△5 1-2328608-7
	7	2328608-7
	5	2328608-5
	3	2328608-3
COLOR	NO. OF POS.	△8 PART NUMBER

THIS DRAWING IS A CONTROLLED DOCUMENT.		DWN B.P	APR162013	STE TE Connectivity
DIMENSIONS: mm		CHK F.M	APR162013	
TOLERANCES UNLESS OTHERWISE SPECIFIED:		APVD -	APR162013	
0 PLC ± 1 PLC ±0.5 2 PLC ±0.25 3 PLC ±0.013 4 PLC ±0.0001 ANGLES ± FINISH		PRODUCT SPEC 108-106080	APPLICATION SPEC -	
MATERIAL	-	WEIGHT	-	NAME RAST 5 TAB HEADER ASSY DIN STYLE, TH, VERTICAL
-		CUSTOMER DRAWING		SIZE A200779
-		SCALE 4:1		DRAWING NO C-2232511
-		SHEET 4 OF 4		RESTRICTED TO
-		REV A20		

X-ON Electronics

Largest Supplier of Electrical and Electronic Components

Click to view similar products for [Headers & Wire Housings](#) category:

Click to view products by [TE Connectivity](#) manufacturer:

Other Similar products are found below :

[95000-104TRLF](#) [10135584-644402LF](#) [DF62W-EP2022PCA](#) [95000-106TRLF](#) [DF62W-2022SCA](#) [DF62W-EP2022PC](#) [2203348](#) [DF62W-2022SC](#) [1084018](#) [1029039](#) [1084017](#) [802-10-012-10-002000](#) [1112640](#) [1112639](#) [000-34000](#) [0009482033](#) [0009507031](#) [57102-S06-03LF](#) [57202-S52-04LF](#) [PCN6-15S-2.5E](#) [0039019024](#) [58102-G61-06LF](#) [582553-1](#) [0009508121](#) [0050291907](#) [018731A](#) [LY20-4P-DT1-P1E-BR](#) [02.125.8002.8](#) [60101931](#) [60598-1 \(Cut Strip\)](#) [M1625-3R/100](#) [61062-3](#) [61082-181009](#) [636-1427](#) [638009-1](#) [641938-9](#) [641991-4](#) [644168-1](#) [647662-1](#) [65039-019ELF](#) [65817-002LF](#) [65817-015LF](#) [65863-015LF](#) [66207-023LF](#) [67016-026LF](#) [67046-001LF](#) [67095-007LF](#) [68002-116](#) [68016-236H](#) [68648-049](#)