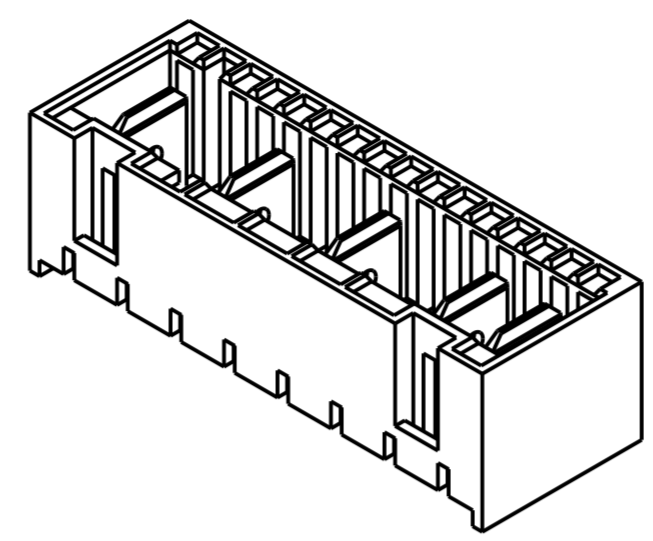
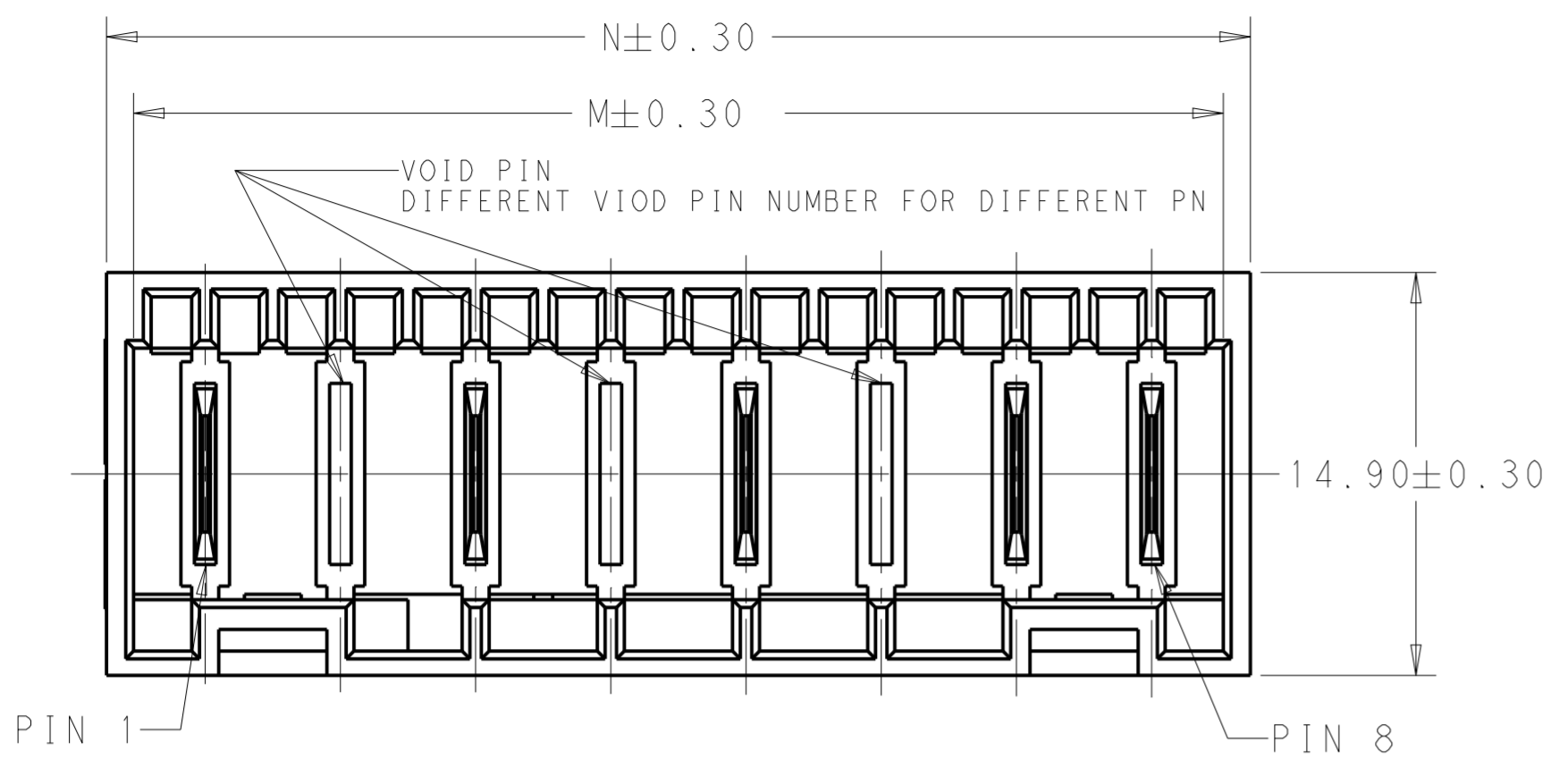
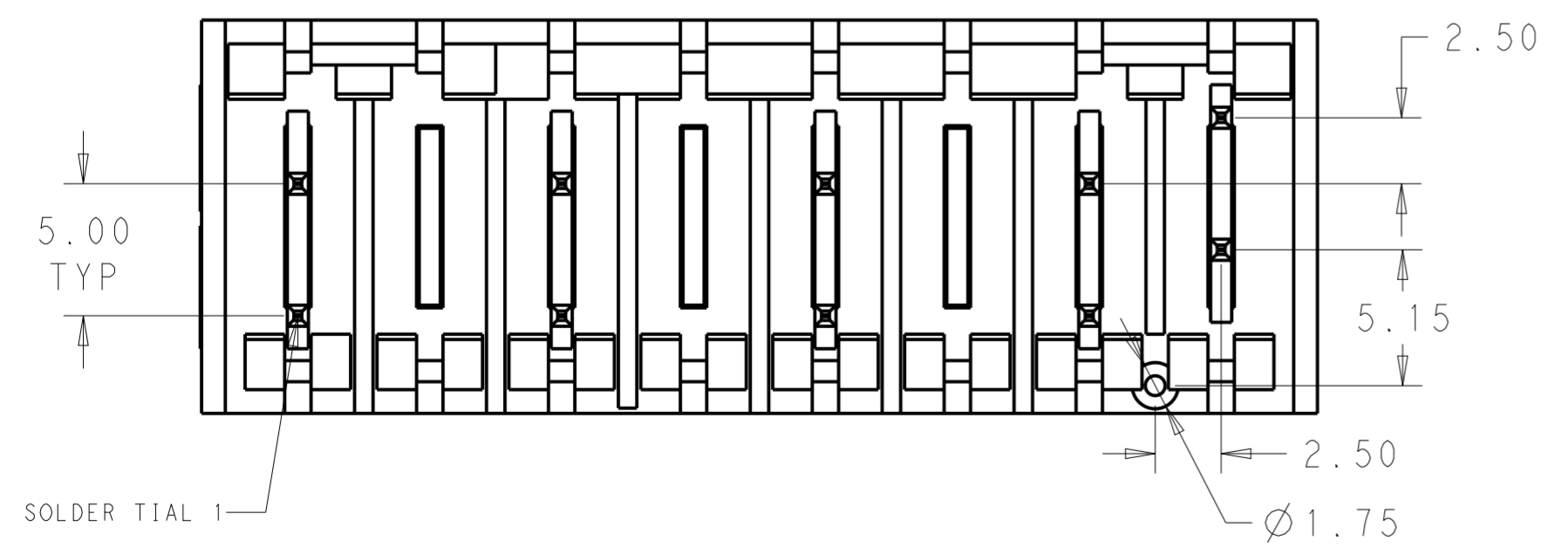
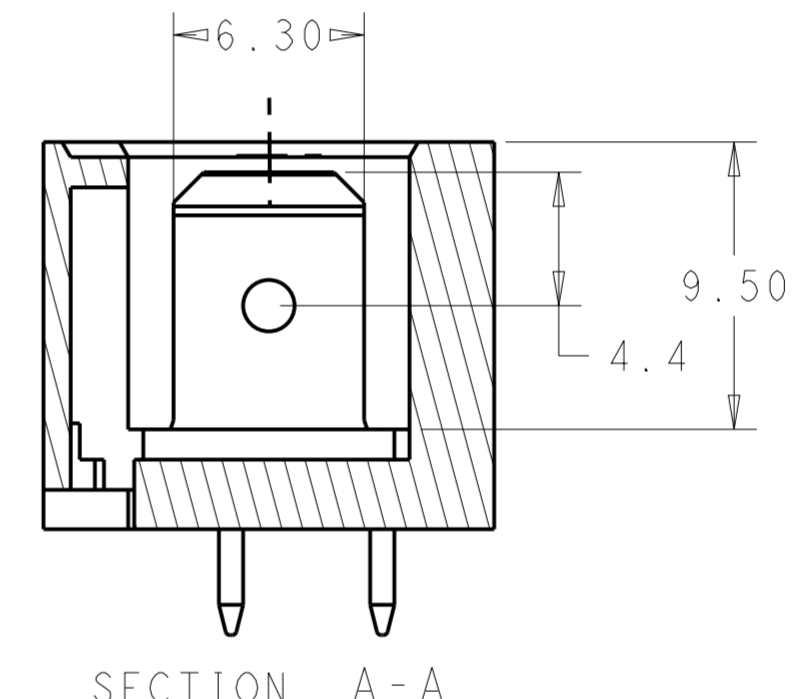
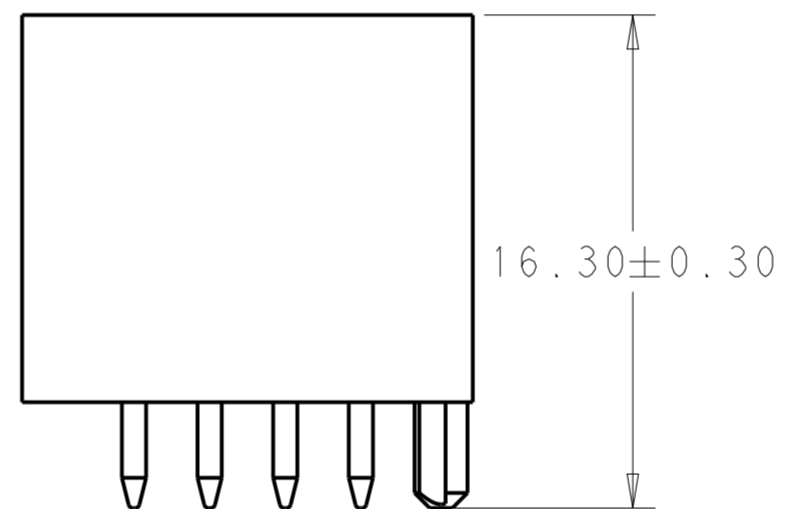
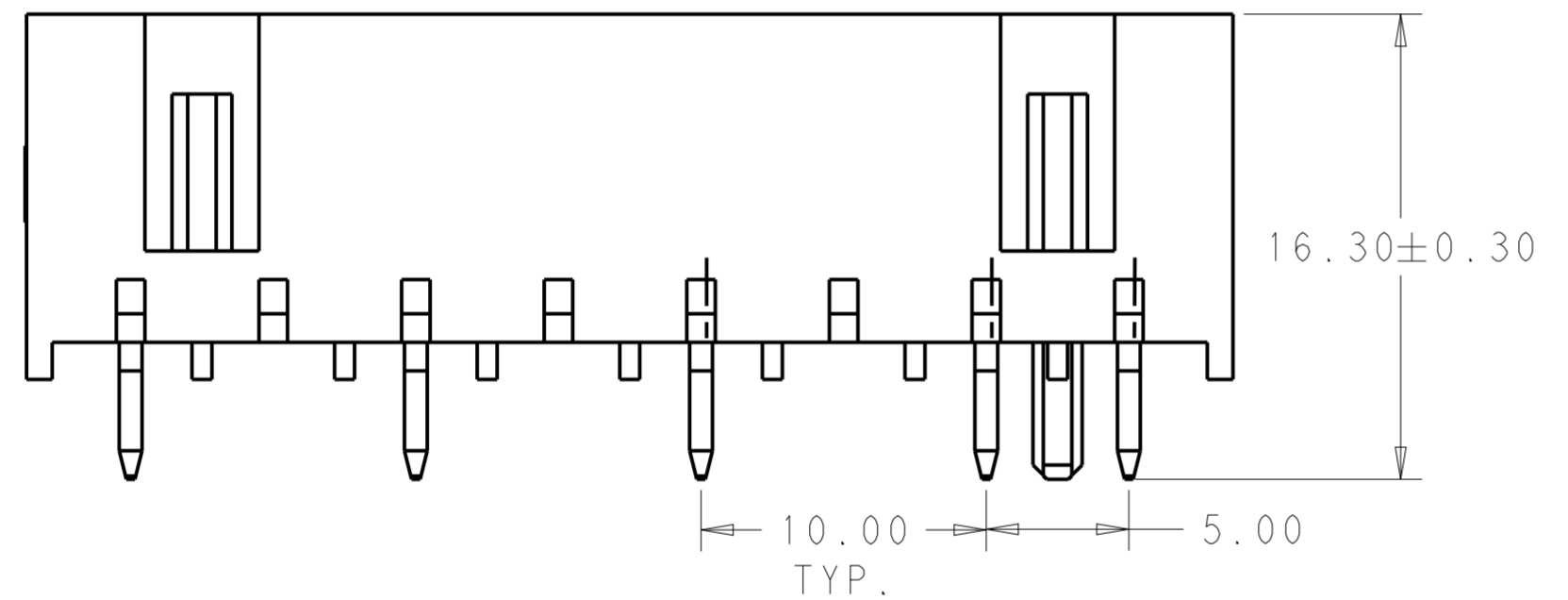


THIS DRAWING IS UNPUBLISHED. RELEASED FOR PUBLICATION 20
 © COPYRIGHT 20 BY - ALL RIGHT REVERSED ALL RIGHTS RESERVED.

LOC		DIST		REVISIONS			
P	LTR	DESCRIPTION	DATE	DWN	APVD		
A19	ECR-20-100925		25NOV2020	LZ	FL		
A20	ECR-20-101145		23DEC2020	LZ	FL		
B	ECR-21-100869		31MAR2021	PJ	FL		
B1	ECR-21-103797		25MAY2021	KD	FL		



- HOUSING HAS RAST 5 COMPLIANT KEYING LATCHING, AND POLARIZATION, TAB IS 6.30 x 0.8mm ACCORDING TO DIN 46224;
 - MATERIAL: HOUSING NYLON, UL94 V0, 750 °C GWT NO FLAME;
 - FINISH: CONTACTS, TIN PLATING OVERALL, NICKEL UNDER-PLATING;
 - PACKING: LOOSE PIECE OR TUBE. THE PART NUMBER IN THIS DRAWING ARE WITH LOOSE PIECE PACKING. PLEASE CONTACT TE SALES REPRESENTATIVES FOR TUBE PACKING REQUIREMENT.
- 5 PRELIMINARY, NOT FOR PRODUCTION.
 - 6 MATERIAL: HOUSING PA66, UL94 V0 PRODUCT COMPLY WITH GLOW WIRE REQUIREMENTS FOR PARTS OF NON-METALLIC MATERIAL SUPPORTING A CURRENT-CARRYING CONNECTION DETAILED IN IEC 60335-1, SECTION 30 (GWT).
 - 7 FINISH: CONTACT, SILVER PLATING OVERALL, NICKEL UNDER-PLATING.
 - 8 SPECIAL VERSION: SHORT PEG DESIGN, DETAIL IN SHEET 3
 - 9 PART NUMBER WITH TUBE PACKAGING.



42.30	40.30	8
37.30	35.30	7
32.30	30.30	6
27.30	25.30	5
22.30	20.30	4
17.30	15.30	3
12.30	10.30	2
N	M	NO. OF POS.

THIS DRAWING IS A CONTROLLED DOCUMENT.

DWN	B.P	APR162013
CHK	F.M	APR162013
APVD	-	APR162013
PRODUCT SPEC	108-106080	
APPLICATION SPEC	-	
WEIGHT	-	
CUSTOMER DRAWING	SCALE 4:1	SHEET 1 OF 4

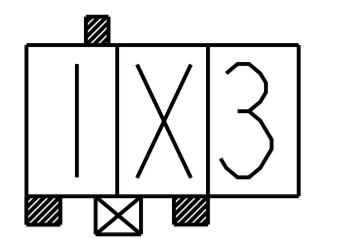
STE TE Connectivity

NAME: RAST 5 TAB HEADER ASSY
DIN STYLE, TH, VERTICAL

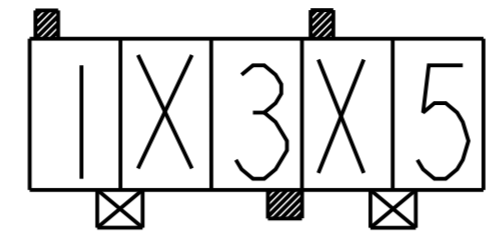
SIZE: A2 CAGE CODE: 00779 DRAWING NO: C-2232511 RESTRICTED TO: B1

THIS DRAWING IS UNPUBLISHED. RELEASED FOR PUBLICATION 20
 © COPYRIGHT 20 BY - ALL RIGHT REVERSED. ALL RIGHTS RESERVED.

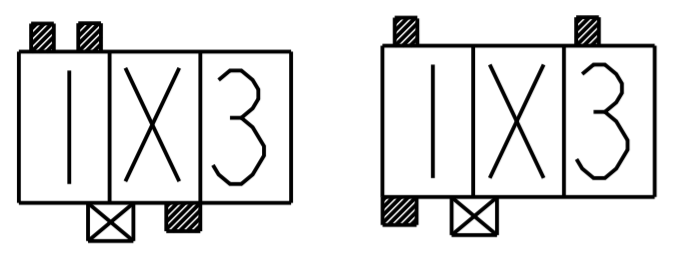
LOC	DIST	REVISIONS			
P	LTR	DESCRIPTION	DATE	DWN	APVD
-	-	SEE SHEET 1	-	-	-



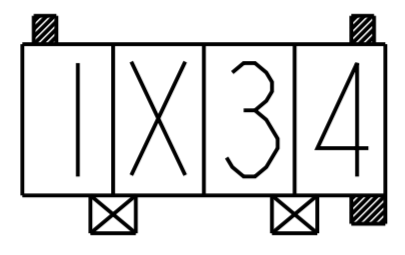
3-2232511-3 $\Delta_5 \Delta_7$



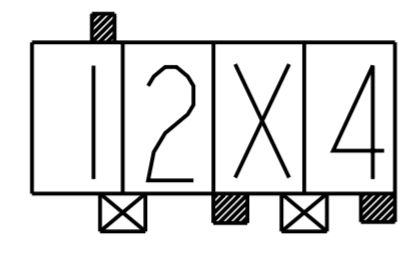
4-2232511-5 $\Delta_5 \Delta_9$



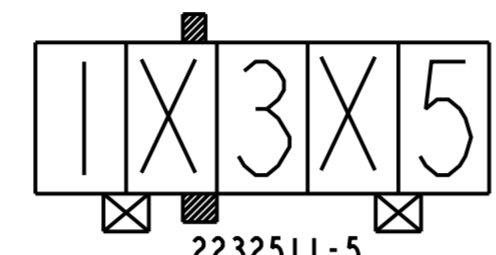
2-2232511-3 Δ_5
 1-2232511-3 Δ_6
 2328608-3 Δ_8



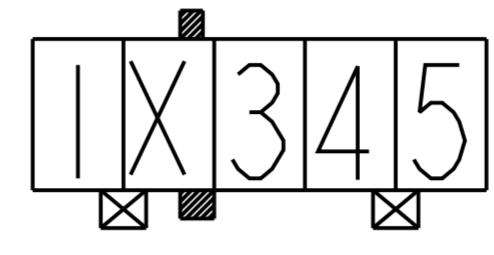
2232511-4



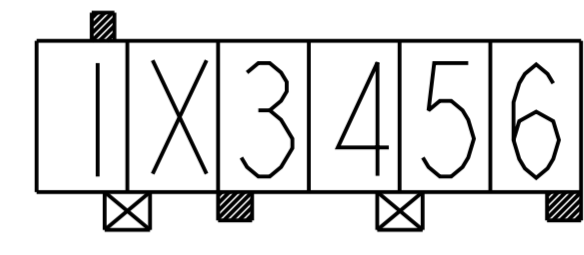
1-2232511-4



2232511-5
 1-2232511-5 Δ_6
 2328608-5 Δ_8



2-2232511-5 Δ_5



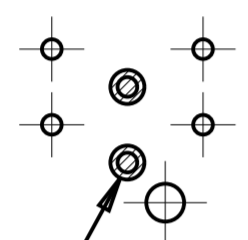
2232511-6

3 POS.

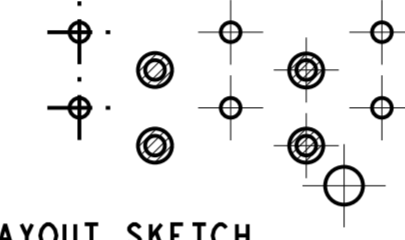
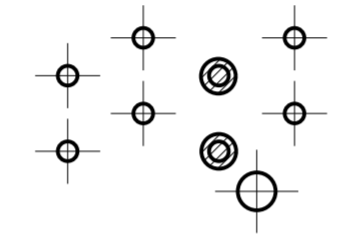
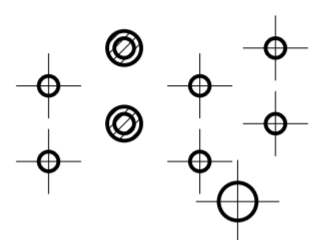
4 POS.

5 POS.

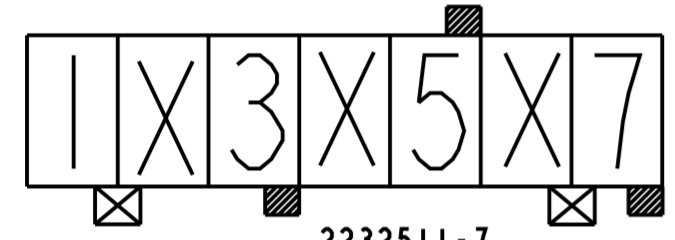
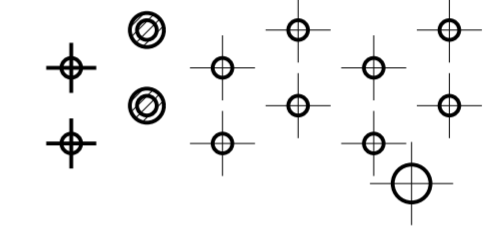
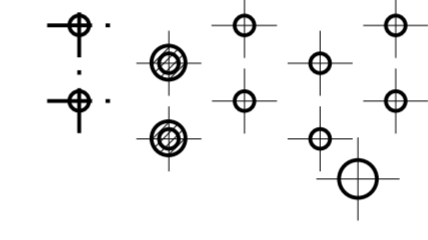
6 POS.



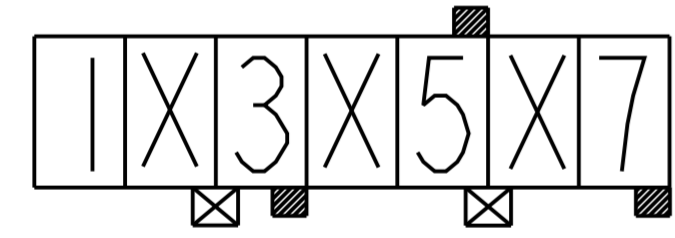
VOID PIN



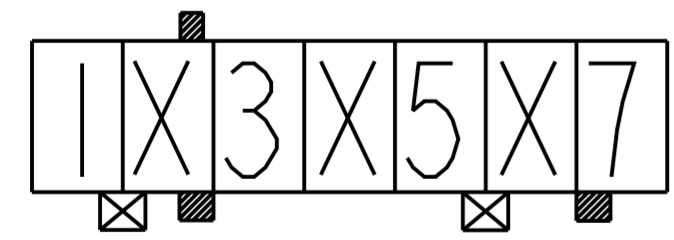
PCB LAYOUT SKETCH
SOLDER SIDE



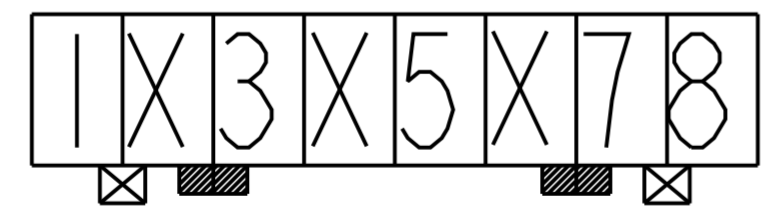
2232511-7
 1-2232511-7 Δ_6
 2328608-7 Δ_8



2-2232511-7 Δ_6
 1-2328608-7 Δ_8



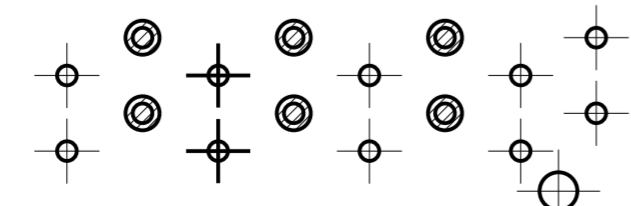
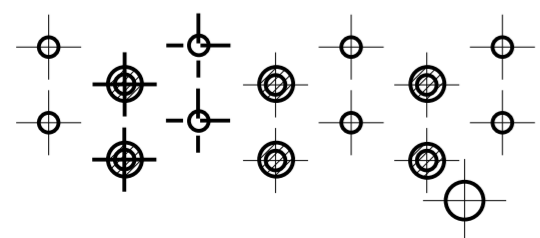
3-2232511-7



2232511-8

7 POS.

8 POS.

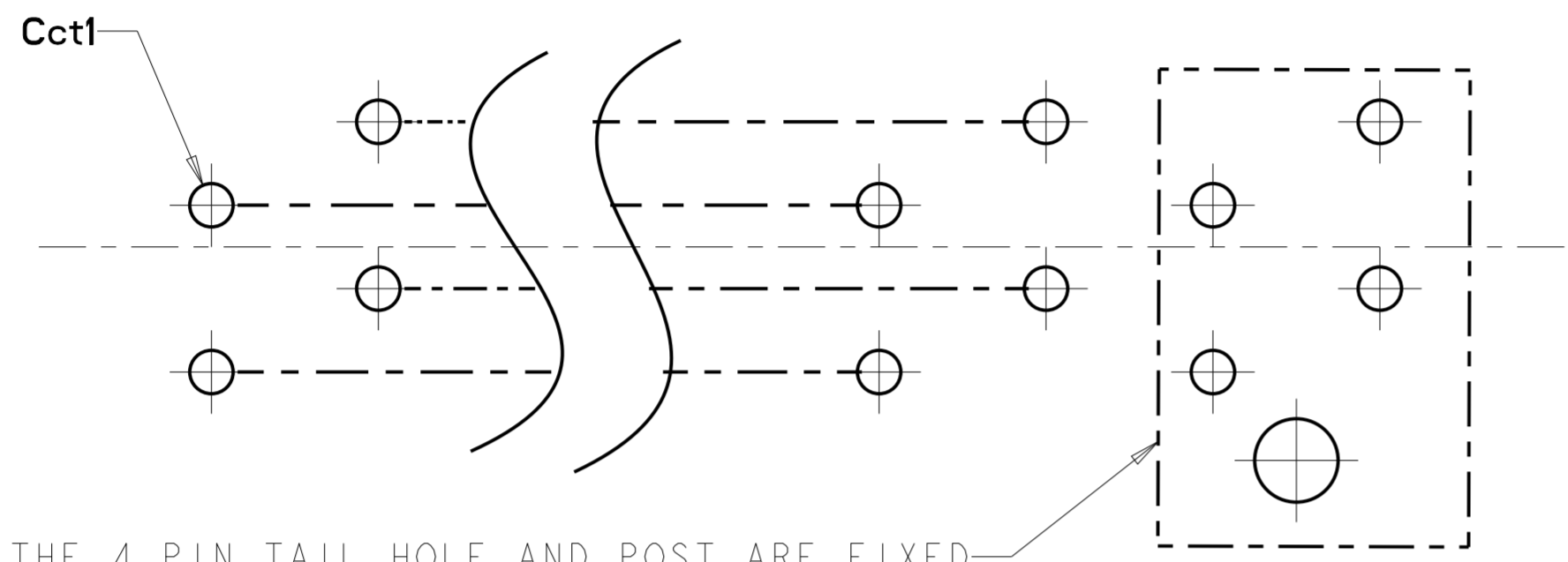


PCB LAYOUT SKETCH
SOLDER SIDE

THIS DRAWING IS A CONTROLLED DOCUMENT.		DWN B.P.	APR162013	TE Connectivity
DIMENSIONS: mm		CHK	24SEP2013	
		APVD	24SEP2013	
TOLERANCES UNLESS OTHERWISE SPECIFIED:		PRODUCT SPEC		NAME
0 PLC	±	108-106080		RAST 5 TAB HEADER ASSY DIN STYLE, TH, VERTICAL
1 PLC	±0.5	APPLICATION SPEC		SIZE
2 PLC	±0.13	MATERIAL		A200779
3 PLC	±0.013	WEIGHT		C-2232511
4 PLC	±0.0001	CUSTOMER DRAWING		SCALE 4:1
ANGLES	±	SHEET 2 OF 4		REV B1
FINISH				

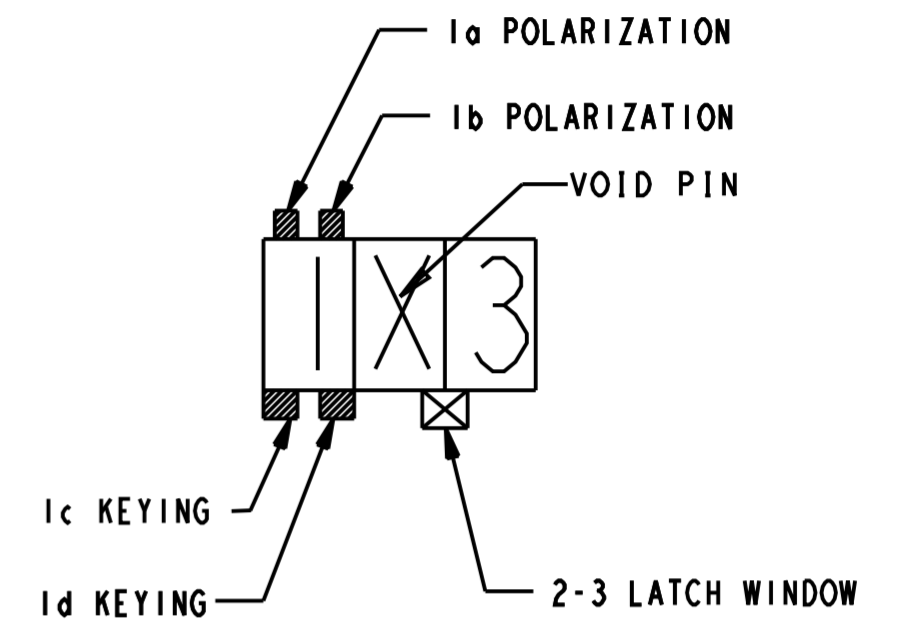
THIS DRAWING IS UNPUBLISHED. RELEASED FOR PUBLICATION 20
 © COPYRIGHT 20 BY - ALL RIGHT REVERSED ALL RIGHTS RESERVED.

REVISIONS						
LOC	DIST	P	LTR	DESCRIPTION	DATE	APVD
-	-	-	-	SEE SHEET 1	-	-



CENTERLINE

THE POSITION OF THE 4 PIN TAIL HOLE AND POST ARE FIXED



PICTORIAL VIEW KEY

RECOMMEND PCB LAYOUT - SOLDER SIDE
 PCB 1.5± 0.2 THICK

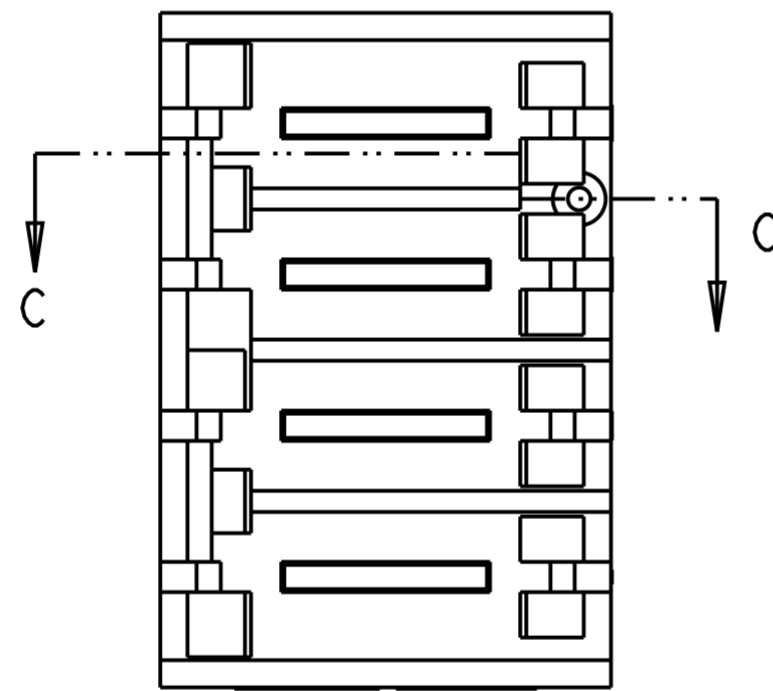
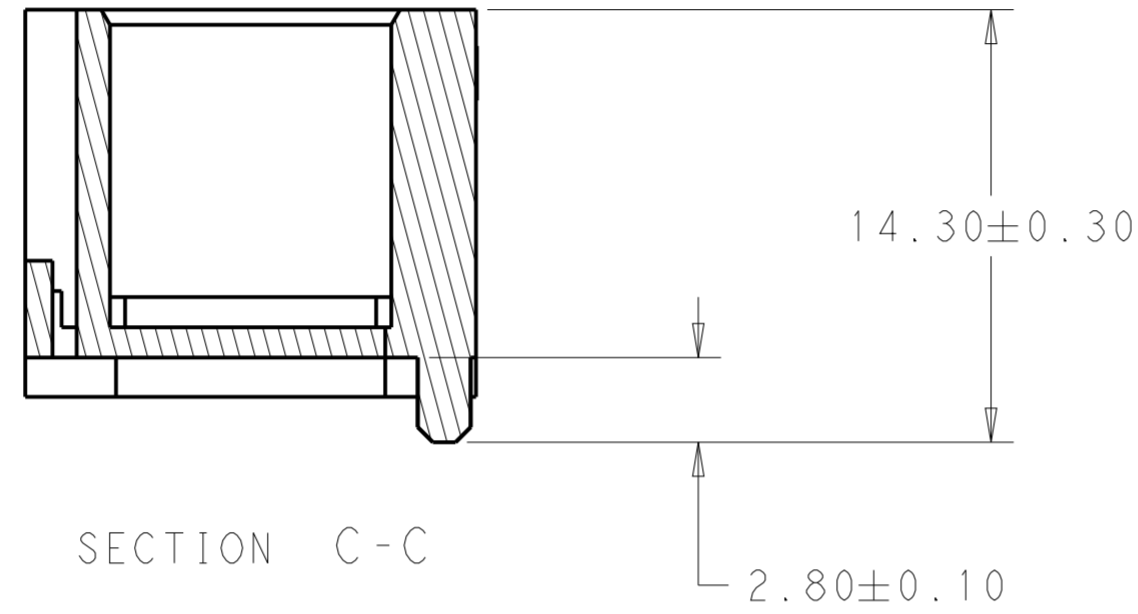
NATURE	8	2232511-8	
	7	3-2232511-7	
	7	2-2232511-7	6
	7	1-2232511-7	6
	7	2232511-7	
	6	2232511-6	
	5	4-2232511-5	5 9
	5	2-2232511-5	5
	5	1-2232511-5	6
	5	2232511-5	
	4	1-2232511-4	
	4	2232511-4	5
	3	3-2232511-3	5 7
	3	2-2232511-3	5
	3	1-2232511-3	6
3	2232511-3		
COLOR	NO. OF POS.	PART NUMBER	

THIS DRAWING IS A CONTROLLED DOCUMENT.		DWN B.P	APR162013	STE TE Connectivity
		CHK	24SEP2013	
		APVD	24SEP2013	
DIMENSIONS: mm		TOLERANCES UNLESS OTHERWISE SPECIFIED:		NAME RAST 5 TAB HEADER ASSY DIN STYLE, TH, VERTICAL
		0 PLC ±		PRODUCT SPEC 108-106080
		1 PLC ±0.5		APPLICATION SPEC
MATERIAL		2 PLC ±0.13		SIZE A200779
		3 PLC ±0.013		CAGE CODE C-2232511
		4 PLC ±0.001		DRAWING NO
		ANGLES ±		RESTRICTED TO
		FINISH		SCALE 4:1
		MATERIAL		SHEET 3 OF 4
		CUSTOMER DRAWING		REV B1

THIS DRAWING IS UNPUBLISHED. RELEASED FOR PUBLICATION 20
 © COPYRIGHT 20 BY - ALL RIGHT REVERSED ALL RIGHTS RESERVED.

LOC		DIST		REVISIONS			
P	LTR	DESCRIPTION	DATE	DWN	APVD		
-	-	SEE SHEET 1	-	-	-		

△ SPECIAL VERSION: SHORT PEG DESIGN



OTHER DIMENSIONS SEE SHEET 1
 KEYING SEE SHEET 2

NATURE	7	1-2328608-7
	7	2328608-7
	5	2328608-5
	3	2328608-3
COLOR	NO. OF POS.	△ PART NUMBER

THIS DRAWING IS A CONTROLLED DOCUMENT.		DWN B.P.	APR162013	 TE Connectivity
DIMENSIONS: mm		CHK F.M.	APR162013	
TOLERANCES UNLESS OTHERWISE SPECIFIED:		APVD -	APR162013	
0 PLC ± 1 PLC ±0.5 2 PLC ±0.25 3 PLC ±0.013 4 PLC ±0.0001 ANGLES ± FINISH		PRODUCT SPEC 108-106080	APPLICATION SPEC -	
MATERIAL	-	WEIGHT	-	NAME RAST 5 TAB HEADER ASSY DIN STYLE, TH, VERTICAL
CUSTOMER DRAWING		SIZE	A2	CAGE CODE 00779
SCALE 4:1		DRAWING NO	C-2232511	RESTRICTED TO
SHEET 4 OF 4		REV B1		

X-ON Electronics

Largest Supplier of Electrical and Electronic Components

Click to view similar products for [Headers & Wire Housings](#) category:

Click to view products by [TE Connectivity](#) manufacturer:

Other Similar products are found below :

[892-18-020-10-001101](#) [58102-G61-06LF](#) [582553-1](#) [0009485154](#) [009176003701906](#) [0050291907](#) [LY20-4P-DT1-P1E-BR](#) [02.125.8002.8](#)
[609-3404](#) [61062-3](#) [61082-181009](#) [622-3653LF](#) [63453-116](#) [636-1030](#) [636-1427](#) [636-3427](#) [636-4007](#) [641938-9](#) [641991-4](#) [644827-2](#) [65817-010LF](#) [65817-015LF](#) [65863-015LF](#) [66207-023LF](#) [67095-007LF](#) [67601157](#) [68645-018](#) [68648-049](#) [70.362.1628.0](#) [70-4210](#) [70-4226B](#) [70-4853B](#) [707-5020](#) [707-5028](#) [71.350.2428.0](#) [71918-208LF](#) [71961-016LF](#) [733-134](#) [733-162](#) [754199-000](#) [760-3052](#) [787-8014-00](#) [79531-3000](#)
[FCN-360C032-B](#) [FCN-367T-T012/H](#) [FCN-723D010/2](#) [80.063.4001.1](#) [800-90-001-10-001000](#) [800-90-010-10-002000](#) [801-43-002-10-013000](#)