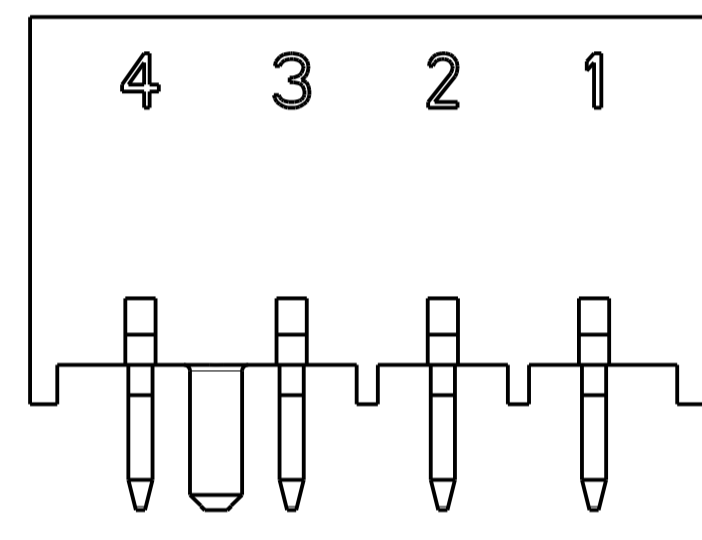
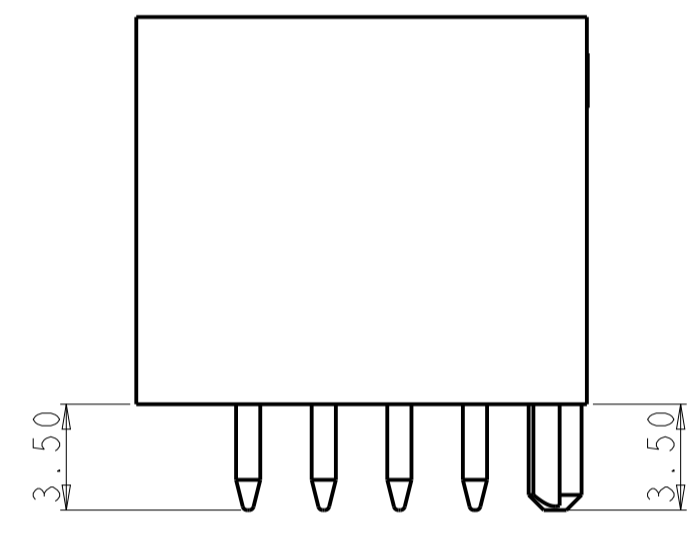
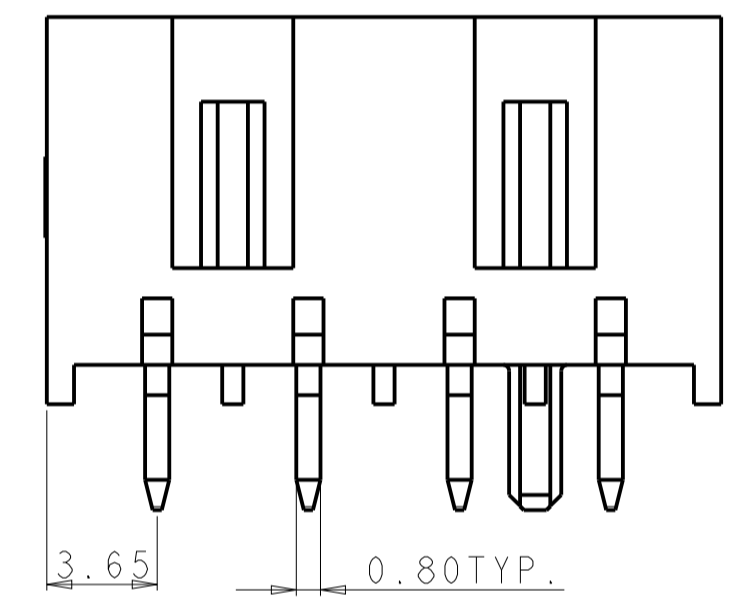
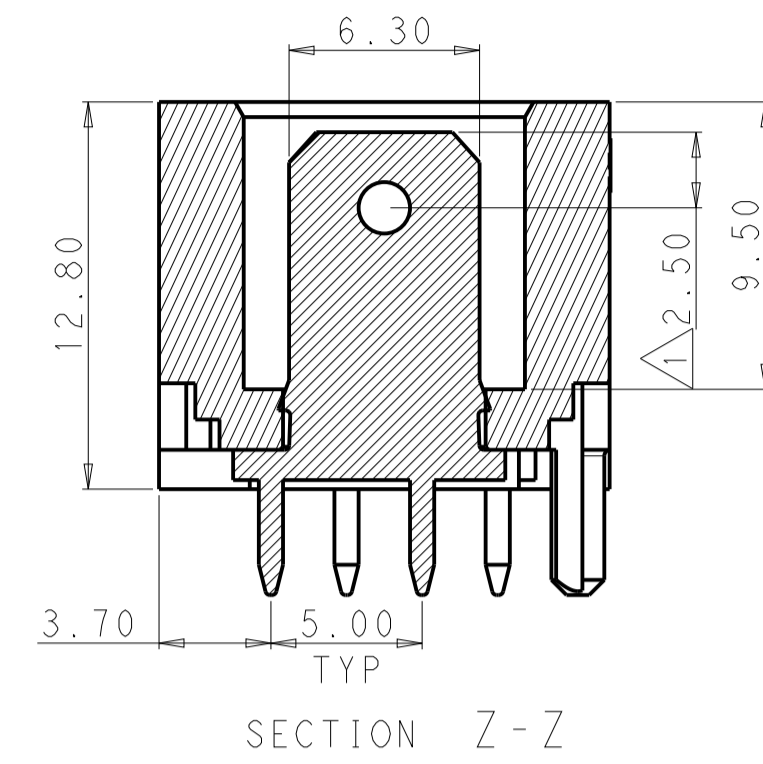
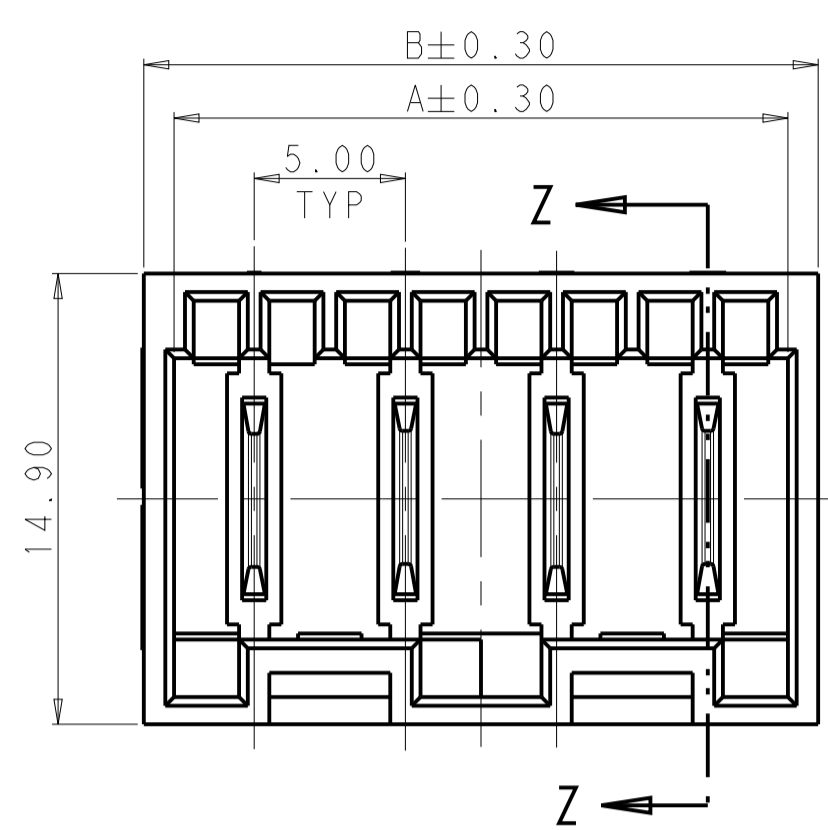
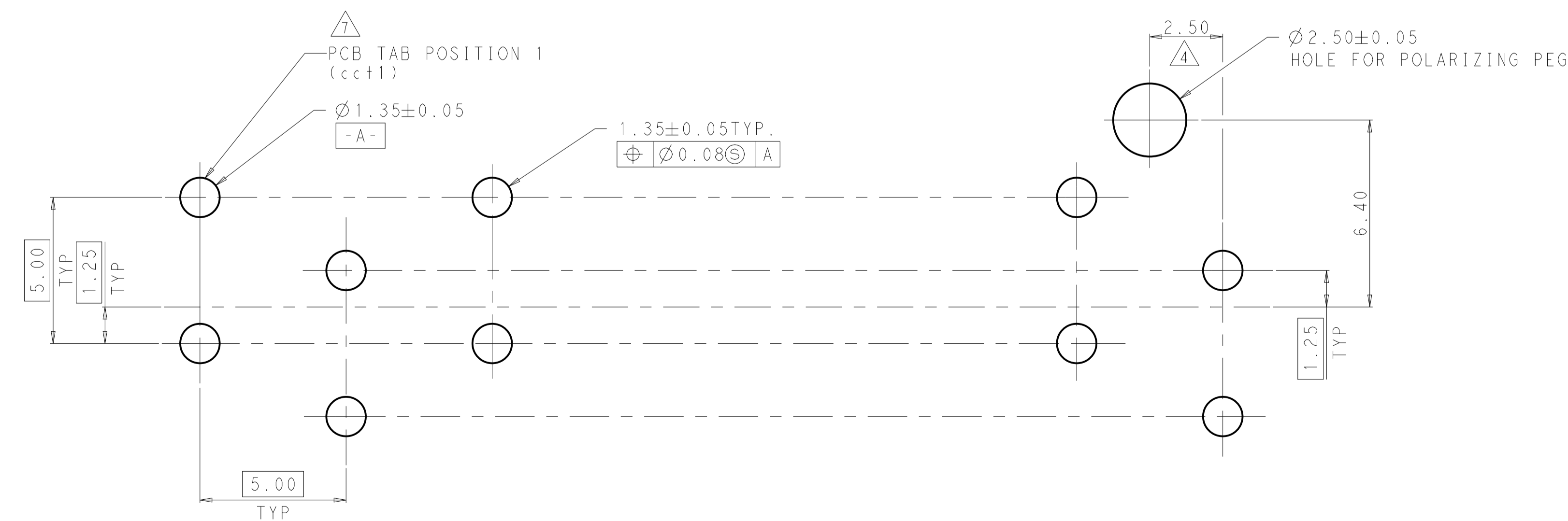
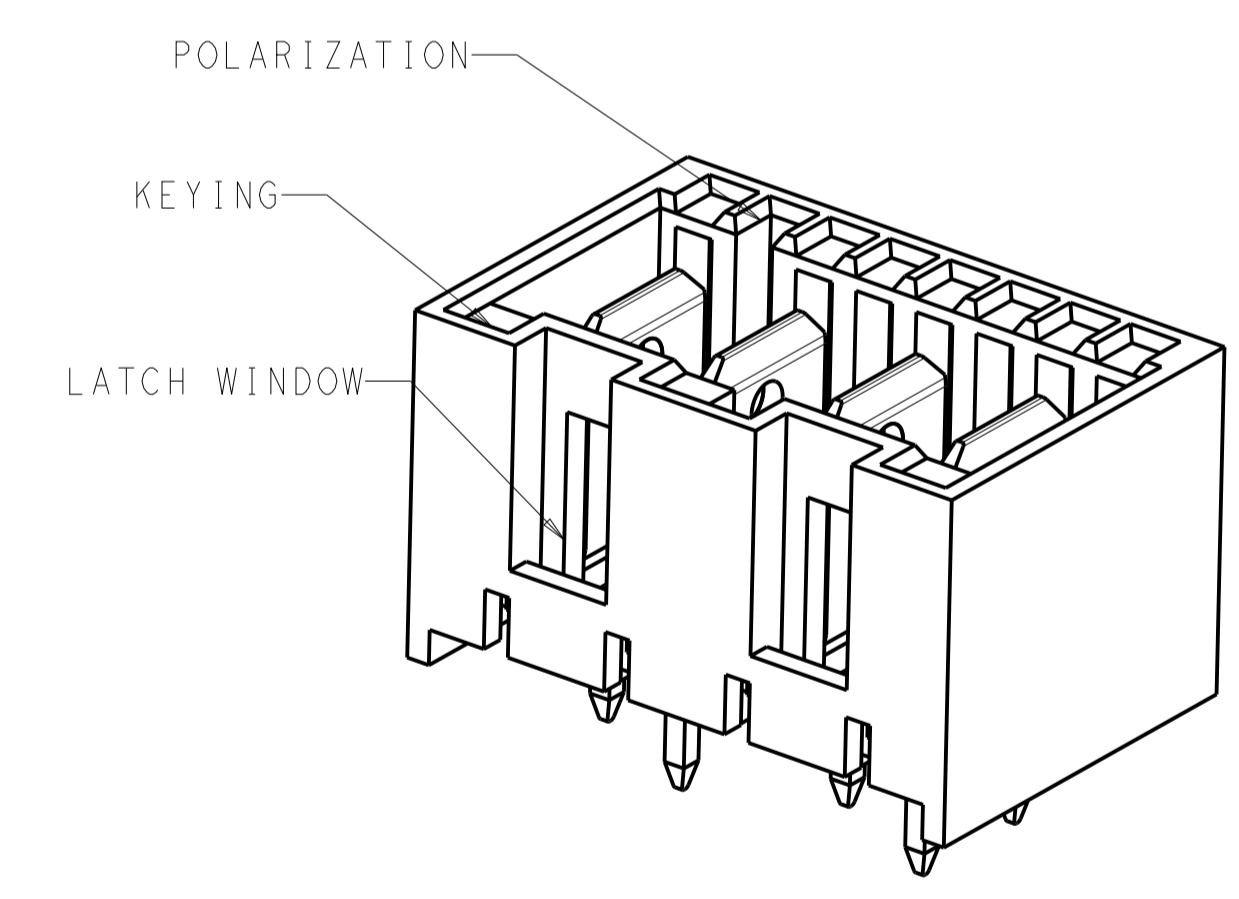


| LOC | | DIST | | REVISIONS | | | |
|-----|---------------|-------------|-----------|-----------|------|--|--|
| P | LTN | DESCRIPTION | DATE | DWN | APVD | | |
| A4 | ECR-16-016543 | | 22NOV2016 | WW | RR | | |
| A5 | ECR-19-009802 | | 26JUN2019 | KD | FL | | |
| B | ECR-21-100880 | | 17MAR2021 | KD | FL | | |



- 1. HOUSING HAS RAST 5 COMPLIANT KEYING, LATCHING, AND POLARIZATION. TAB IS 6.3 x 0.8, HOWEVER, THE LOCATION OF THE TAB HOLE DOES NOT MEET DIN 46244.
 - 2. RECOMMENDED MATING CONNECTOR FAMILIES INCLUDE POSITIVE-LOCK RAST 5, STANDARD TIMER RAST 5, MULTIFITTING, MULTIFITTING MKII, AND MONO-SHAPE TAB CONNECTORS.
 - 3. SEE SHEET 2&3 FOR AVAILABLE CONFIGURATIONS.
 - 4. DIMENSION OFF OF LAST POSITION REGARDLESS OF EVEN OR ODD POSITION HEADER.
 - 5. MATERIAL: HOUSING, NYLON, UL 94V-0. CONTACT, BRASS, 0.8mm THICK.
 - 6. FINISH: CONTACTS, TIN PLATING OVER NICKEL UNDERPLATING SILVER PLATING OVER NICKEL UNDERPLATING.
 - 7. PCB TABS INSERTED IN A STAGGERED PATTERN BEGINNING WITH POSITION 1.
 - 8. THE PART NUMBERS SHOWN IN SHEET 2&3 ARE FOR NATURAL COLOR. THE PART NUMBERS FOR OTHER COLORS ARE BASED ON THE NATURAL ONE; FOR THE SAME CONFIGURATION, THE PREFIX AND POSTFIX OF THE P/N ARE THE SAME, ONLY THE BASE NUMBER IS DIFFERENT ACCORDING TO DIFFERENT COLOR. THE DETAILS SEE SHEET 4.
 - 9. PACKAGING: LOOSE PIECE OR TUBE. THE PART NUMBERS IN THIS DRAWING ARE WITH LOOSE PICE PACKAGING. PLEASE CONTACT TE SALES REPRESENTATIVES FOR TUBE PACKAGING REQUIREMENT.
 - 10. PRODUCT COMPLY WITH GLOW WIRE REQUIREMENTS FOR PARTS OF NON-METALLIC MATERIAL SUPPORTING A CURRENT-CARRYING CONNECTION DETAILED IN IEC 60335-1, SECTION 30 (GWT).
- ⚠ PRELIMINARY, NOT FOR PRODUCTION.
 ⚠ PART NUMBERS WITH TUBE PACKAGING.



PCB LAYOUT-COMPONENT SIDE
 PCB IS 1.50±0.20 THICK

| | | |
|------|------|-------------|
| 42.3 | 40.3 | 8 |
| 37.3 | 35.3 | 7 |
| 32.3 | 30.3 | 6 |
| 27.3 | 25.3 | 5 |
| 22.3 | 20.3 | 4 |
| 17.3 | 15.3 | 3 |
| 12.3 | 10.3 | 2 |
| B | A | NO. OF POS. |

| | | | | |
|---|--|-----------------------------|---|--|
| THIS DRAWING IS A CONTROLLED DOCUMENT. | | DWN: DANIEL ZHANG 02AUG2013 | | |
| DIMENSIONS: mm | | CHK: DANIEL ZHANG 02AUG2013 | | |
| TOLERANCES UNLESS OTHERWISE SPECIFIED: | | APVD: YUZHONG MAO 02AUG2013 | NAME: ASSEMBLY, POSITIVE LOCK RAST 5, HEADER VERTICAL | |
| 0 PLC ± 1 PLC ± 2 PLC ±0.25 3 PLC ± 4 PLC ± ANGLES ± | | PRODUCT SPEC: 108-106080 | SIZE: A1 | |
| MATERIAL: FINISH: | | APPLICATION SPEC: | CAGE CODE: 2232532 | |
| WEIGHT: | | Customer Drawing | SCALE: 8:1 | |
| SHEET 1 OF 4 | | REV B | | |

| REVOLUTIONS | | DATE | OWN | APVD |
|-------------|-------------|------|-----|------|
| NO. | DESCRIPTION | | | |
| - | SEE SHEET 1 | - | - | - |

| COLOR | FINISH TAB POST | LATCH WINDOWS | KEYING | POLARIZATION | NO. OF POS. | PART NUMBER |
|---------|-----------------|---------------|--------|----------------|-------------|-------------|
| NATURAL | SILVER PLATED | 1-2 | 1c, 2d | 1a, 1b, 2a, 2b | 2 | 6-2232560-2 |
| | | 1-2 | 2d | 1a, 1b | 2 | 5-2232560-2 |
| | | 1-2 | - | 2a, 2b | 2 | 4-2232560-2 |
| | | 1-2 | 1c, 2d | 1a, 2b | 2 | 3-2232560-2 |
| | | 1-2 | 1c | 2a | 2 | 2-2232560-2 |
| | | 1-2 | - | 1a, 1b, 2a, 2b | 2 | 1-2232560-2 |
| | | 1-2 | - | - | 2 | 2232560-2 |

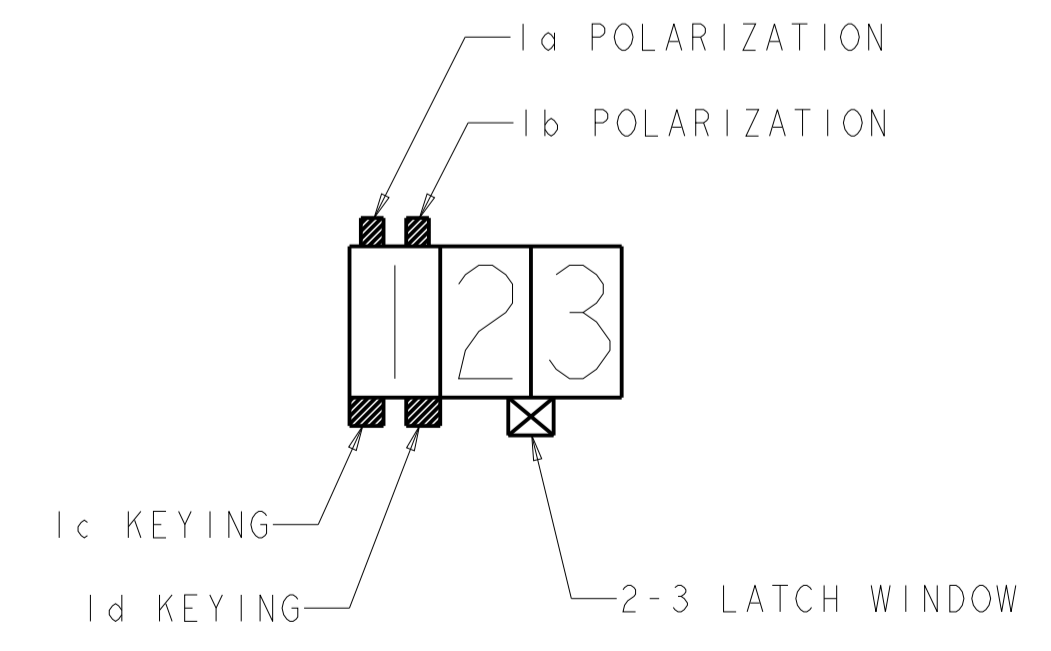
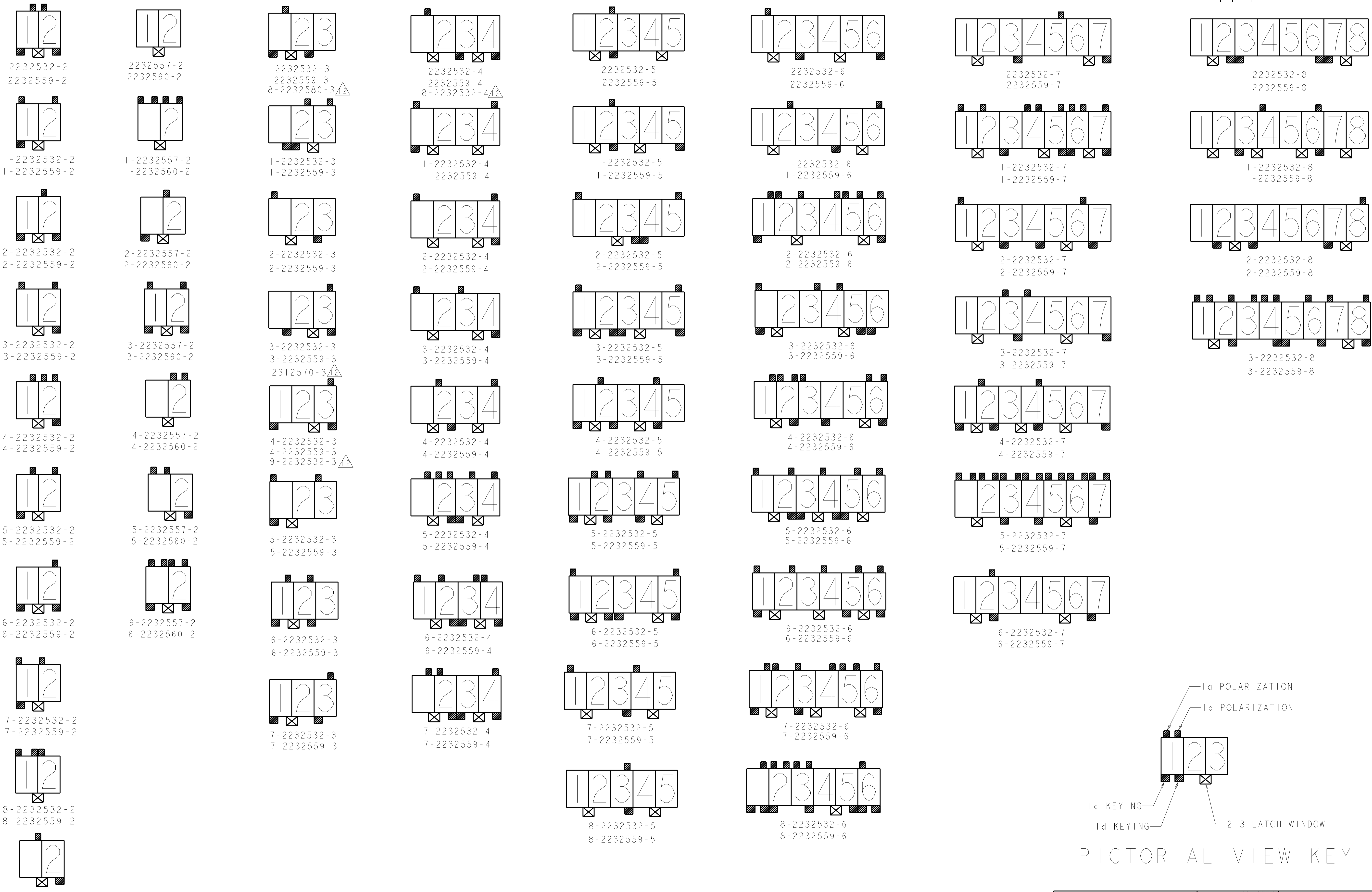
| COLOR | FINISH TAB POST | LATCH WINDOWS | KEYING | POLARIZATION | NO. OF POS. | PART NUMBER |
|---------|-----------------|--------------------|----------------------------|--|-------------|-------------|
| NATURAL | SILVER PLATED | 1-2, 7-8 | 2d, 4d, 5c, 6d, 8d | 1a, 1b, 2b, 3b, 4a, 4b, 6a, 7a, 8b | 8 | 3-2232559-8 |
| | | 2-3, 7-8 | 2c, 3d, 7c | 8b | 8 | 2-2232559-8 |
| | | 1-2, 3-4, 5-6, 7-8 | 3c, 6d | 4a, 6b | 8 | 1-2232559-8 |
| | | 1-2, 7-8 | 2d, 3c, 6d, 7c | - | 8 | 2232559-8 |
| | | 1-2, 5-6 | 2d, 7c | 2b | 6 | 6-2232559-7 |
| | | 1-2, 5-6 | 3c, 4d, 7c | 1a, 1b, 2a, 2b, 3a, 3b, 4a, 4b, 5a, 5b, 6a, 6b, 7a, 7b | 5 | 5-2232559-7 |
| | | 1-2, 3-4, 5-6 | 1c, 2d, 4d, 7d | 2a, 4b | 7 | 4-2232559-7 |
| | | 1-2, 5-6 | 3d, 7d | 3a, 4a | 7 | 3-2232559-7 |
| | | 1-2, 5-6 | 3c, 4d, 7c | 1a, 6b | 7 | 2-2232559-7 |
| | | 1-2, 4-5, 6-7 | 3c, 5d, 6c, 7d | 1a, 2a, 4a, 4b, 5b, 6a, 6b, 7b | 7 | 1-2232559-7 |
| | | 1-2, 6-7 | 3d, 7d | 5b | 7 | 2232559-7 |
| | | 4-5 | 1c, 1d, 2c, 3d, 5d, 6c, 6d | 1b, 2a, 2b, 3a, 3b, 6a | 6 | 8-2232559-6 |
| | | 1-2, 3-4, 5-6 | 1c, 3c, 6d | 1b, 2a, 3a, 4b, 5a, 5b, 6b | 6 | 7-2232559-6 |
| | | 1-2, 3-4, 5-6 | 1c, 5c, 6d | 1a, 2b, 4a, 5b, 6b | 6 | 6-2232559-6 |
| | | 1-2, 3-4, 5-6 | 2d, 3c, 4d, 5c | 1a, 2b, 4a, 5b, 6b | 6 | 5-2232559-6 |
| | | 1-2, 5-6 | 2d, 4c, 6d | 1b, 2a, 2b, 3a, 6a, 6b | 6 | 4-2232559-6 |
| | | 1-2, 4-5 | 1c, 5d, 6c | 1a, 3b, 4b | 6 | 3-2232559-6 |
| | | 2-3, 5-6 | 1c, 6d | 1b, 2a, 3a, 4b, 5a, 5b, 6b | 6 | 2-2232559-6 |
| | | 1-2, 5-6 | 4d | 2b, 6b | 6 | 1-2232559-6 |
| | | 1-2, 4-5 | 3c, 6d | 1b | 6 | 2232559-6 |
| | | 1-2, 4-5 | 3d | 3b | 5 | 8-2232559-5 |
| | | 1-2, 4-5 | 3d | 1a, 4a | 5 | 7-2232559-5 |
| | | 1-2, 4-5 | 1c, 2d, 3c, 5d | 1a, 5b | 5 | 6-2232559-5 |
| | | 1-2, 4-5 | 1c, 2d, 4c | 2a, 2b, 4a, 5b | 5 | 5-2232559-5 |
| | | 1-2, 3-4 | 1c, 2d, 4d | 2a, 4b | 5 | 4-2232559-5 |
| | | 1-2, 3-4 | 1c, 2d, 3c, 5d | 1a, 5b | 5 | 3-2232559-5 |
| | | 2-3 | 3d, 4c | 1a, 5b | 5 | 2-2232559-5 |
| | | 1-2, 3-4 | 2d, 5d | 2b | 5 | 1-2232559-5 |
| | | 1-2, 4-5 | 2d | 2b | 5 | 2232559-5 |
| | | 1-2, 3-4 | 2d, 3c, 4d | 1b, 2a, 4b | 4 | 7-2232559-4 |
| | | 1-2, 3-4 | 2d, 3c, 4d | 1a, 2a, 3b, 4a | 4 | 6-2232559-4 |
| | | 1-2, 3-4 | 2d, 3c | 1b, 2a, 2b, 3b, 4b | 4 | 5-2232559-4 |
| | | 1-2, 3-4 | 2d | 2a, 4b | 4 | 4-2232559-4 |
| | | 1-2, 3-4 | 4d | 1a, 3a | 4 | 3-2232559-4 |
| | | 1-2, 3-4 | 4d | 1a, 4b | 4 | 2-2232559-4 |
| | | 1-2, 3-4 | 1c | 1a, 4b | 4 | 1-2232559-4 |
| | | 1-2, 3-4 | 3c, 4d | 1b | 4 | 2232559-4 |
| | | 1-2 | 1c, 3c | 3b | 3 | 7-2232559-3 |
| | | 1-2 | 1c, 2d | 1b, 2b | 3 | 6-2232559-3 |
| | | 1-2 | 1c | 1a, 3a | 3 | 5-2232559-3 |
| | | 2-3 | 1c, 3d | 3b | 3 | 4-2232559-3 |
| | | 2-3 | 1d, 3d | 3b | 3 | 3-2232559-3 |
| | | 1-2 | 3c | 1a | 3 | 2-2232559-3 |
| | | 2-3 | 1d, 2c | 2b, 3b | 3 | 1-2232559-3 |
| | | 1-2 | 1c, 2d | 1b | 3 | 2232559-3 |
| | | 1-2 | 2d | 1b | 2 | 9-2232559-2 |
| | | 1-2 | - | 1a, 1b, 2a | 2 | 8-2232559-2 |
| | | 1-2 | 1c | 1a, 2a | 2 | 7-2232559-2 |
| | | 1-2 | 1c, 2d | 2b | 2 | 6-2232559-2 |
| | | 1-2 | 1c | 1b, 2b | 2 | 5-2232559-2 |
| | | 1-2 | 2d | 1b, 2a, 2b | 2 | 4-2232559-2 |
| | | 1-2 | 2d | 1a, 2b | 2 | 3-2232559-2 |
| | | 1-2 | 1c, 2d | 2a | 2 | 2-2232559-2 |
| | | 1-2 | 1c | 1a, 2b | 2 | 1-2232559-2 |
| | | 1-2 | 1c, 2d | 1b, 2a | 2 | 2232559-2 |

| COLOR | FINISH TAB POST | LATCH WINDOWS | KEYING | POLARIZATION | NO. OF POS. | PART NUMBER |
|---------|-----------------|--------------------|----------------------------|--|-------------|-------------|
| NATURAL | TIN PLATED | 1-2 | 1c, 2d | 1a, 1b, 2a, 2b | 2 | 6-2232557-2 |
| | | 1-2 | 2d | 1a, 1b | 2 | 5-2232557-2 |
| | | 1-2 | - | 2a, 2b | 2 | 4-2232557-2 |
| | | 1-2 | 1c, 2d | 1a, 2b | 2 | 3-2232557-2 |
| | | 1-2 | 1c | 2a | 2 | 2-2232557-2 |
| | | 1-2 | - | 1a, 1b, 2a, 2b | 2 | 1-2232557-2 |
| | | 1-2 | - | - | 2 | 2232557-2 |
| COLOR | FINISH TAB POST | LATCH WINDOWS | KEYING | POLARIZATION | NO. OF POS. | PART NUMBER |
| | | 1-2, 7-8 | 2d, 4d, 5c, 6d, 8d | 1a, 1b, 2b, 3b, 4a, 4b, 6a, 7a, 8b | 8 | 3-2232532-8 |
| | | 2-3, 7-8 | 2c, 3d, 7c | 8b | 8 | 2-2232532-8 |
| | | 1-2, 3-4, 5-6, 7-8 | 3c, 6d | 4a, 6b | 8 | 1-2232532-8 |
| | | 1-2, 7-8 | 2d, 3c, 6d, 7c | - | 8 | 2232532-8 |
| | | 1-2, 5-6 | 2d, 7c | 2b | 6 | 6-2232532-7 |
| | | 1-2, 5-6 | 3c, 4d, 7c | 1a, 1b, 2a, 2b, 3a, 3b, 4a, 4b, 5a, 5b, 6a, 6b, 7a, 7b | | 5-2232532-7 |
| | | 1-2, 3-4, 5-6 | 1c, 2d, 4d, 7d | 2a, 4b | 7 | 4-2232532-7 |
| | | 1-2, 5-6 | 3d, 7d | 3a, 4a | 7 | 3-2232532-7 |
| | | 1-2, 5-6 | 3c, 4d, 7c | 1a, 6b | 7 | 2-2232532-7 |
| | | 1-2, 4-5, 6-7 | 3c, 5d, 6c, 7d | 1a, 2a, 4a, 4b, 5b, 6a, 6b, 7b | 7 | 1-2232532-7 |
| | | 1-2, 6-7 | 3d, 7d | 5b | 7 | 2232532-7 |
| | | 4-5 | 1c, 1d, 2c, 3d, 5d, 6c, 6d | 1b, 2a, 2b, 3a, 3b, 6a | 6 | 8-2232532-6 |
| | | 1-2, 3-4, 5-6 | 1c, 3c, 6d | 1b, 2a, 3a, 4b, 5a, 5b, 6b | 6 | 7-2232532-6 |
| | | 1-2, 3-4, 5-6 | 1c, 5c, 6d | 1a, 2b, 4a, 5b, 6b | 6 | 6-2232532-6 |
| | | 1-2, 3-4, 5-6 | 2d, 3c, 4d, 5c | 1a, 2b, 4a, 5b, 6b | 6 | 5-2232532-6 |
| | | 1-2, 5-6 | 2d, 4c, 6d | 1b, 2a, 2b, 3a, 6a, 6b | 6 | 4-2232532-6 |
| | | 1-2, 4-5 | 1c, 5d, 6c | 1a, 3b, 4b | 6 | 3-2232532-6 |
| | | 2-3, 5-6 | 1c, 6d | 1b, 2a, 3a, 4b, 5a, 5b, 6b | 6 | 2-2232532-6 |
| | | 1-2, 5-6 | 4d | 2b, 6b | 6 | 1-2232532-6 |
| | | 1-2, 4-5 | 3c, 6d | 1b | 6 | 2232532-6 |
| | | 1-2, 4-5 | 3d | 3b | 5 | 8-2232532-5 |
| | | 1-2, 4-5 | 3d | 1a, 4a | 5 | 7-2232532-5 |
| | | 1-2, 4-5 | 1c, 2d, 3c, 5d | 1a, 5b | 5 | 6-2232532-5 |
| | | 1-2, 4-5 | 1c, 2d, 4c | 2a, 2b, 4a, 5b | 5 | 5-2232532-5 |
| | | 1-2, 3-4 | 1c, 2d, 4d | 2a, 4b | 5 | 4-2232532-5 |
| | | 1-2, 3-4 | 1c, 2d, 3c, 5d | 1a, 5b | 5 | 3-2232532-5 |
| | | 2-3 | 3d, 4c | 1a, 5b | 5 | 2-2232532-5 |
| | | 1-2, 3-4 | 2d, 5d | 2b | 5 | 1-2232532-5 |
| | | 1-2, 4-5 | 2d | 2b | 5 | 2232532-5 |
| | | 1-2, 3-4 | 3c, 4d | 1b | 4 | 8-2232532-4 |
| | | 1-2, 3-4 | 2d, 3c, 4d | 1b, 2a, 4b | 4 | 7-2232532-4 |
| | | 1-2, 3-4 | 2d, 3c, 4d | 1a, 2a, 3b, 4a | 4 | 6-2232532-4 |
| | | 1-2, 3-4 | 2d, 3c | 1b, 2a, 2b, 3b, 4b | 4 | 5-2232532-4 |
| | | 1-2, 3-4 | 2d | 2a, 4b | 4 | 4-2232532-4 |
| | | 1-2, 3-4 | 4d | 1a, 3a | 4 | 3-2232532-4 |
| | | 1-2, 3-4 | 4d | 1a, 4b | 4 | 2-2232532-4 |
| | | 1-2, 3-4 | 1c | 1a, 4b | 4 | 1-2232532-4 |
| | | 1-2, 3-4 | 3c, 4d | 1b | 4 | 2232532-4 |
| | | 2-3 | 1c, 3d | 3b | 3 | 9-2232532-3 |
| | | 1-2 | 1c, 2d | 1b | 3 | 8-2232532-3 |
| | | 1-2 | 1c, 3c | 3b | 3 | 7-2232532-3 |
| | | 1-2 | 1c, 2d | 1b, 2b | 3 | 6-2232532-3 |
| | | 1-2 | 1c | 1a, 3a | 3 | 5-2232532-3 |
| | | 2-3 | 1c, 3d | 3b | 3 | 4-2232532-3 |
| | | 2-3 | 1d, 3d | 3b | 3 | 3-2232532-3 |
| | | 2-3 | 1d, 3d | 3b | 3 | 2-2232532-3 |
| | | 1-2 | 3c | 1a | 3 | 1-2232532-3 |
| | | 2-3 | 1d, 2c | 2b, 3b | 3 | 2232532-3 |
| | | 1-2 | 1c, 2d | 1b | 3 | 2232532-3 |
| | | 1-2 | 2d | 1b | 2 | 9-2232532-2 |
| | | 1-2 | - | 1a, 1b, 2a | 2 | 8-2232532-2 |
| | | 1-2 | 1c | 1a, 2a | 2 | 7-2232532-2 |
| | | 1-2 | 1c, 2d | 2b | 2 | 6-2232532-2 |
| | | 1-2 | 1c | 1b, 2b | 2 | 5-2232532-2 |
| | | 1-2 | 2d | 1b, 2a, 2b | 2 | 4-2232532-2 |
| | | 1-2 | 2d | 1a, 2b | 2 | 3-2232532-2 |
| | | 1-2 | 1c, 2d | 2a | 2 | 2-2232532-2 |
| | | 1-2 | 1c | 1a, 2b | 2 | 1-2232532-2 |
| | | 1-2 | 1c, 2d | 1b, 2a | 2 | 2232532-2 |

THIS DRAWING IS A CONTROLLED DOCUMENT. DIMENSIONS: mm. TOLERANCES UNLESS OTHERWISE SPECIFIED: 0 PLC ±, 1 PLC ±, 2 PLC ±, 3 PLC ±, 4 PLC ±, ANGLES ±. MATERIAL: FINISH. WEIGHT: Customer Drawing. SCALE: 8:1. SHEET 2 OF 4. REV B.

Daniel Zhang, Yuhong Mao, ASSEMBLY POSITIVE LOCK RAST 5, HEADER VERTICAL. A100779-2232532

| LOC | | DIST | | REVISIONS | | | |
|-----|---|------|-----|-------------|------|-----|------|
| | | P | LTN | DESCRIPTION | DATE | OWN | APVD |
| - | - | - | - | SEE SHEET 1 | - | - | - |



PICTORIAL VIEW KEY

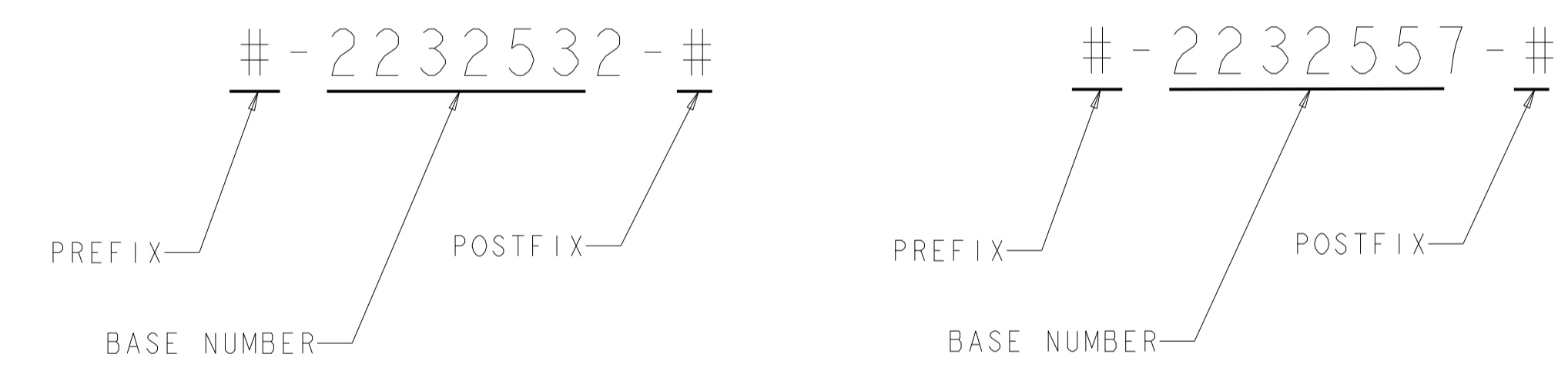
| | | | | | | | | | | | | | | | |
|--|---|-----------------------------|---|-------|---|-------|---|-------|---|-------|---|--------|---|--------------|---------------|
| THIS DRAWING IS A CONTROLLED DOCUMENT. | | OWN: DANIEL ZHANG 02AUG2013 | TE Connectivity | | | | | | | | | | | | |
| DIMENSIONS: mm | | CHK: DANIEL ZHANG 02AUG2013 | | | | | | | | | | | | | |
| TOLERANCES UNLESS OTHERWISE SPECIFIED: | | APVD: YUHONG MAO 02AUG2013 | NAME: ASSEMBLY, POSITIVE LOCK RAST 5, HEADER VERTICAL | | | | | | | | | | | | |
| <table border="1"> <tr><td>0 PLC</td><td>±</td></tr> <tr><td>1 PLC</td><td>±</td></tr> <tr><td>2 PLC</td><td>±</td></tr> <tr><td>3 PLC</td><td>±</td></tr> <tr><td>4 PLC</td><td>±</td></tr> <tr><td>ANGLES</td><td>±</td></tr> </table> | | 0 PLC | ± | 1 PLC | ± | 2 PLC | ± | 3 PLC | ± | 4 PLC | ± | ANGLES | ± | PRODUCT SPEC | SIZE: A100779 |
| 0 PLC | ± | | | | | | | | | | | | | | |
| 1 PLC | ± | | | | | | | | | | | | | | |
| 2 PLC | ± | | | | | | | | | | | | | | |
| 3 PLC | ± | | | | | | | | | | | | | | |
| 4 PLC | ± | | | | | | | | | | | | | | |
| ANGLES | ± | | | | | | | | | | | | | | |
| MATERIAL: - | | APPLICATION SPEC | DRAWING NO: C=2232532 | | | | | | | | | | | | |
| FINISH: - | | WEIGHT: - | RESTRICTED TO: - | | | | | | | | | | | | |
| Customer Drawing | | SCALE: 8:1 | SHEET 3 OF 4 REV B | | | | | | | | | | | | |

| REVISONS | | DATE | OWN | APVD |
|----------|-----|------|-----|------|
| P | LTN | | | |
| | | | | |
| | | | | |
| | | | | |

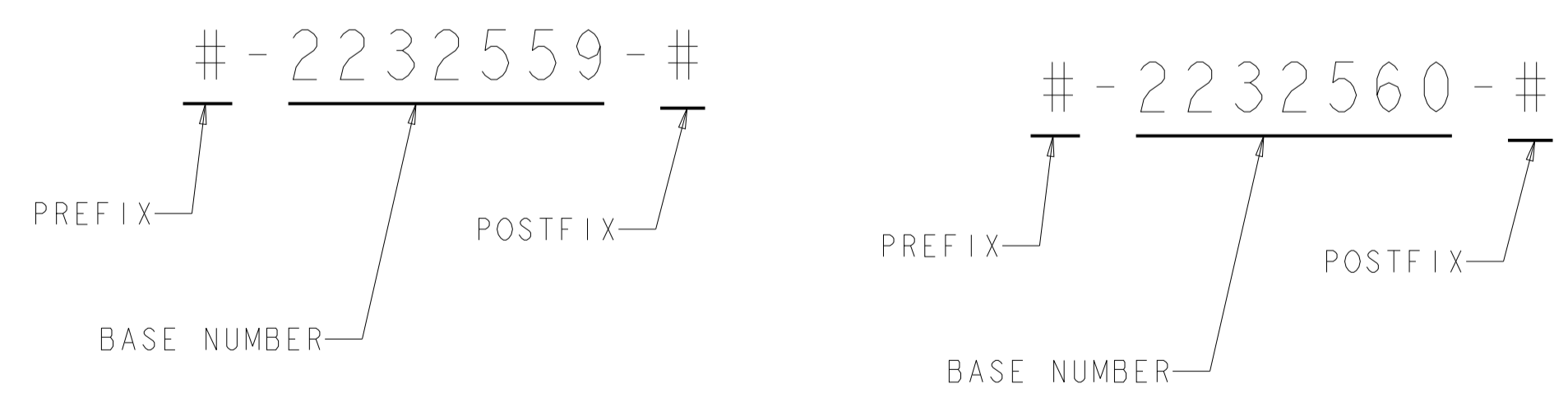
NOTES:
 1. FOR TAB HEADER COLOR CHOICE, THERE ARE EIGHT COLORS AVAILABLE, BESIDES THE NATURAL COLOR, THERE ARE OTHER SEVEN COLORS, INCLUDE: YELLOW, BLUE, GREY, PURPLE, RED, GREEN, BLACK. THE P/N OF THE COLOR TAB HEADER ARE BASED ON THE NATURAL TAB HEADER, THE PREFIX AND POSTFIX ARE THE SAME.
 2. MORE INFORMATION SEE COMMENTS IN RIGHT COLUMN OF BELOW CHART.

| COLOR | PART NUMBER OF THE HOUSING | | PART NUMBER OF TAB HEADER | | | | COMMENTS |
|---------|----------------------------|-------------|---------------------------|-------------|----------------------------|-------------|---|
| | | | WITH TIN PLATED CONTACT | | WITH SILVER PLATED CONTACT | | |
| NATURAL | *-1971849-* | *-1971893-* | #-2232532-# | #-2232557-# | #-2232559-# | #-2232560-# | THE DETAILS OF CONFIGURATION SEE SHEET 5&6. |
| RED | *-1971942-* | *-1971944-* | #-2232562-# | #-2232563-# | #-2232565-# | #-2232566-# | IF THE PREFIX AND POSTFIX NUMBERS OF DIFFERENT COLOR HEADER ARE SAME AS THE ONES OF THE NATURAL TAB HEADER AND THEY ARE IN SAME COLUMN, SO THEY SHOULD HAVE THE SAME CONFIGURATION: SAME KEYING, POLARIZATION AND LATCH WINDOW. |
| BLUE | *-1971950-* | *-1971952-* | #-2232568-# | #-2232569-# | #-2232571-# | #-2232572-# | |
| YELLOW | *-2232012-* | *-2232014-* | #-2232574-# | #-2232575-# | #-2232577-# | #-2232578-# | FOR DIFFERENT BASE NUMBER OF SAME COLOR HEADER, ONLY DIFFERENCE IS CONFIGURATION (KEYING, POLARIZATION AND LATCH WINDOW). |
| BLACK | *-2232004-* | *-2232006-* | #-2232580-# | #-2232581-# | #-2232583-# | #-2232584-# | |
| GREY | *-2232020-* | *-2232022-* | #-2232586-# | #-2232587-# | #-2232589-# | #-2232590-# | THE RELATED HOUSING PART NUMBERS OF DIFFERENT COLOR TAB HEADER ARE ALSO BASED ON NATURAL HOUSING, ONLY THE BASE NUMBER IS DIFFERENT, THE DETAILS SEE BOM IN SHEET 2,3&4. |
| GREEN | *-1971958-* | *-1971960-* | #-2232592-# | #-2232593-# | #-2232595-# | #-2232596-# | |
| PURPLE | *-2232028-* | *-2232030-* | #-2232598-# | #-2232599-# | #-2232601-# | #-2232602-# | THE "*" AND "#" CAN BE THE NUMBER FROM 0 TO 9. |
| WHITE | *-2232293-* | *-2232295-* | #-2232604-# | #-2232605-# | #-2232607-# | #-2232608-# | |

**PART NUMBERS OF NATURAL COLOR TAB HEADER WITH TIN PLATED:



**PART NUMBERS OF NATURAL COLOR TAB HEADER WITH SILVER PLATED:



| | | | |
|---|--|-----------------------------|---|
| THIS DRAWING IS A CONTROLLED DOCUMENT. | | OWN: DANIEL ZHANG 02AUG2013 | TE Connectivity |
| DIMENSIONS: mm | | CHK: DANIEL ZHANG 02AUG2013 | |
| TOLERANCES UNLESS OTHERWISE SPECIFIED: | | APVD: YUHONG MAO 02AUG2013 | NAME: ASSEMBLY, POSITIVE LOCK RAST 5, HEADER VERTICAL |
| 0 PLC ± 1 PLC ± 2 PLC ± 3 PLC ± 4 PLC ± ANGLES ± | | PRODUCT SPEC: - | SIZE: A1 |
| MATERIAL: - | | APPLICATION SPEC: - | CAGE CODE: 00779 |
| FINISH: - | | WEIGHT: - | DRAWING NO: C=2232532 |
| Customer Drawing | | SCALE: 8:1 | SHEET 4 OF 4 REV B |

X-ON Electronics

Largest Supplier of Electrical and Electronic Components

Click to view similar products for [Headers & Wire Housings](#) category:

Click to view products by [TE Connectivity](#) manufacturer:

Other Similar products are found below :

[892-18-020-10-001101](#) [58102-G61-06LF](#) [582553-1](#) [0009485154](#) [009176003701906](#) [0050291907](#) [LY20-4P-DT1-P1E-BR](#) [02.125.8002.8](#)
[609-3404](#) [61062-3](#) [61082-181009](#) [622-3653LF](#) [63453-116](#) [636-1030](#) [636-1427](#) [636-3427](#) [636-4007](#) [641938-9](#) [641991-4](#) [644827-2](#) [65817-](#)
[010LF](#) [65817-015LF](#) [65863-015LF](#) [66207-023LF](#) [67095-007LF](#) [67601157](#) [68645-018](#) [68648-049](#) [70.362.1628.0](#) [70-4210](#) [70-4226B](#) [70-](#)
[4853B](#) [707-5020](#) [707-5028](#) [71.350.2428.0](#) [71918-208LF](#) [71961-016LF](#) [733-134](#) [733-162](#) [754199-000](#) [760-3052](#) [787-8014-00](#) [79531-3000](#)
[FCN-360C032-B](#) [FCN-367T-T012/H](#) [FCN-723D010/2](#) [80.063.4001.1](#) [800-90-001-10-001000](#) [800-90-010-10-002000](#) [801-43-002-10-013000](#)